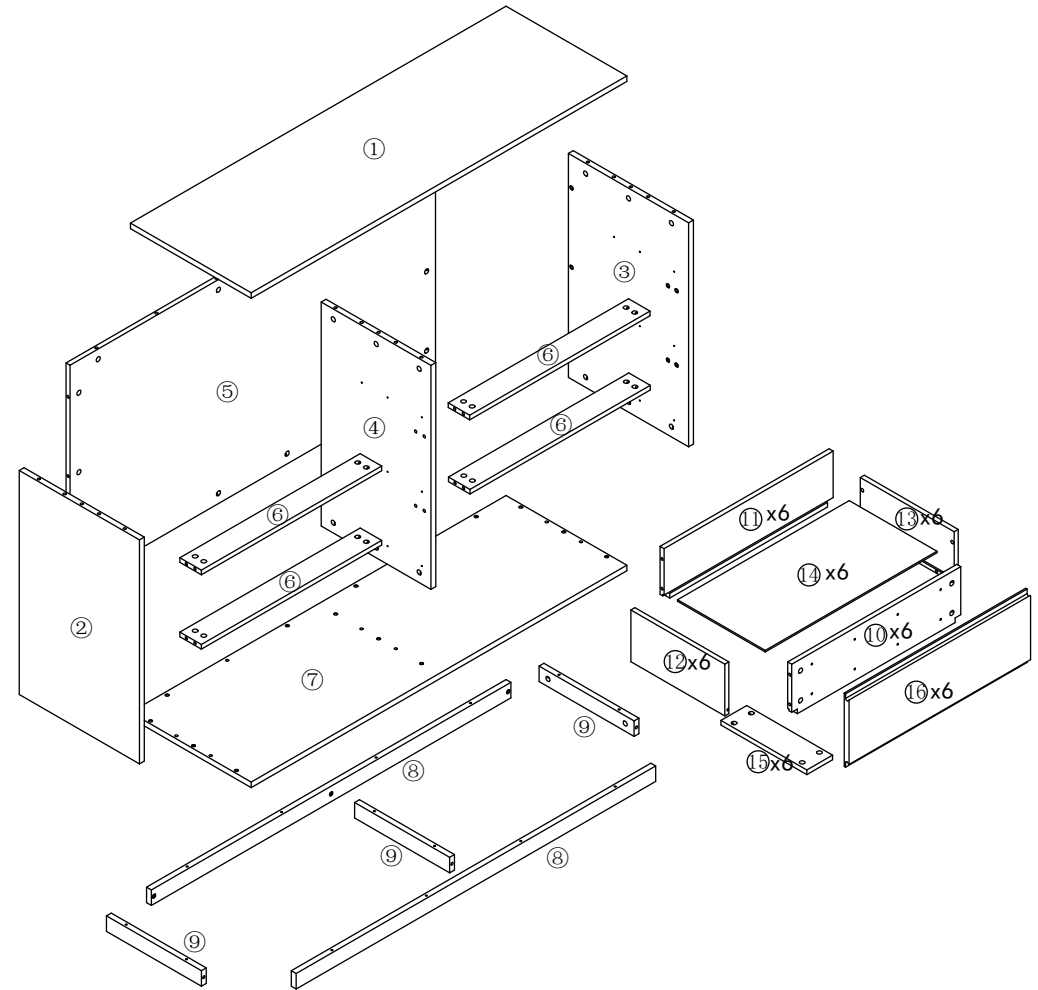
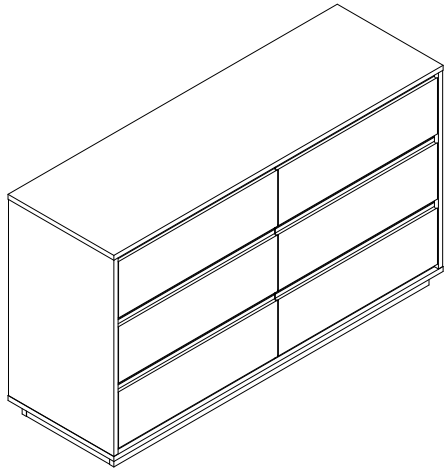



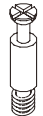
Assembly Instructions


55" Sideboard


PLEASE NOTE: Check that you have received all components and hardware before assembling. If you are missing any parts, contact your retailer.

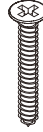



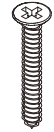
- 
A (16 pcs)
 Ø8x30mm

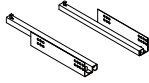

B (116 pcs)
 M7x35mm



C (116 pcs)
 M7x35mm

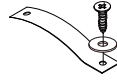
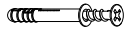

D (116 pcs)
 Ø20x1mm

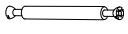

E (14 pcs)
 M4x35mm
- 
F (13 pcs)
 Ø10x3mm


G (48 pcs)
 M4x20mm


H (6 pcs)
 350mm


I (48 pcs)
 M4x15mm


J (2 pcs)
- 
K (2 pcs)


L (8 pcs)
 Øx80mm

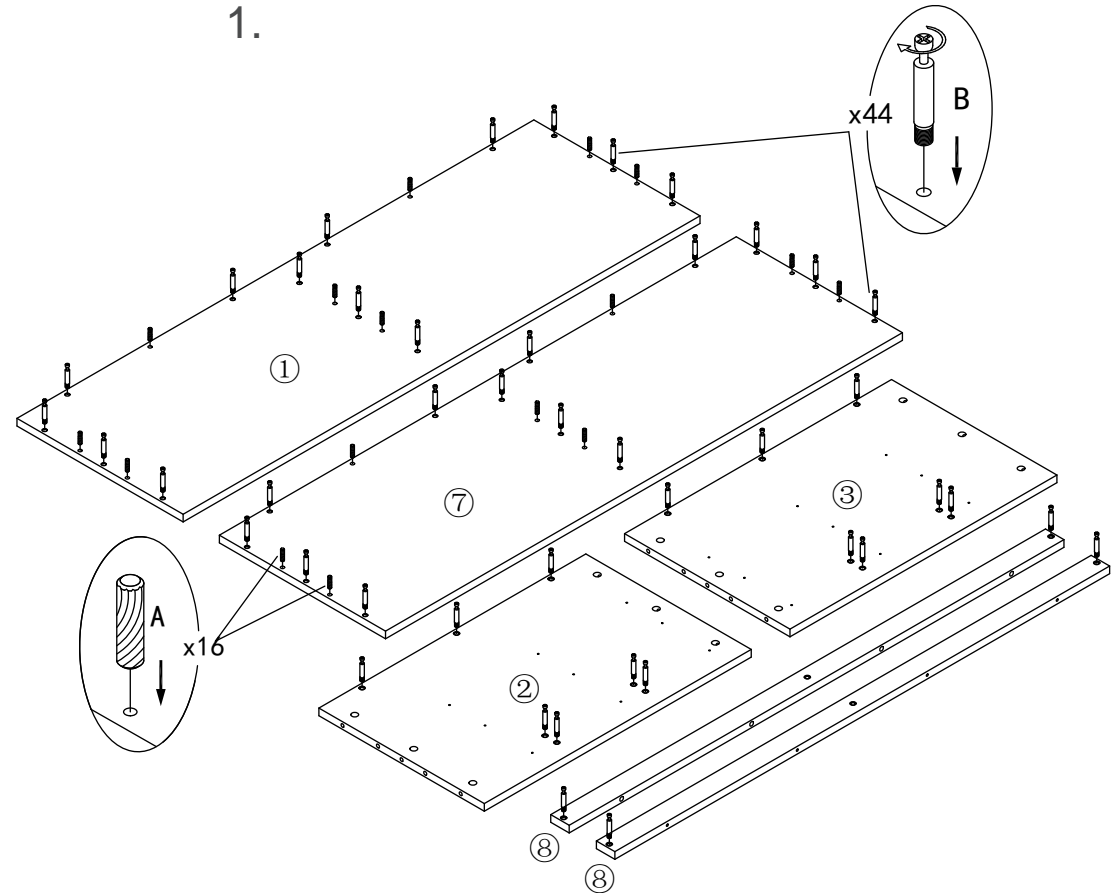
During assembly, hand tighten screws only. When all screws are in place, then tighten completely.


Assembly Instructions

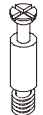
55" Sideboard


PLEASE NOTE: Check that you have received all components and hardware before assembling. If you are missing any parts, contact your retailer.


1.

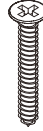




- 
A (16 pcs)
 Ø8x30mm

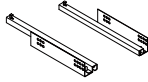

B (116 pcs)
 M7x35mm



C (116 pcs)
 M7x35mm

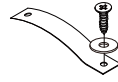
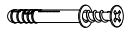

D (116 pcs)
 Ø20x1mm

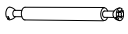

E (14 pcs)
 M4x35mm
- 
F (13 pcs)
 Ø10x3mm


G (48 pcs)
 M4x20mm


H (6 pcs)
 350mm


I (48 pcs)
 M4x15mm


J (2 pcs)
- 
K (2 pcs)


L (8 pcs)
 Øx80mm

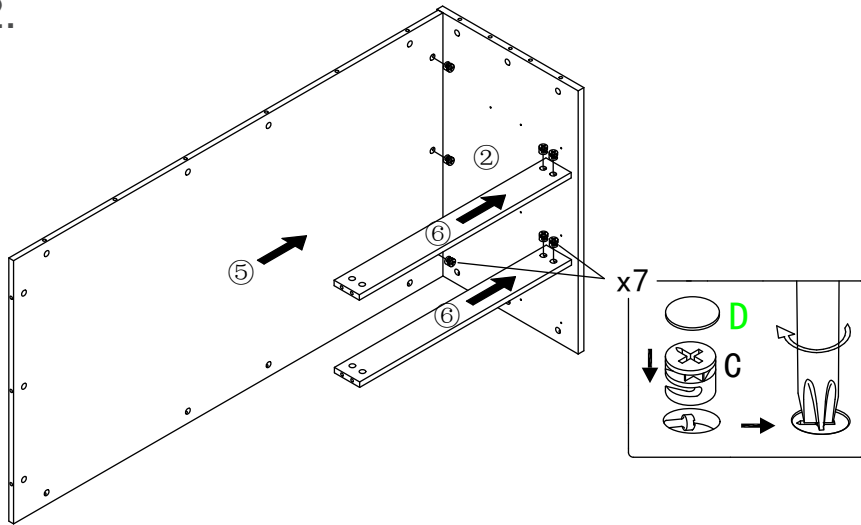
During assembly, hand tighten screws only. When all screws are in place, then tighten completely.

Assembly Instructions

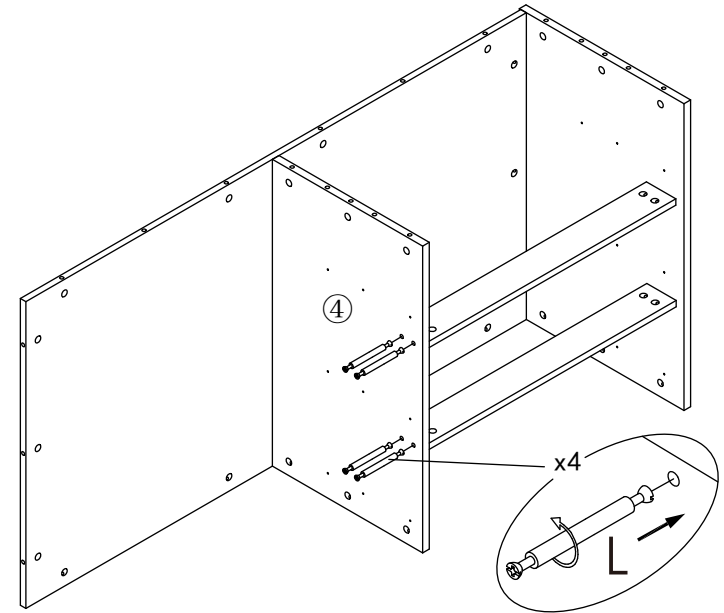
55" Sideboard


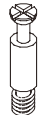


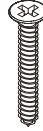

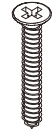
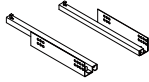

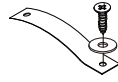
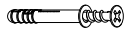
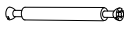
PLEASE NOTE: Check that you have received all components and hardware before assembling. If you are missing any parts, contact your retailer.

2.



3.



- | | | | | |
|---|---|---|---|---|
|  |  |  |  |  |
| A (16 pcs)
Ø8x30mm | B (116 pcs)
M7x35mm | C (116 pcs)
M7x35mm | D (116 pcs)
Ø20x1mm | E (14 pcs)
M4x35mm |
|  |  |  |  |  |
| F (13 pcs)
Ø10x3mm | G (48 pcs)
M4x20mm | H (6 pcs)
350mm | I (48 pcs)
M4x15mm | J (2 pcs) |
|  |  | | | |
| K (2 pcs) | L (8 pcs)
Øx80mm | | | |

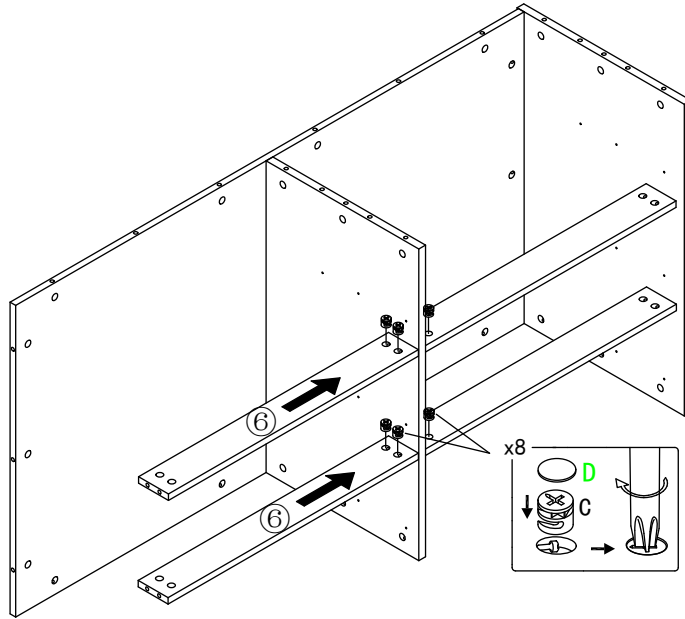
During assembly, hand tighten screws only. When all screws are in place, then tighten completely.

Assembly Instructions

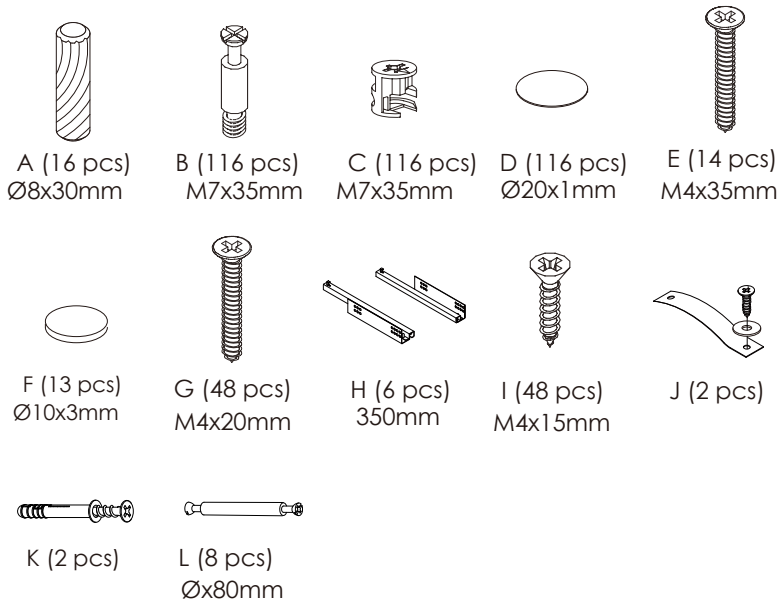
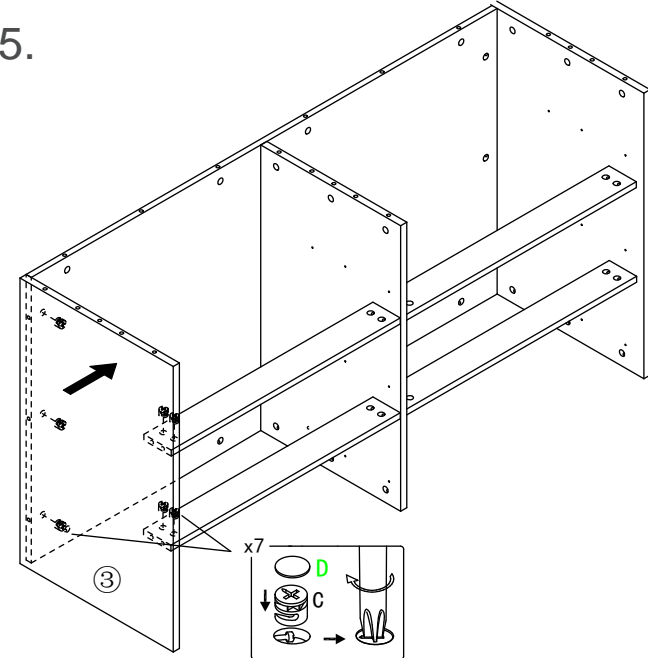
55" Sideboard

PLEASE NOTE: Check that you have received all components and hardware before assembling. If you are missing any parts, contact your retailer.

4.



5.



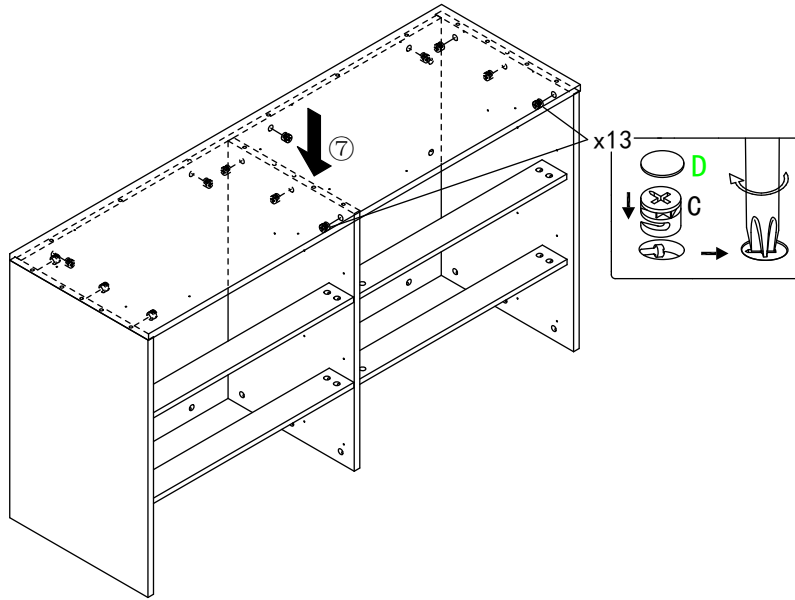
During assembly, hand tighten screws only. When all screws are in place, then tighten completely.

Assembly Instructions

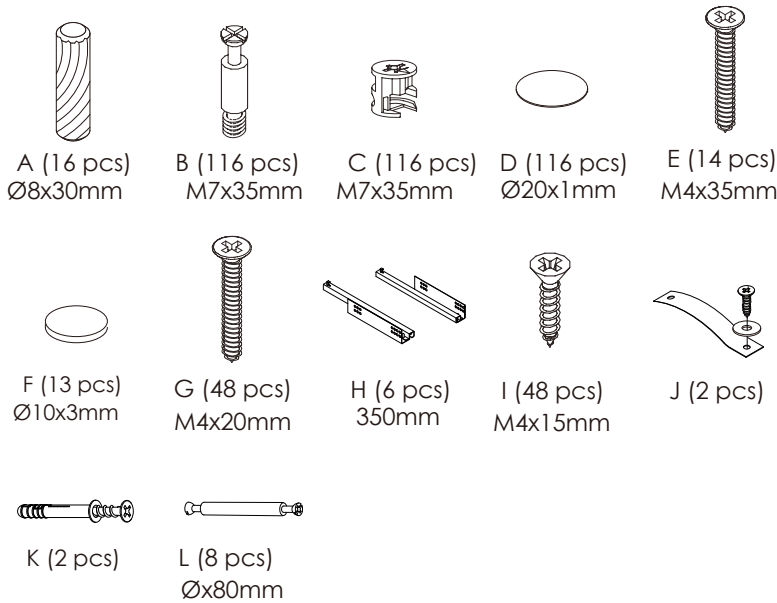
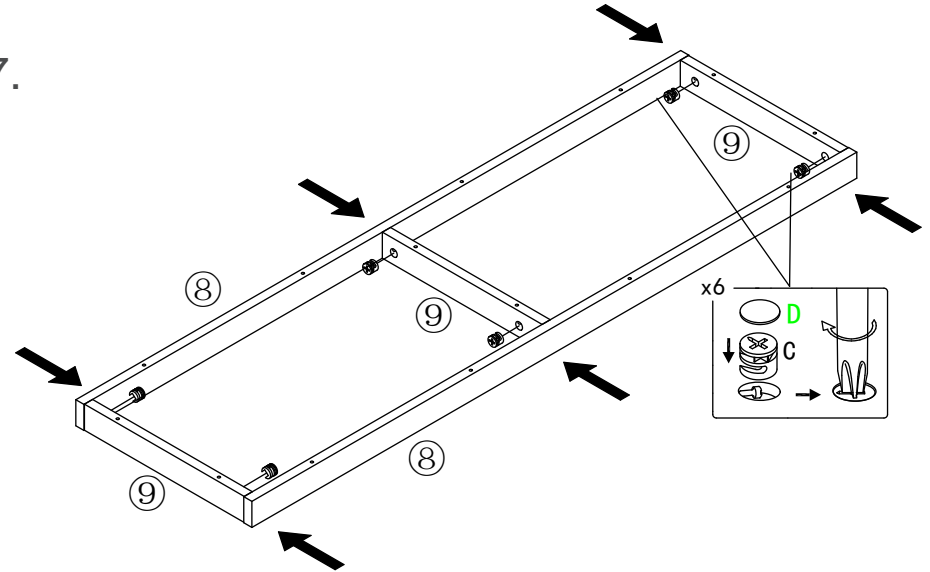
55" Sideboard

PLEASE NOTE: Check that you have received all components and hardware before assembling. If you are missing any parts, contact your retailer.

6.



7.

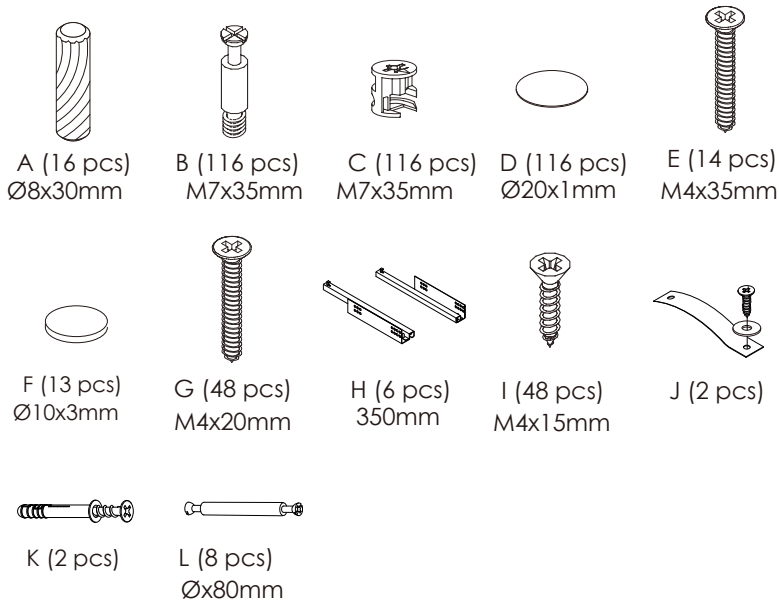
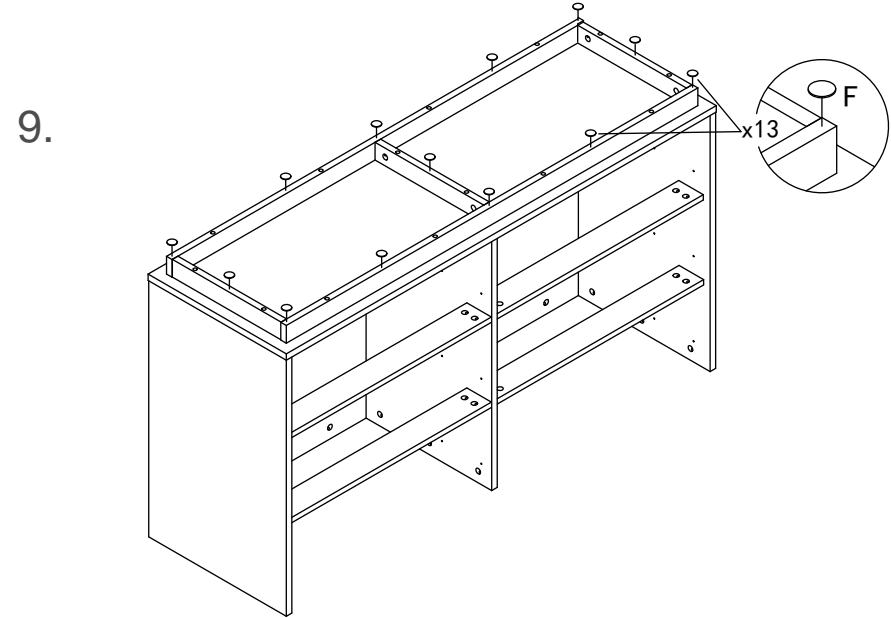
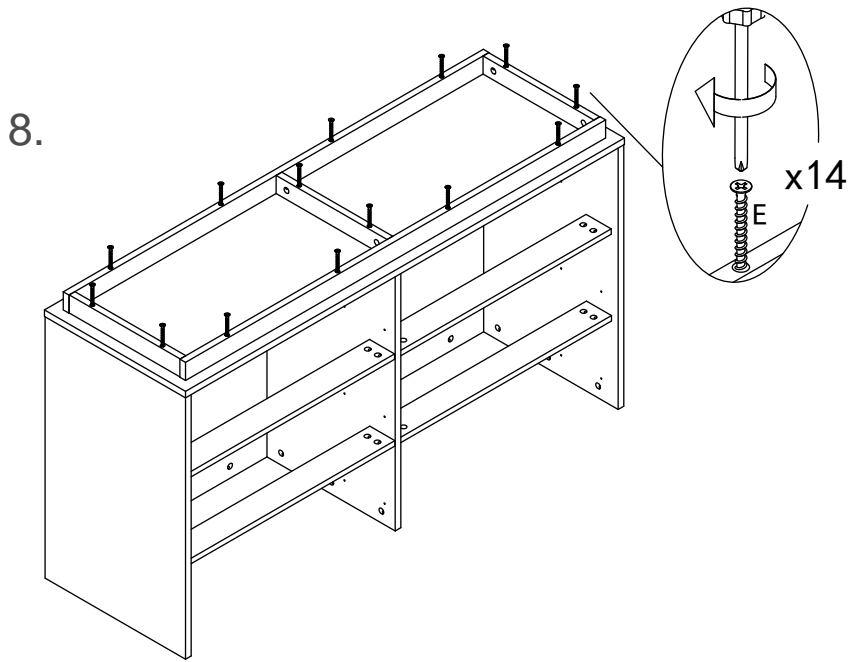


During assembly, hand tighten screws only. When all screws are in place, then tighten completely.

Assembly Instructions

55" Sideboard

PLEASE NOTE: Check that you have received all components and hardware before assembling. If you are missing any parts, contact your retailer.



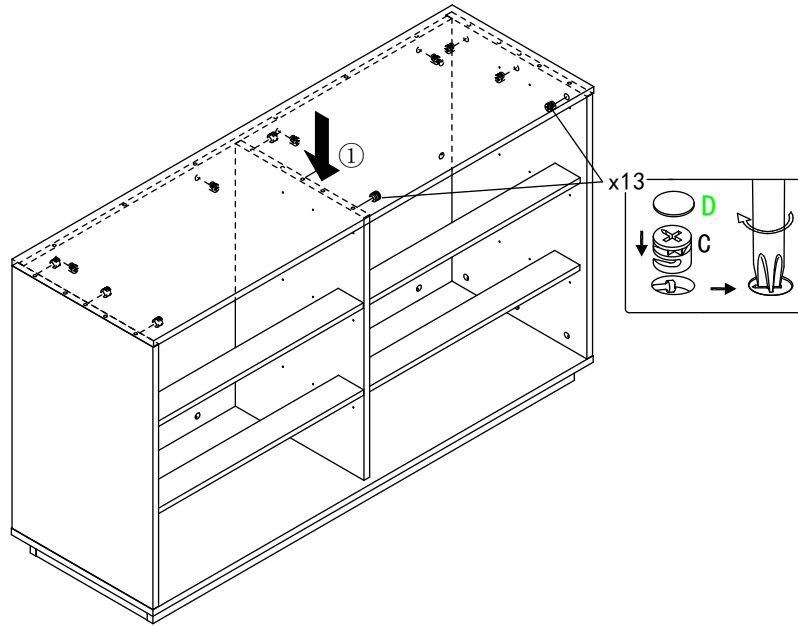
During assembly, hand tighten screws only. When all screws are in place, then tighten completely.

Assembly Instructions

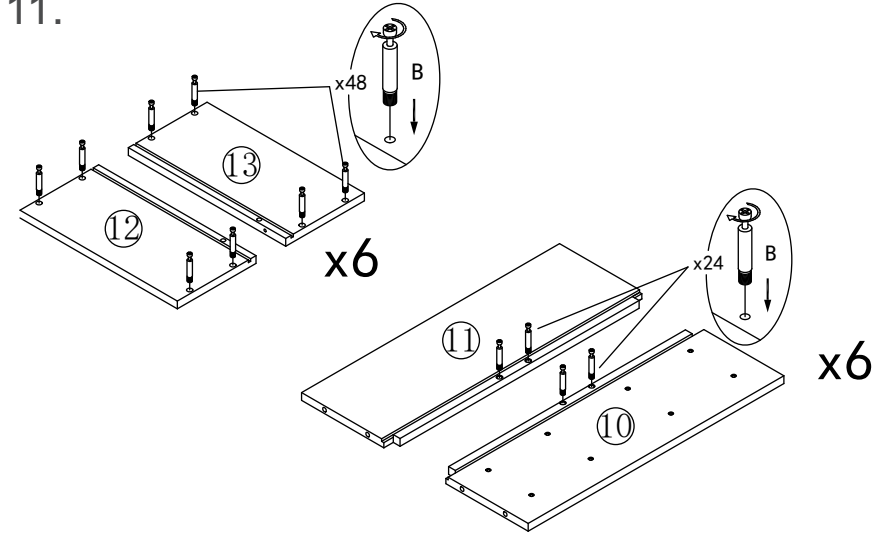
55" Sideboard


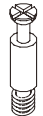


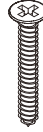

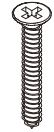
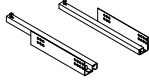

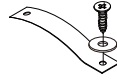
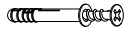
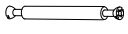
PLEASE NOTE: Check that you have received all components and hardware before assembling. If you are missing any parts, contact your retailer.

10.



11.



- | | | | | |
|---|---|---|---|---|
|  |  |  |  |  |
| A (16 pcs)
Ø8x30mm | B (116 pcs)
M7x35mm | C (116 pcs)
M7x35mm | D (116 pcs)
Ø20x1mm | E (14 pcs)
M4x35mm |
|  |  |  |  |  |
| F (13 pcs)
Ø10x3mm | G (48 pcs)
M4x20mm | H (6 pcs)
350mm | I (48 pcs)
M4x15mm | J (2 pcs) |
|  |  | | | |
| K (2 pcs) | L (8 pcs)
Øx80mm | | | |

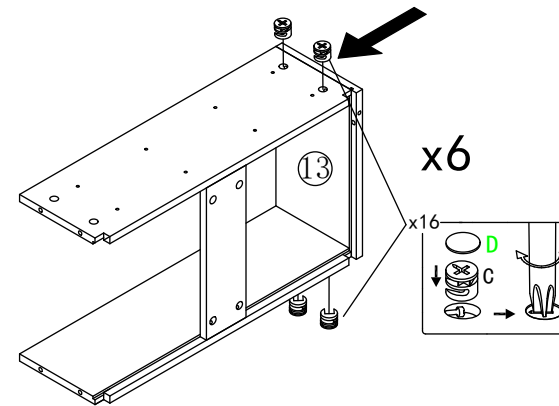
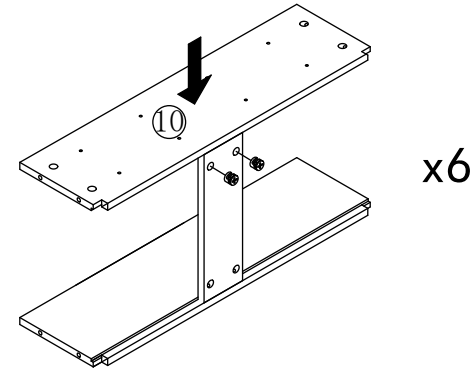
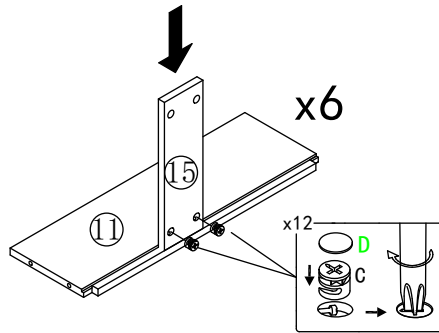
During assembly, hand tighten screws only. When all screws are in place, then tighten completely.


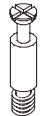


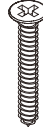


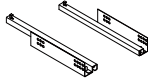

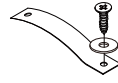
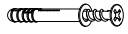
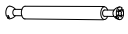
Assembly Instructions

55" Sideboard

PLEASE NOTE: Check that you have received all components and hardware before assembling. If you are missing any parts, contact your retailer.

12.



- | | | | | |
|---|---|---|---|---|
|  |  |  |  |  |
| A (16 pcs)
Ø8x30mm | B (116 pcs)
M7x35mm | C (116 pcs)
M7x35mm | D (116 pcs)
Ø20x1mm | E (14 pcs)
M4x35mm |
|  |  |  |  |  |
| F (13 pcs)
Ø10x3mm | G (48 pcs)
M4x20mm | H (6 pcs)
350mm | I (48 pcs)
M4x15mm | J (2 pcs) |
|  |  | | | |
| K (2 pcs) | L (8 pcs)
Øx80mm | | | |

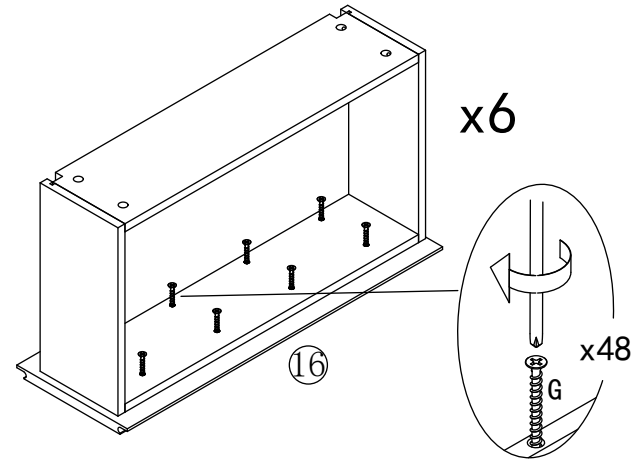
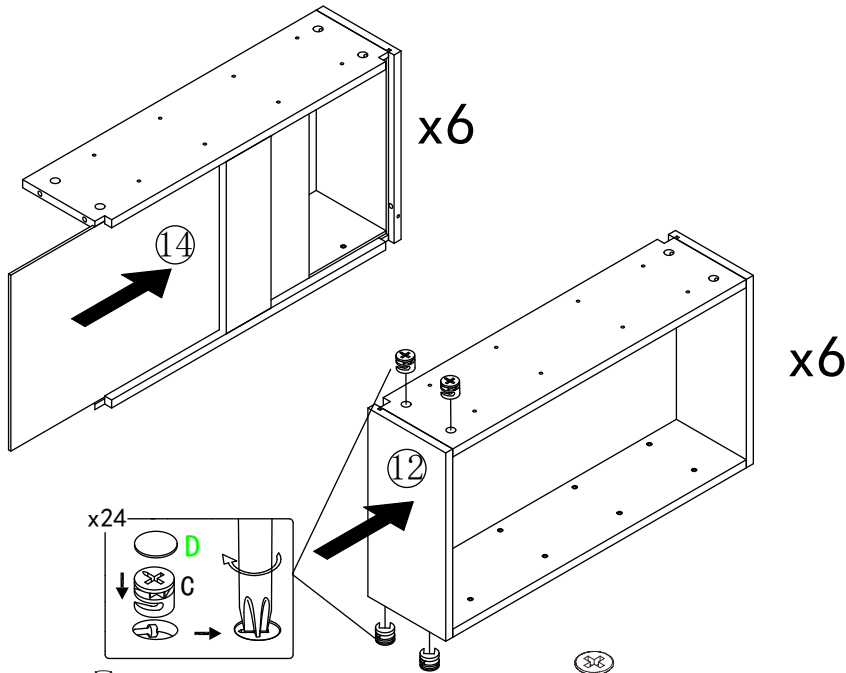
During assembly, hand tighten screws only. When all screws are in place, then tighten completely.

Assembly Instructions

55" Sideboard

PLEASE NOTE: Check that you have received all components and hardware before assembling. If you are missing any parts, contact your retailer.

13.



- A (16 pcs) Ø8x30mm
- B (116 pcs) M7x35mm
- C (116 pcs) M7x35mm
- D (116 pcs) Ø20x1mm
- E (14 pcs) M4x35mm
- F (13 pcs) Ø10x3mm
- G (48 pcs) M4x20mm
- H (6 pcs) 350mm
- I (48 pcs) M4x15mm
- J (2 pcs)
- K (2 pcs)
- L (8 pcs) Øx80mm

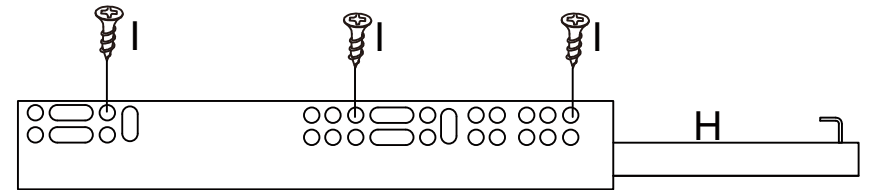
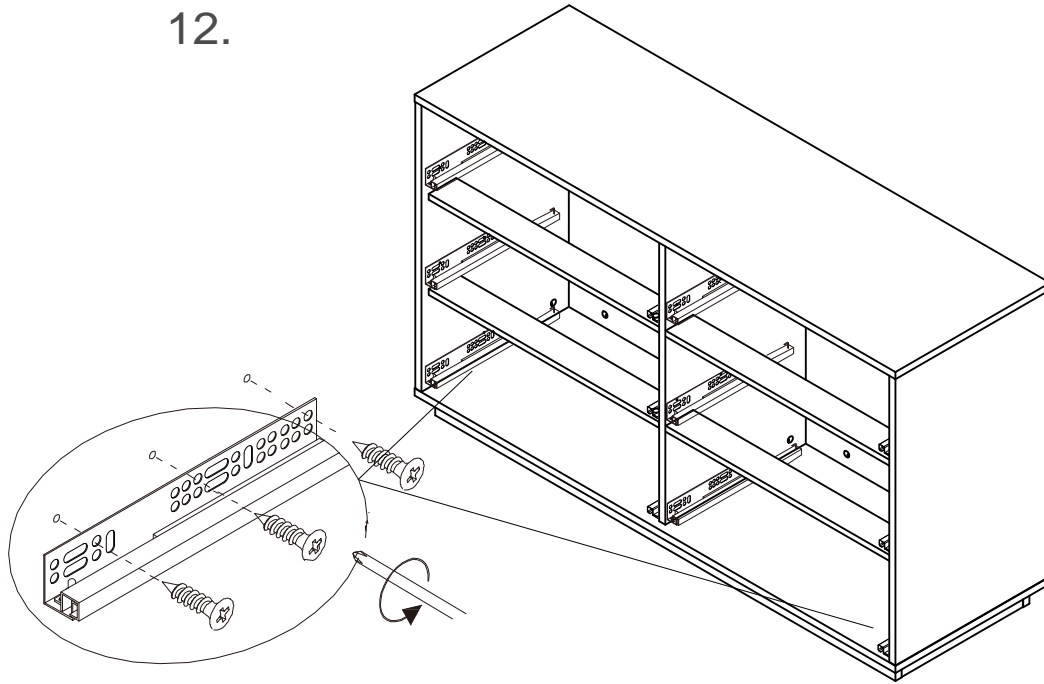
During assembly, hand tighten screws only. When all screws are in place, then tighten completely.


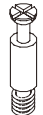


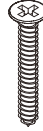

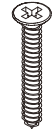
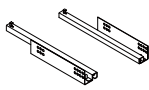

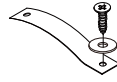
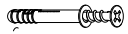
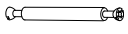
Assembly Instructions

55" Sideboard

PLEASE NOTE: Check that you have received all components and hardware before assembling. If you are missing any parts, contact your retailer.

12.



- | | | | | |
|---|---|---|---|---|
|  |  |  |  |  |
| A (16 pcs)
Ø8x30mm | B (116 pcs)
M7x35mm | C (116 pcs)
M7x35mm | D (116 pcs)
Ø20x1mm | E (14 pcs)
M4x35mm |
|  |  |  |  |  |
| F (13 pcs)
Ø10x3mm | G (48 pcs)
M4x20mm | H (6 pcs)
350mm | I (48 pcs)
M4x15mm | J (2 pcs) |
|  |  | | | |
| K (2 pcs) | L (8 pcs)
Øx80mm | | | |

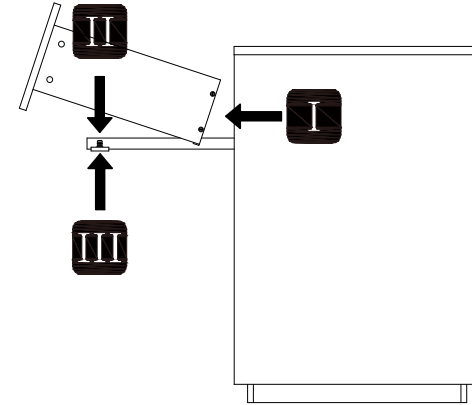
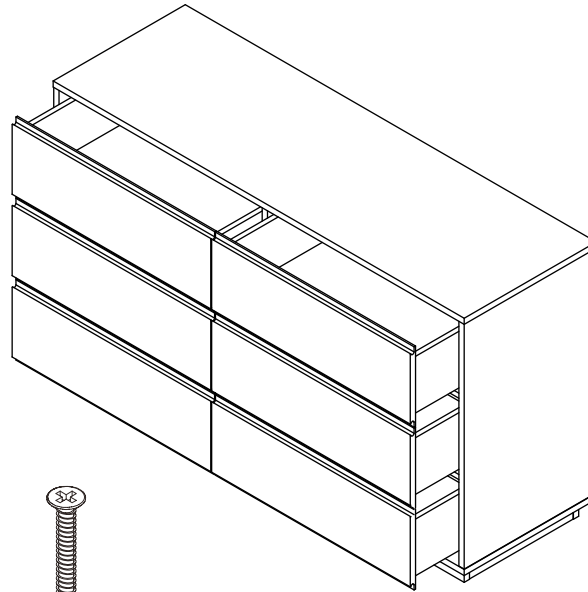
During assembly, hand tighten screws only. When all screws are in place, then tighten completely.


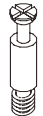


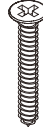


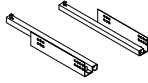

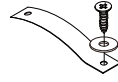
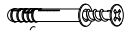
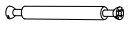
Assembly Instructions

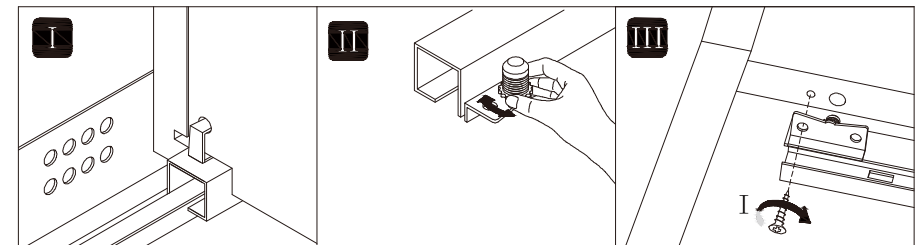
55" Sideboard

PLEASE NOTE: Check that you have received all components and hardware before assembling. If you are missing any parts, contact your retailer.

13.



- 
A (16 pcs)
 Ø8x30mm
- 
B (116 pcs)
 M7x35mm
- 
C (116 pcs)
 M7x35mm
- 
D (116 pcs)
 Ø20x1mm
- 
E (14 pcs)
 M4x35mm
- 
F (13 pcs)
 Ø10x3mm
- 
G (48 pcs)
 M4x20mm
- 
H (6 pcs)
 350mm
- 
I (48 pcs)
 M4x15mm
- 
J (2 pcs)
- 
K (2 pcs)
- 
L (8 pcs)
 Øx80mm



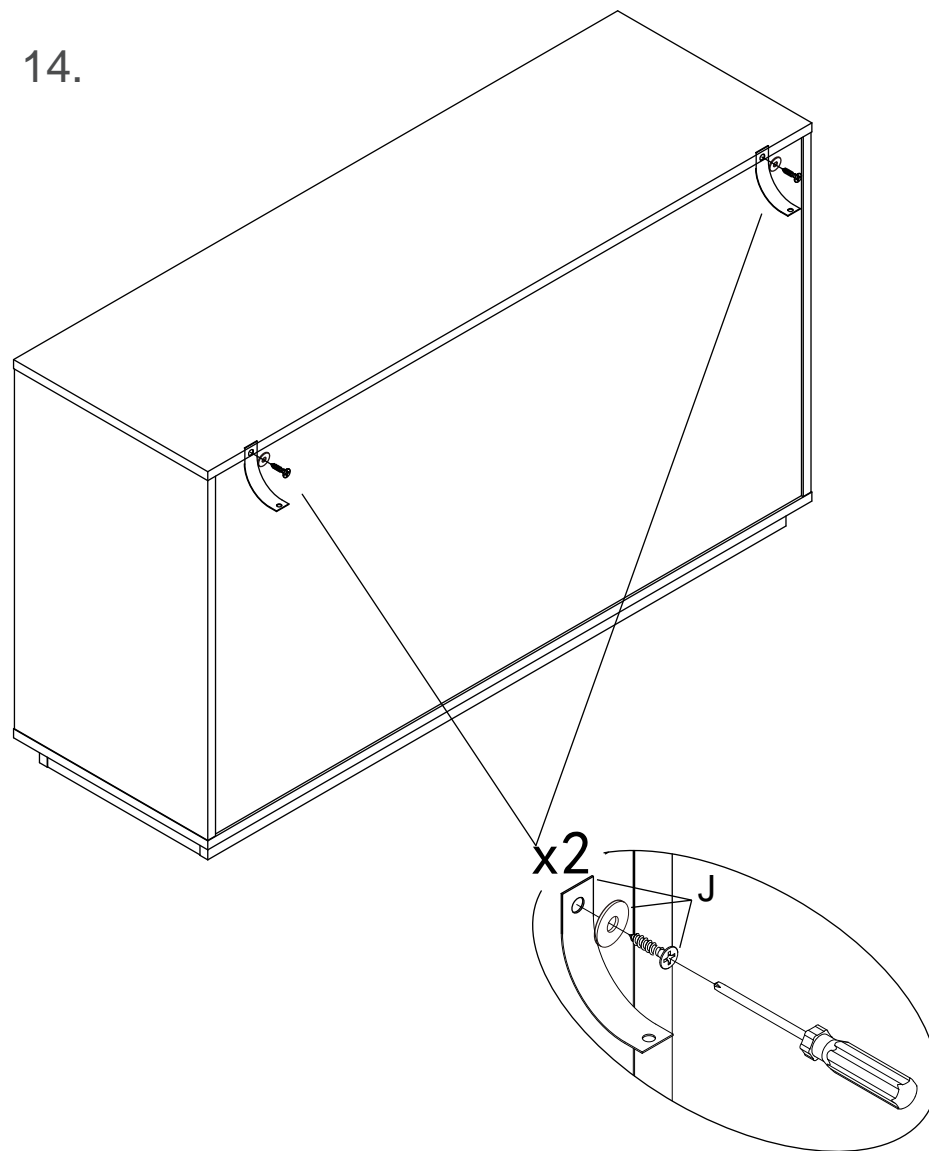
During assembly, hand tighten screws only. When all screws are in place, then tighten completely.


Assembly Instructions

55" Sideboard

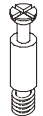
PLEASE NOTE: Check that you have received all components and hardware before assembling. If you are missing any parts, contact your retailer.

14.




- 


A (16 pcs)
Ø8x30mm



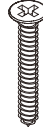
B (116 pcs)
M7x35mm




C (116 pcs)
M7x35mm

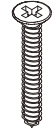


D (116 pcs)
Ø20x1mm

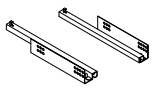


E (14 pcs)
M4x35mm
- 


F (13 pcs)
Ø10x3mm



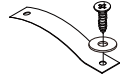
G (48 pcs)
M4x20mm

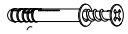


H (6 pcs)
350mm

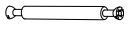


I (48 pcs)
M4x15mm



J (2 pcs)
- 

K (2 pcs)



L (8 pcs)
Øx80mm

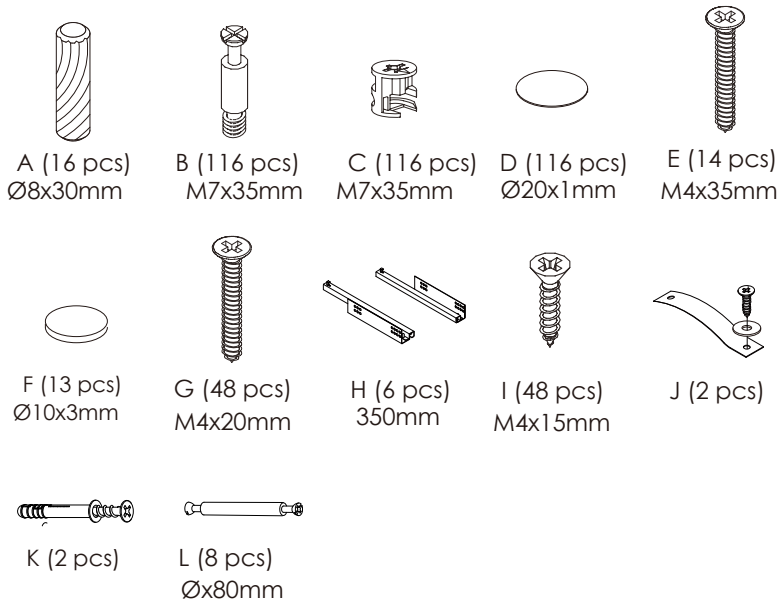
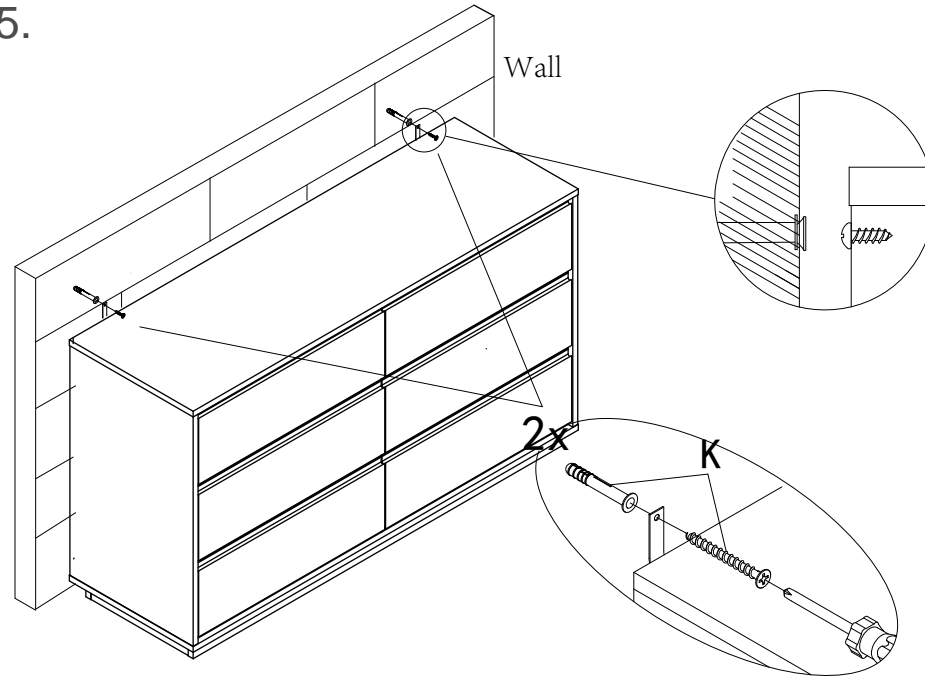
During assembly, hand tighten screws only. When all screws are in place, then tighten completely.

Assembly Instructions

55" Sideboard

PLEASE NOTE: Check that you have received all components and hardware before assembling. If you are missing any parts, contact your retailer.

15.



During assembly, hand tighten screws only. When all screws are in place, then tighten completely.