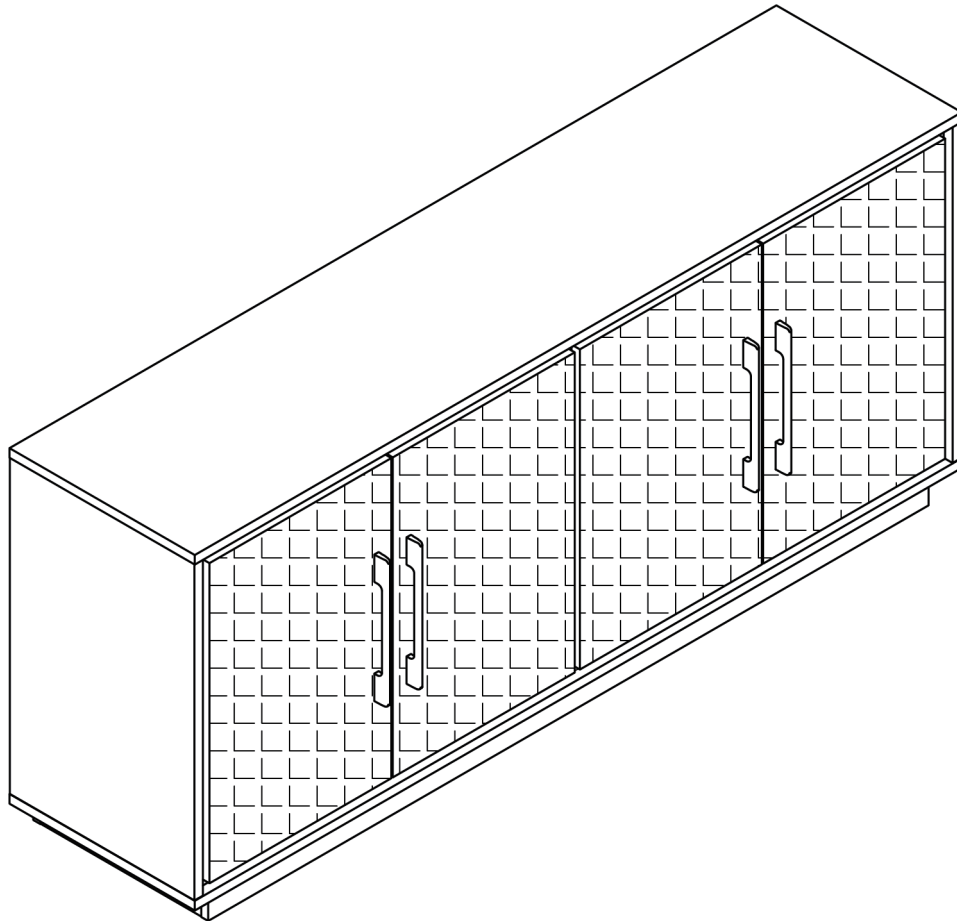


Alto Sideboard



BELLEZE[®]

FOLLOW US:

CONTACT INFO:

ITEM NO. 014-HG-40011



@bellezefurniture

support@belleze.com
1-800-682-6376

The instruction booklet contains **IMPORTANT** safety information. Please read it in full and keep it for future reference.

www.belleze.com

Scan this QR Code
to view our online tutorial

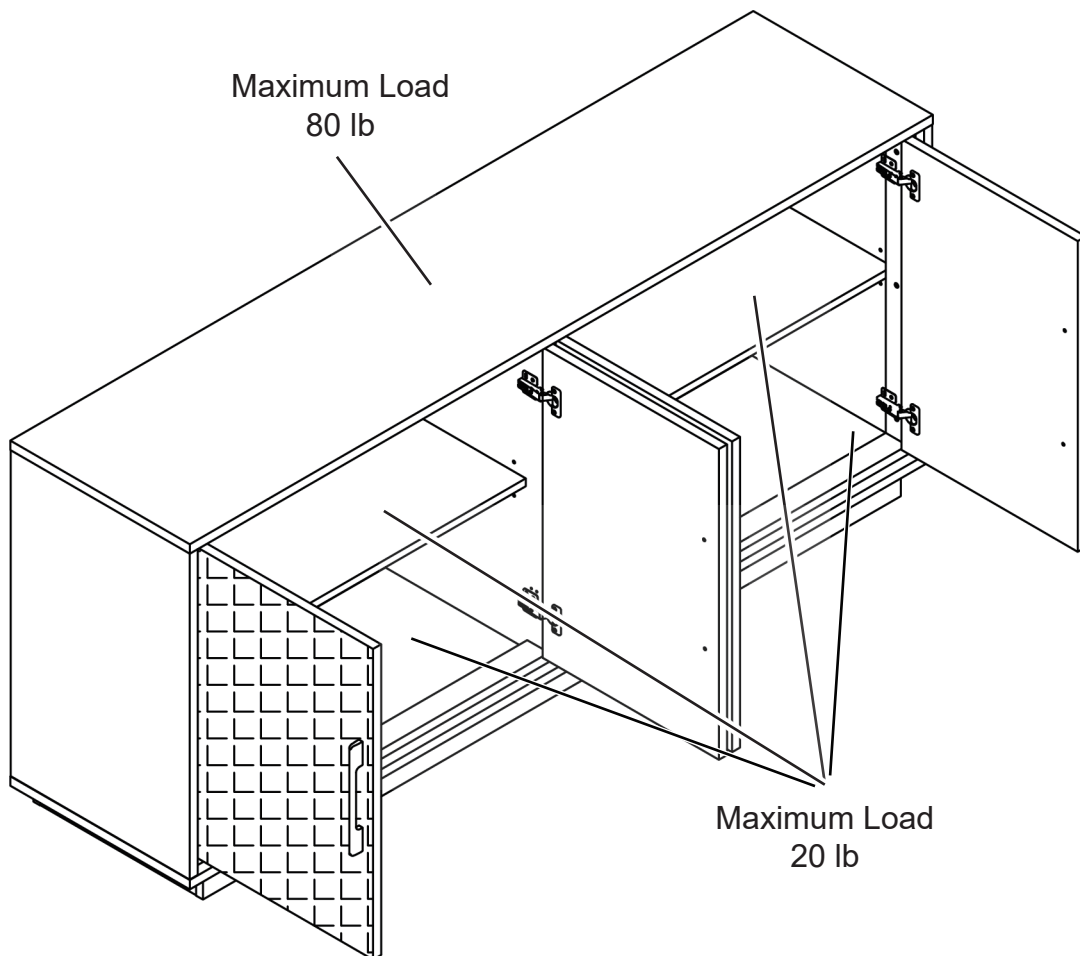


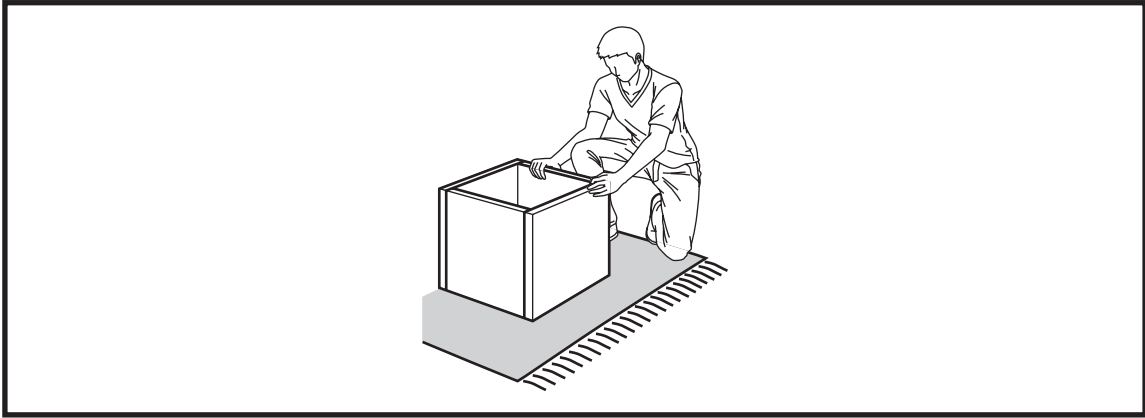
Estimated time for assembly:

90 mins



Weight limitations are as follows:

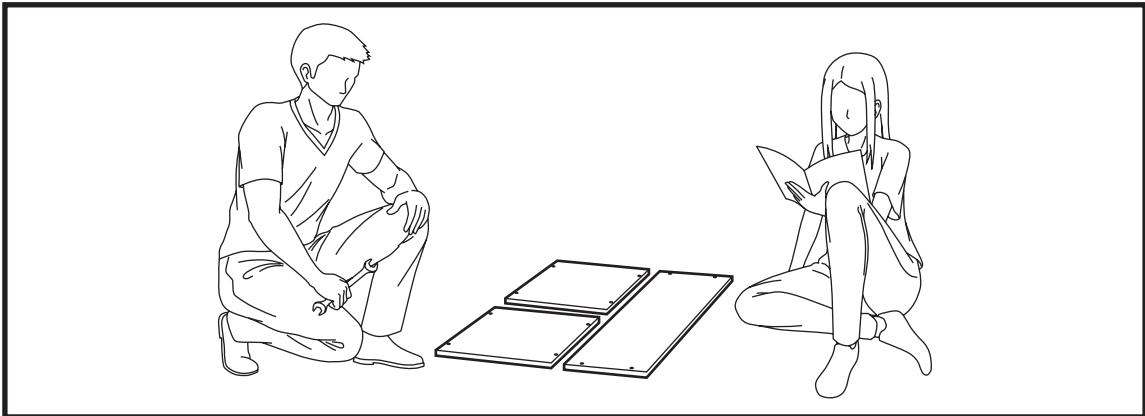




Assemble the furniture on an empty carton, carpet, or rug to prevent scratches or damage.

For safety, please keep pets and children away from the assembly area.

Ensure the product is fully assembled before use. If you are missing any hardware or products, do not use it until you have restored the missing parts.



This furniture requires 2 people for assembly.

Read this instruction manual prior to assembly to familiarize yourself with the various steps.

Lay out all components and hardware separately on a flat surface and make sure that no parts are missing or damaged before assembly. Do not destroy or discard any packaging until you are certain that you have all the necessary parts for assembly.

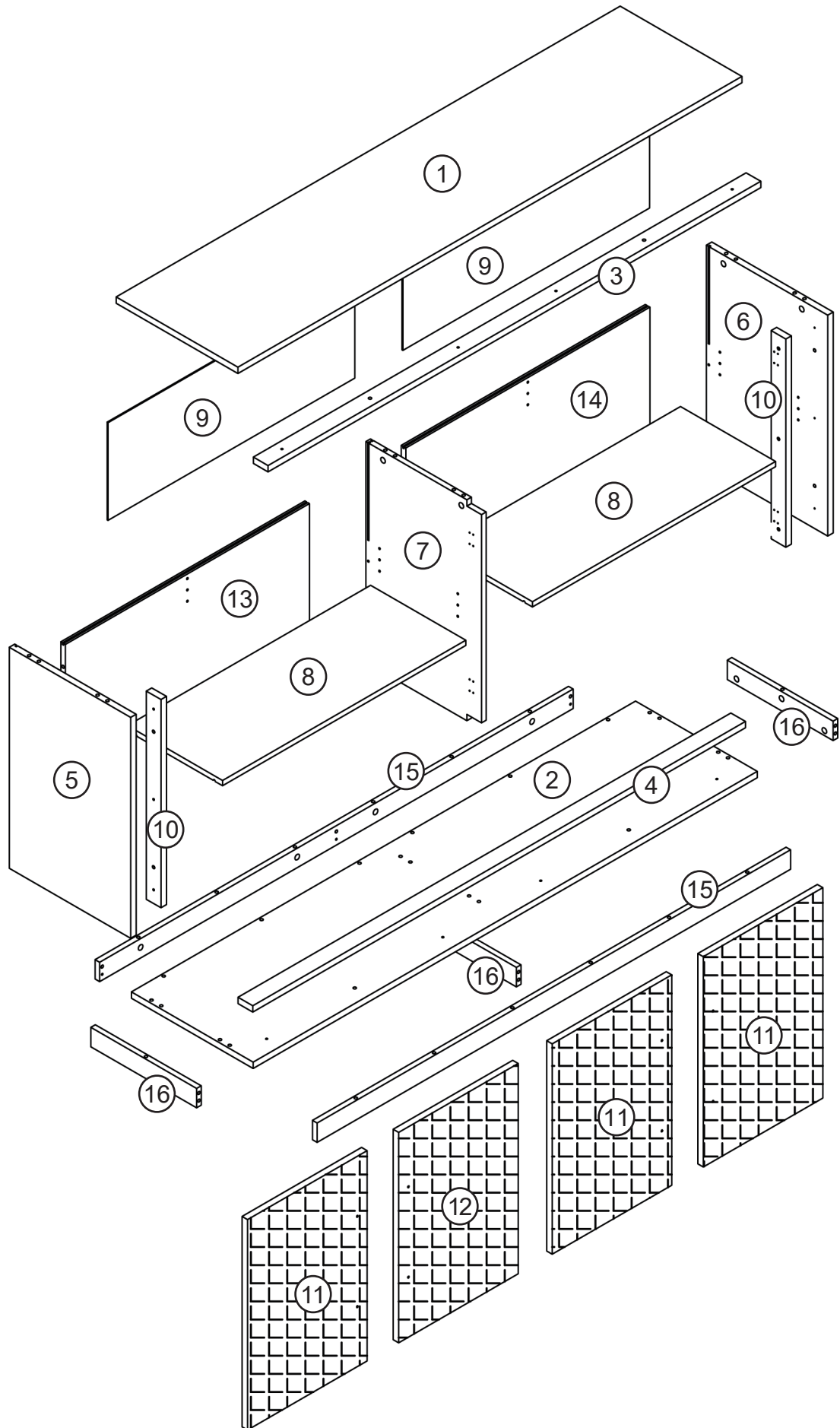
Hand tight all hardware and careful not to over tighten to avoid damaging the product.

CAUTION

There are small components used in the construction of this product. Loose items should be kept away from pets and children to avoid a choking hazard.

Keep all plastic bags and packaging film away from pets and children to avoid suffocation.

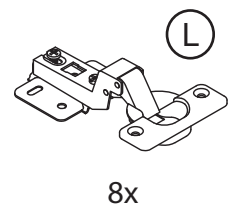
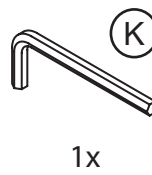
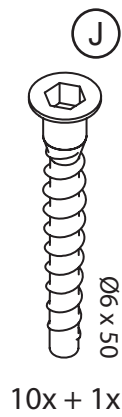
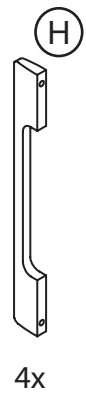
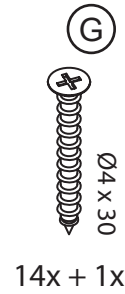
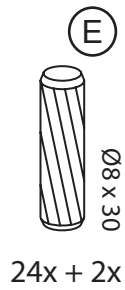
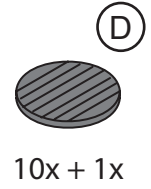
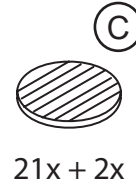
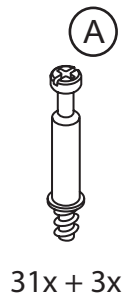
PACKAGE CONTENTS



PACKAGE CONTENTS

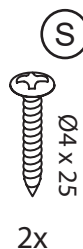
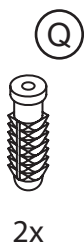
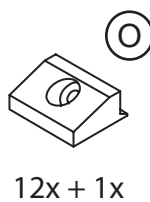
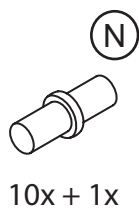
CODE	DESCRIPTION	QTY
1	Top Panel	1
2	Bottom Panel	1
3	Upper Crossbar	1
4	Bottom Crossbar	1
5	Left Lateral Panel	1
6	Right Lateral Panel	1
7	Medial Panel	1
8	Storage Shelf Panel	2
9	Upper Back Panel	2
10	Front Support Panel	2
11	Cabinet Door	3
12	Cabinet Door	1
13	Lower Left Back Panel	1
14	Lower Right Back Panel	1
15	Long Base Panel	2
16	Short Base Panel	3

PACKAGE CONTENTS



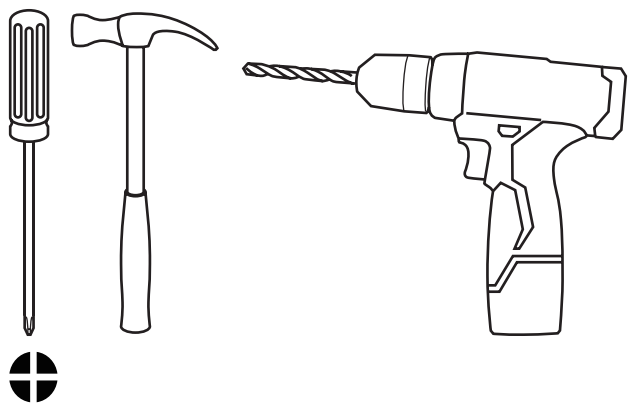
Install all hardware perpendicular to the opening.

PACKAGE CONTENTS



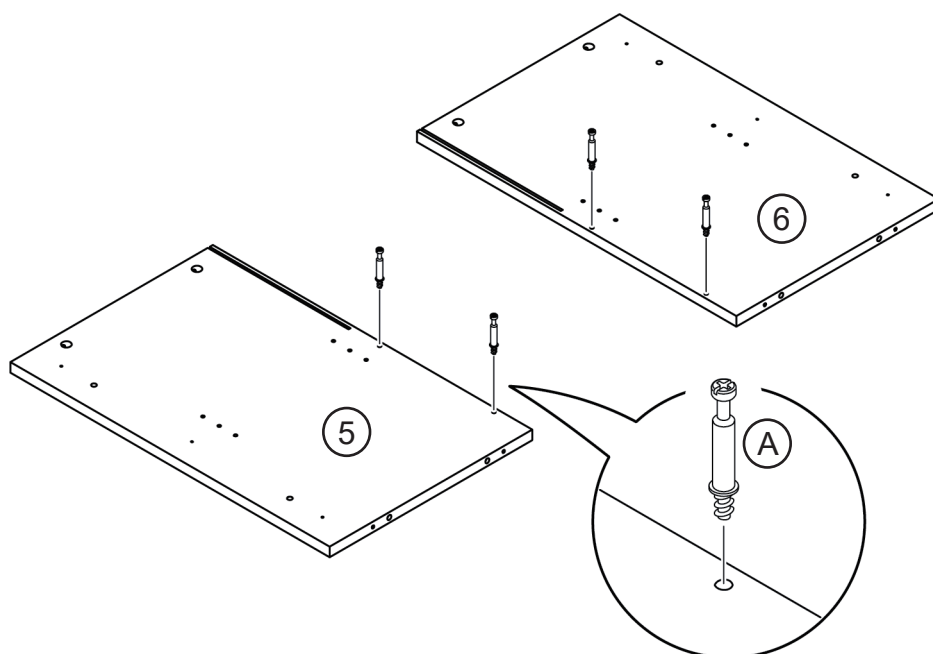
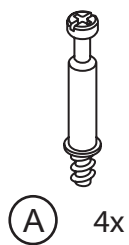
Install all hardware perpendicular to the opening.

Required tools for assembly (Not included)



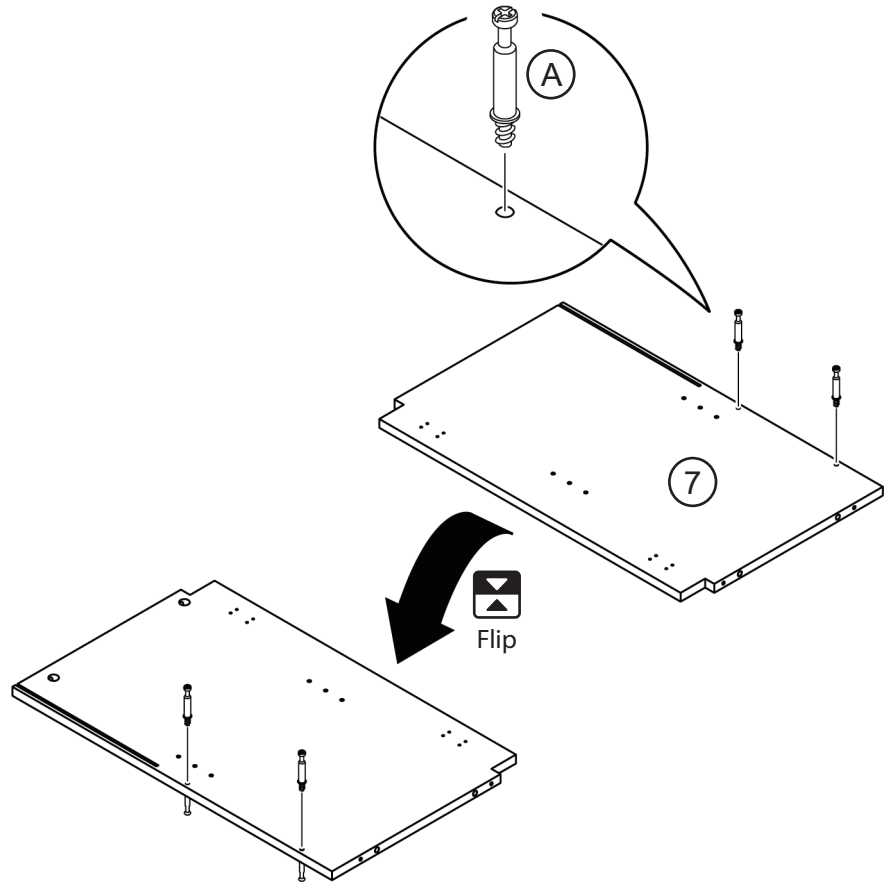
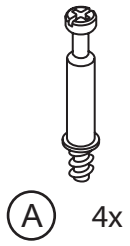
1

Attach cam bolts to the lateral panels (5, 6).



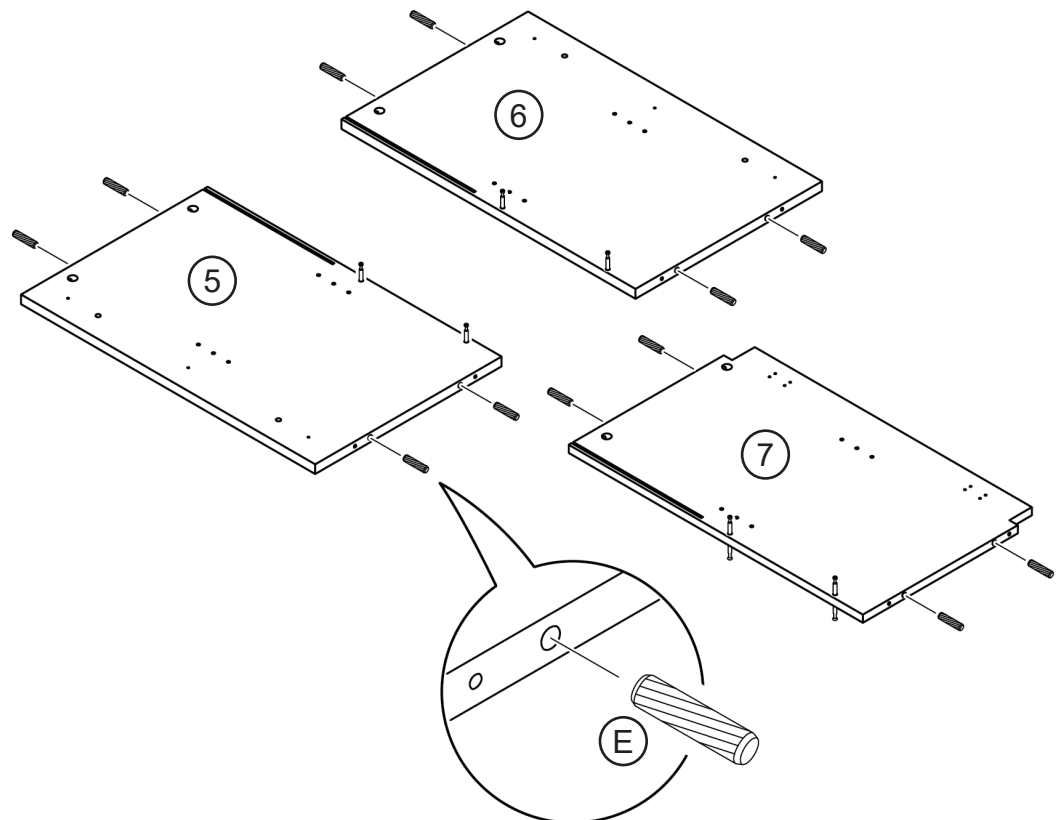
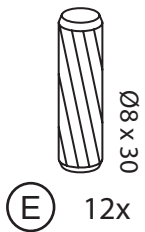
2

Attach cam bolts to both sides of the medial panel (7).



3

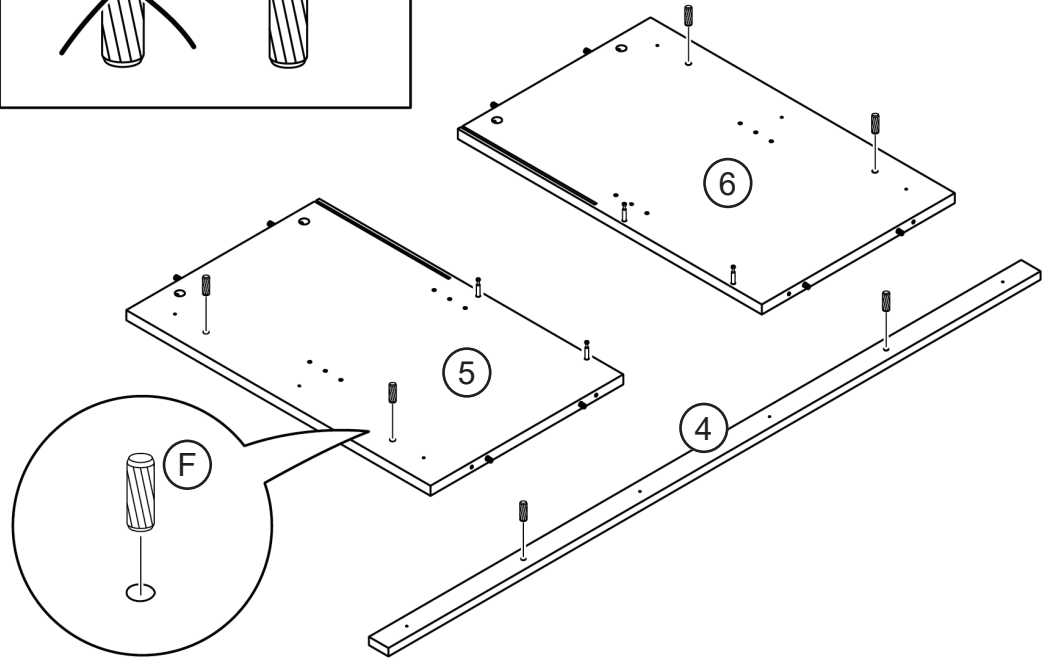
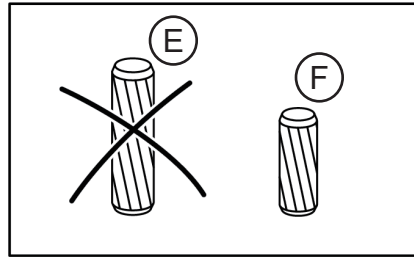
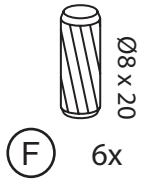
insert wood dowels to the lateral panels (5, 6) and the medial panel (7).



4

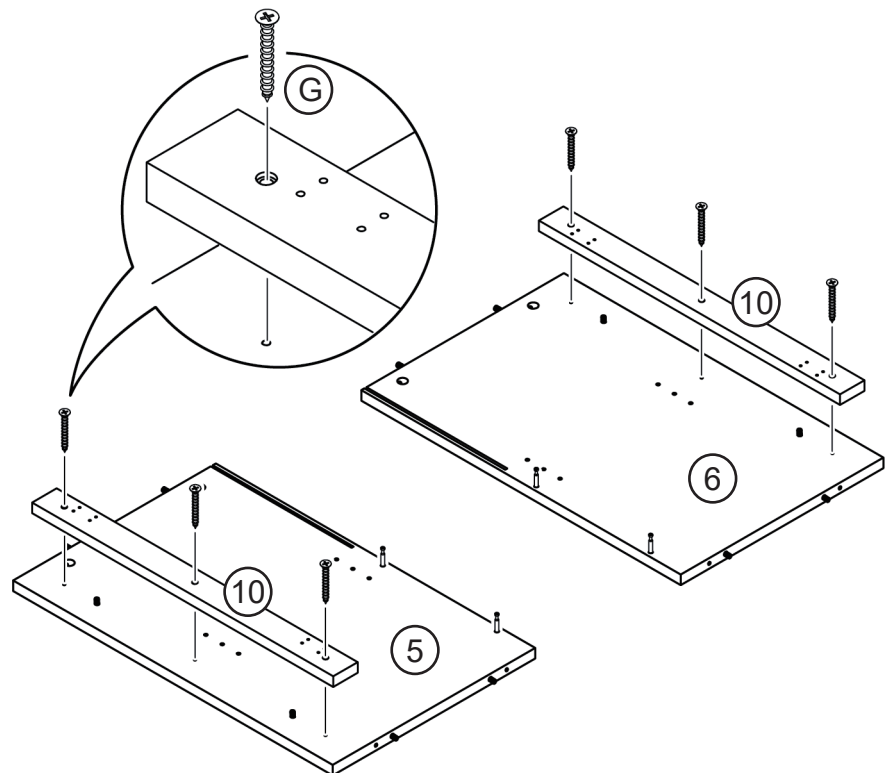
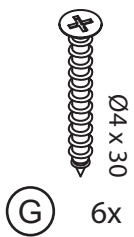
Insert short wood dowels to the lateral panels (5, 6) and the bottom crossbar (4).

Note: Make sure to use the correct hardware.



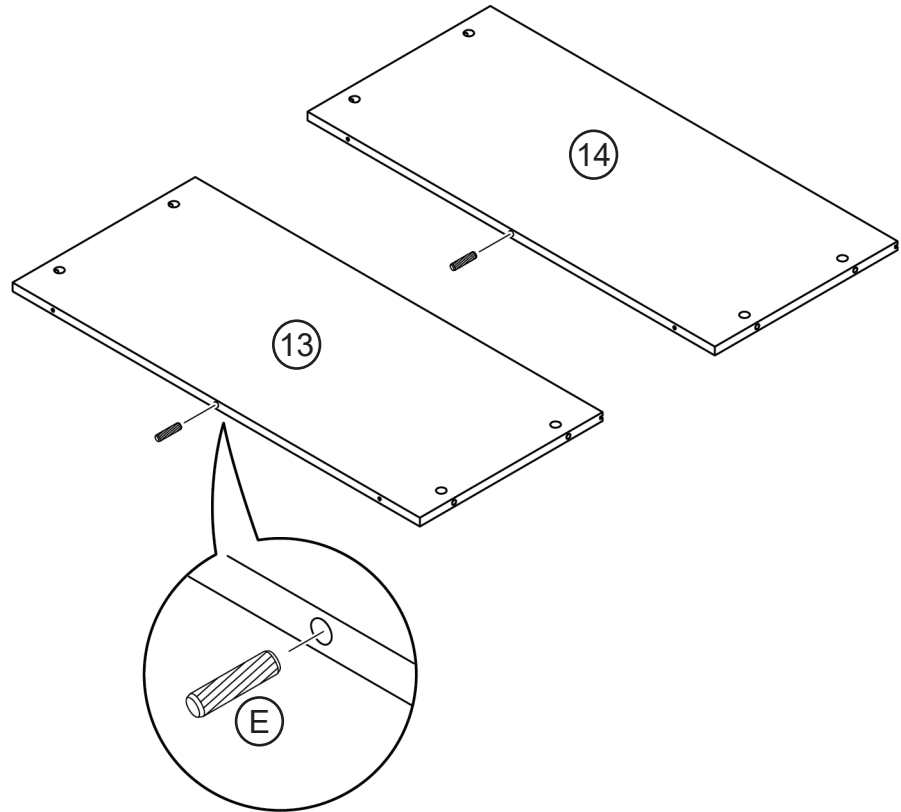
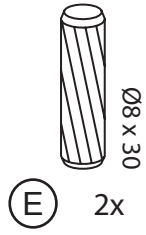
5

Attach front support panels (10) to the lateral panels (5, 6).



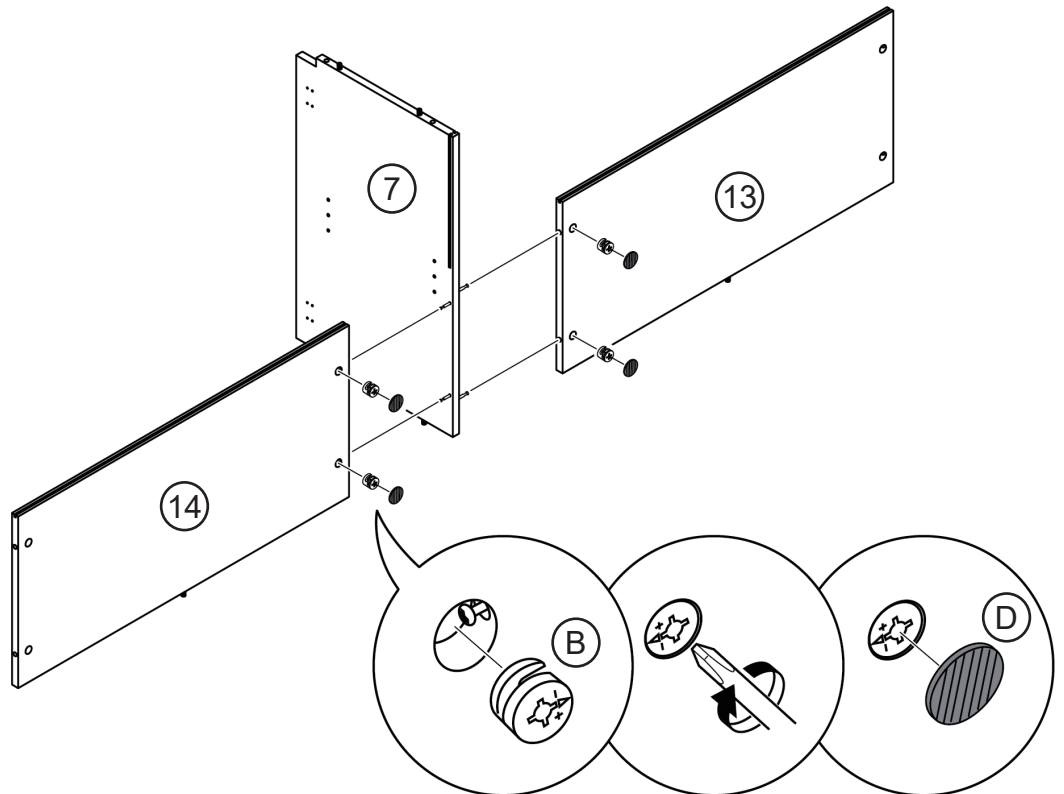
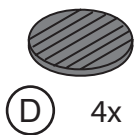
6

Insert wood dowel to the back panels (13, 14).



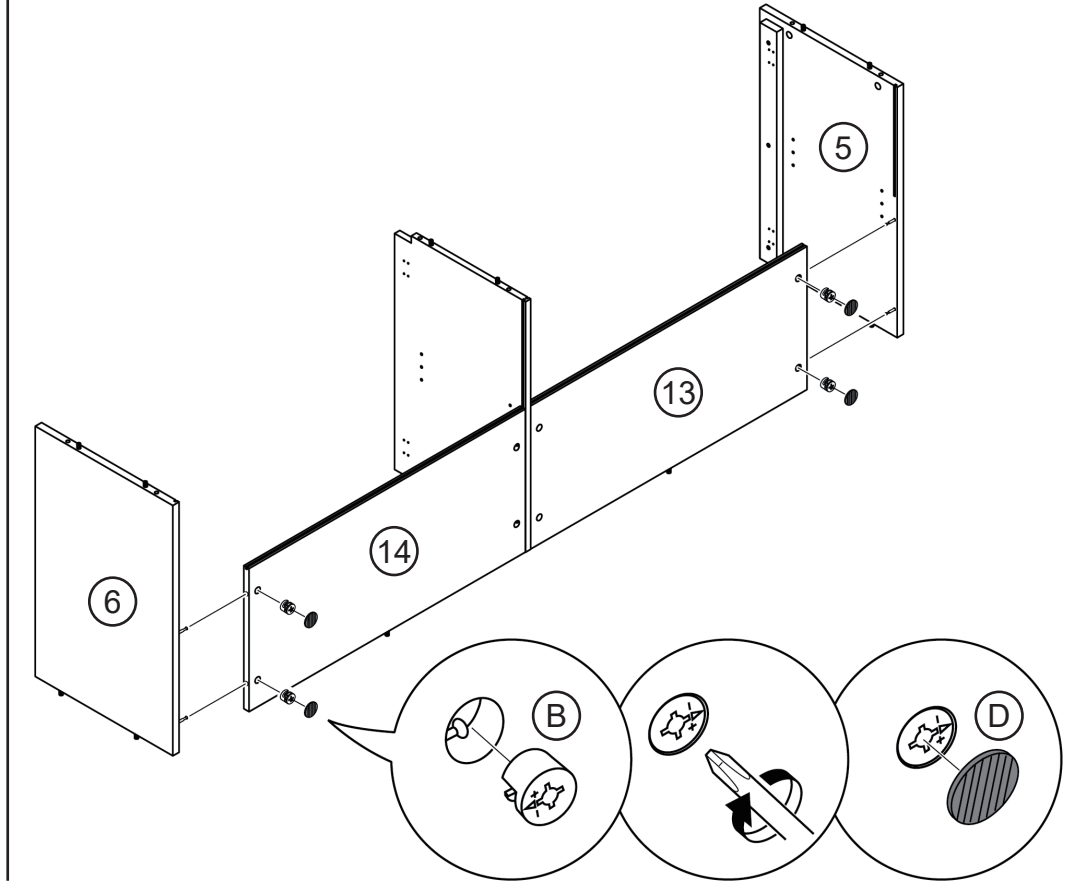
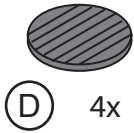
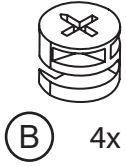
7

Attach the medial panel (7) between the two lower back panels (13, 14).



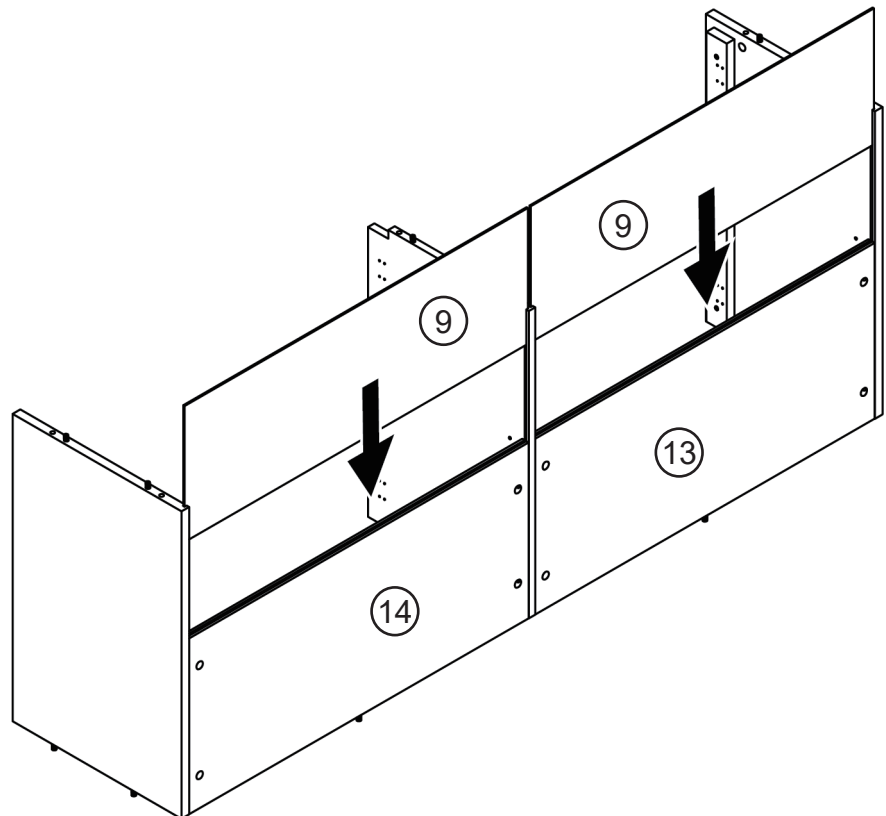
8

Attach the lateral panels (5, 6) to the other end of the lower back panels (13, 14).



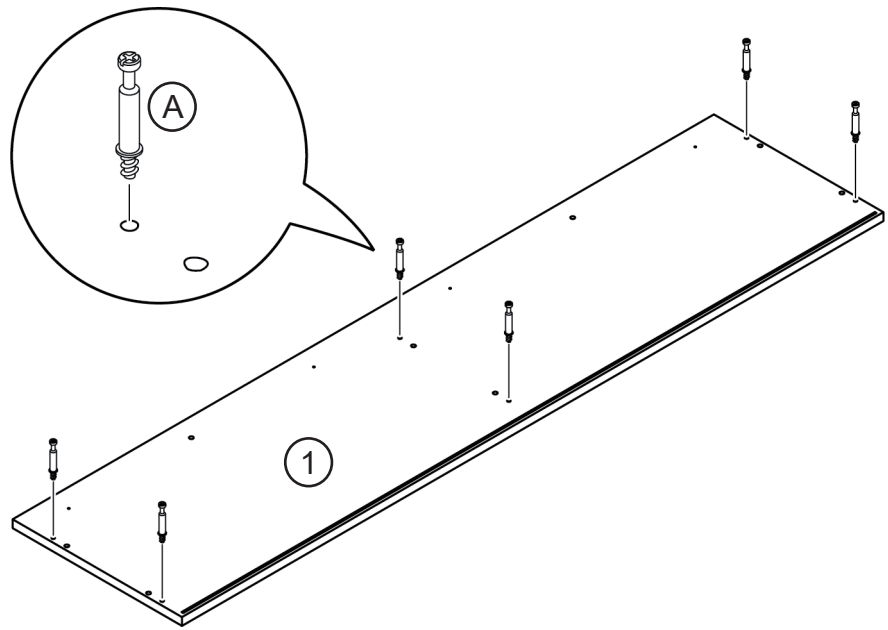
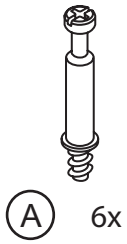
9

Slide upper back panels (9) on top of the lower back panels.



10

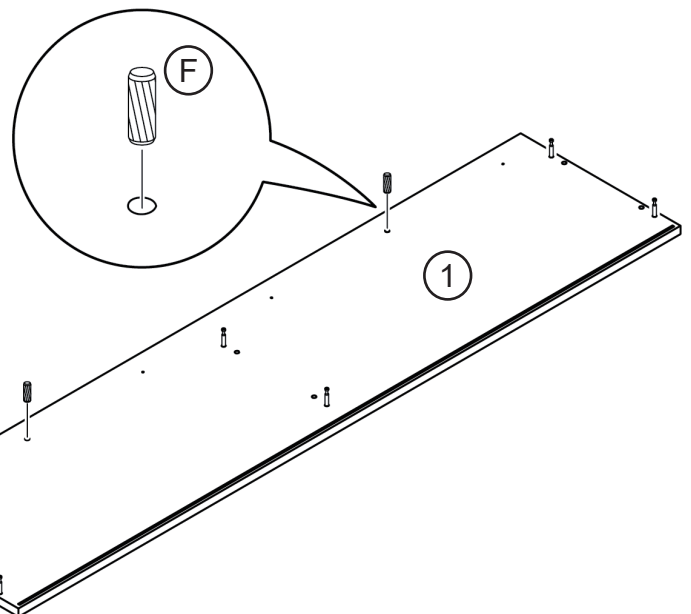
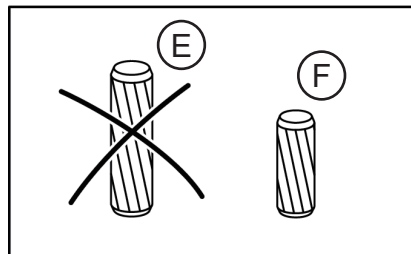
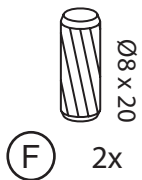
Attach cam bolts to the top panel (1).



11

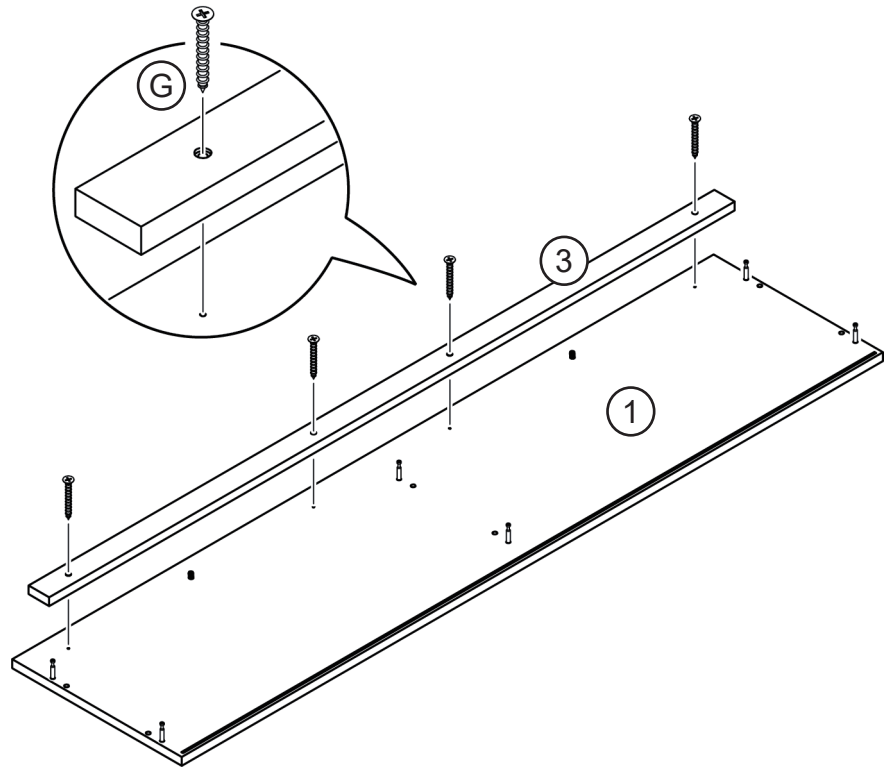
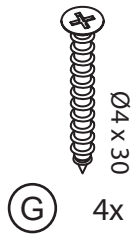
Attach short wood dowels to the top panel (1).

Note: Make sure to use the correct hardware.



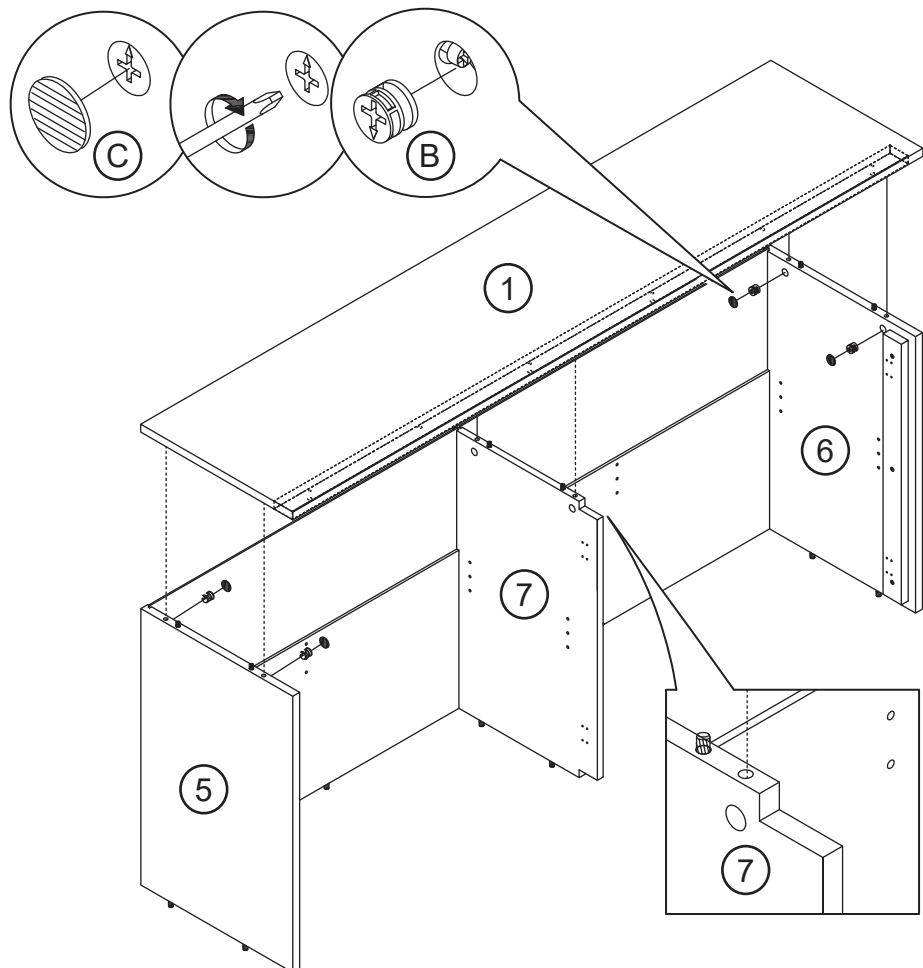
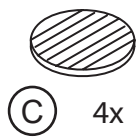
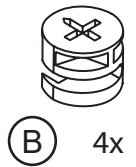
12

Attach upper crossbar (3) to the top panel (1).



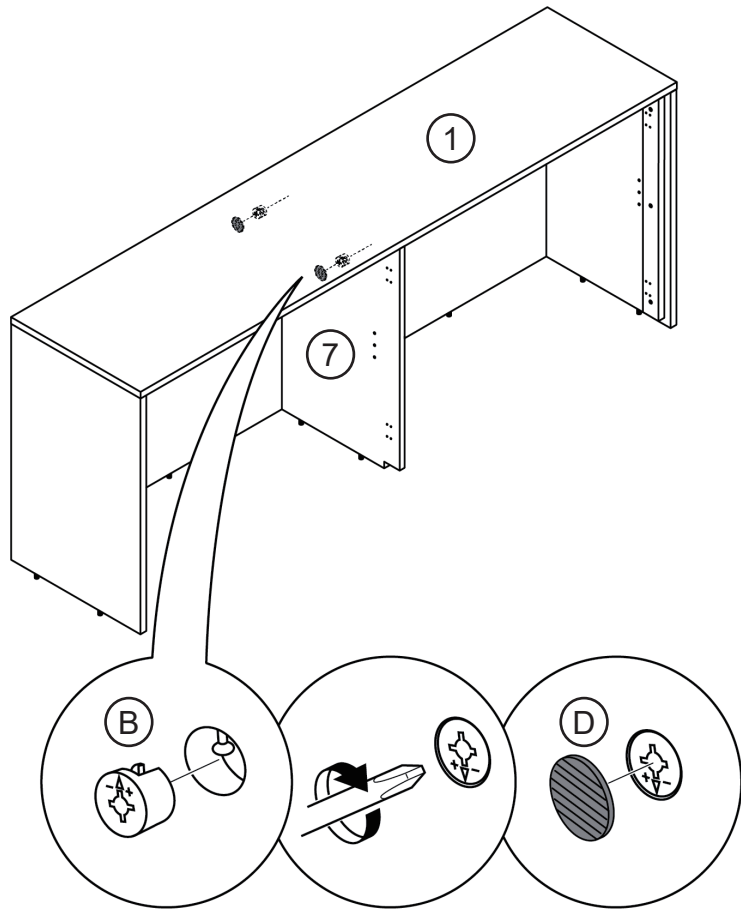
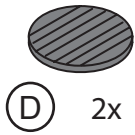
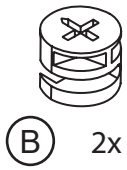
13

Assemble the top panel (1) on top of the sideboard assembly.



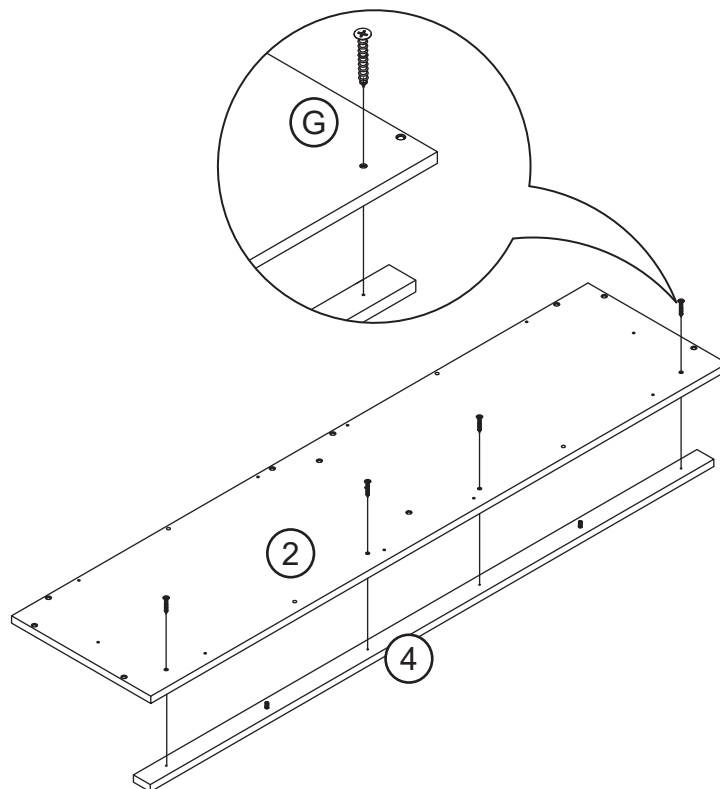
14

Secure the top panel to the medial panel.



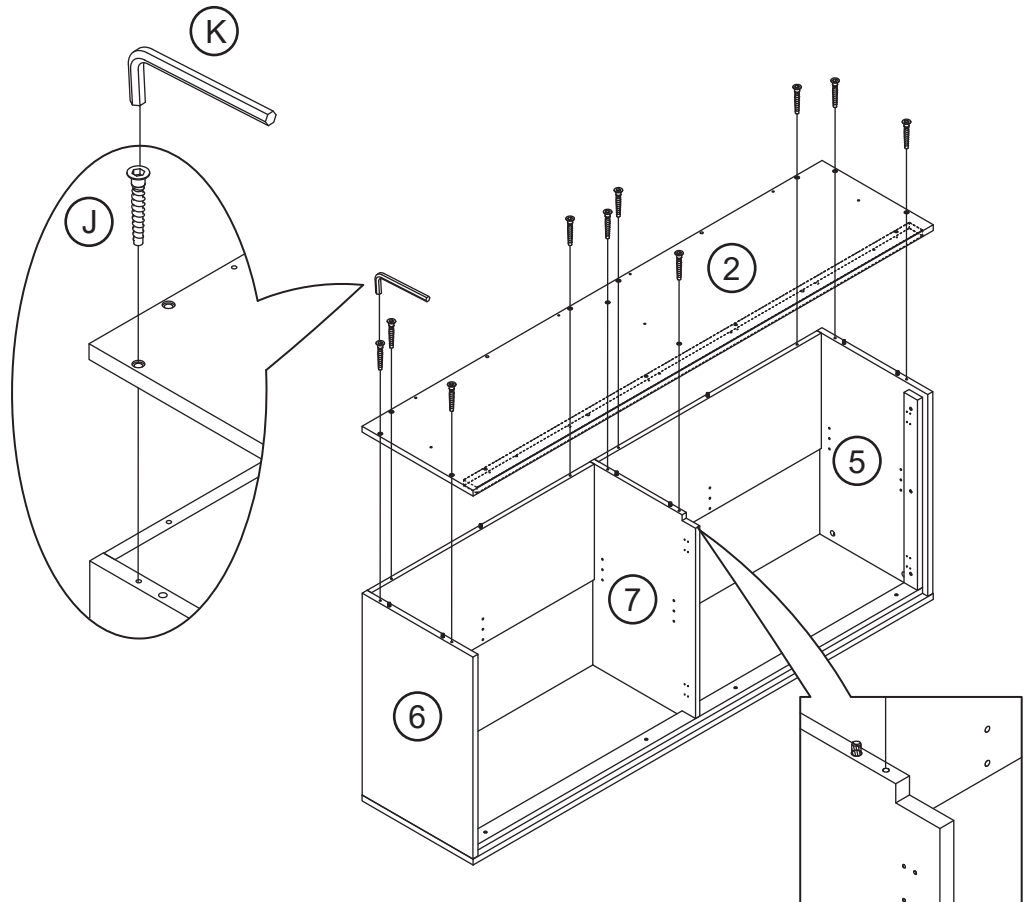
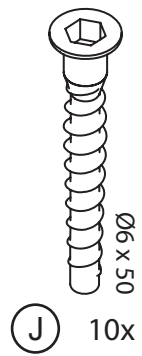
15

Assemble bottom crossbar (4) to the bottom panel (2).



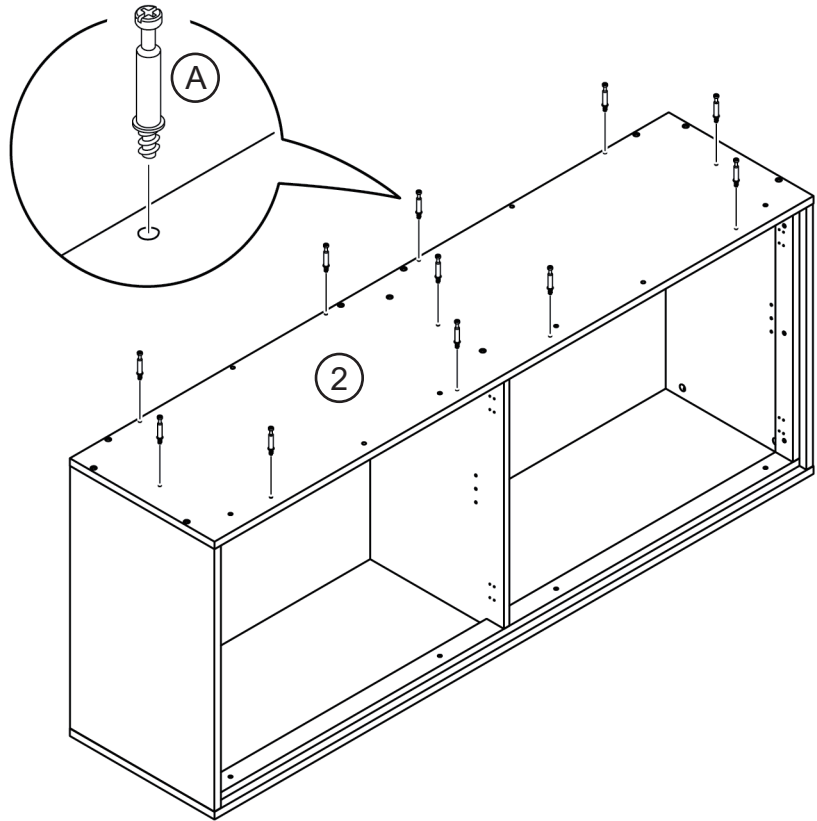
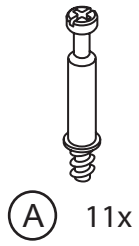
16

Assemble the bottom panel (2) to the sideboard assembly.



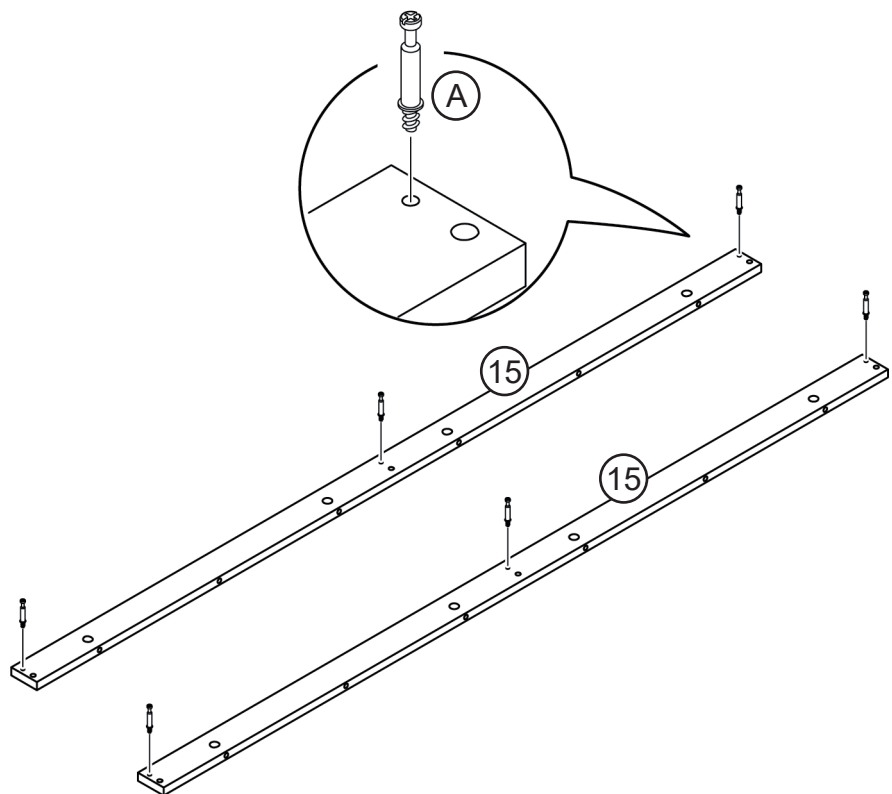
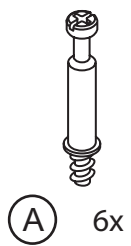
17

Attach cam bolts to the bottom panel (2).



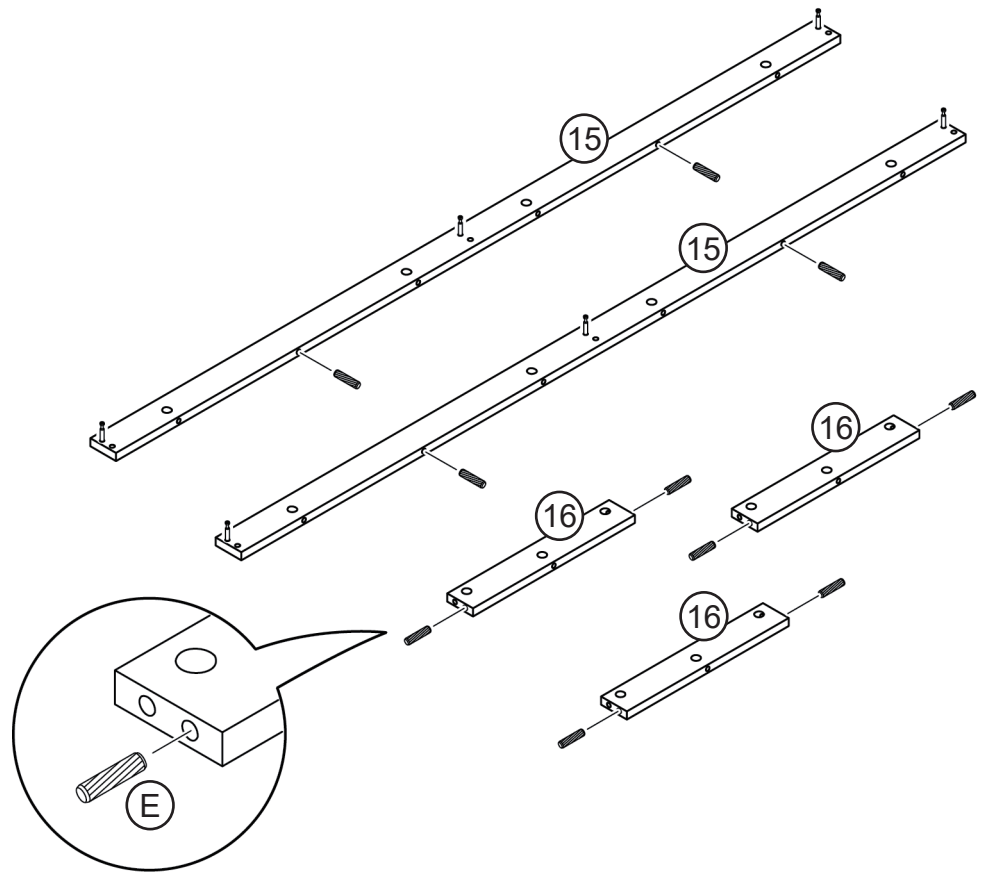
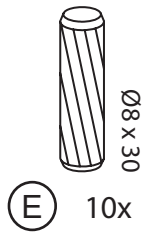
18

Attach cam bolts to the base long panels (15).



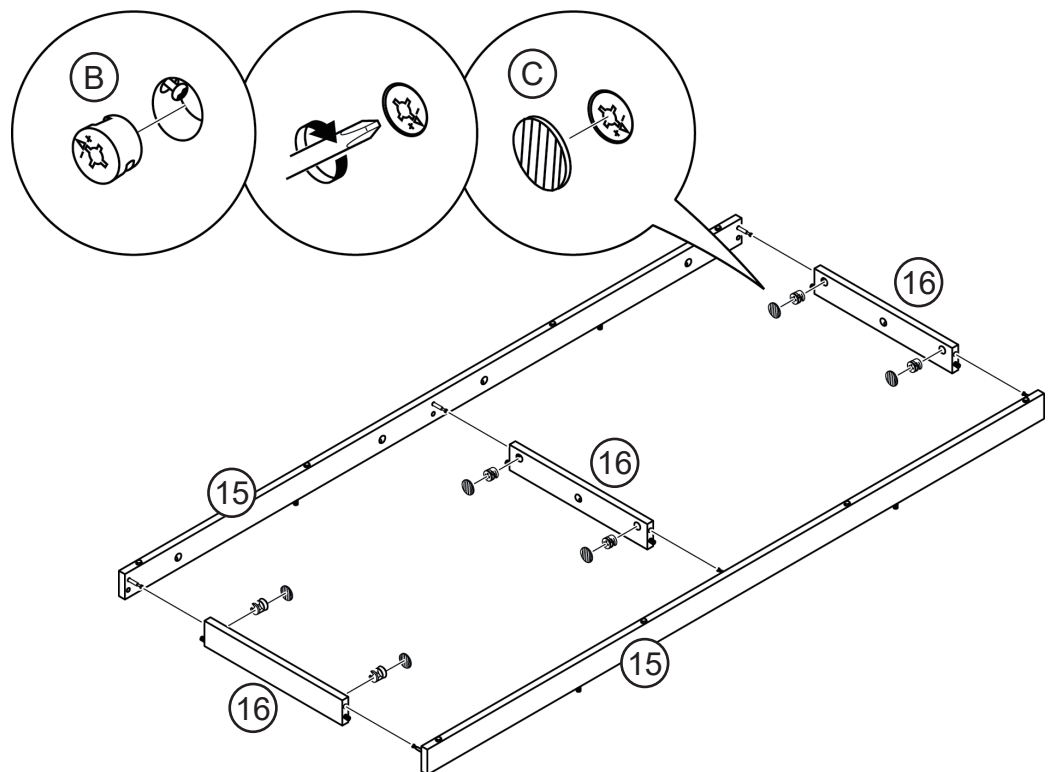
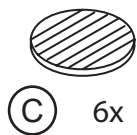
19

Insert wood dowel to all the base panels (15, 16).



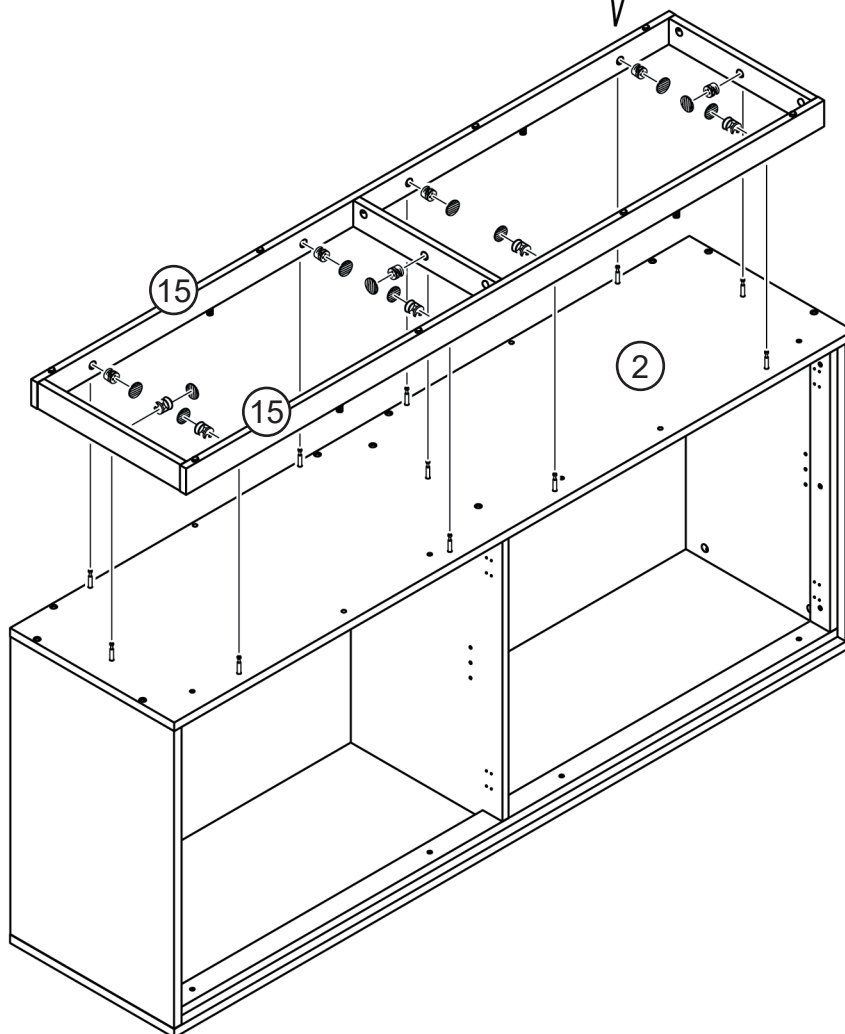
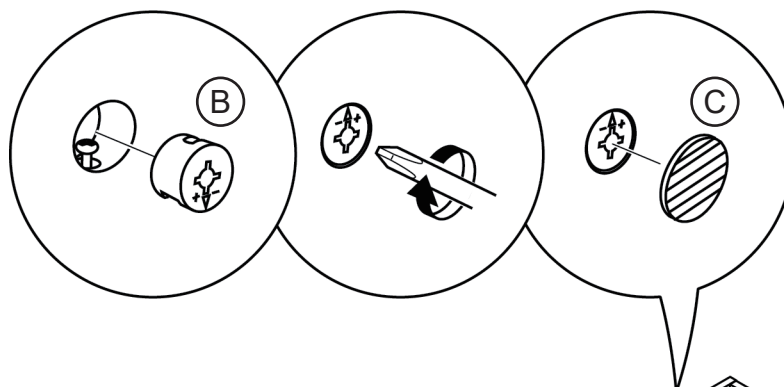
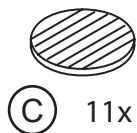
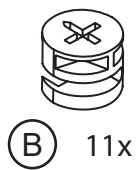
20

Assemble the short base panels (16) between the two long base panels (15).



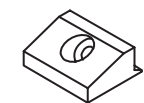
21

Assemble the base to the bottom panel.



22

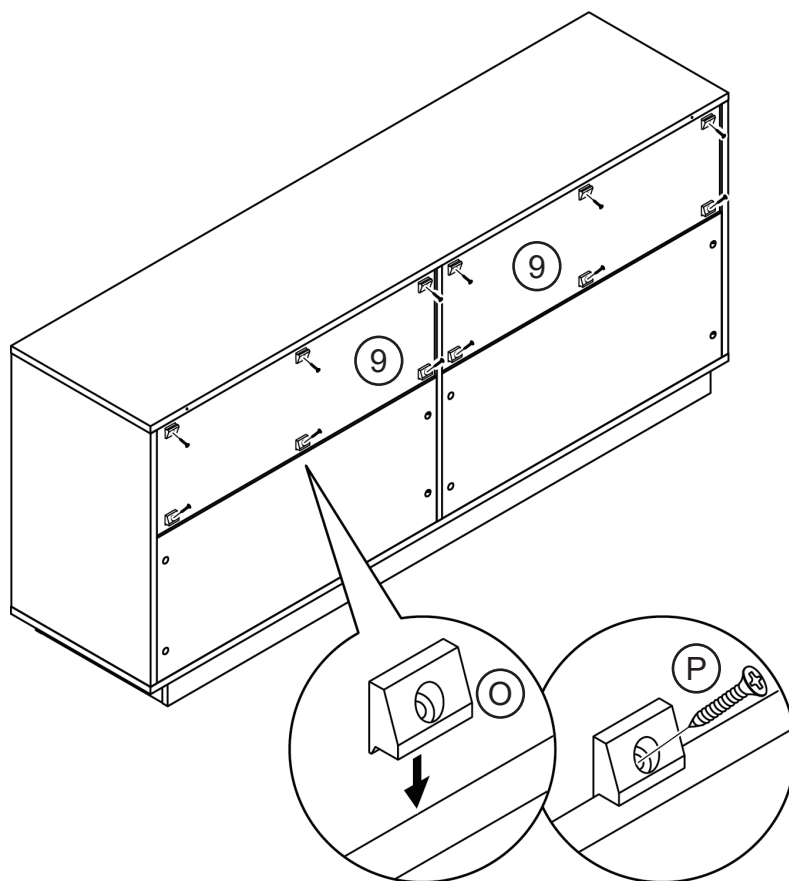
Secure the upper back panels in place.



(O) 12x



(P) 12x

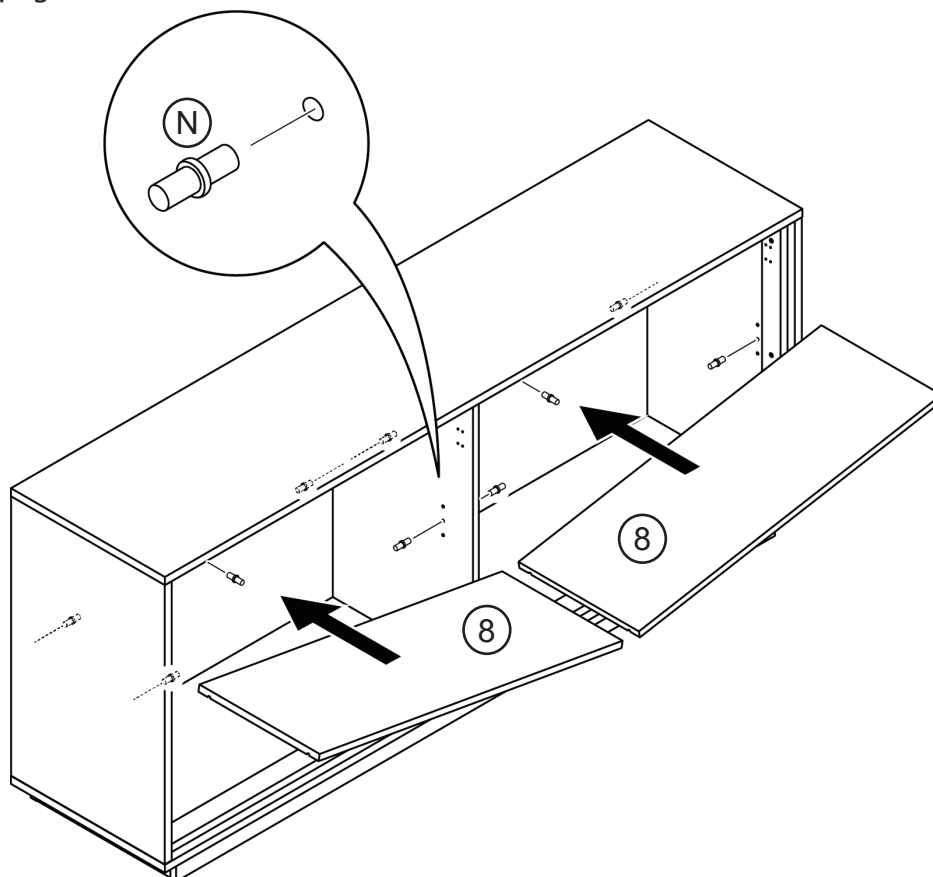


23

Insert shelf pegs into the sideboard and place storage shelf panels (8) on top of the pegs.

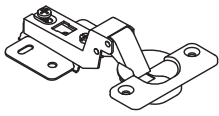


(N) 10x



24

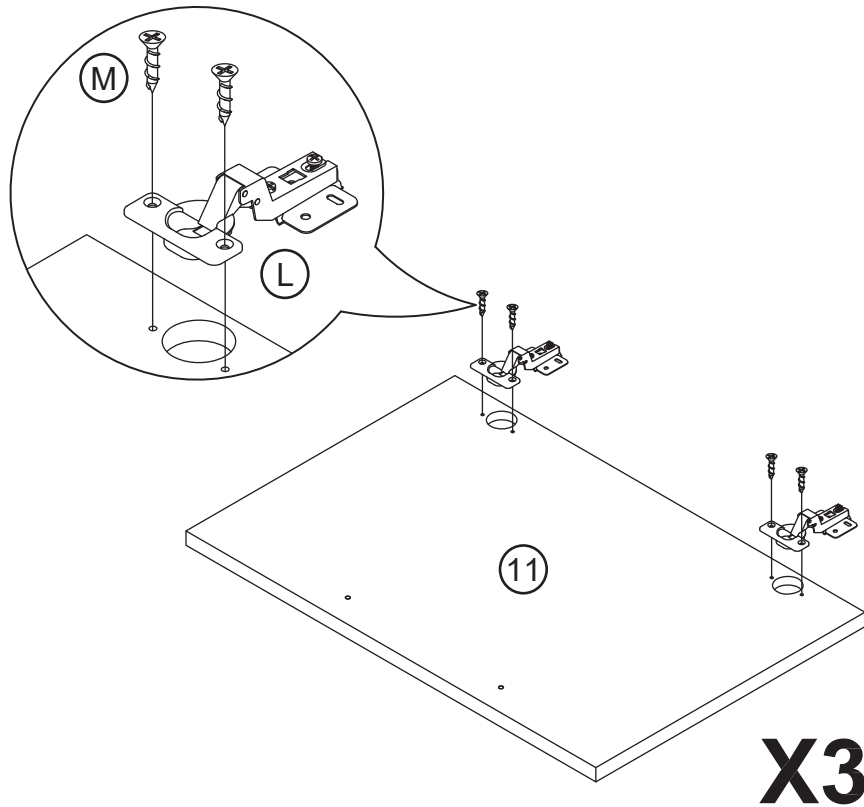
Attach door hinges to the cabinet doors (11).



(L) 6x

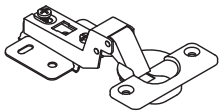


(M) 12x



25

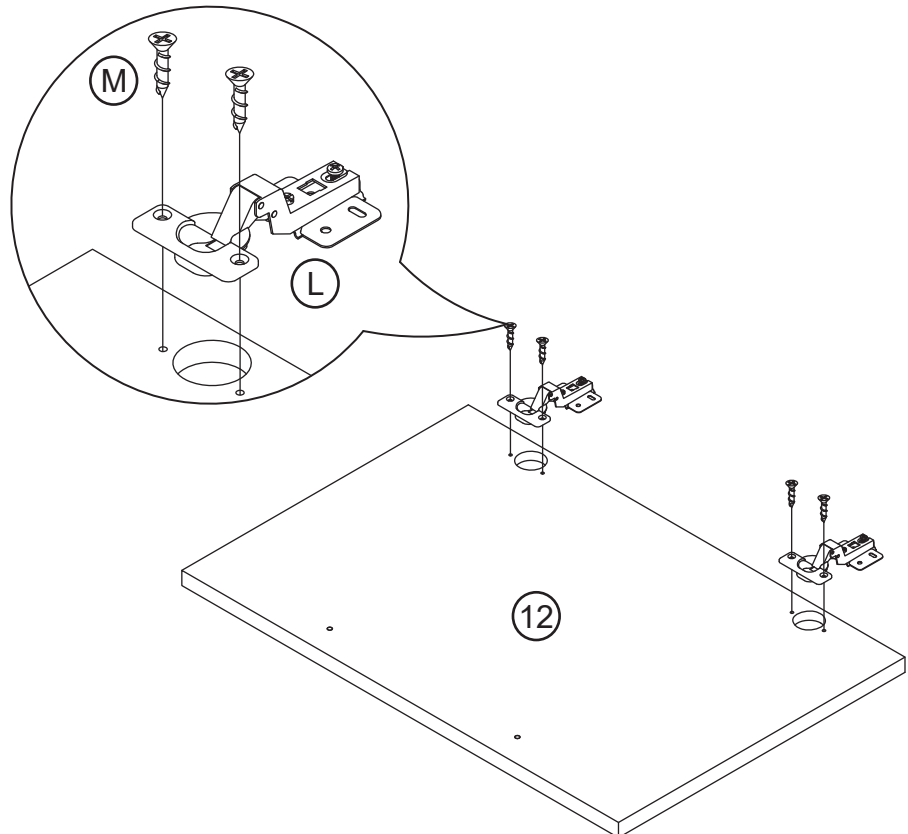
Attach door hinges to the cabinet doors (12).



(L) 2x

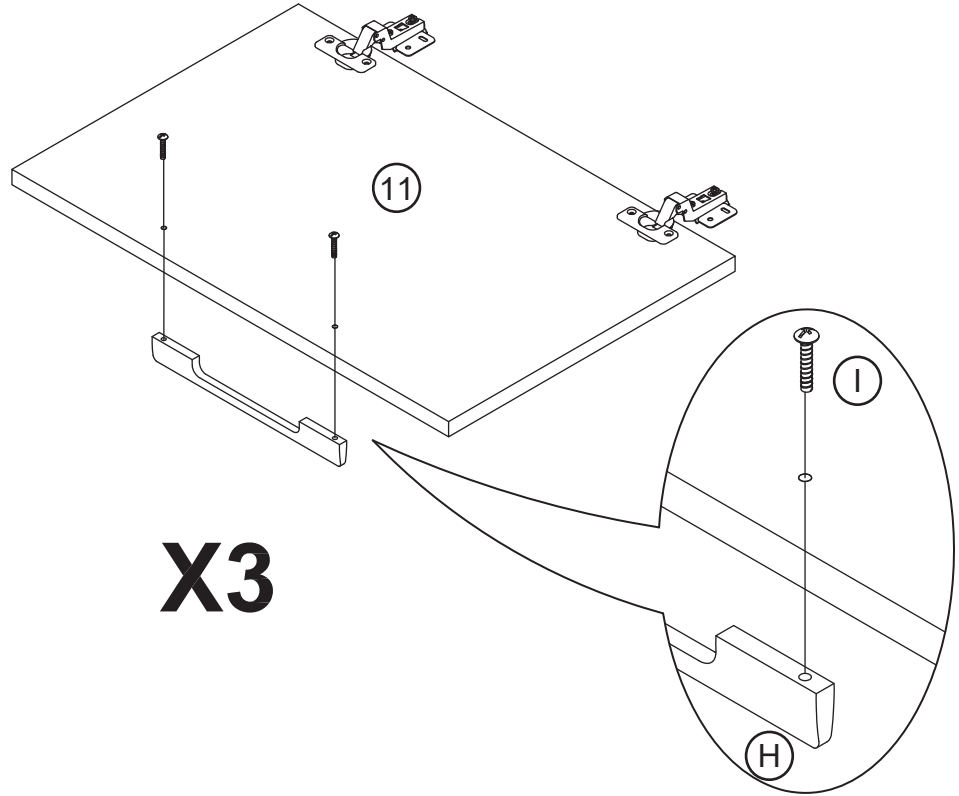
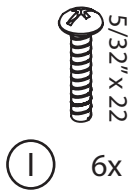
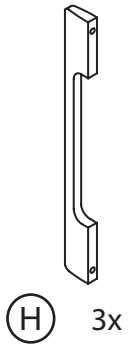


(M) 4x



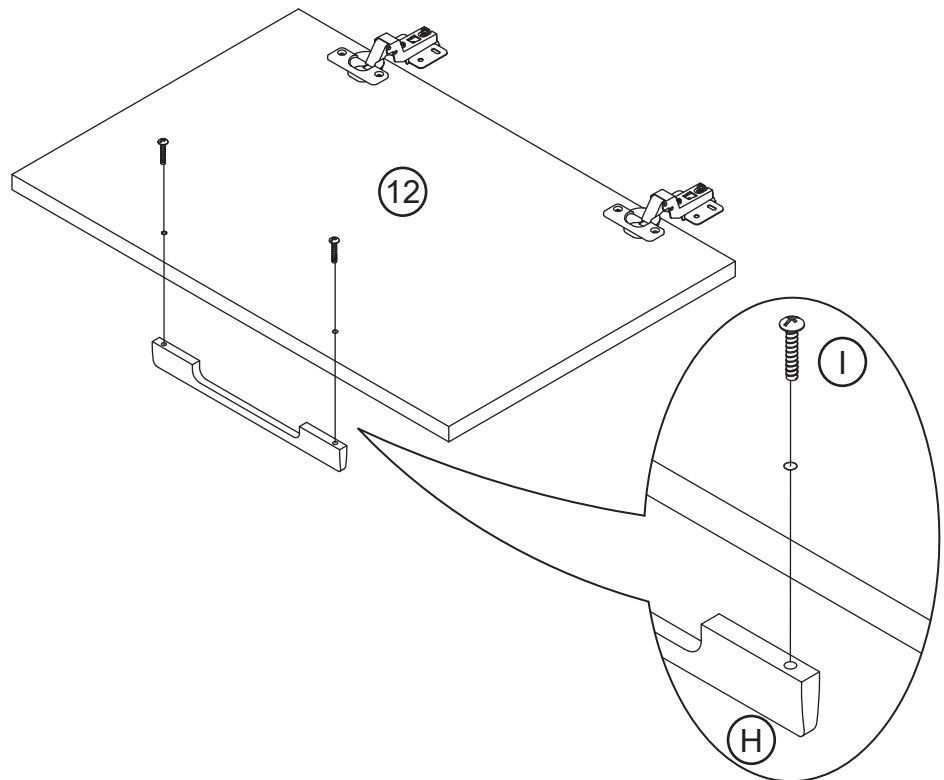
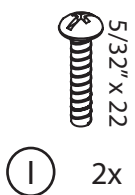
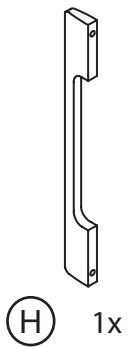
26

Attach door handle to the cabinet doors (11).



27

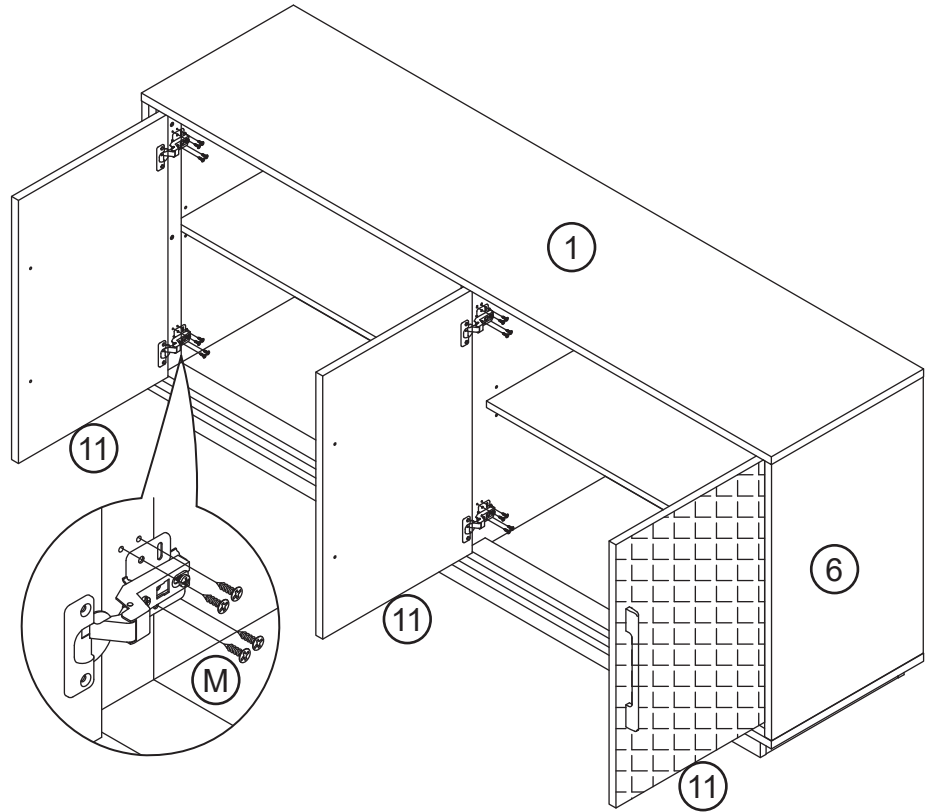
Attach door handle to the cabinet doors (12).



28

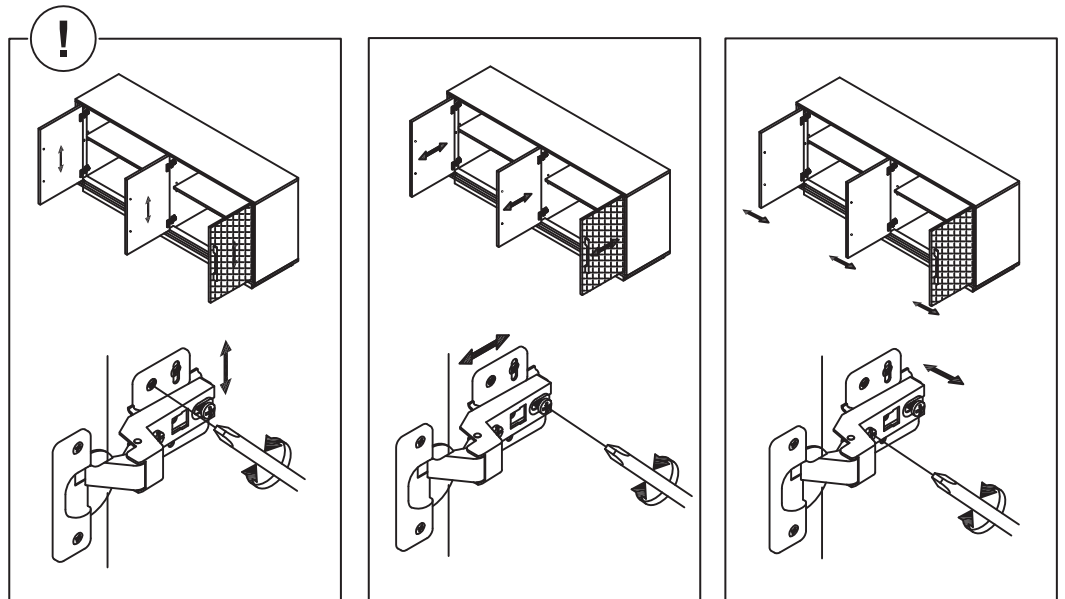
Attach cabinet doors (11) to the cabinet.

Ø3.5 x 14
(M) 24x



29

When the clearance of the door is uneven, Adjust the cabinet door according to the figure.
If you still have trouble while adjusting the door, please contact us.



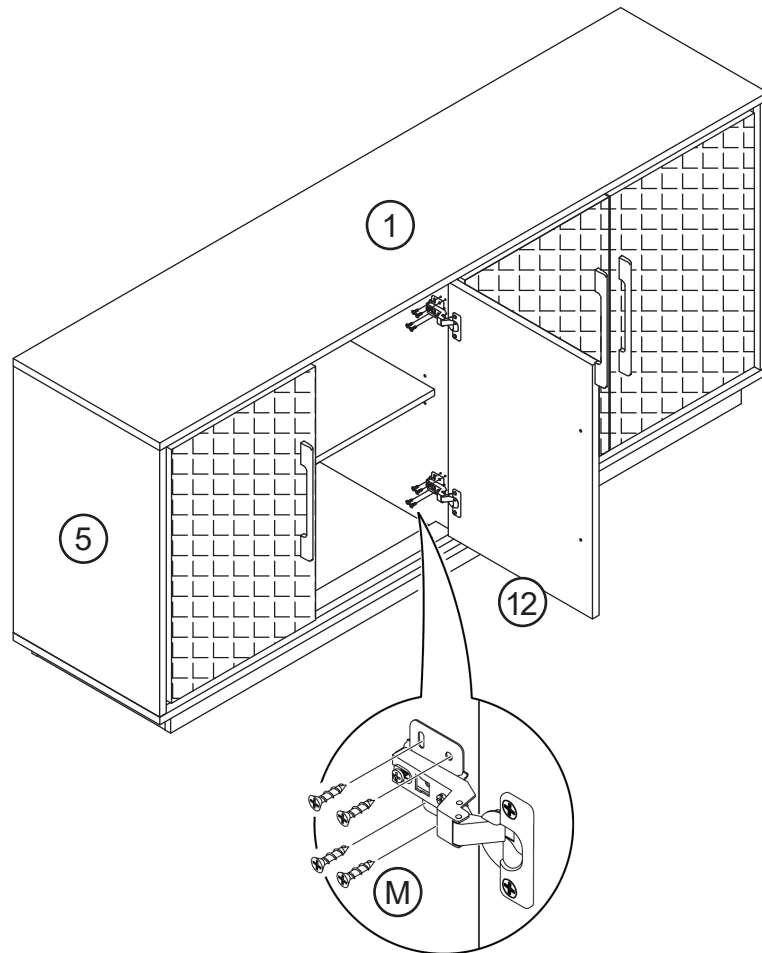
Up and down adjustment by loosening the screws on the mounting plate.

In and out adjustment by loosening the screws on the hinge arm.

Side to side adjustment using the front adjustment screw on the hinge.

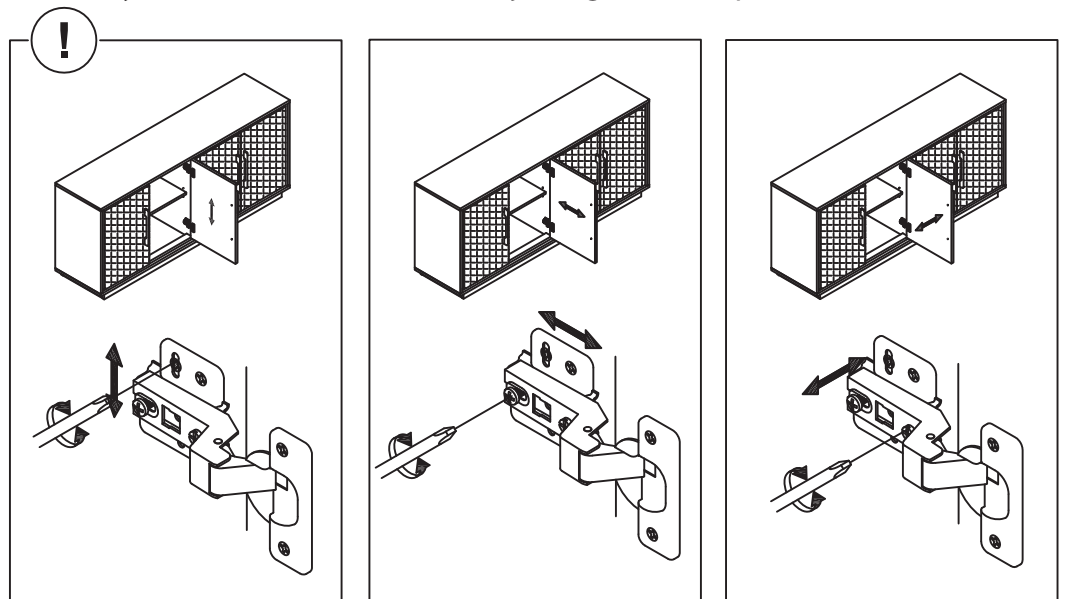
30

Attach cabinet doors (12) to the cabinet.



31

When the clearance of the door is uneven, Adjust the cabinet door according to the figure.
If you still have trouble while adjusting the door, please contact us.



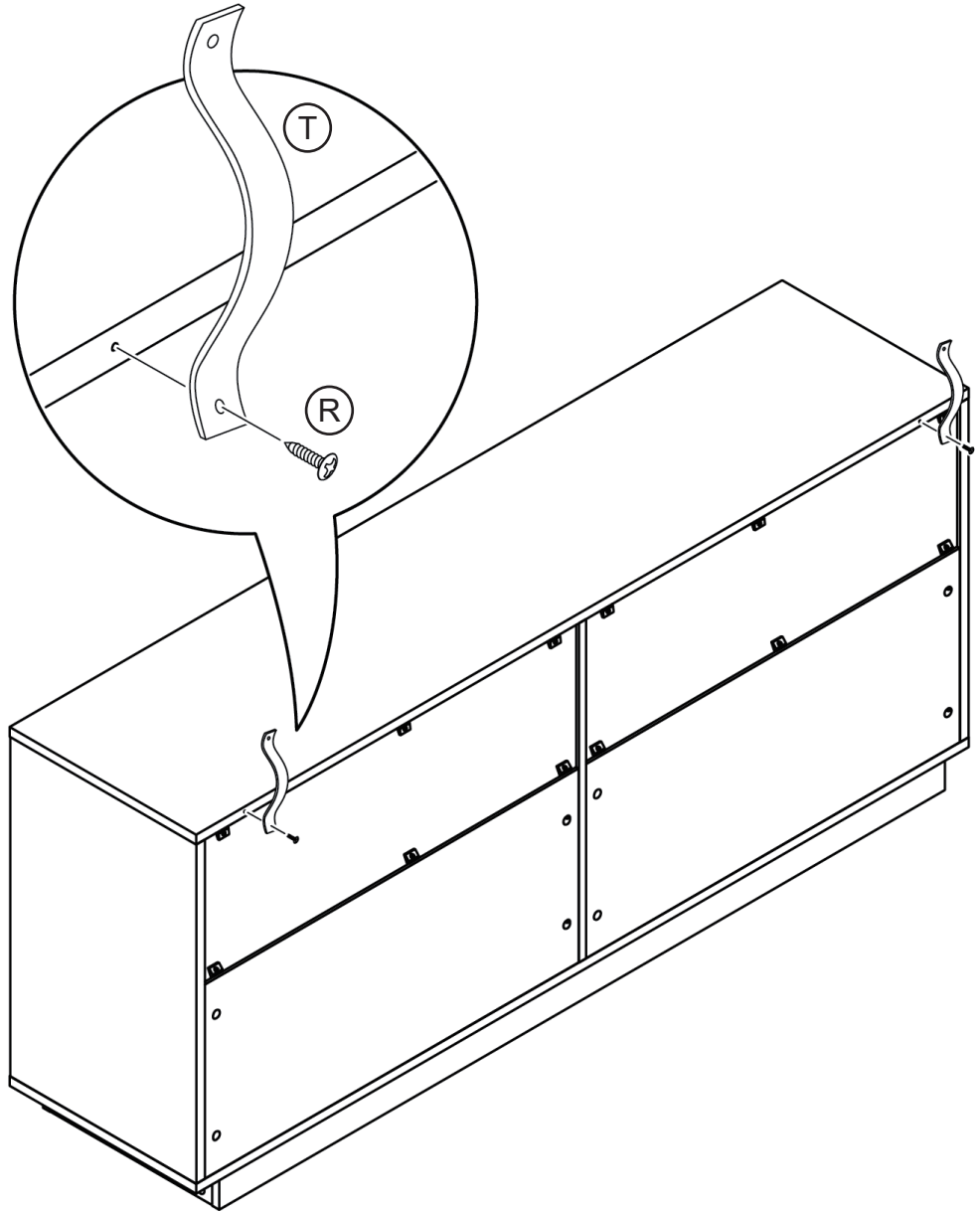
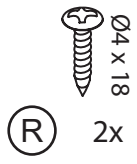
Up and down adjustment by loosening the screws on the mounting plate.

In and out adjustment by loosening the screws on the hinge arm.

Side to side adjustment using the front adjustment screw on the hinge.

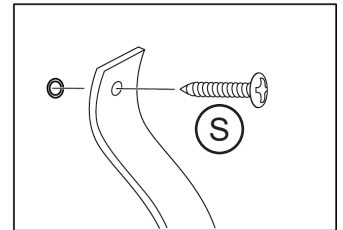
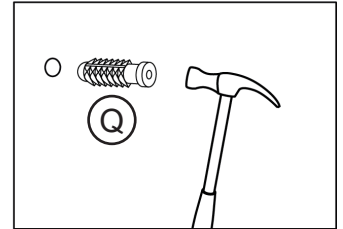
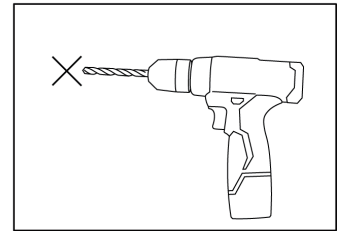
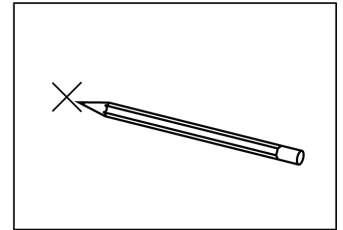
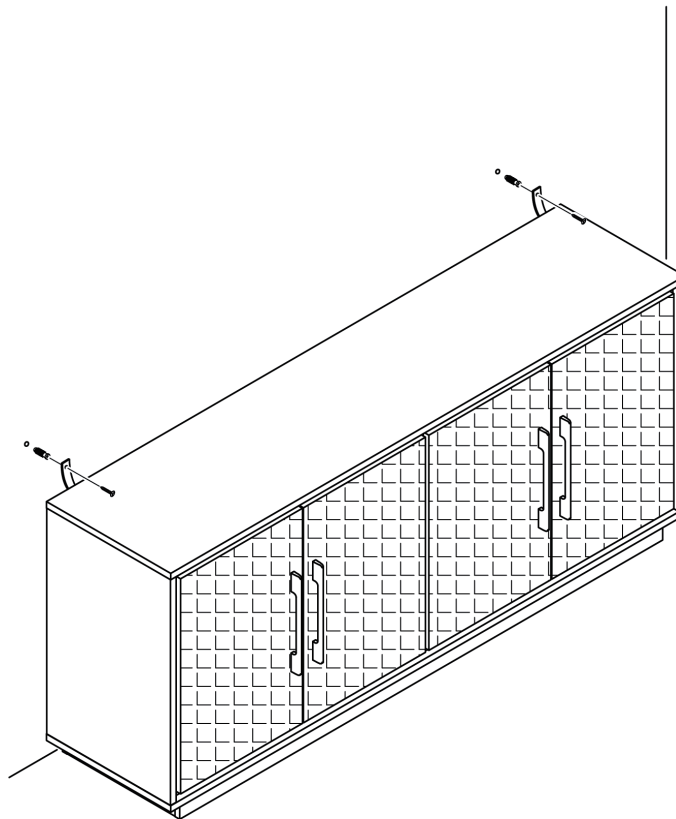
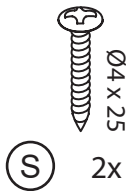
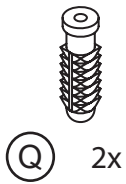
32

Attach anti-tipping straps to the back of the sideboard



33

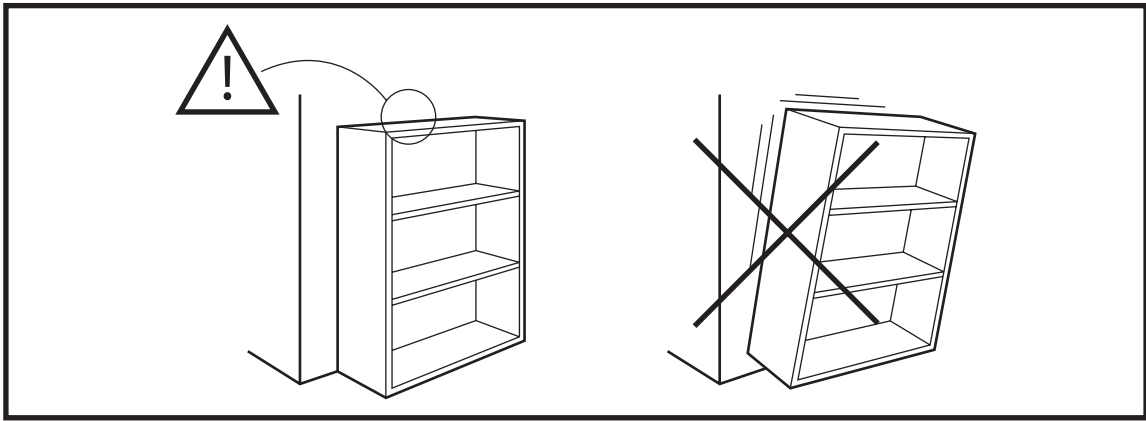
Affix the sideboard to a wall.



Furniture must permanently fixed to the wall stud with included anti-tipping device to prevent the furniture from tipping over.

- Mark drill positions on the wall with a pencil.
- Drill a small hole on the marked position.
- Insert wall anchors into the drilled holes.
- Zip tie the rack to the anti-tipping devices.

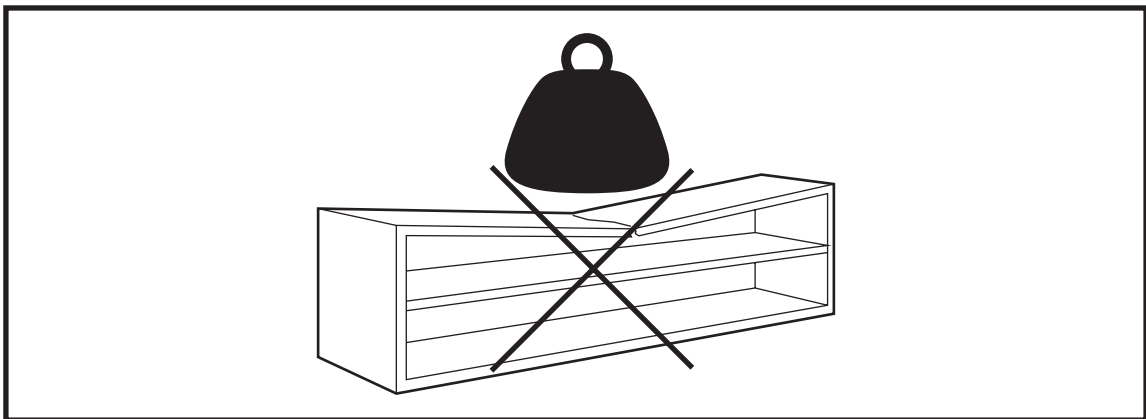
YOU'RE FINISHED!



Warning

Serious or fatal crushing injuries may occur if the furniture tip-over. Furniture must permanently affixed to the wall with included anti-tipping device in order to prevent the furniture from tipping over.

Different wall materials requires different types of wall anchors or screws. Use a suitable wall anchors or screws for your specific wall in order to secure the stability and load bearing capacity of the furniture. If you are uncertain about which type of device to use, please contact us or your local hardware store.



Warning

Only place items on top of the product if they meet the recommended size and weight limits.

Climbing on, stepping on, or placing overweighted objects on the product may cause property damage and/or injuries.

Items placed onto this product must be resting on a support surface without hanging over the edges.

BELLEZE®

FURNITURE CARE AND MAINTENANCE

Medium - Density Fiberboard

Thank you for your purchase. We want your item to last as long as possible. To ensure the product gives you years of longevity, please follow the recommendations in this care and maintenance guide.



MAINTENANCE

- Tighten all bolts and screws again within the first 2 weeks of assembly.
- Check the tightness of all bolts every 2 months and tighten them if necessary.



CLEANING

- Clean the surface of the MDF (medium - density fiberboard) with a lightly dampened cloth.
- A small amount of mild soap can be used if necessary.
- Dry the surface immediately after cleaning.

- ⚠ DO NOT use bleach or alcohol to clean the surface.
- ⚠ DO NOT apply wood treatment on parts made with MDF.

MDF will swell and distort when exposed to water damage. Make sure to dry the furniture immediately after cleaning.

⚠ WARNING

The manufacturer and seller are not responsible for any and all liability relating to personal injury, property damage or losses, whether direct, indirect, or incidental, resulting from the incorrect attachment, improper use, inadequate maintenance, unapproved modification or neglect of this product.

© All copyright of this document belongs to BELLEZE.
This document may not be printed, translated, reproduced, or distributed in whole or in part without written permission from BELLEZE.

WARRANTY

BELLEZE products come with a 1-year warranty from the date of delivery.
Register your product on our website to enjoy our limited lifetime warranty!



AFTER-SALE SERVICE



Encounter any difficulties or missing parts?



Contact us at **1-800-682-6376** or email us at **support@belleze.com**



We will send you replacement.



Hassle free!
No need to worry about repackaging and sending your item back.

We hope you enjoy your new BELLEZE furniture!
Share your photos on Instagram and tag us: @bellezefurniture.

FOLLOW US:



@bellezefurniture

CONTACT INFO:

support@belleze.com
1-800-682-6376

BELLEZE®