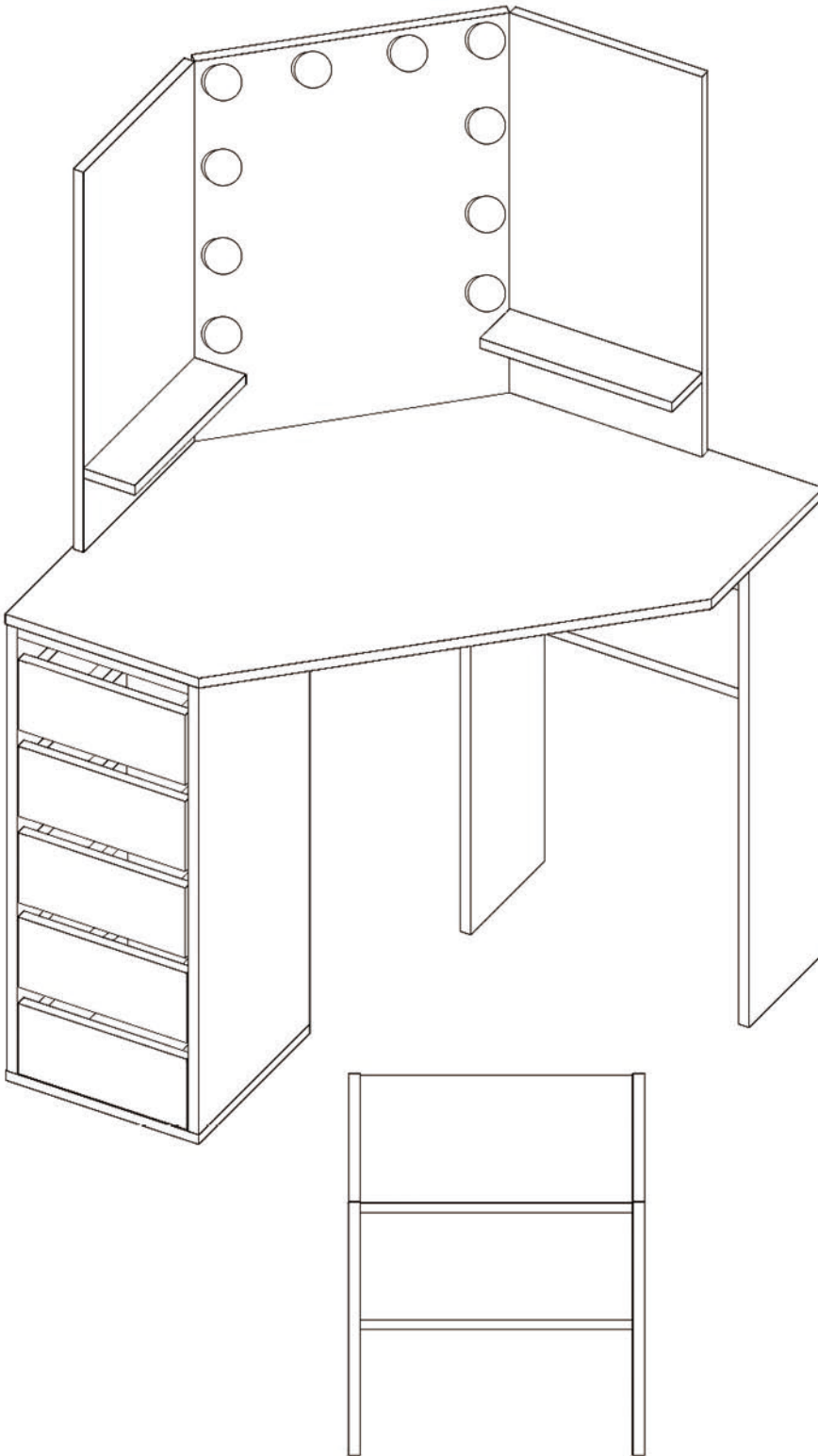
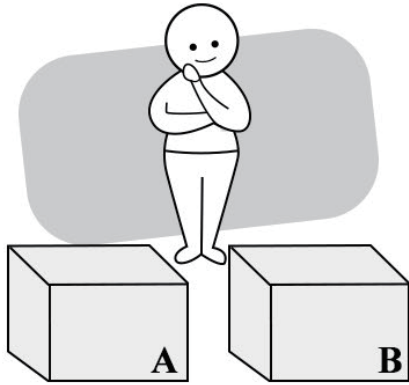


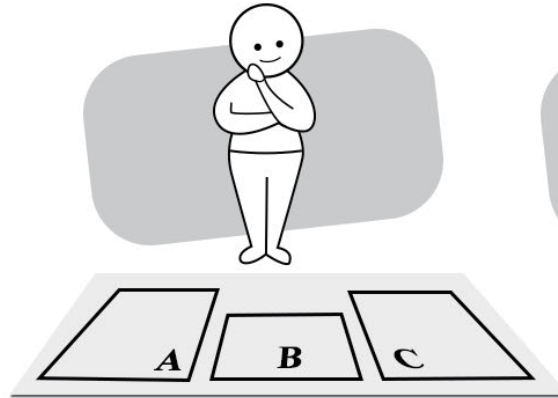
USER MANUAL



Preparation before installation



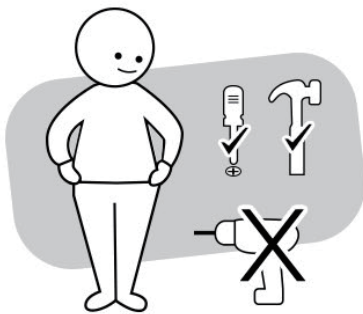
Check the number of parcels before you begin assembly



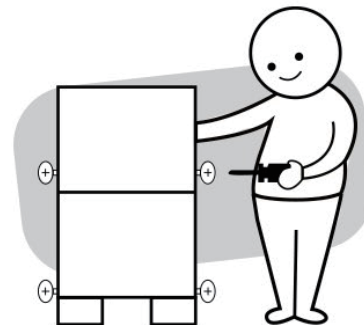
Identify and lay out all of the components before you begin assembly
(It is best to spread it on the ground)



Read through the instructions carefully before you begin



Make sure you have all the required tools.
Never use power tools unless instructed.



Unless instructed, do not fully tighten screws until the item is fully assembled.

Important before assembly:

- ! Read these instructions carefully before assembling or using the product.
- ! Please check the contents of the boxes before attempting to assemble this product. The instructions will have a checklist of parts and fittings.
- ! It would be sensible to lay a rug or a carpet on the floor where you intend to assemble the product, to avoid scratches and damaging the product or the floor.
- ! Assemble the product as close to its intended final location/room as possible.
- ! Do **NOT** use any power tools as this may damage the frame.



Safety and Care Advice

Important – Please read these instructions fully before starting assembly

- Check you have all the components and tools listed on the following pages.
- Remove all fittings from the plastic bags and separate them into their groups.
- Keep children and animals away from the work area, small parts could choke if swallowed.
- Make sure you have enough space to lay out the parts before starting.

- During assembly, do not stand or put weight on the product, this could cause damage.
- Assemble the item as close to its final position (in the same room) as possible.
- Assemble on a soft level surface to avoid damaging the unit or your floor.
- Parts of the assembly will be easier with 2 people.



- We do not recommend the use of power drivers for inserting screws, as this could damage the unit. Only use hand screw drivers.

Glue safety - Take care when using glue, please follow the advice below

Skin contact: Remove contamination by washing with soap and water. This procedure should also be followed prior to eating and drinking.

Eye contact: Rinse immediately with clean water for 15 minutes and seek medical advice.

If swallowed: Seek medical advice immediately.

Care and maintenance

• Only clean using a damp cloth and mild detergent, do not use bleach or abrasive cleaners.

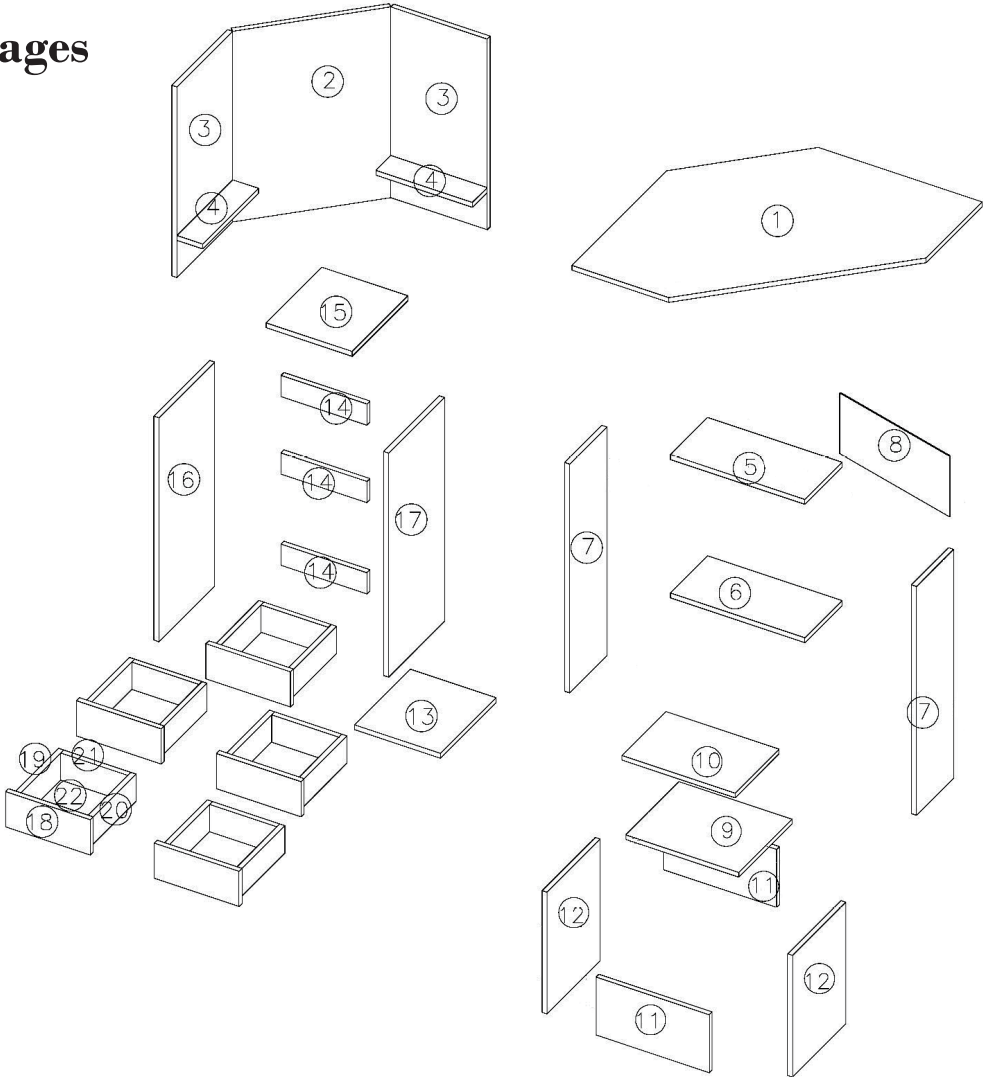
• From time to time check that there are no loose screws on this unit.

• This product should not be discarded with household waste. Take to your local authority waste disposal centre.

Note: if required the next page can be cut out and used as reference throughout the assembly. Keep this page with these instructions for future reference.

Parts List

Total 2 Packages
















- ⑱ *5
- ⑲ *5
- ⑳ *5
- ㉑ *5
- ㉒ *5


Part	Box	Qty
①	1	1
②	1	1
③	1	2
④	2	2
⑤	2	1
⑥	2	1
⑦	2	2
⑧	2	1
⑨	2	1
⑩	2	1
⑪	2	2


Part	Box	Qty
⑫	2	2
⑬	2	1
⑭	2	3
⑮	2	1
⑯	1	1
⑰	1	1
⑱	2	5
⑲	2	5
⑳	2	5
㉑	2	5
㉒	2	5

Hardware List

Part	Description		Qty
A	Big Cam Bolt & Big Cam Lock M6*40mm		71
B	Leg Pin M5*12mm		4
C	Wooden Dowel M8*40mm		32
E	Short Tapping Screw M3.5*14mm		52
F	Tapping Screw M3.5*35mm		20
G	Long Tapping Screw M3.5*45mm		6
H1	Slide Runner-1		5 Sets
H2	Slide Runner-2		5 Sets
I	Butt Hinge		2
J	Screw M6*25mm		8
K	Nail		14
L	LED Bulbs		1

 There are inner box(es) that include components required to complete this assembly.

 Please do not completely tighten all the hardware, until the entire assembly is complete.

 Before discarding the packaging, please use the checklist to ensure that you have all the parts required to assemble your product. Please kindly note you will need the original package if you want to return the product later.



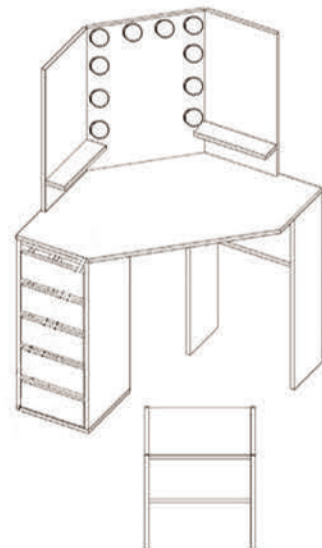
x2



x2



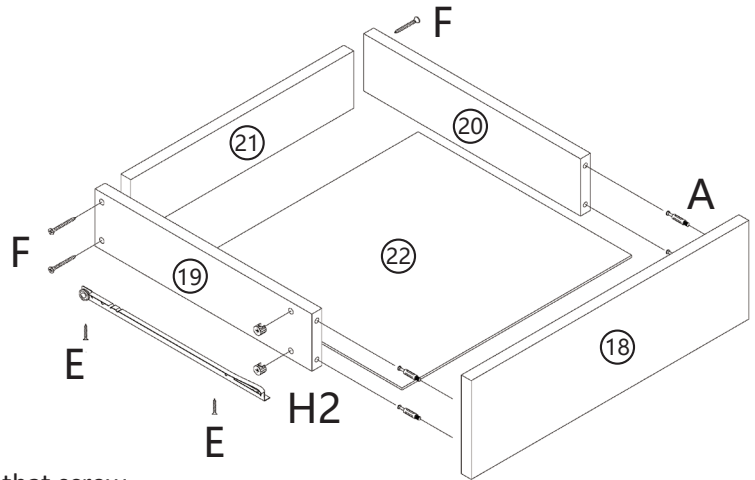
45 mins



STEP 1

Attach Slide Runner & Assemble Drawers

- Screw 4pcs Tapping Screws F into panel ⑱ and Panel ⑳ to connect Panel ㉑ .
- Screw 4pcs of Cambolt A to Panel ⑱ and Panel ⑳, place Panel ㉒ follow the grooves and fit in.
- Fit in Panel ⑱ and tighten 4pcs of Camlock A.
- Screw 2pcs Short Tapping Screws E into panel ⑱, and 2pcs Short Tapping Screws E into panel ⑳ with 2pcs Slide Runner H2.



NOTE

- Please ensure that screw holes are drilled correctly and keep the screws on the slide runners are flat.
- The accessories listed are for 5 drawers.

Panel Required	Qty
⑱	5
⑳	5
㉑	5
㉒	5
⑱	5

H2*10 E*20 F*20 A*20

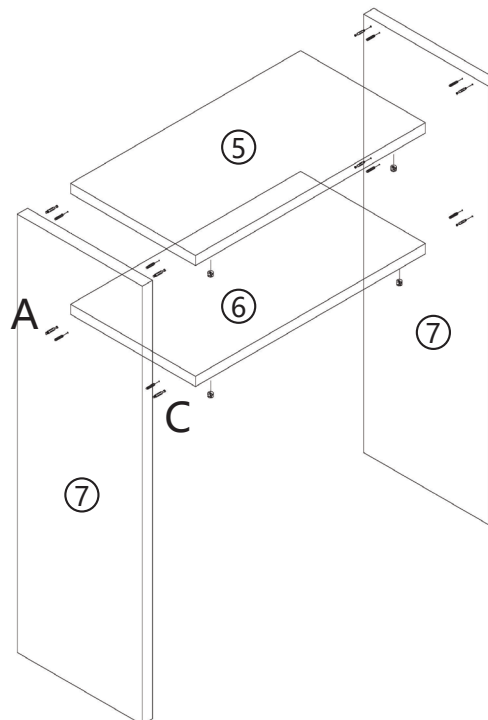
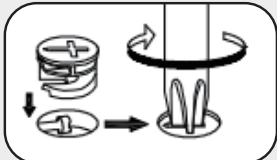
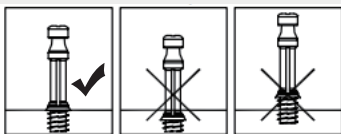
STEP 2

Assemble Right Side of Table

- Screw 8pcs of Cambolt A and 8pcs of Wooden Dowels C to connect Panel ⑤, Panel ⑥ and 2pcs of Panel ⑦.
- Tighten 8pcs Camlock A.

NOTE

Don't screw too deep



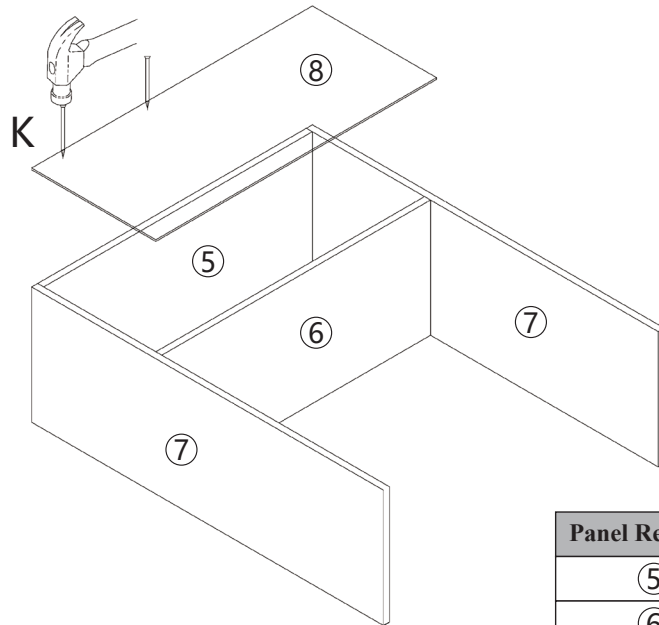
C*8
A*8

Panel Required	Qty
⑤	1
⑥	1
⑦	2

STEP 3

Assemble Back Panel of Left Side

- Drive 14pcs of Nail K into Panel ⑧ with a hammer gently.



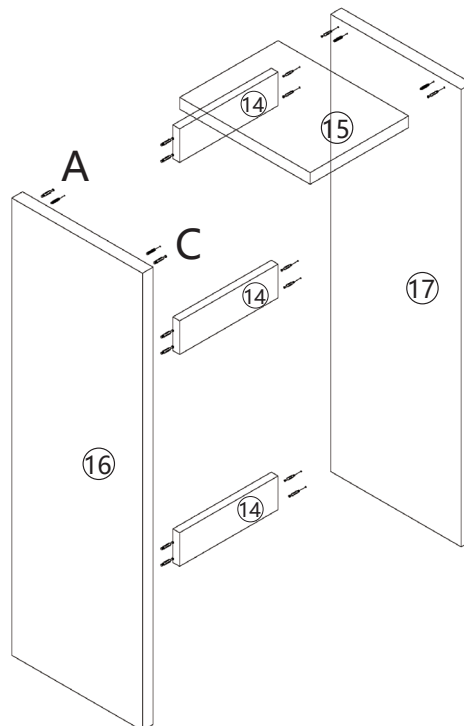
K*14

Panel Required	Qty
⑤	1
⑥	1
⑦	2
⑧	1

STEP 4

Assemble Left Side of Table

- Screw 16pcs of Cambolt A to connect 3pcs of Panel ⑭, Panel ⑮, Panel ⑯ and Panel ⑰.
- Insert 4pcs of Wooden Dowels C to Panel ⑯ and Panel ⑰.
- Tighten 16pcs Camlock A.



C*4

A*16

Panel Required	Qty
⑭	3
⑮	1
⑯	1
⑰	1

STEP 5

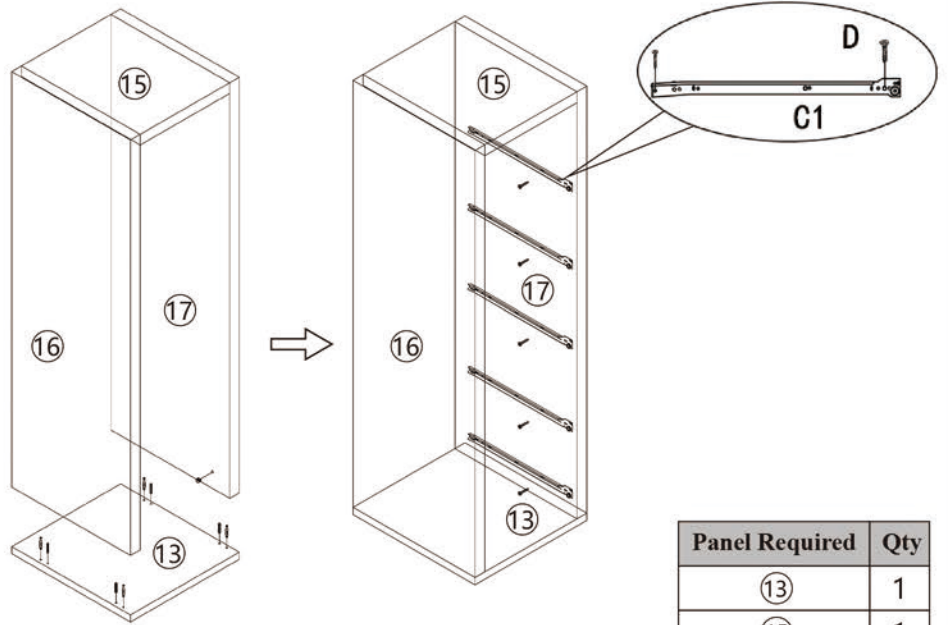
Assemble Drawer Cabinet

- Screw 4pcs of Cambolt A and 4pcs of Wooden Dowels C to connect Drawer Cabinet (installed in STEP 4) to Panel ⑬, then tighten 4pcs Cam-lock A.
- Insert 10pcs Short Tapping Screws E into panel ⑬, and 10pcs Short Tapping Screws E into panel ⑰ with 10pcs Slide Runner H1.



NOTE

Please ensure that screw holes are drilled correctly and keep the screws on the slide runners are flat.



A*4

C*4

E*20

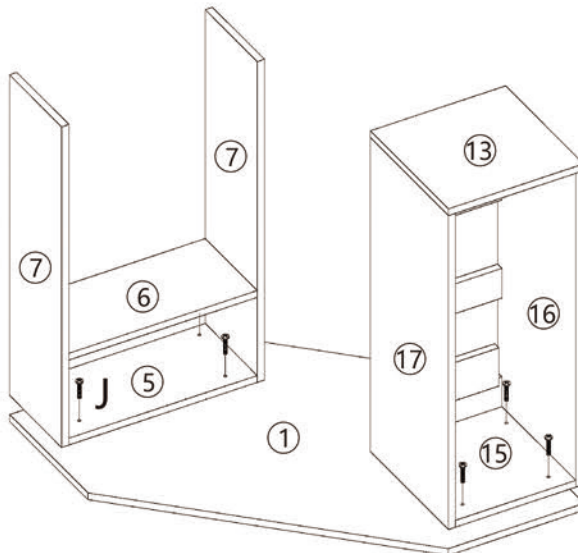
H1*10

Panel Required	Qty
⑬	1
⑮	1
⑯	1
⑰	1

STEP 6

Attach Bottom Part of Table

- Insert 4pcs of Screws J to connect Right Part (installed in STEP 3) to Panel ①.
- Insert 4pcs of Screws J to connect Left Drawer Cabinet Part (installed in STEP 5) to Panel ①.



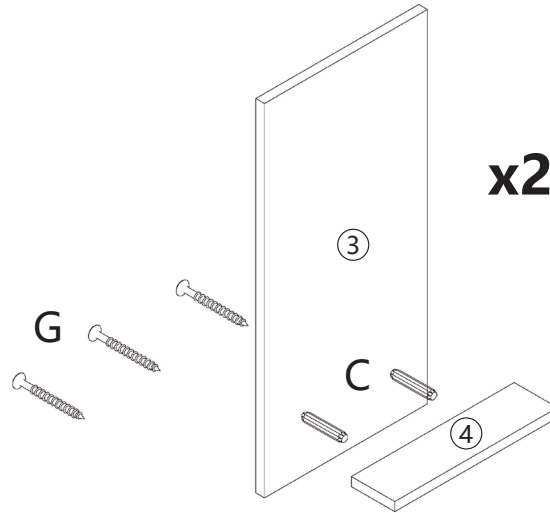
J*8

Panel Required	Qty
①	1
⑤	1
⑥	1
⑦	2
⑬	1
⑮	1
⑯	1
⑰	1

STEP 7

Assemble Mirror Shelf

Insert 3pcs Long Tapping Screw G from back of Panel ③ and 2pcs of Wooden Dowels C front of Panel ③ to connect Panel ④.



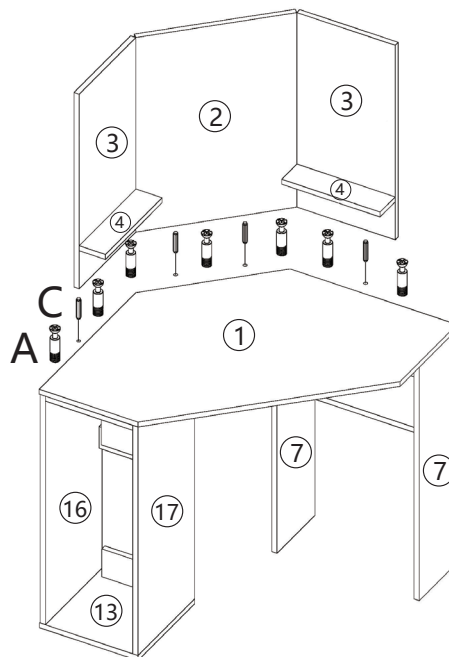
G*6 C*4

Panel Required	Qty
③	2
④	2

STEP 8

Attach Mirrors

Screw 7pcs of Cambolt A and 4pcs of Wooden Dowels C to fit in Mirrors (Panel ②) and 2pcs of Panel ③), then tighten 7pcs Camlock A.



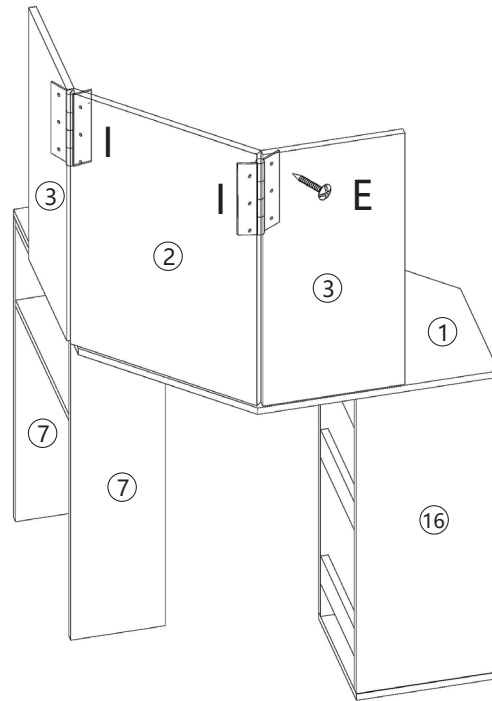
A*7 C*4

Panel Required	Qty
①	1
②	1
③	2
⑦	2
⑬	1
⑭	1
⑮	1

STEP 9

Fit 3 Mirrors

Insert 12pcs of Short Tapping Screws E to connect Panel ② and 2pcs of Panel ③ with 2pcs of Butt Hinges I.



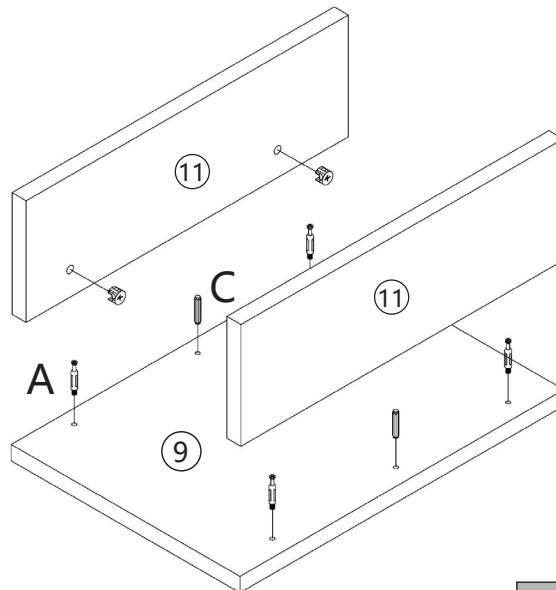
I*2 E*12

Panel Required	Qty
①	1
②	1
③	2
⑦	2
⑬	1

STEP 10

Assemble Seat Frame

Screw 4pcs of Cambolt A and 2pcs of Wooden Dowels C to connect Panel ⑨ and 2pcs of Panel ⑪, then tighten 4pcs Camlock A.



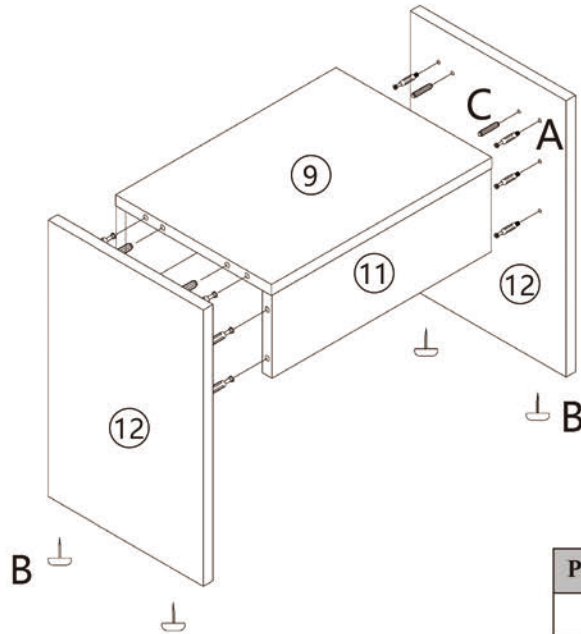
A*4 C*2

Panel Required	Qty
⑨	1
⑪	2

STEP 11

Fit Dressing Stool

- Screw 12pcs of Cambolt A and 4pcs of Wooden Dowels C to connect Seat Frame (installed in STEP10) to 2pcs of Panel ⑫, then tighten 12pcs Camlock A.
- Insert 4pcs Leg pin F into the ends of 2pcs of Panel ⑫.
- Fit Seat Panel ⑩.



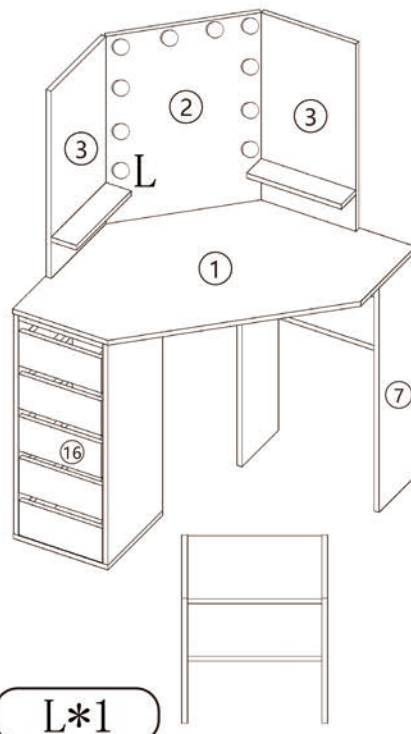
A*12 B*4 C*4

Panel Required	Qty
⑨	1
⑪	1
⑫	2

STEP 12

Get Whole Dressing Table and Stool

- Fix the rail into the slot of the Drawers.



L*1

How to Install the Bulbs?



1. First measure the location to be installed, and mark it with Marker Pen



2. Adjust the LED light wire to a suitable distance, and put the LED light on the mirror to see if it is suitable



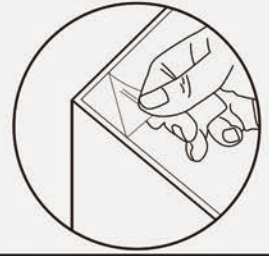
3. Stick the 3M tape on the LED bulb, and then stick the bulb on the mirror in turn



4. Finally adjust the bulb line to keep it neat

PROTECTIVE FILM

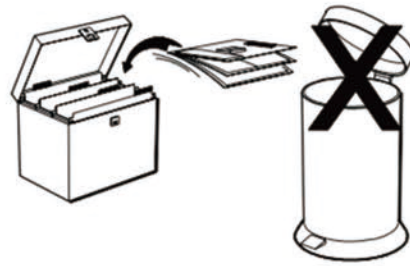
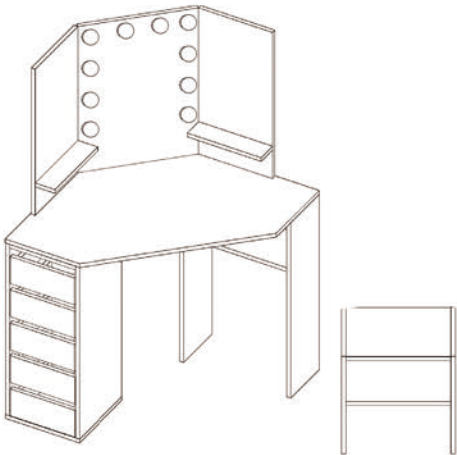
Please remove the protective film before using.



Assembly Completed

Your Dressing Table is now completely assembled

Periodically check to ensure that the components are in their proper position, free from damage Also, make sure the connectors are tight and secure.



Keep instructions for future reference

WARNINGS

- ! This product should only be used on a firm and level floor.
- ! Keep small parts out of reach of children.
- ! Make sure the legs remain in contact with the floor.
- ! **DO NOT** use power tools to construct this product.
- ! **DO NOT** tighten screws until all parts are assembled or as advised in this guide.
- ! **DO NOT** over-tighten screws or bolts.
- ! **DO NOT** use this product if parts are missing, damaged or worn.
- ! **DO NOT** sit or stand on the product.



Frequently Asked Questions

1. I received a damaged package.

When you receive a damaged box, please open this package and check if there are any damaged or missing components inside the box. If so, please provide pictures and contact us through the platform. We will promptly resolve your issue.

2. I received the wrong color or product, which is not what I ordered.

Please provide the following pictures as requested and send them to us through the platform. We will provide a solution as soon as we receive your pictures:

- the item No. on the package.
- the shipping label on the package.
- the actual item you received.

3. My order is incomplete.

Normally, we will send you 1, 2 or 3... packages according to your order. If product you received is incomplete, please contact us to update other package information to you. Missing parts should be reported within 48 hours after delivery. Please email us a description. Once the email and photos have been received, we will contact you to send out spare parts.

4. My item is faulty.

If your item faulty, please provide us with some pictures or videos (if the box is also damaged) through the platform, and we will provide a solution after receiving your pictures. We do our best to make sure all orders arrive in perfect condition. In the rare event that it does not, our customer services team is here to help.



Return & Refund

While we hope you'll be happy with Furniture items, if sometimes you need to return them. This policy has all the information you'll need to know.

1. How to cancel my order?

If you wish to cancel your order for any reason, please contact us immediately. Only orders that have not yet been dispatched can be canceled. If the order has already been dispatched we will not be able to cancel at the platform and the below policy will apply.

2. How do I make a return?

If you wish to return an item that is no problem. We're happy to offer a refund or an exchange, as long as it's within the return period. You must return the item(s) to us within 30 days of receiving your order. To make the return process as quick and smooth as possible, please follow the below steps:

- a. Contact us by email within 30 days of your delivery to let us know you would like to return or exchange as well as why you would like to do so. We will solve the problem for you then.
- b. Make sure the item your order is in the original boxes. If you have not kept the original boxes, it is your responsibility to make sure the products are re-boxed, we do not provide additional boxes. Items must not have been used or assembled in any way. Please include the return slip in the box or write your order number on the outside.

3. Receiving your refund

When we reach a consensus, we will refund the money to the same way you paid for the product.

Please allow up to 5-14 working days for the refund to show in your account, which is the time for the bank to operate the refund.



General Care & Maintenance

Your furniture, if treated with respect and love, will last you a long time.
Each piece requires light maintenance to maximize its longevity.

Few quick tips before using this product:

1. Recommended weight limit for the table top is 15kg(33lbs) for each storage compartment.
2. Avoid uneven weight distribution for long time as it may cause damage to the product shape.
3. Table top may not slide smoothly when table is overloaded by weight.
4. Check and tighten the camlock and screw periodically as it may loose over the time.

How to take care of it?

1. Avoid direct sunlight or use curtains or blinds to limit the sun exposure to the product.
2. Clean the product regularly with a dry, soft cloth.
3. Avoid using abrasive or liquid cleanser.
4. Avoid placing hot objects onto the table top surface
5. Spillage may damage the surface. Clean immediately with a dry cloth
6. We recommend using placemats or coasters underneath glasses, cups, bowls or plates to prevent scratches to the table surface.

NOTES:

When moving your product, carefully lift into place. Never drag or push the product across the floor as this will cause damage to the joints. If the product is used on hard flooring, such as wood or laminated floor, you must place some protection under the legs to stop the product from moving. If this is not adhered to, it could result in failure to the product that will invalidate the warranty.