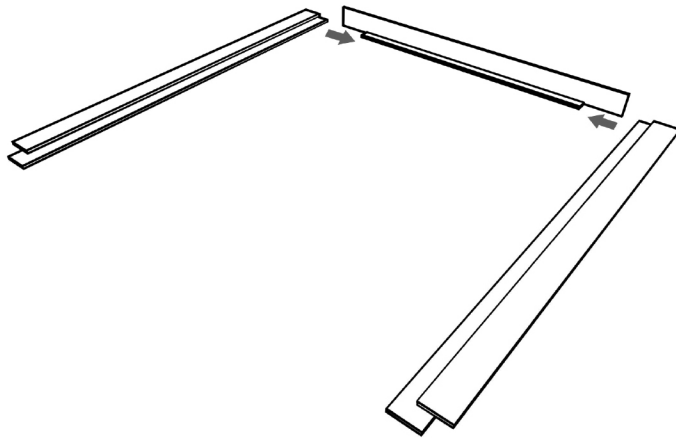
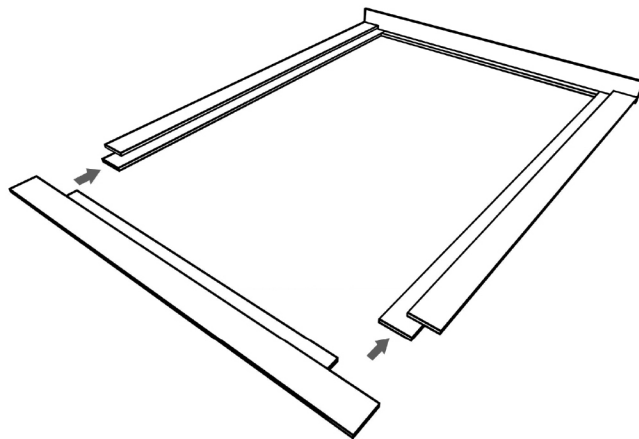


### 1 HEADBOARD



Assemble frame by positioning pieces together.

### 2 FOOTBOARD

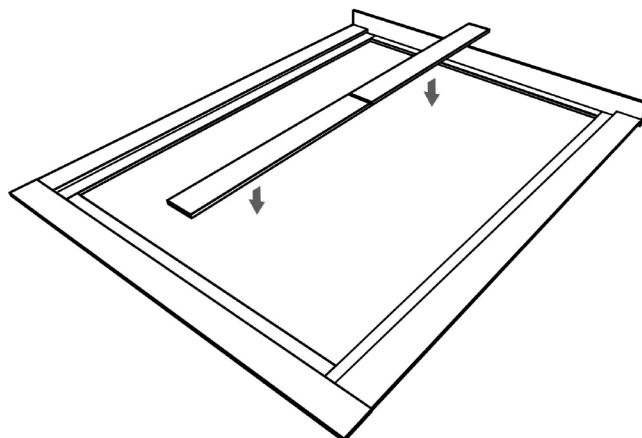


Assemble frame by positioning pieces together.

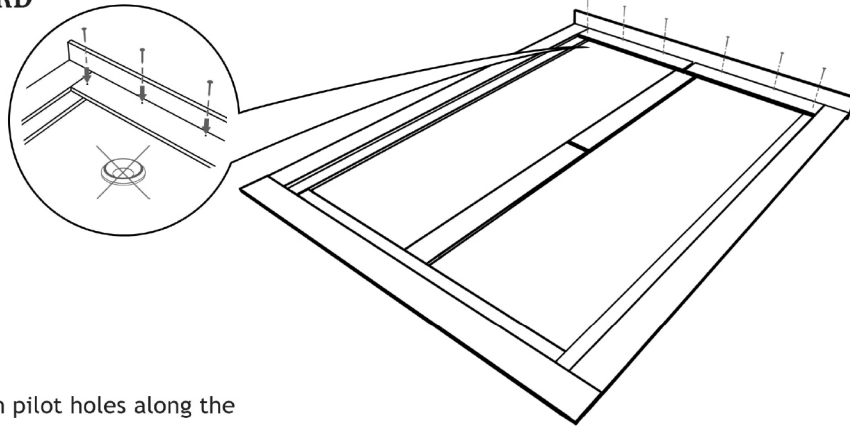
### 3 CENTRAL SUPPORT

Place the support rail in the centre.

(6ft Super King and Larger Only)  
(US California King and Larger Only)

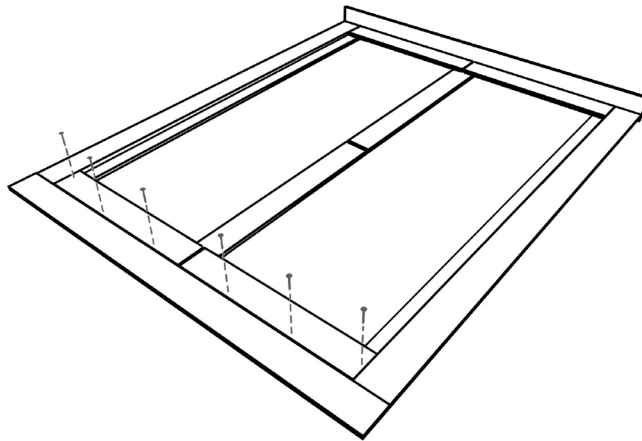


#### 4 HEADBOARD



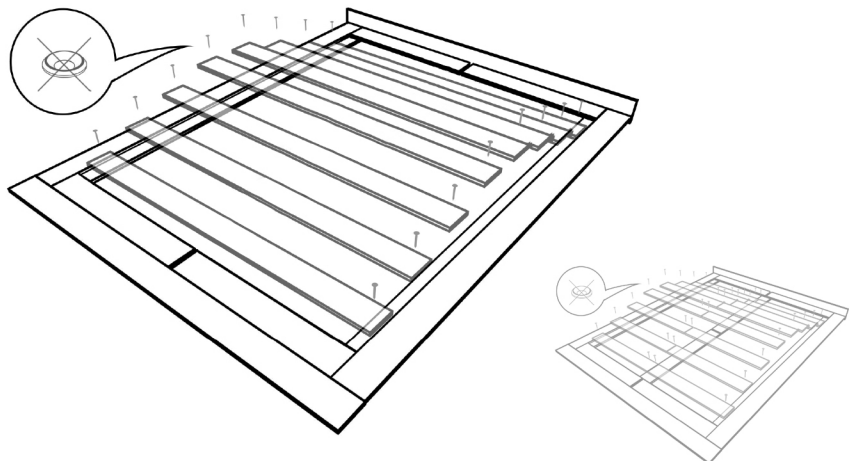
Position slats with pilot holes along the headboard, affix.

#### 5 FOOTBOARD



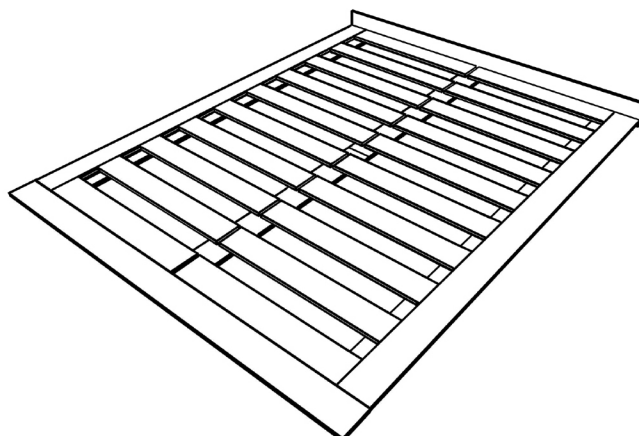
Repeat the previous step for the footboard.

#### 6 SLATS



Evenly space remaining slats, affix.

#### 7 FINISHED



All slats must be secured as instructed. Failure to do so will void the guarantee.

Time for a cup of tea, go on!