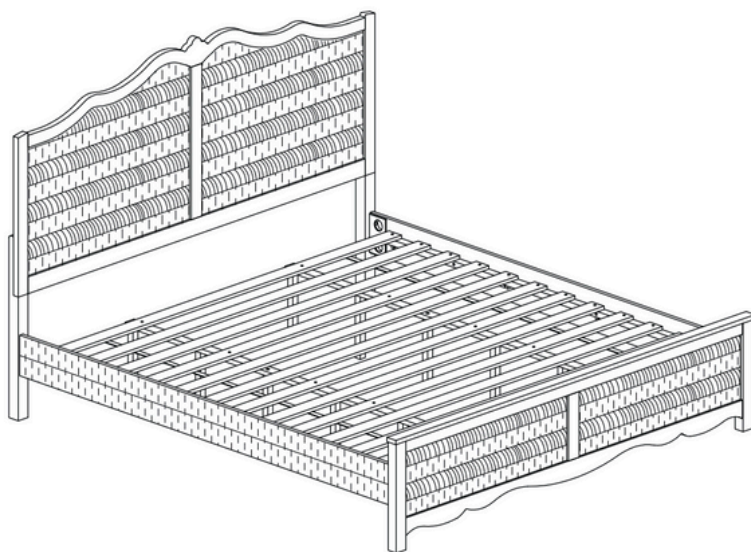


USER'S MANUAL

KING SIZE SOLID WOOD BED



THE ITEM IS DIVIDED INTO **2** PACK-
AGES DUE TO ITS LARGE SIZE.
PLEASE WAIT UNTIL ALL PACKAGES
ARRIVE BEFORE INSTALLING.

Guide of Manual

- Thanks for your choice. **We will do our best to provide customer service for everyone.**
- Please check to make sure all parts are included as stated when you unpack. If there are parts missing or wrong, please contact us, **we will expeditiously provide reissue accessories, compensation or other services.**
- Instruction should be read carefully. But the manual may not cover every detail of all possible situations and steps. **Please contact us if further information and help are needed. We will respond in a timely manner.**
- **Please be patient that the other items are on the way if you buy more than one product.**

Warning

- It's kindly advised to assemble this product on a carpeted floor to protect it from being scratched.
- Small parts are included. Please keep the product away from children while assembling. Do not let children play or jump on the product. Do not stand on the item or use as a step ladder.
- Please pay attention to the sharp corners during assembly. We recommend the use of gloves to prevent the undesired injury.
- Prior to use, please check to see if there's any loosening screw or part. Make sure that each screw and part is correctly installed and securely fastened.
- It's unnecessary to use electric drill. Please at a low gear if you need.

Care and Maintenance

- Use a soft, clean cloth that will not scratch the surface when dusting.
- There's no need to use furniture polish. If you need, test it first in an inconspicuous area. Using solvents of any kind on your furniture may damage the finish. Never use water to clean your furniture as it may cause damage to the finish.
- Liquid spills should be removed immediately. Gently blot the spill with a soft clean cloth to avoid rubbing.
- Oil sealing regularly is not needed.

Further Advice about the Furniture Care

- It is best to keep your furniture in a climate-controlled environment.
- Do not expose the product to the hot sun for a long time, and don't keep the item near to heat and fire sources such as heat vent, stove, fireplaces, radiators, etc.
- Following these important and helpful tips will help retain your furniture's performance even when it ages.
- Periodically (every 90 days) make sure the screws are fully tightened.

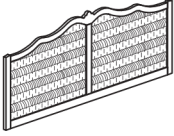
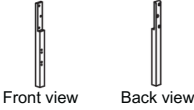
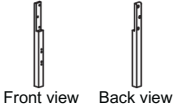
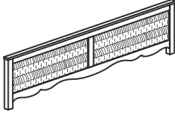
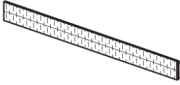
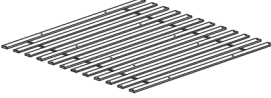


Max Weight Capacity

- **800lbs [Do not stand on the item]**

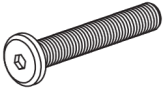








Parts and Hardware List:

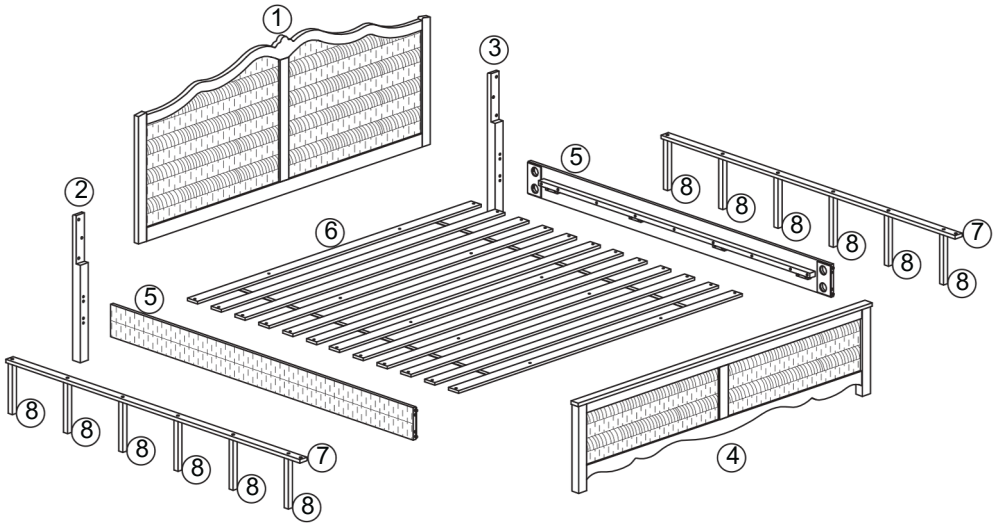
- Make sure all parts are in the package.
- "+" below list indicates that additional pieces are replacement parts.

Parts List

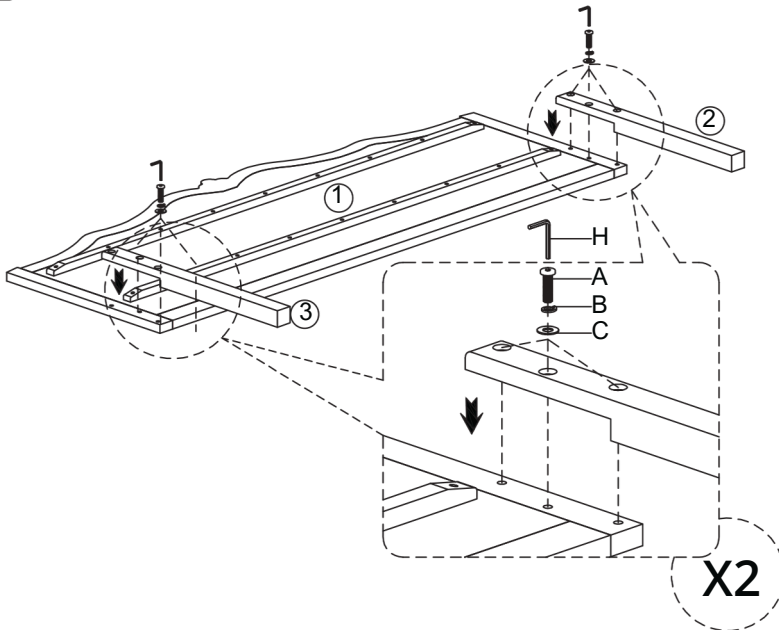
<p>①x 1PC Headboard</p> 	<p>②x 1PC Left Leg</p>  <p>Front view Back view</p>	<p>③x 1PC Right Leg</p>  <p>Front view Back view</p>	<p>④x 1PC Footboard</p> 
<p>⑤x 2PCS Side Rails</p> 	<p>⑥x 1PC Slats</p> 	<p>⑦x 2PCS Slats Support Bars</p> 	<p>⑧x 12PCS Center legs</p> 

Hardware List

<p>A x 6+1PCS Small Bolt</p>  <p>Ø5/16" x 40mm</p>	<p>B x 14+2PCS Spring Lock Washer</p>  <p>Ø5/16" x 1.5mm</p>	<p>C x 14+2PCS Flat Washer</p>  <p>Ø5/16" x 19 x 2mm</p>	<p>D x 8+1PCS Large Bolt</p>  <p>Ø5/16" x 75mm</p>
<p>E x 8+1PCS Half Moon Washer</p>  <p>29mmx15mmx8mm</p>	<p>F x 8+1PCS Hex Nut</p>  <p>Ø5/16"x12mmx12mm</p>	<p>G x 1PC Wrench</p> 	<p>H x 1PC Allen Wrench</p>  <p>4mm</p>
<p>J x 36+10PCS Wood Screw</p>  <p>Ø8 x 28mm</p>	<p>Tools required (Not provided) Cross-head Screwdriver</p>		



1 Please tighten bolt A to 100%.

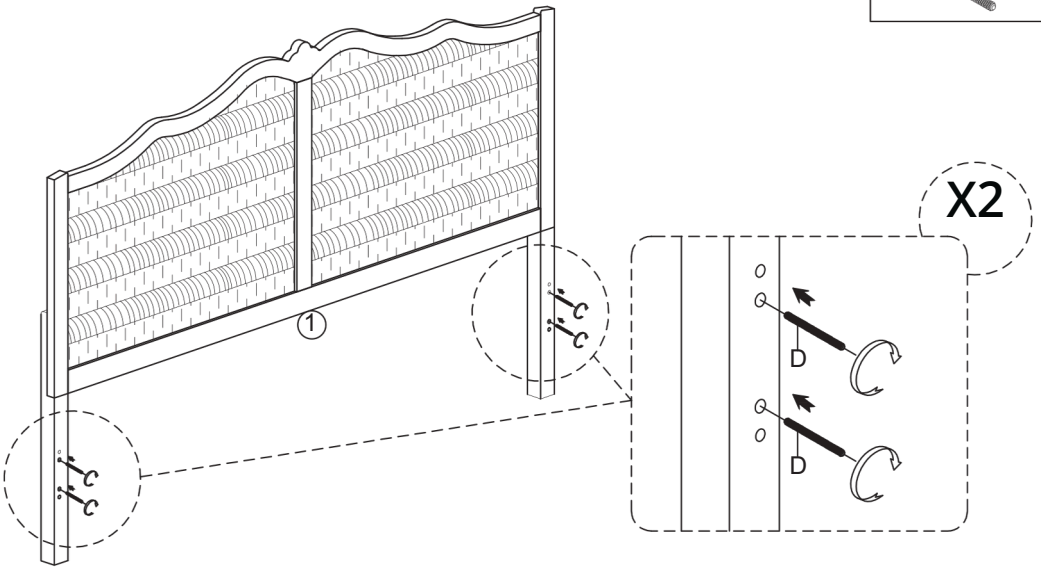


A		6
B		6
C		6
H		1






	80%	<input type="checkbox"/>
	100%	<input checked="" type="checkbox"/>





2 Attach all D to ①

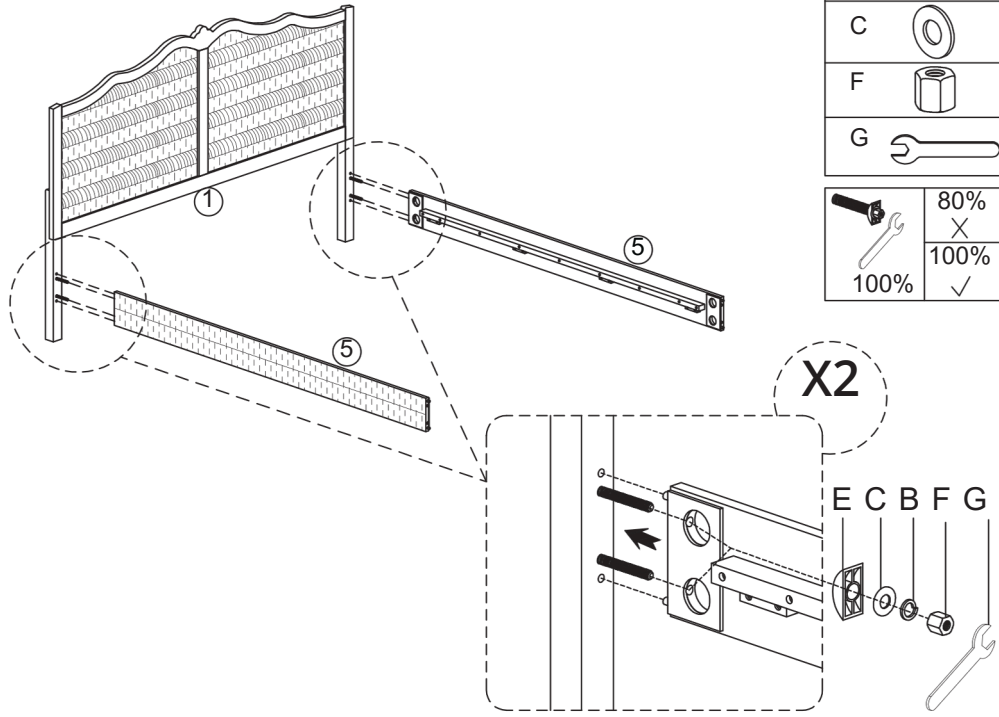
D  4



3 Connect the panels 5 and 1, and then place the E, C, B, F into the holes in turn and tighten with G.

E		4
B		4
C		4
F		4
G		1

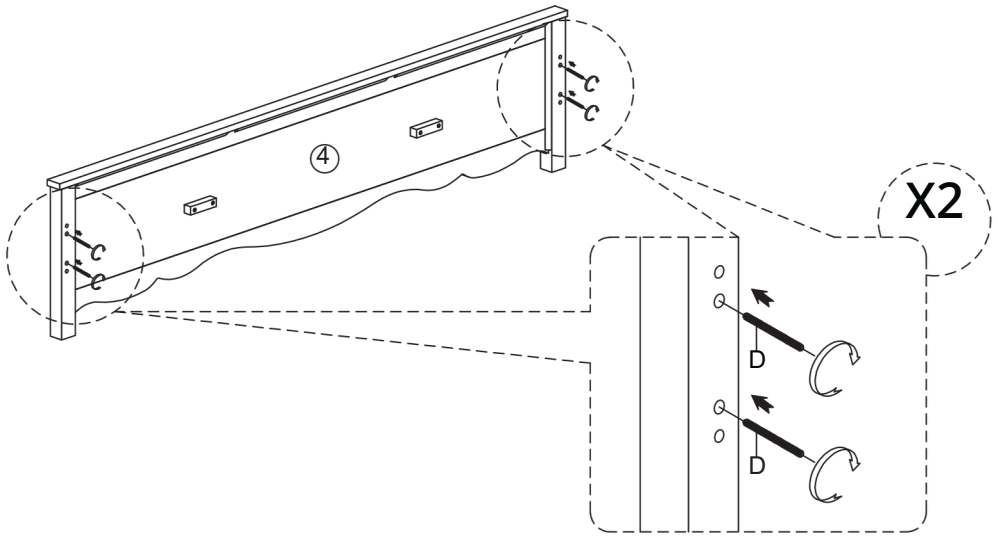
	80% X	
	100% ✓	



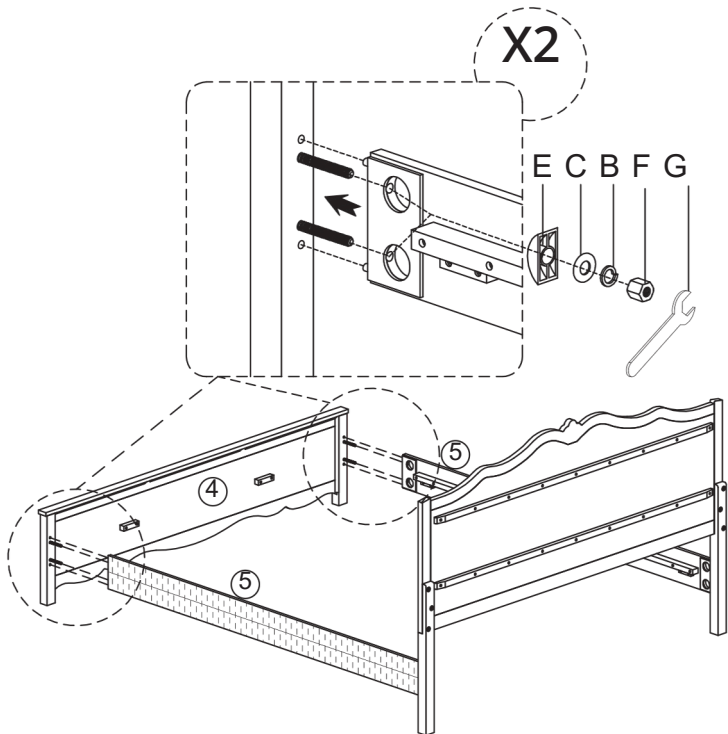
5






4 Attach all D to 4




D  4



5 Connect the panels 4 and 5, and then place the E, C, B, F into the holes in turn and tighten with G.

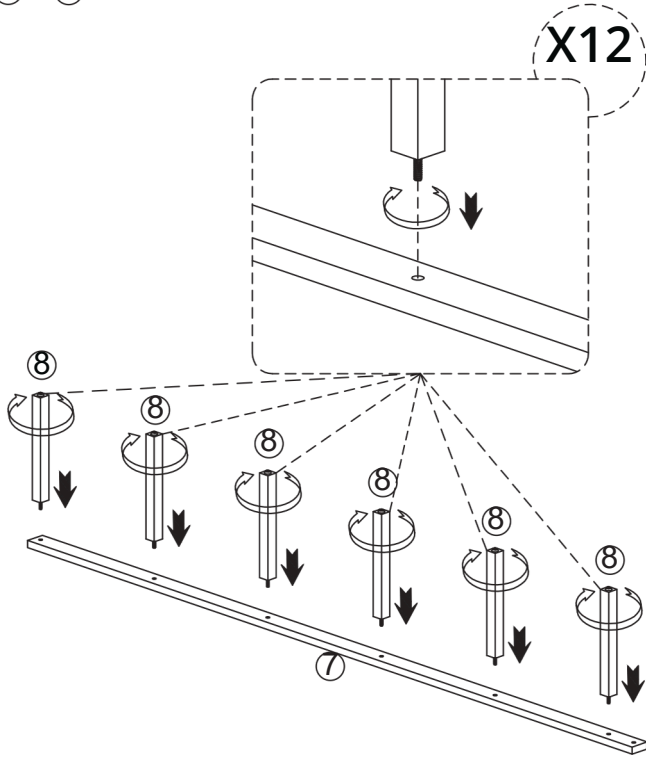


E		4
B		4
C		4
F		4
G		1

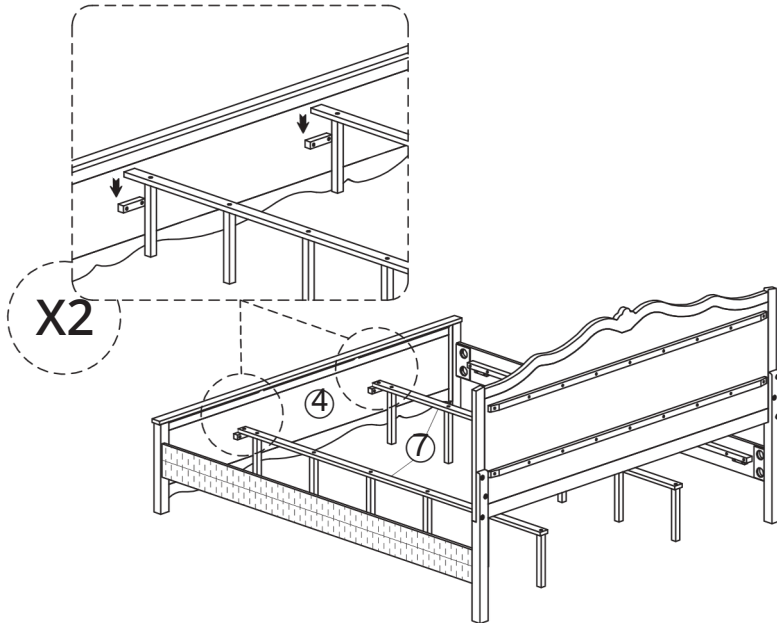
	80% X	
100%	✓	

6

6 Attach all 8 to 7.

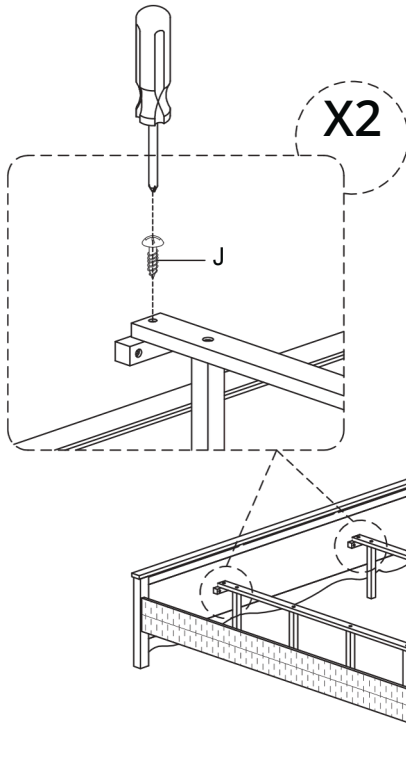



7 Place 7 on the support blocks of the panels 4.



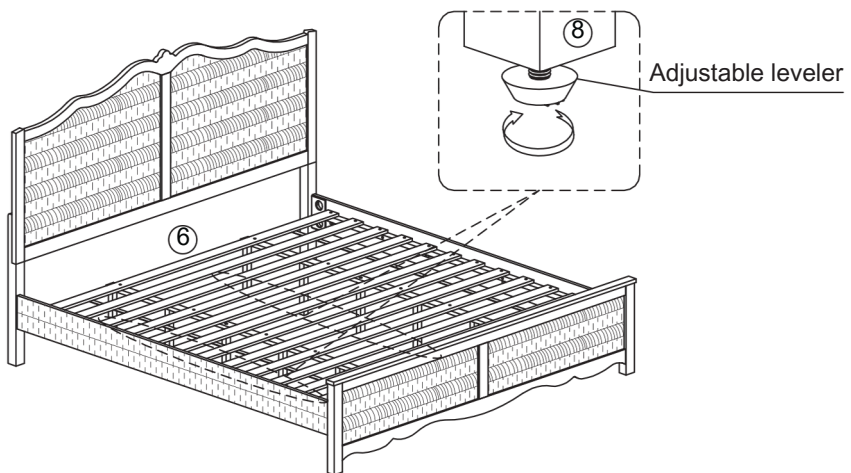
8 Please tighten J to 100 %.

J  2



	80% X
	100% ✓

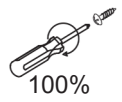
9 Adjust the leveling feet of the legs (8) to ensure all slats (6) are leveled and staying at the same level.



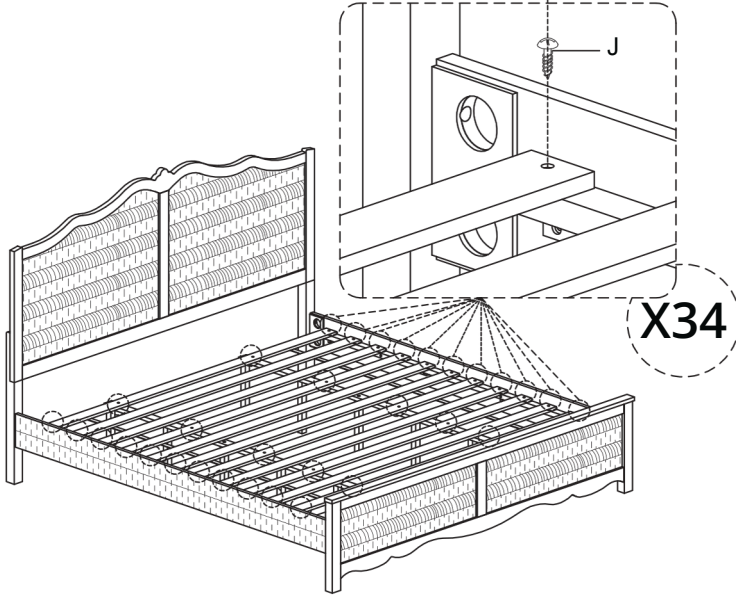
10 Please tighten J to 100 %.

J  3 4

Tools required
(Not provided)



80%	✗
100%	✓



FINISHED

