


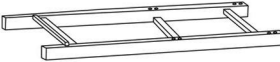



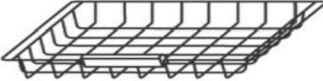







USER'S MANUAL

Kitchen Trolley

THIS INSTRUCTION BOOKLET CONTAINS **IMPORTANT** SAFETY INFORMATION. PLEASE READ AND KEEP FOR FUTURE REFERENCE.












Parts Identification

Not actual size

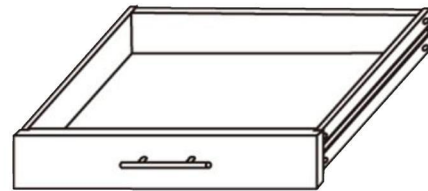
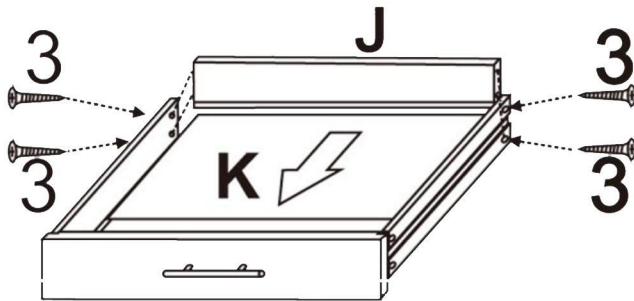
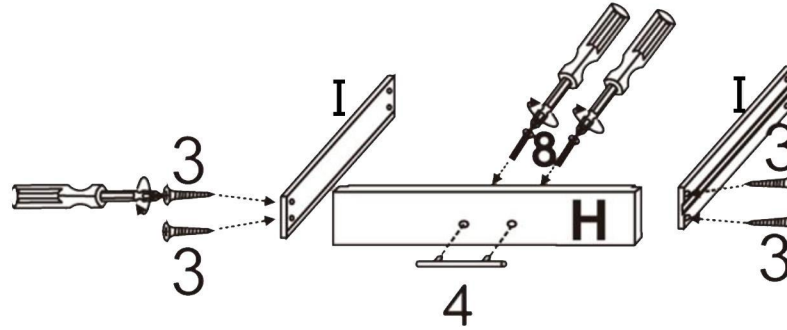
A	Table Top		x1
B	Left Leg		x1
C	Right Leg		x1
D	Bar		x2
E	Bottom Bar		x2
F	Basket		x1
G	Tray		x1
H	Drawer front panel		x1
I	Drawer side panel		x2
J	Drawer back panel		x1
K	Drawer bottom panel		x1
L	Bottom Shelf		x1
M	Basket Bar		x2

Hardware List

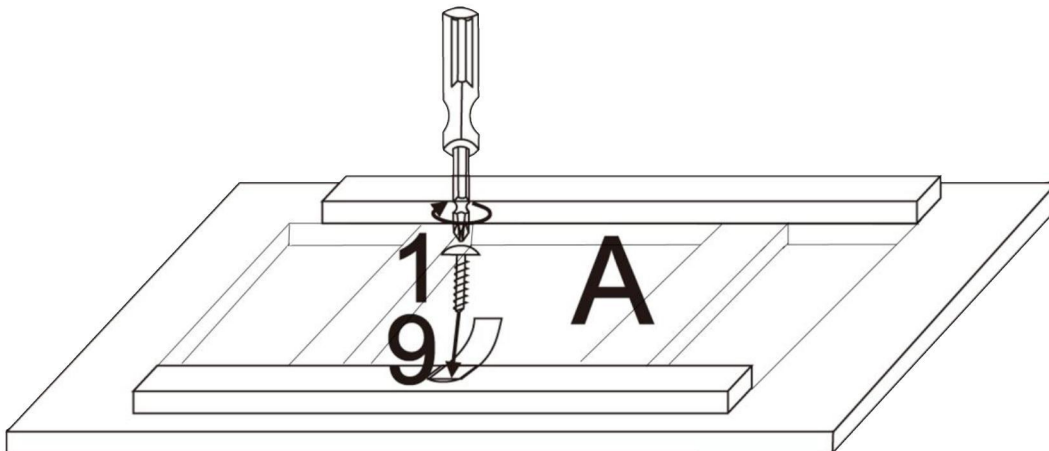
Actual size

①	Screw	 3 × 12mm	x1
②	Allen Bolt	 5 × 40mm	x16
③	Screw	 3 × 25mm	x8
④	Drawer handle		x1
⑤	Wrench		x1
⑥	Industrial wheel With Brake		x2
⑦	Industrial wheel		x2
⑧	Bolt	 4 × 16mm	x2
⑨	Drawer stopper		x1
⑩	Wood plug	 6 × 30mm	x4
⑪	Basket Bar Screw	 3 × 20mm	x6

STEP 1

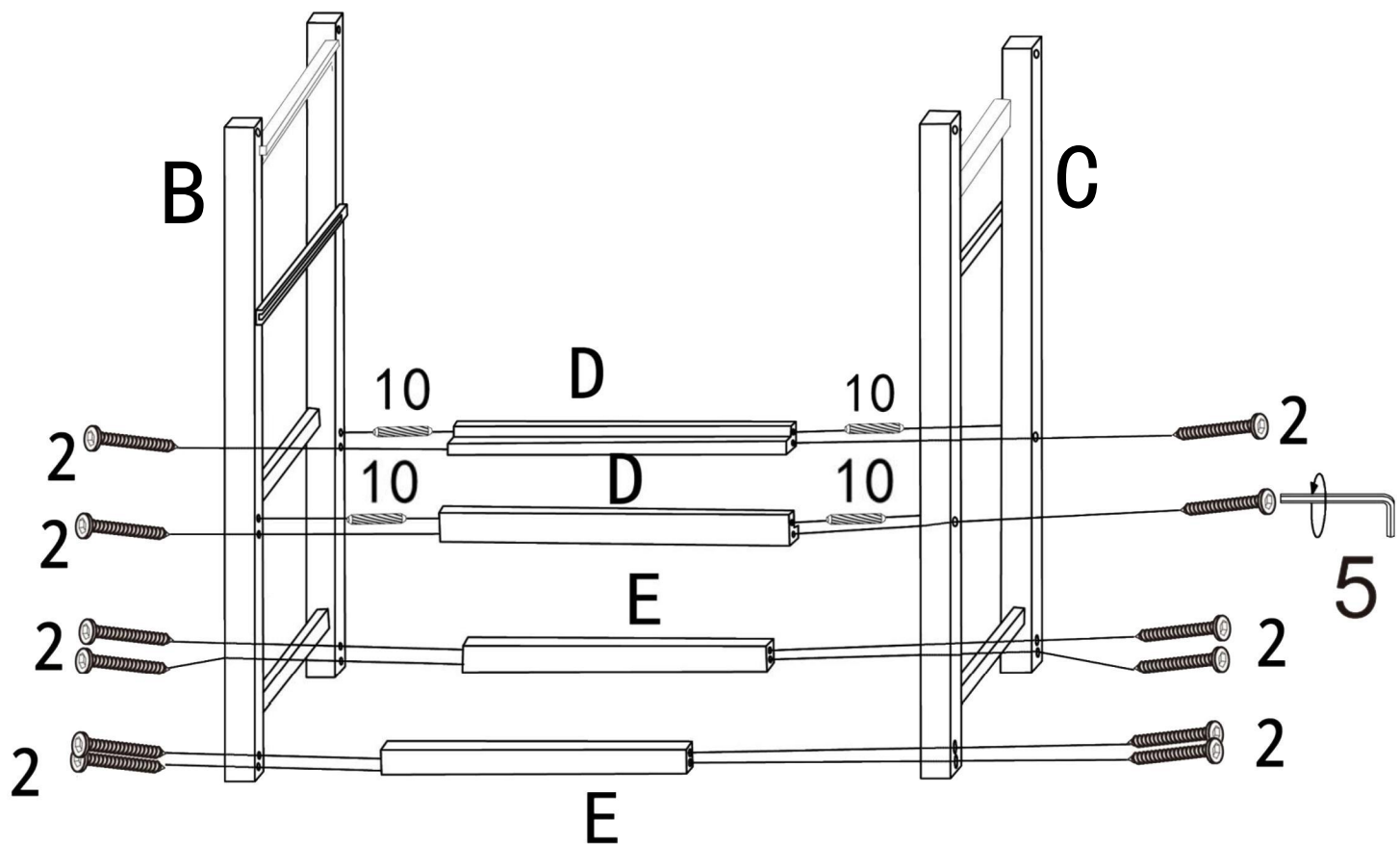
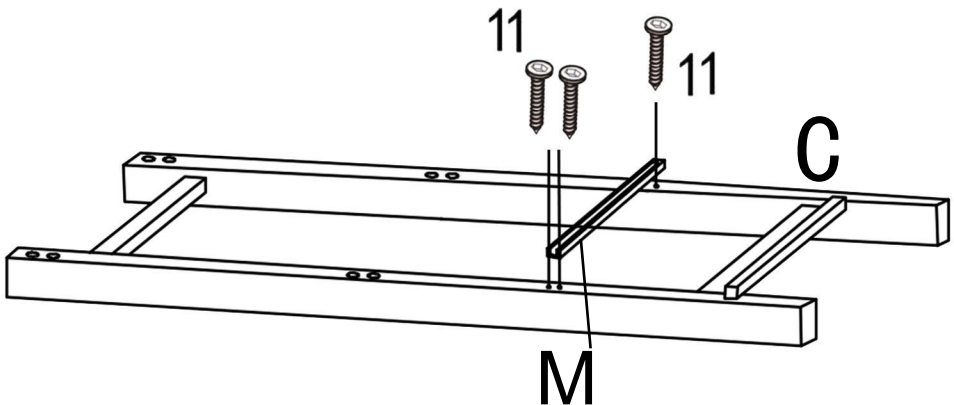
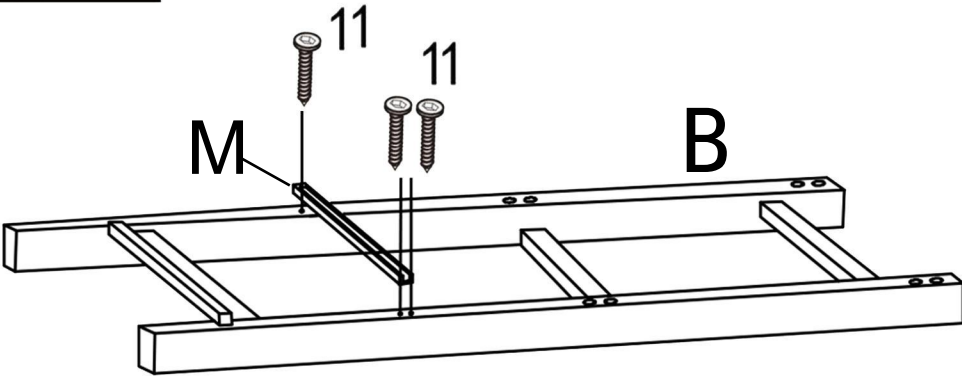


STEP 2



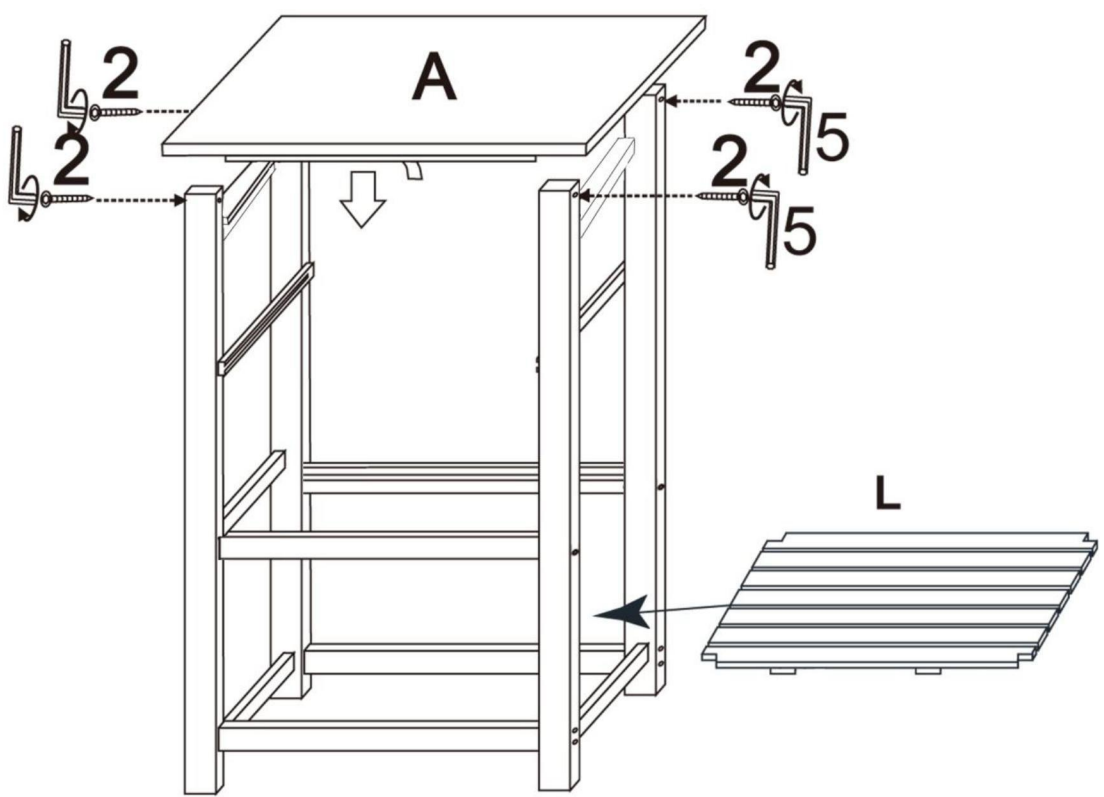
PRODUCT ASSEMBLY

STEP 3

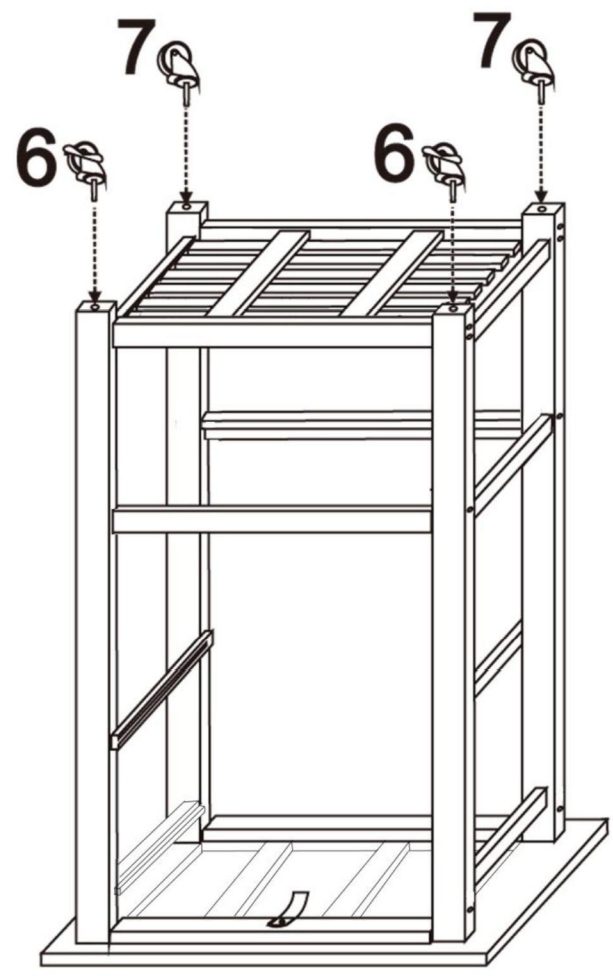


PRODUCT ASSEMBLY

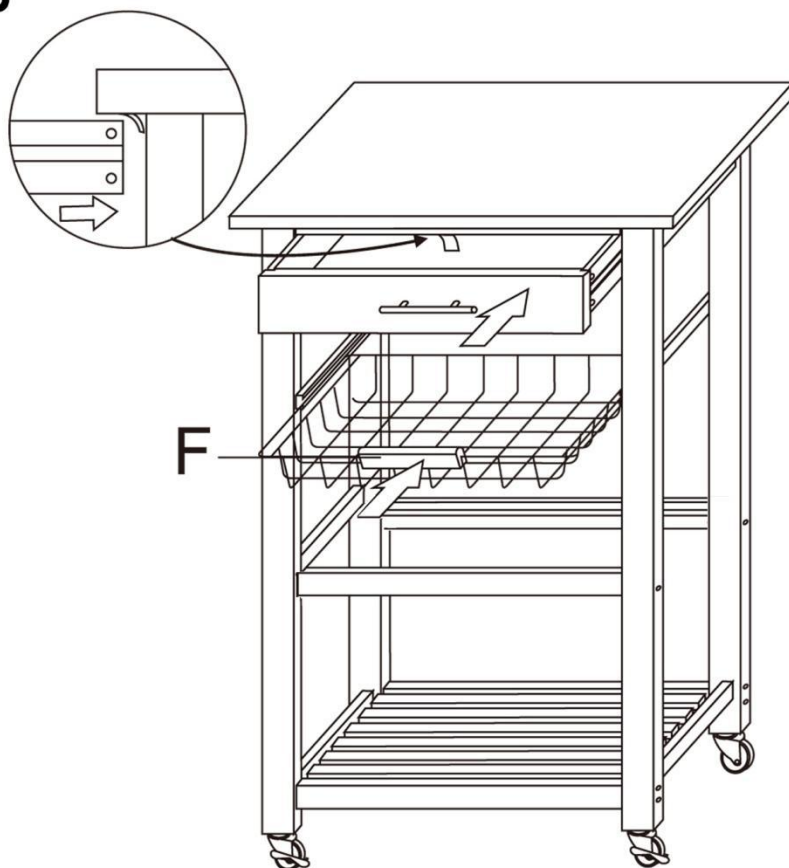
STEP 4



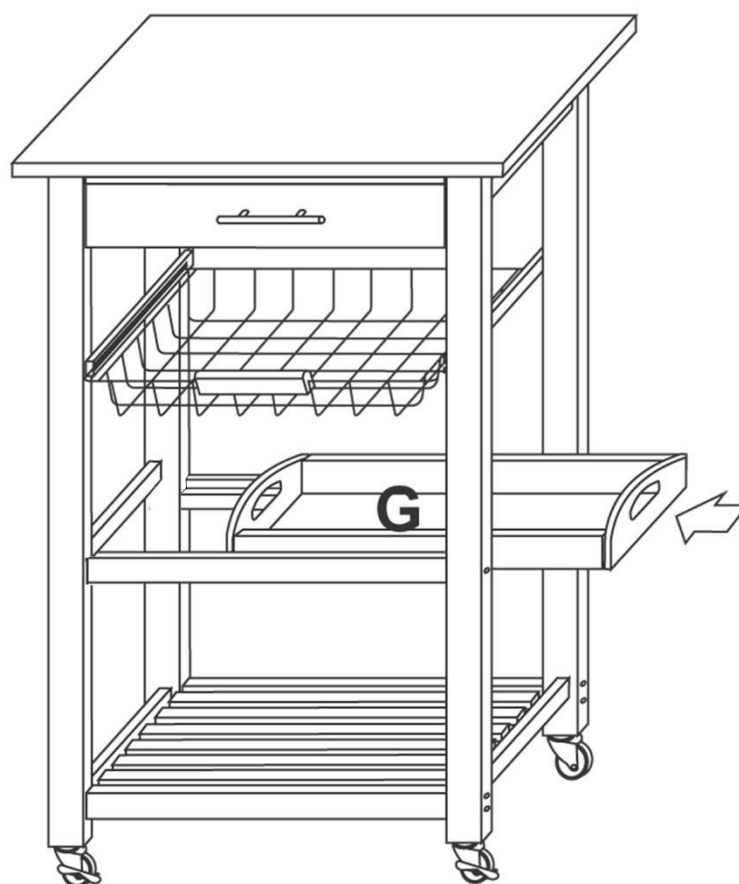
STEP 5



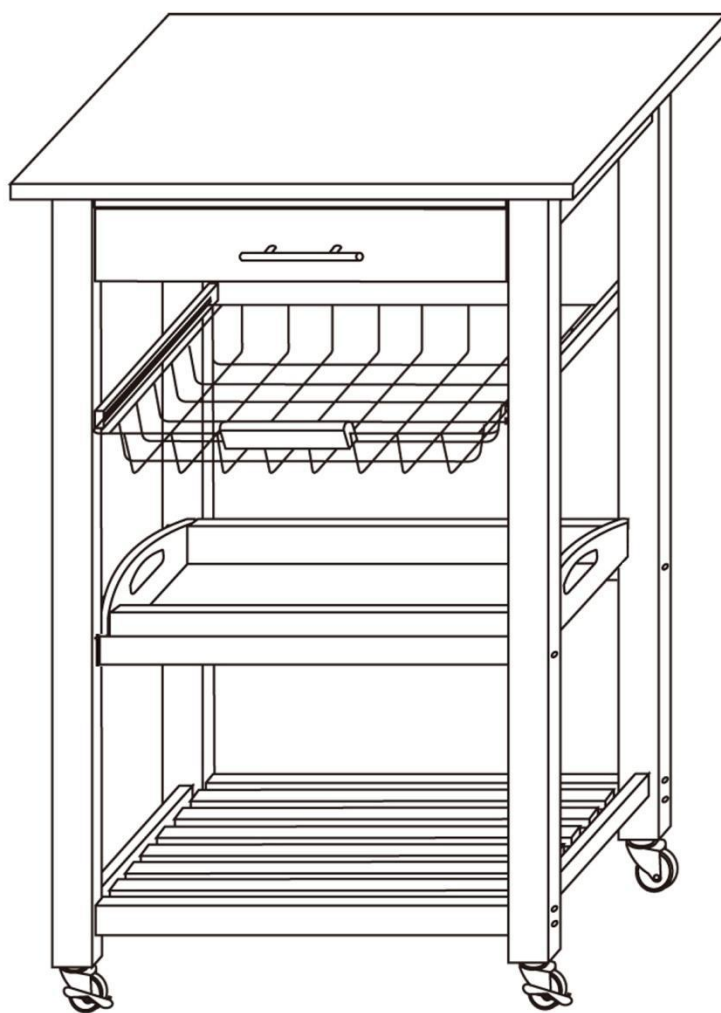
STEP 6



STEP 7



STEP 8



Care and Maintenance

Use a soft, clean cloth that will not scratch the surface when dusting.

Use of furniture polish is not necessary.

Should you choose to use polish, test first in an inconspicuous area.

Using solvents of any kind on your furniture may damage the finish.

Never use water to clean your furniture as it may cause damage to the finish.

Liquid spills should be removed immediately. Using a soft clean cloth, blot the spill gently. Avoid rubbing.

Check bolts/screws periodically and tighten them if necessary.

Further advice about wood furniture care

It is best to keep your furniture in a climate-controlled environment.

Extreme temperature and humidity changes can cause fading, warping, shrinking and splitting of wood.

It is advised to keep furniture away from direct sunlight as sun may damage the finish.

Proper care and cleaning at home will extend the life of your purchase.

Following these important and helpful tips will enhance your furniture as it ages.