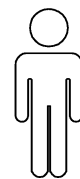
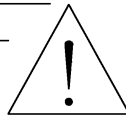
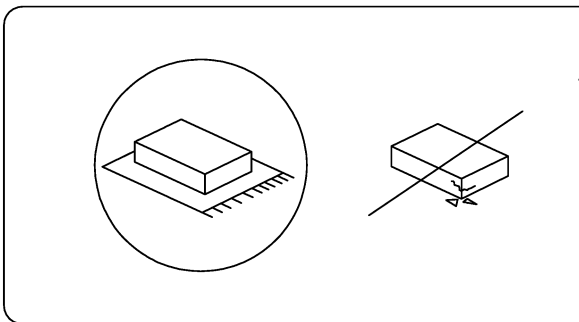
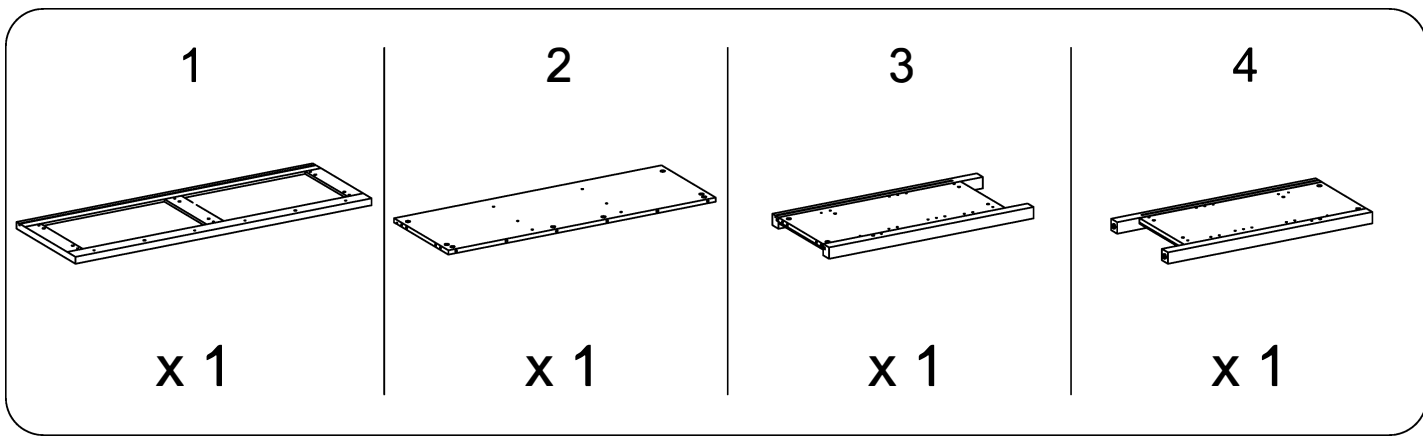
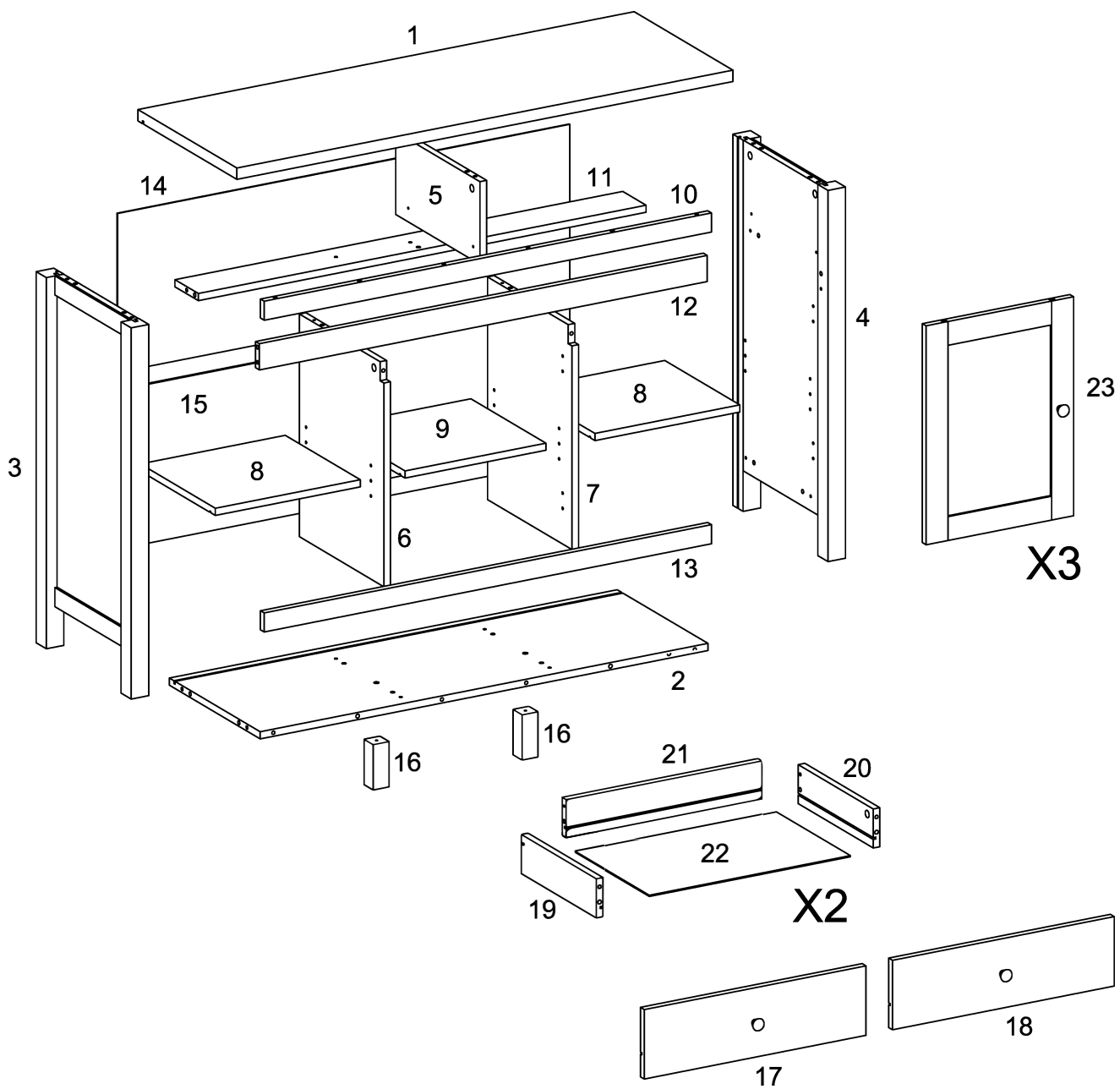


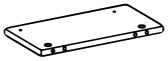
90'



2

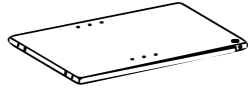


5



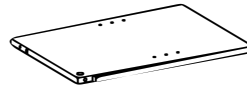
x 1

6



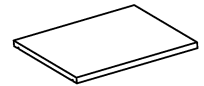
x 1

7



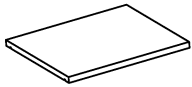
x 1

8



x 2

9



x 1

10



x 1

11



x 1

12



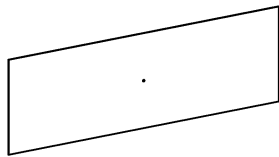
x 1

13



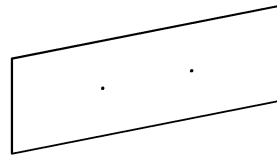
x 1

14



x 1

15



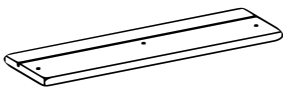
x 1

16



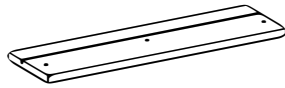
x 2

17



x 1

18



x 1

19



x 2

20



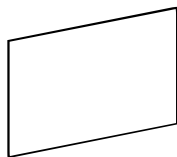
x 2

21



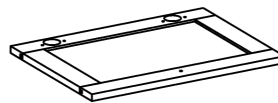
x 2

22



x 2

23



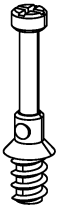
x 3

A



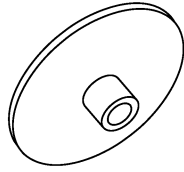
x 28

B



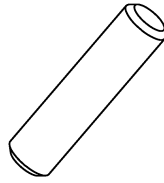
x 28

C



x 20

D



x 33

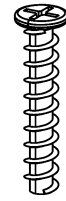
E



M6
x
12

x 8

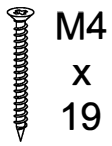
F



M10
x
33.5

x 13

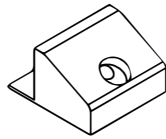
G



M4
x
19

x 16

H



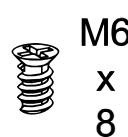
x 16

I



x 1

J



M6
x
8

x 8

K



M4
x
10

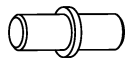
x 15

L



x 1

M



x 12

N



M4
x
20

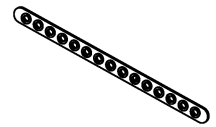
x 5

O



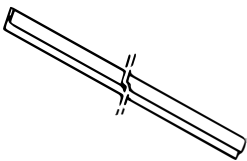
x 5

P



x 1

Q



x 1

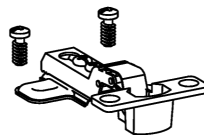
R



M3
x
12

x 5

S



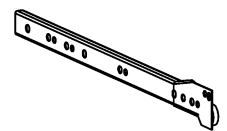
x 2

T



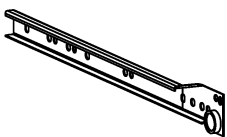
x 4

U1



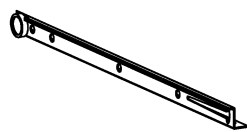
x 2

U2



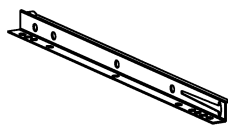
x 2

U3



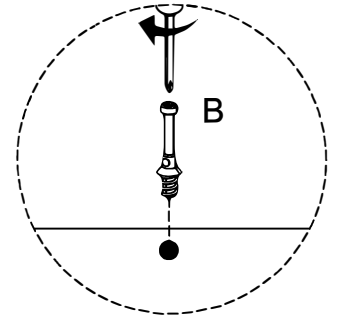
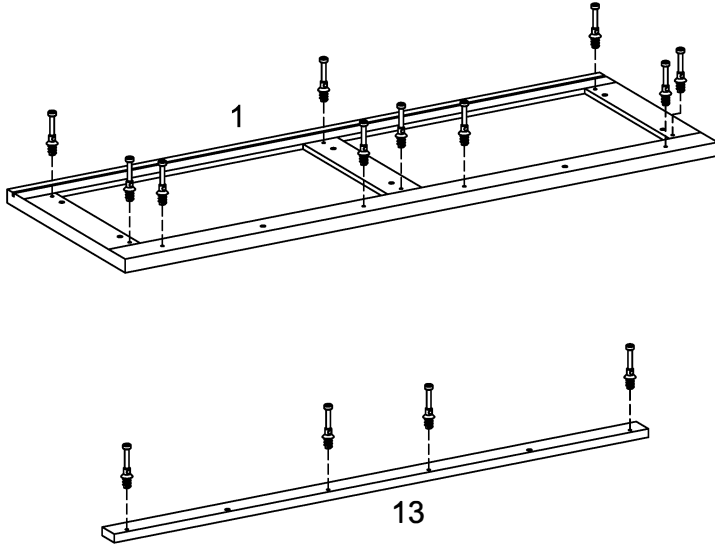
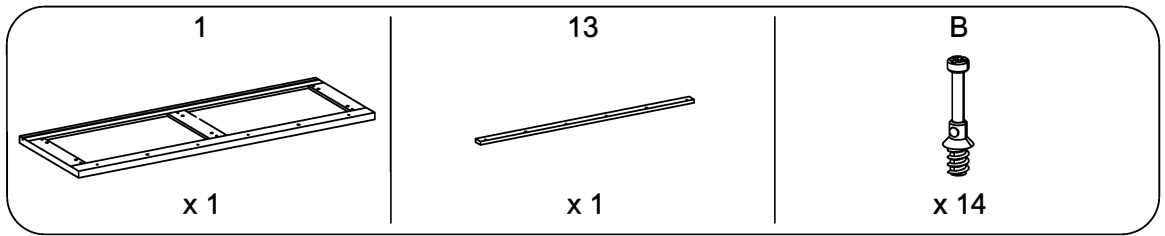
x 2

U4

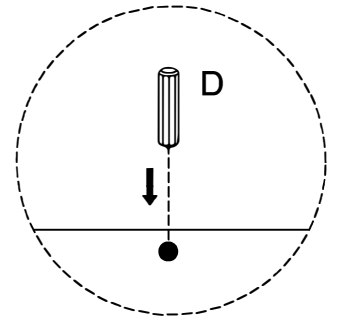
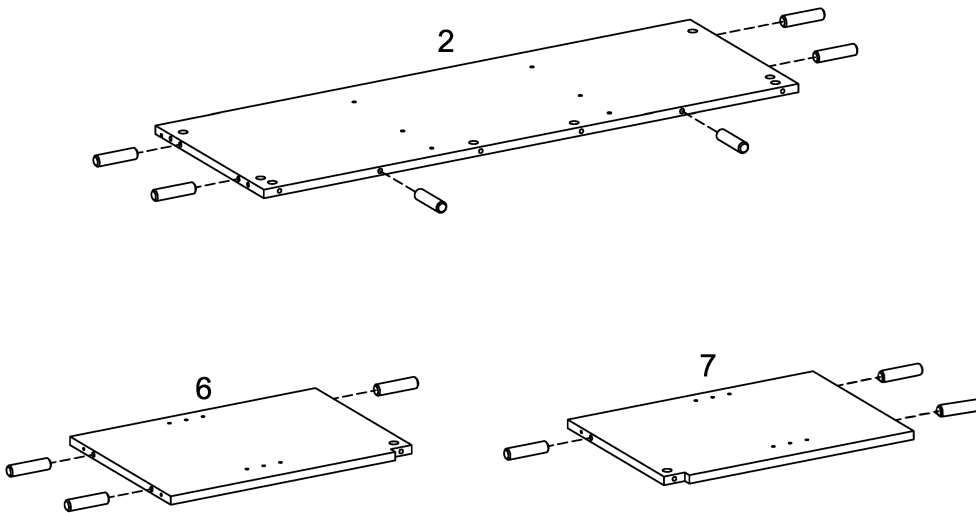
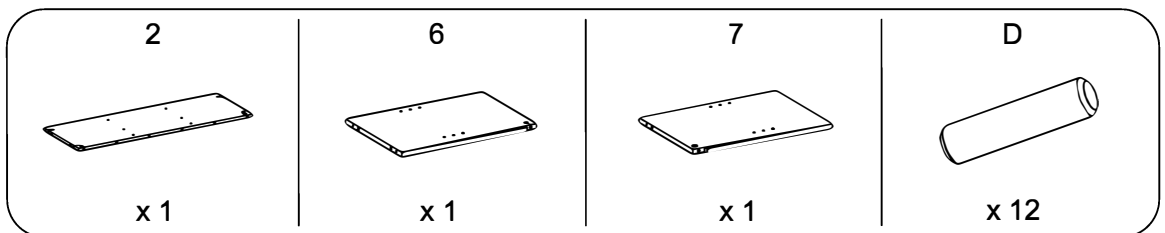


x 2





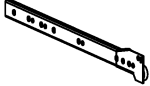
1

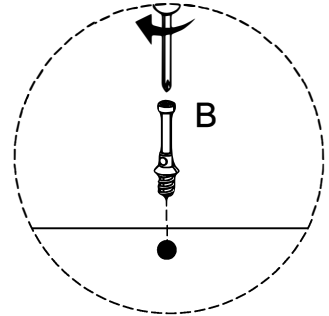
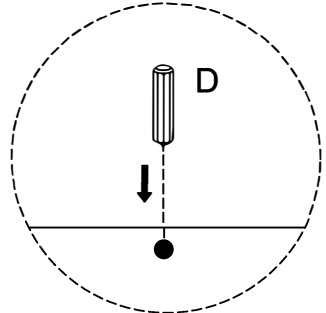
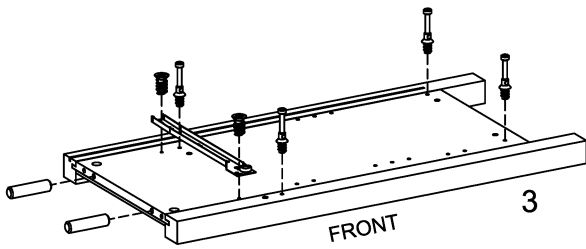
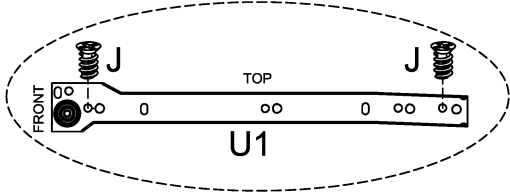


2








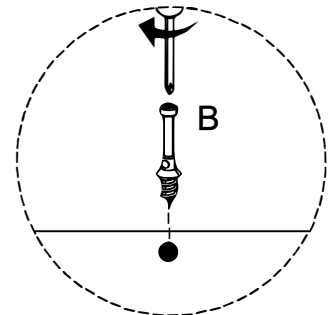
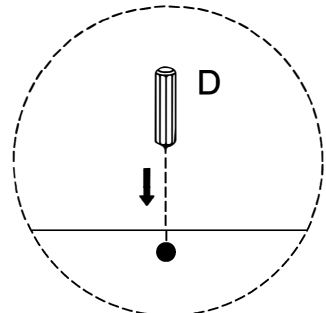
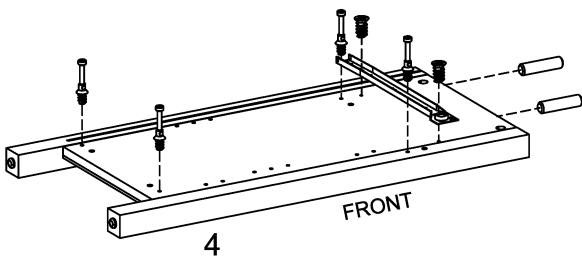
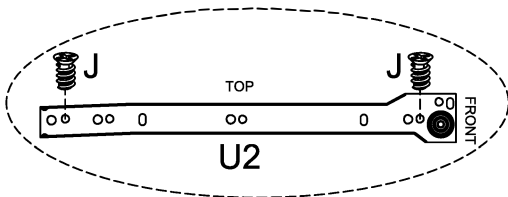
3

 3 x 1	 B x 4	 D x 2	 J M6 x 8 x 2	 U1 x 1
---	---	---	--	--

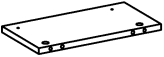


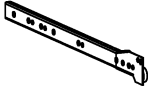



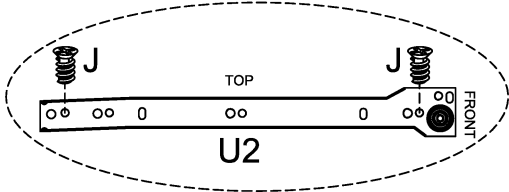
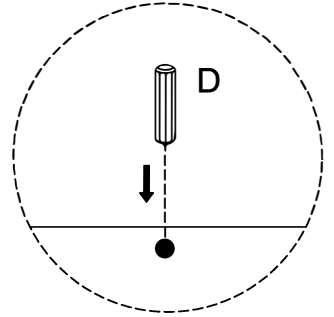
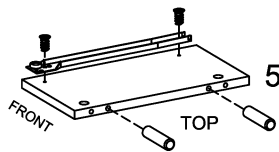
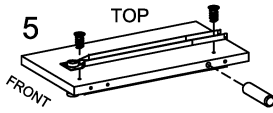
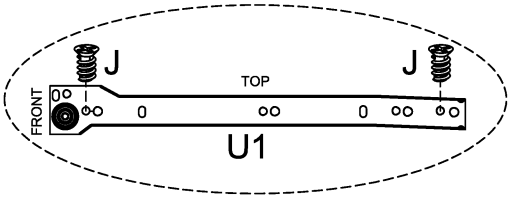
4

 4 x 1	 B x 4	 D x 2	 J M6 x 8 x 2	 U2 x 1
---	---	---	--	--






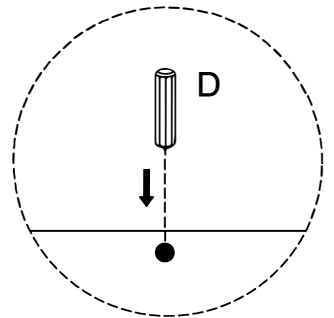
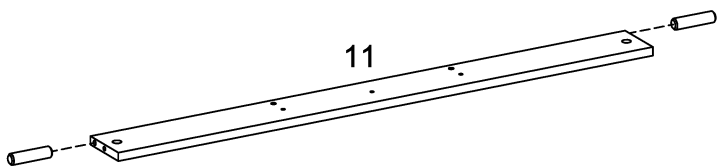
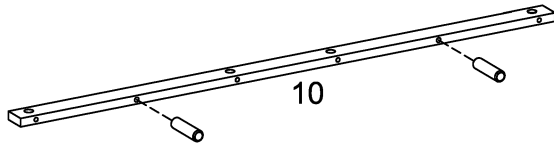
5

5	D	J M6 x 8	U1	U2
				
x 1	x 3	x 4	x 1	x 1



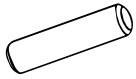


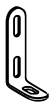


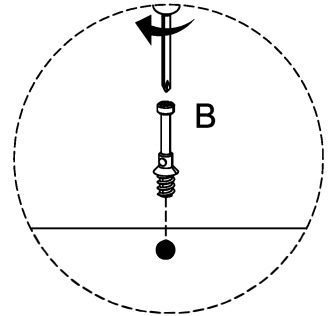
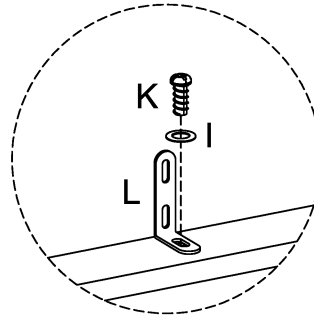
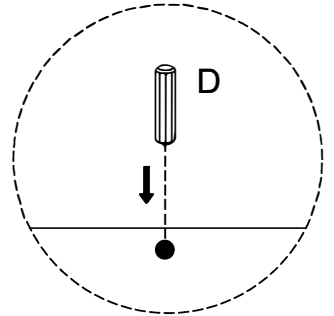
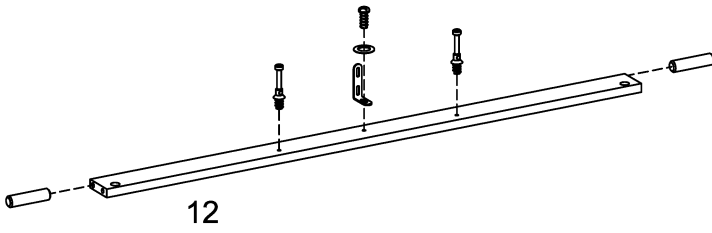
6

10	11	D
		
x 1	x 1	x 4




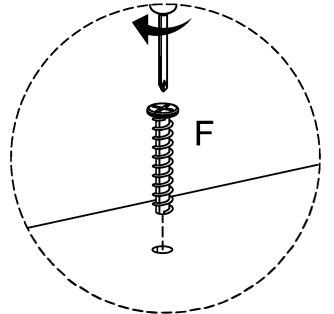
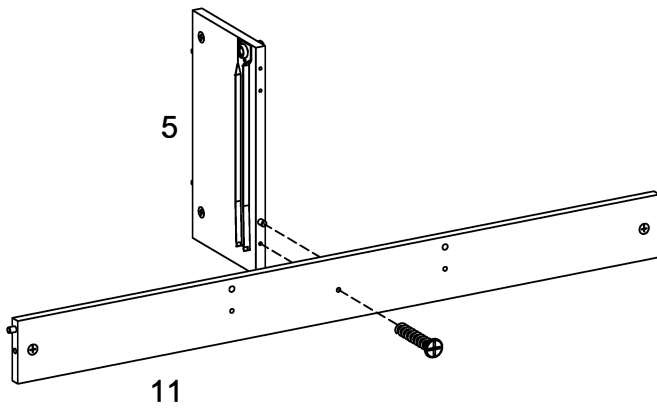
7

5  x 1	B  x 2	D  x 2	I  x 1	K M4 x 10  x 1	L  x 1
---	---	---	--	---	---



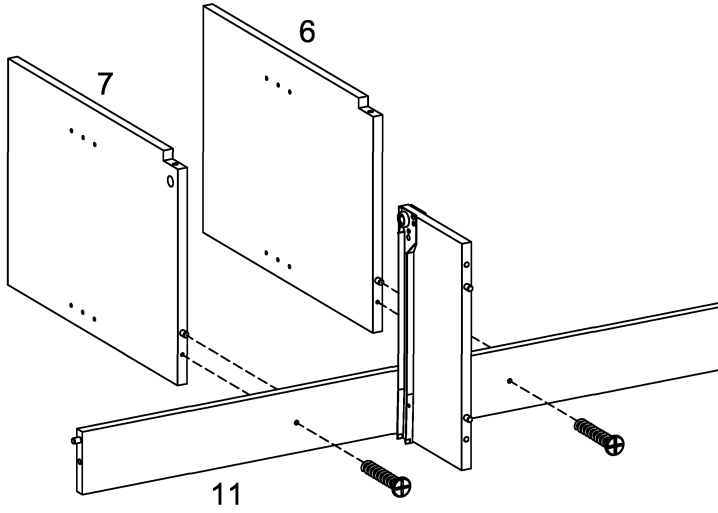
8

F  M10 x 33.5 x 1



9

F
M10
x
33.5
x2



10

A



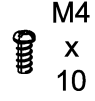
x2

C

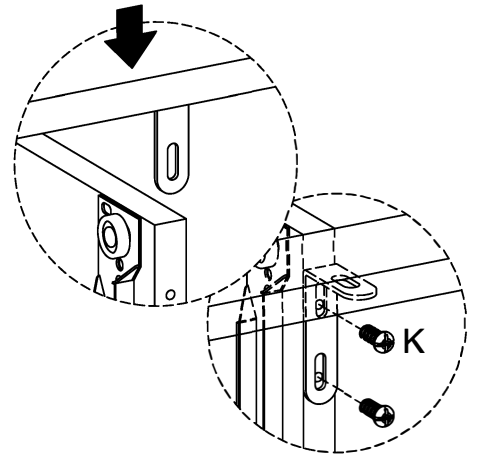
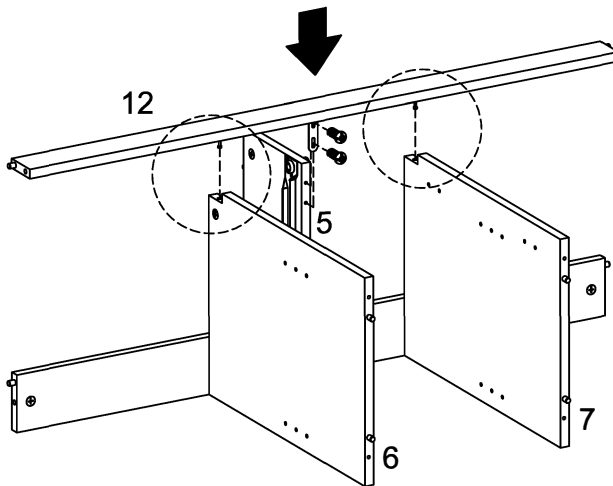
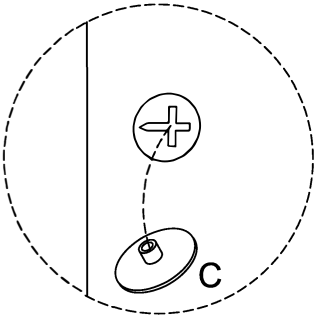
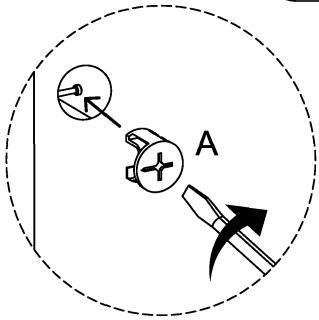


x2




K

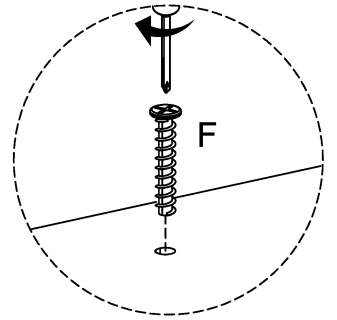
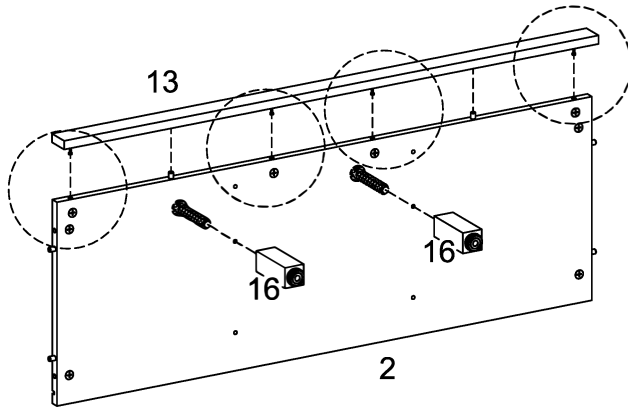
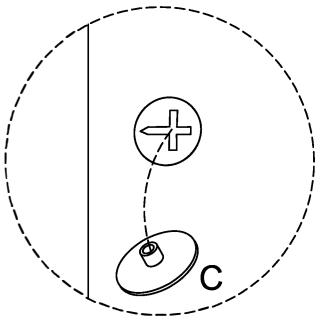
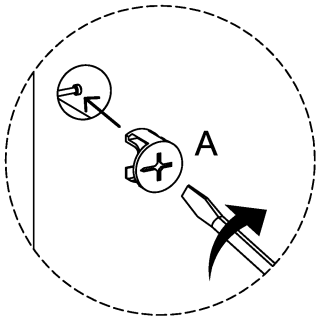


M4
x
10
x2




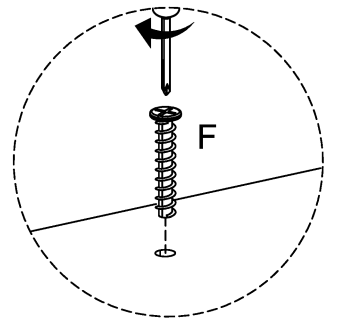
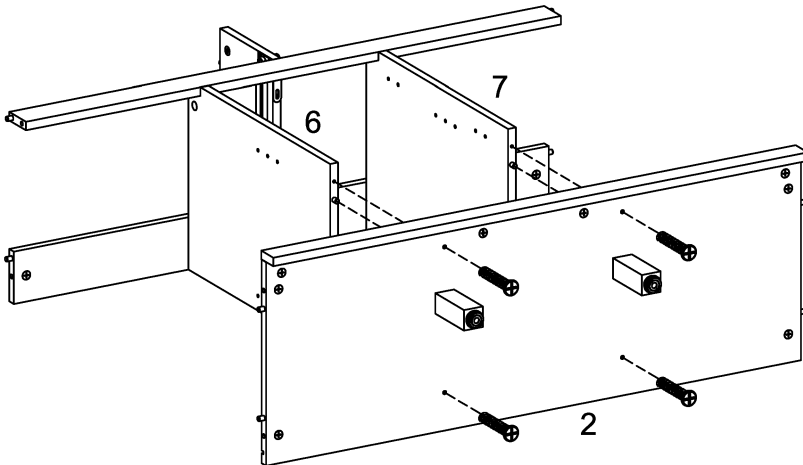
11

<p>A</p>  <p>x 4</p>	<p>C</p>  <p>x 4</p>	<p>F</p>  <p>M10 x 33.5</p> <p>x 2</p>
---	---	---



12

<p>F</p>  <p>M10 x 33.5</p> <p>x 4</p>



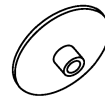
13

A

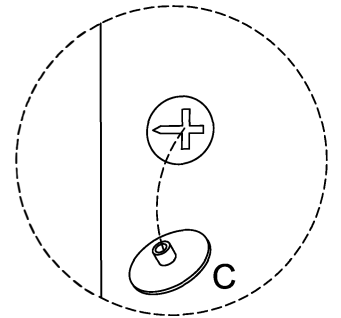
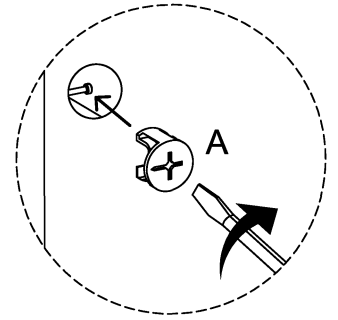
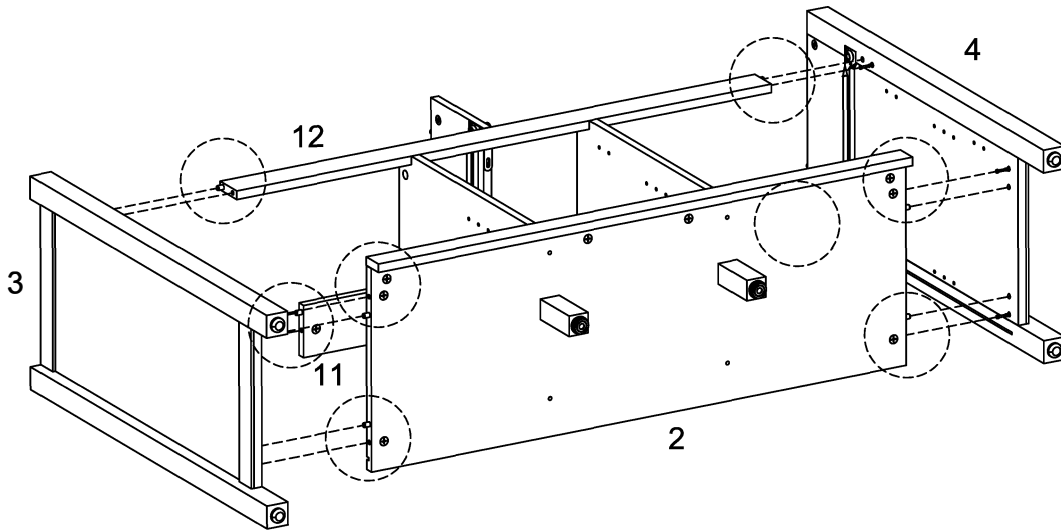


x 8

C

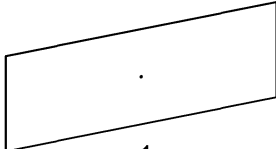


x 8



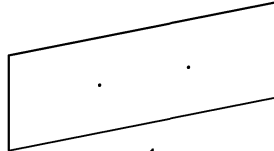
14

14



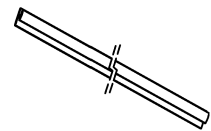
x 1

15

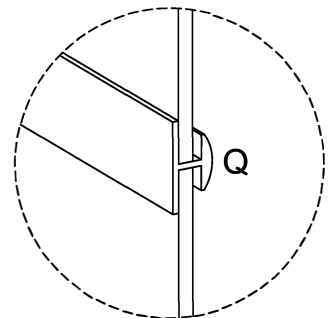
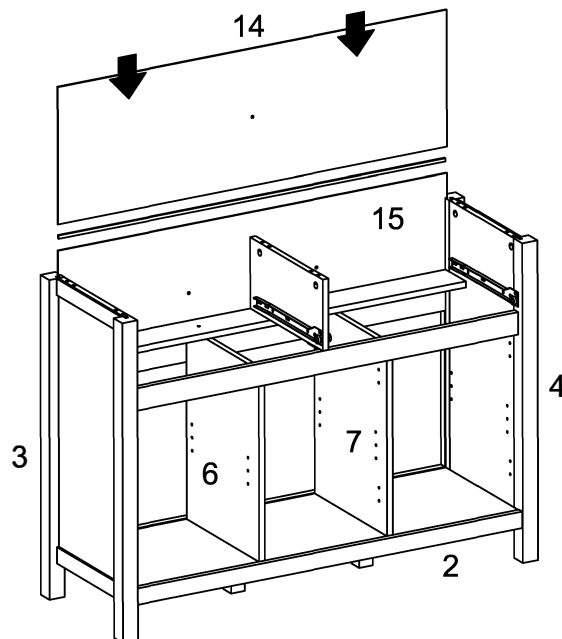


x 1

Q



x 1



15

A

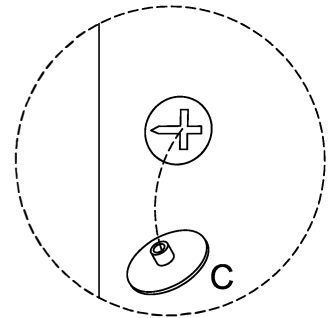
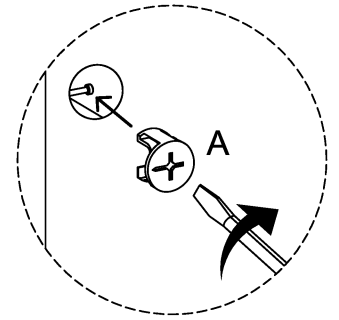
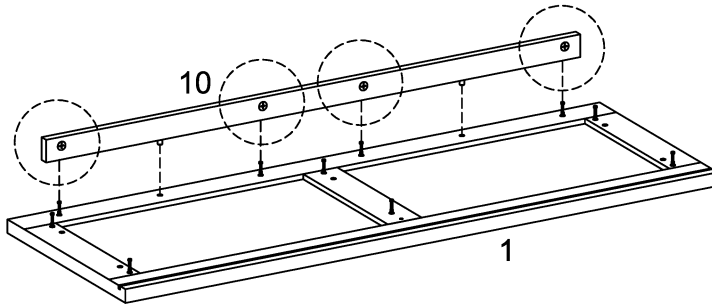


x 4

C



x 4



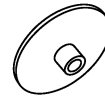
16

A

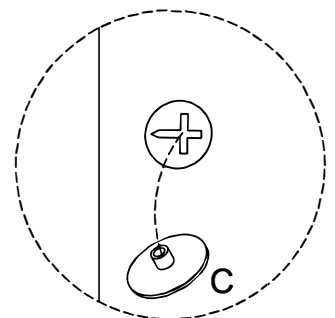
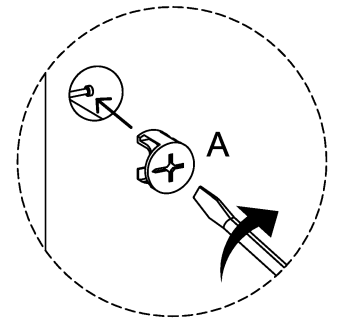
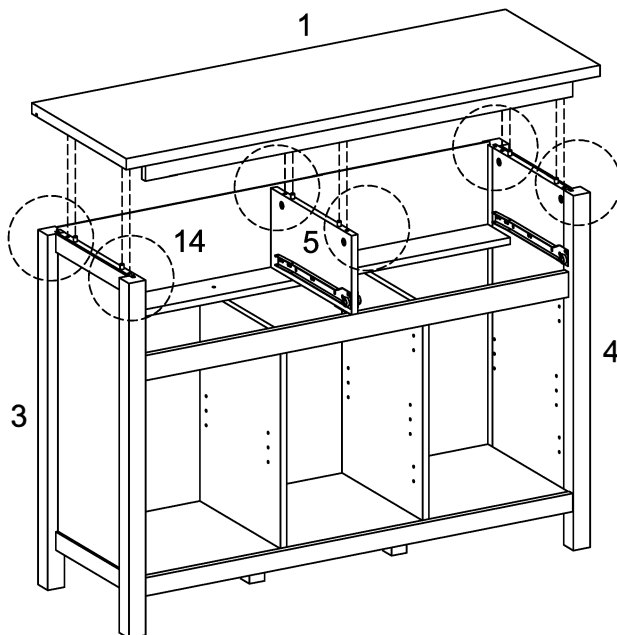


x 6

C



x 6



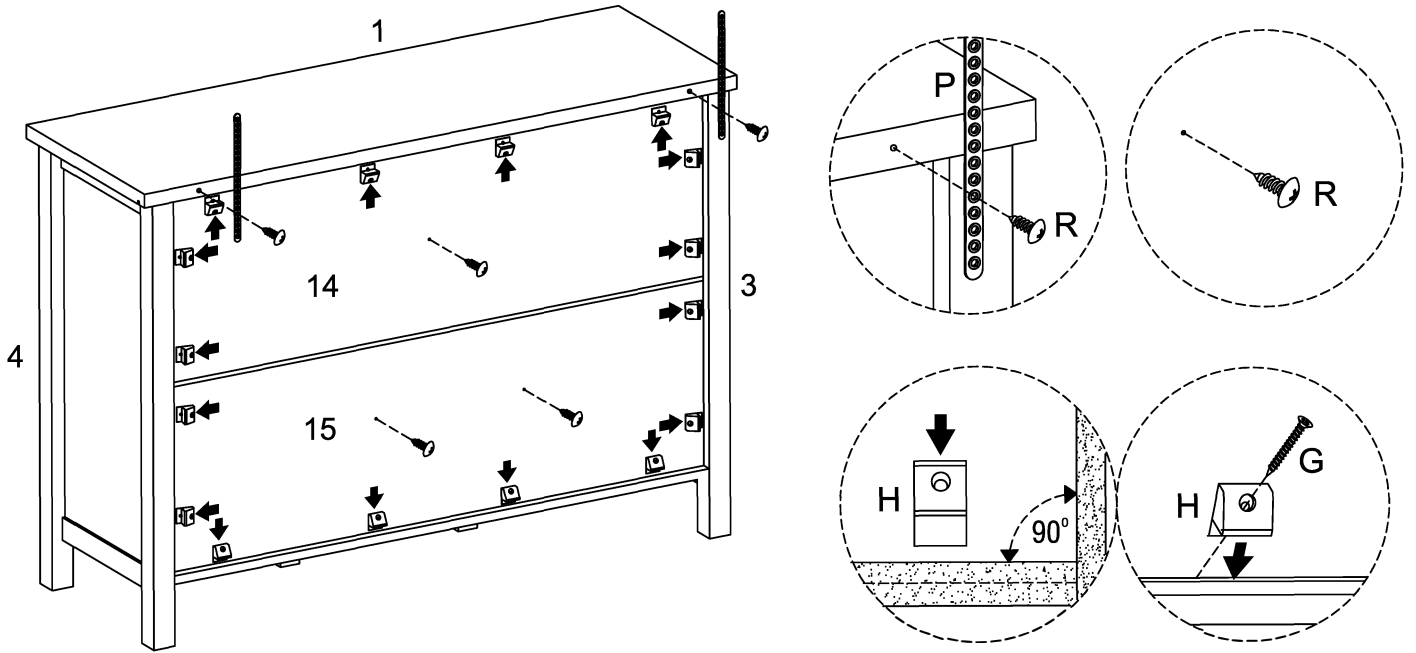
17

G
M4
x
19
x 16

H
x 16

R
x 2

P
M3
x
12
x 5

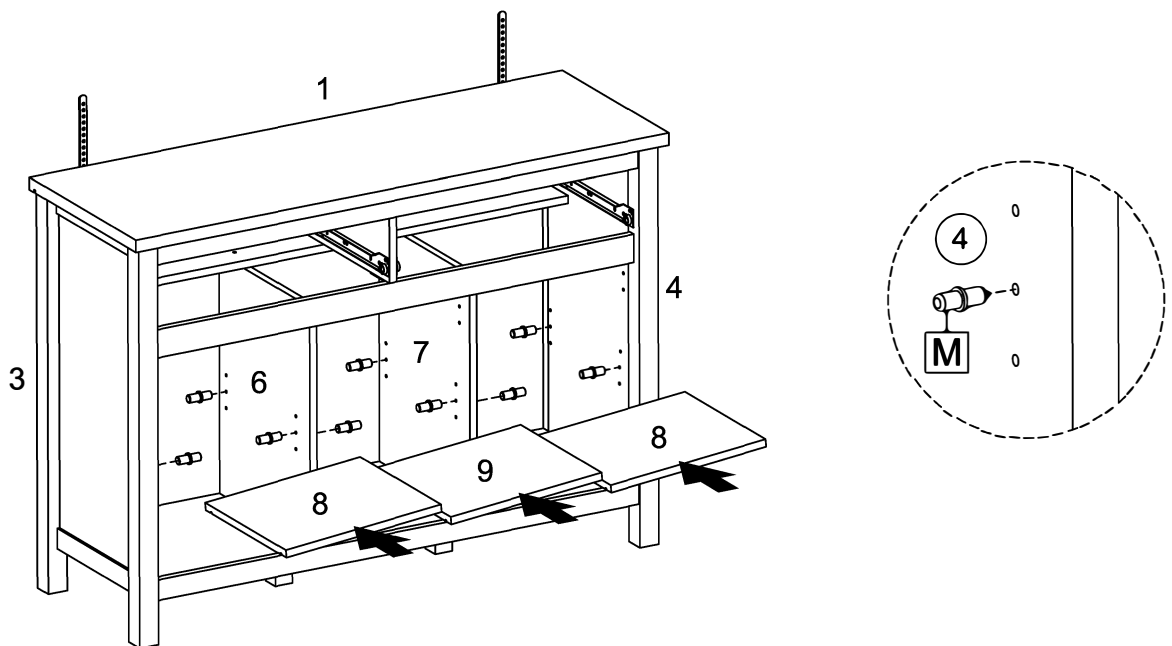


18

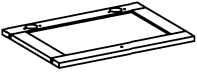




8
x 2

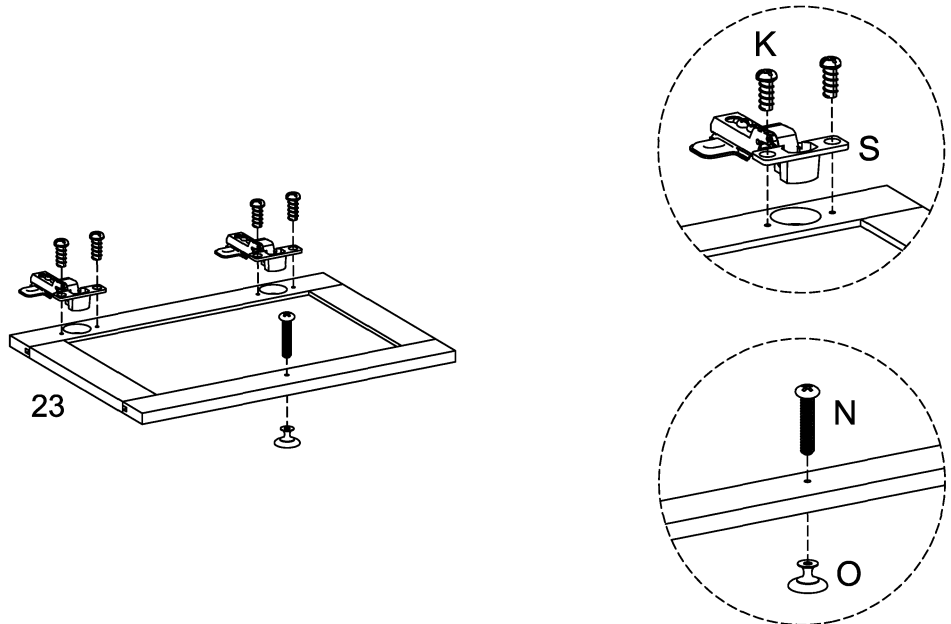
9
x 1

M
x 12

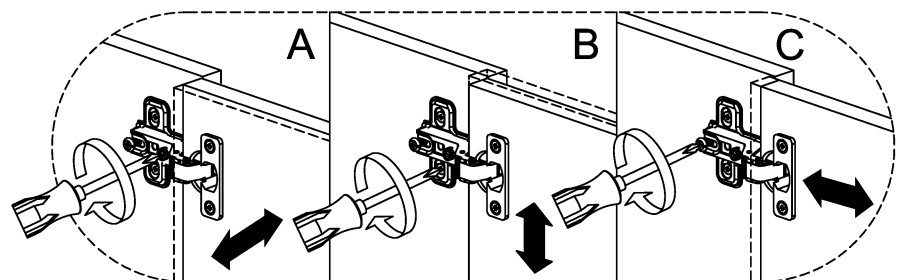
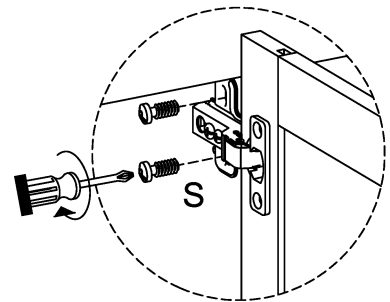
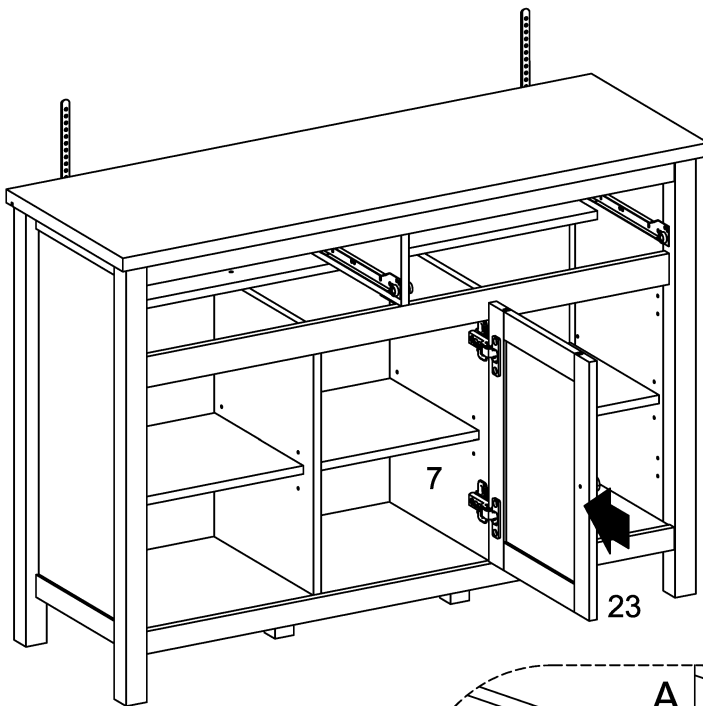


19






23  x 1	K M4 x 10  x 4	N M4 x 20  x 1	O  x 1	S  x 2
--	---	---	---	---

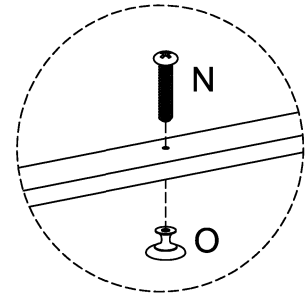
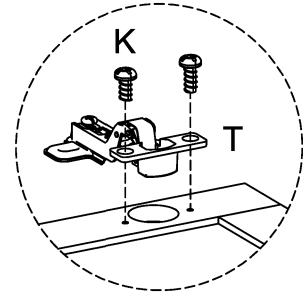
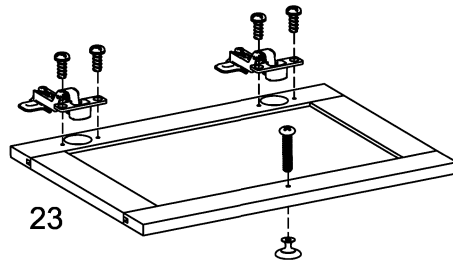


20

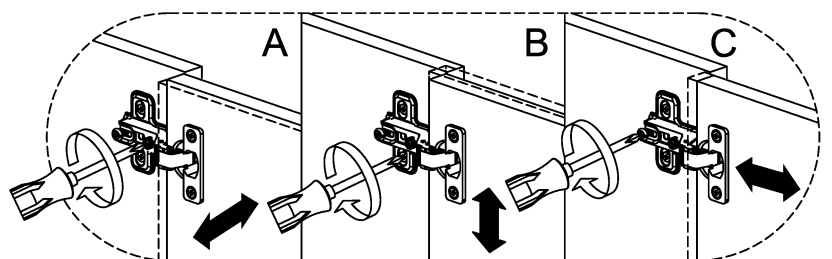
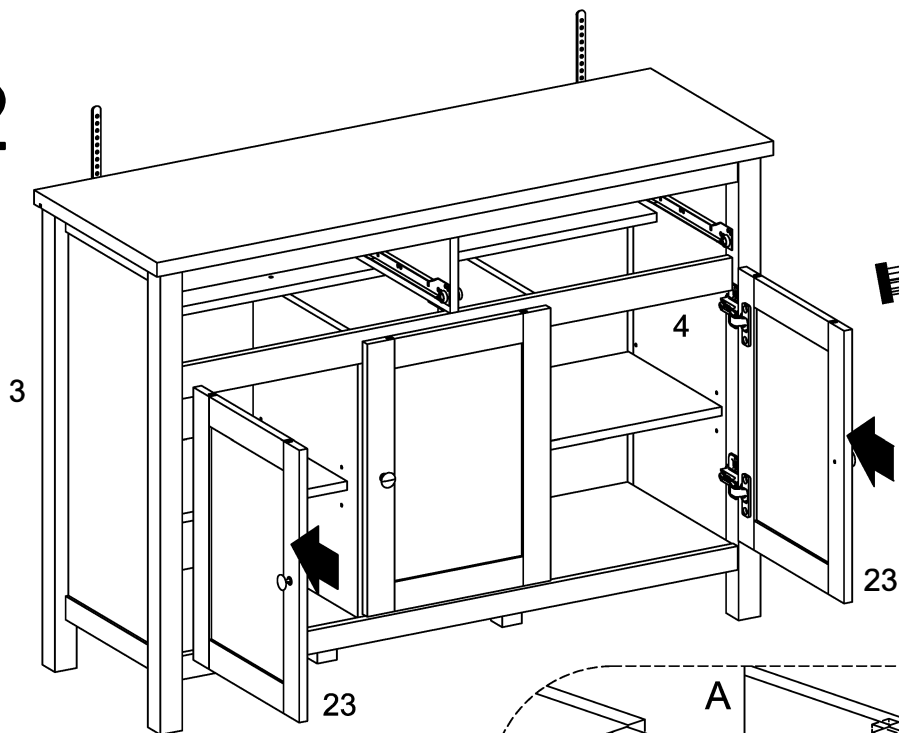


21 x 2

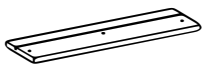
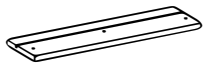



23  x 1	K M4 x 10  x 4	N M4 x 20  x 1	O  x 1	T  x 2
--	---	---	---	---

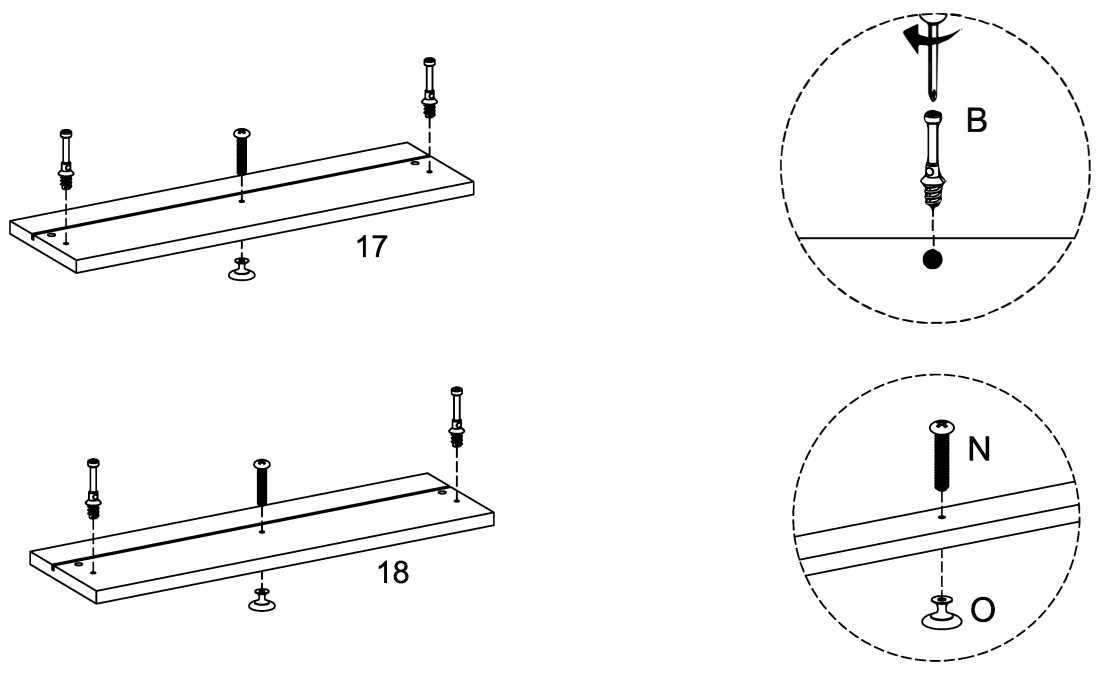


22







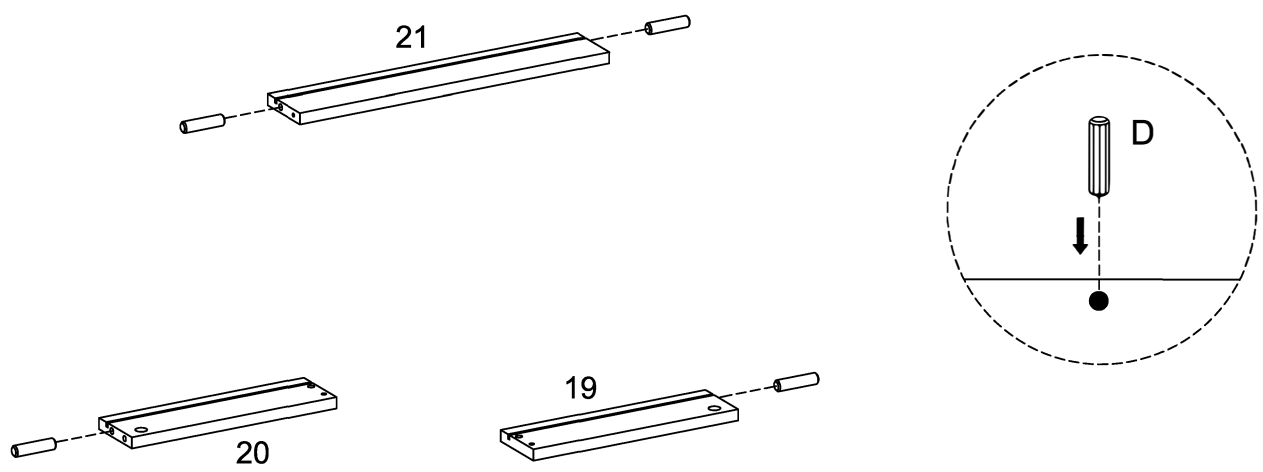
23

17  x 1	18  x 1	B  x 4	N  M4 x 20 x 2	O  x 2
--	--	---	---	---

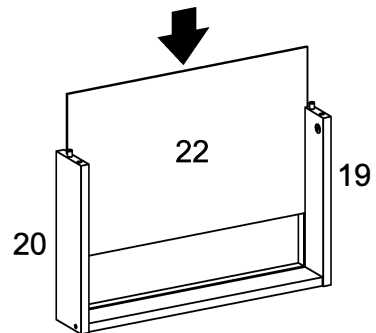
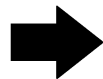
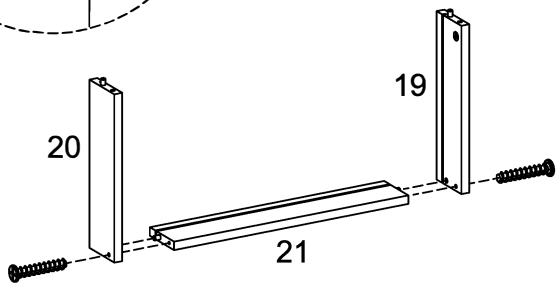
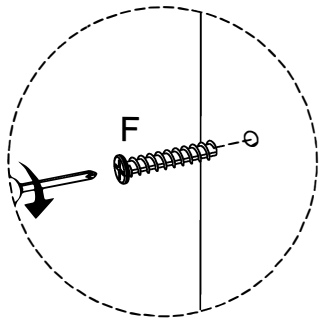
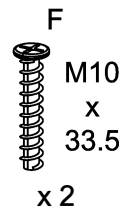
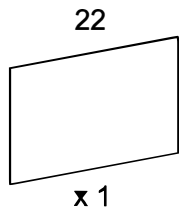


24 x 2

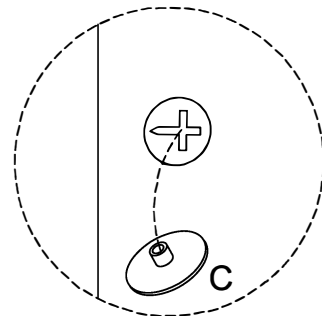
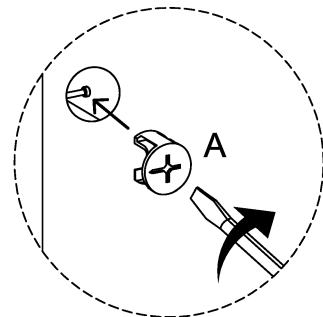
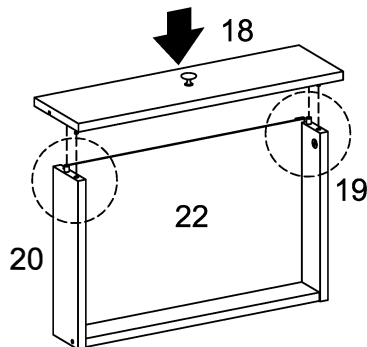
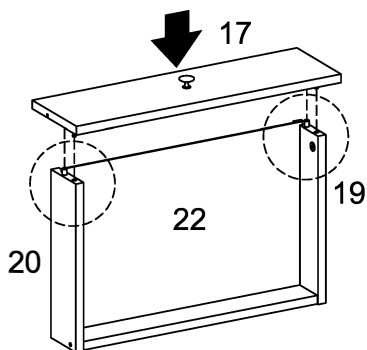
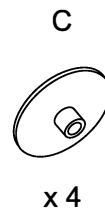
19  x 1	20  x 1	21  x 1	D  x 4
--	--	---	---




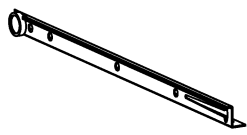
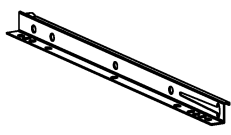
25 x 2

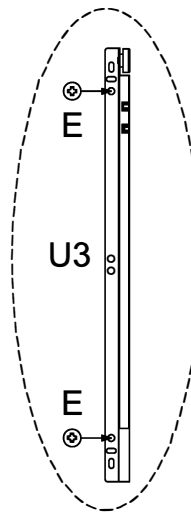
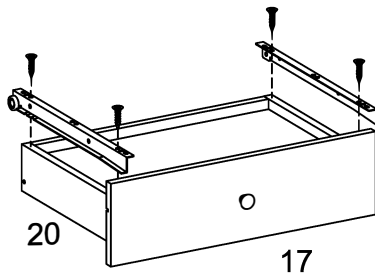
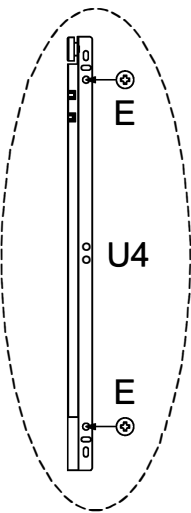


26


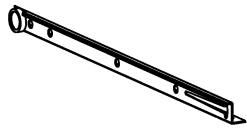
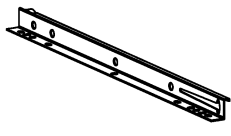


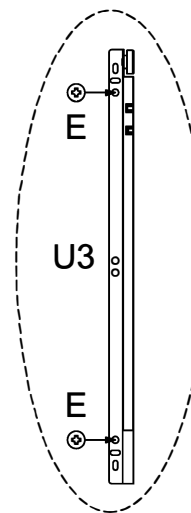
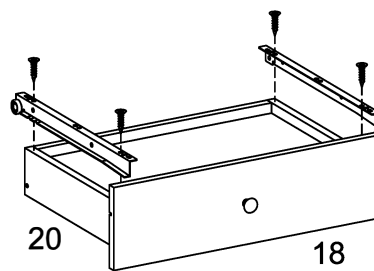
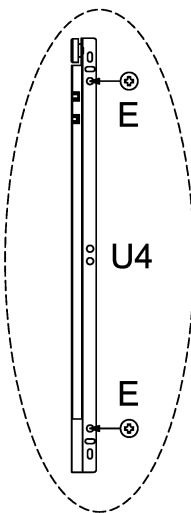
27

<p>E</p>  <p>M6 x 12</p> <p>x 4</p>	<p>U3</p>  <p>x 1</p>	<p>U4</p>  <p>x 1</p>
--	---	--



28

<p>E</p>  <p>M6 x 12</p> <p>x 4</p>	<p>U3</p>  <p>x 1</p>	<p>U4</p>  <p>x 1</p>
--	---	--



29

