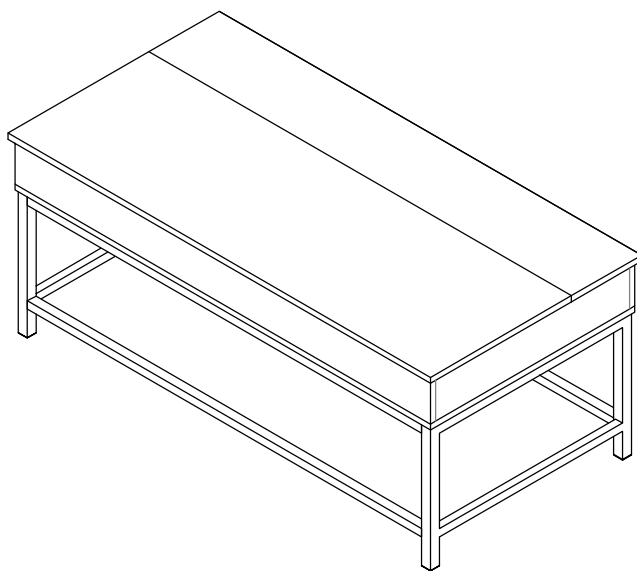


# *ASSEMBLY INSTRUCTIONS*



REVISION 0 : 05/05/2021  
REVISION 1 : 12/06/2022

## *LIFT TOP COFFEE TABLE*

PAGE 1 OF 4

# ASSEMBLY INSTRUCTIONS

## ASSEMBLY TIPS:

1. Remove hardware from box and sort by size.
2. Please check to see that all hardware and parts are present prior to start of assembly.
3. Please follow attached instructions in the same sequence as numbered to assure fast & easy assembly.



## WARNING!

1. Don't attempt to repair or modify parts that are broken or defective. Please contact the store immediately.
2. This product is for home use only and not intended for commercial establishments.



ASSEMBLY TIME 20 MINUTES

## PARTS IDENTIFICATION

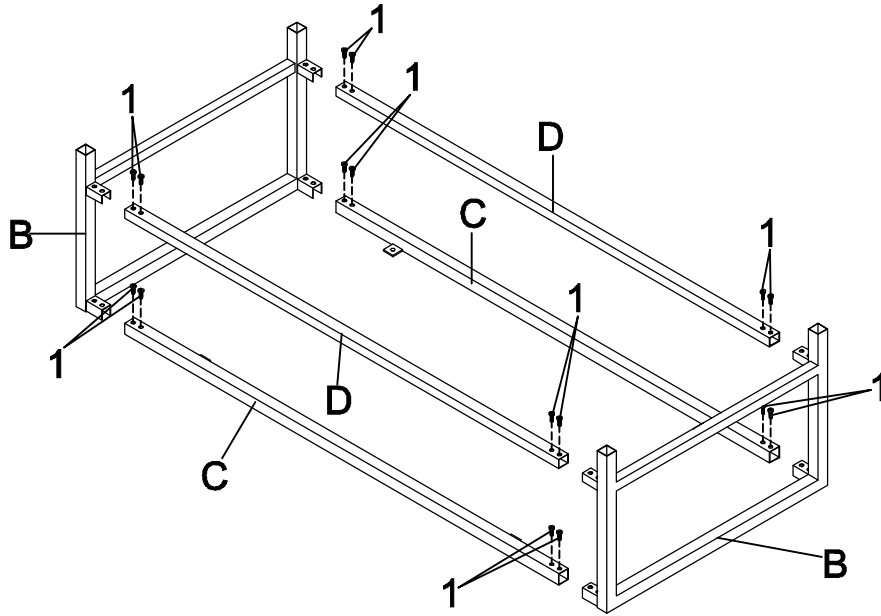
A	TOP BOX		1PC
B	SIDE FRAME		2PCS
C	TOP CROSSBAR		2PCS
D	BOTTOM CROSSBAR		2PCS

## HARDWARE IDENTIFICATION

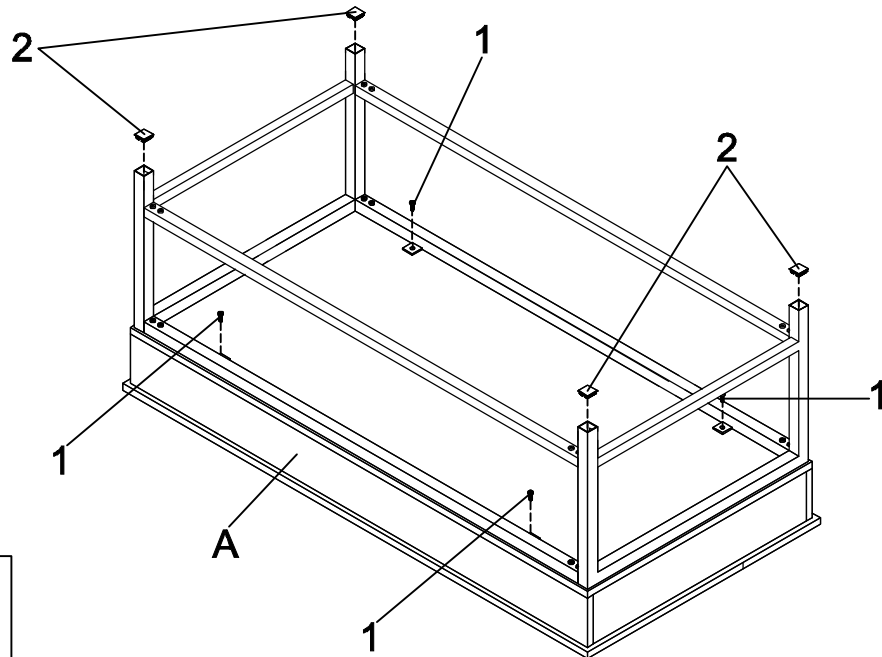
1	SHORT BOLT (1/4" x 12mm BLK)		20PCS	3	ALLEN WRENCH (4mm)		1PC
2	CAP (25 x 25mm BLK)		4PCS				

# ASSEMBLY INSTRUCTIONS

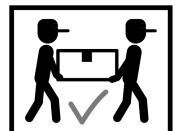
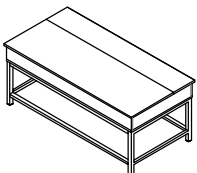
**STEP 1** Do not tighten until each step is completed or instructed.



## STEP 2



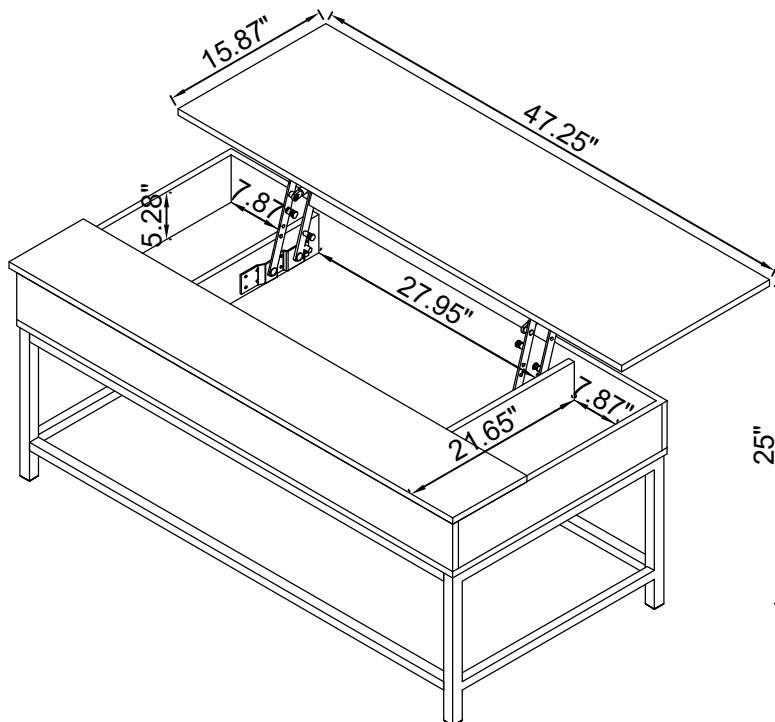
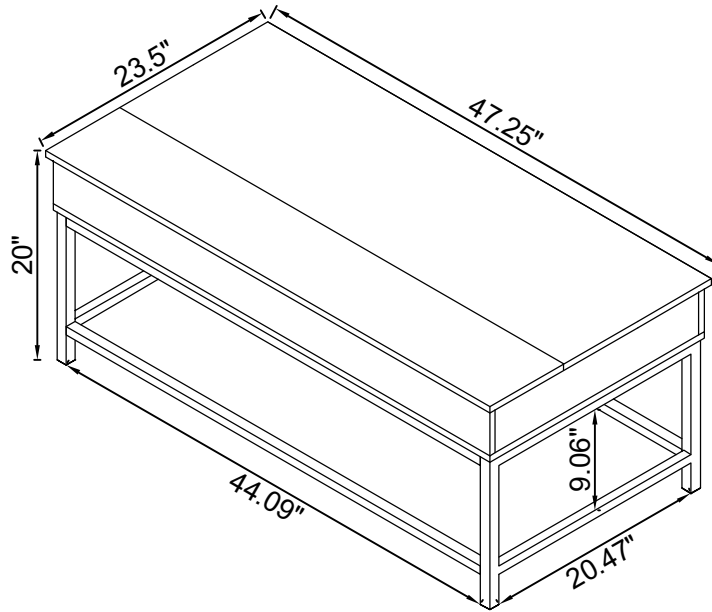
COMPLETE



# ASSEMBLY INSTRUCTIONS

Product Size : 1200 X 597 X 508 H (MM)

Product Size : 47.25" X 23.5" X 20"



Note : Dimension tolerance  $\pm 5\%$