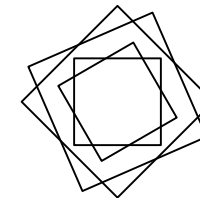
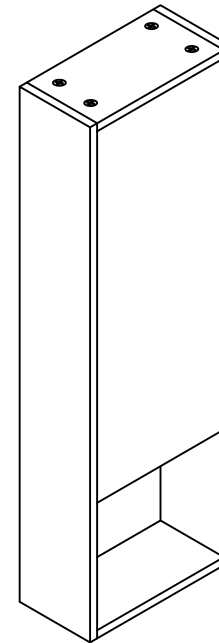


THANKS FOR WATCHING

Your feedback is invaluable to us and we would love to hear about your experience. Please take the time to leave us a review.



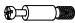


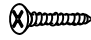








Thank you for shopping with us!

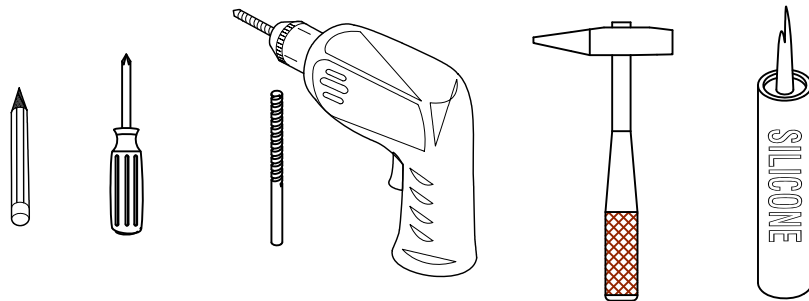
We encourage you to take a few minutes to go through this booklet. It contains important information on installation and care tips to keep your furniture looking as good as new.

Item NO.:BV B120 B12A

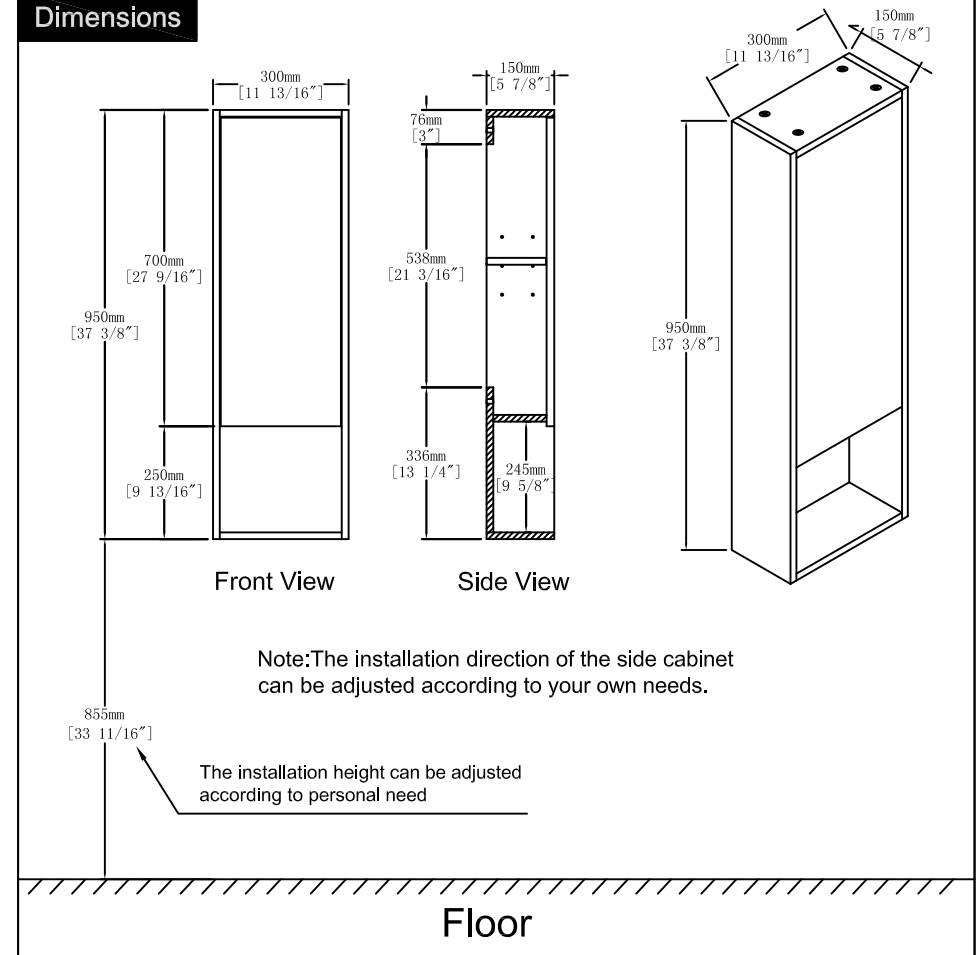
Hardware

NO.	Draw	QTY	NO.	Draw	QTY
A	 Screws Ø4 x 14 mm	12	G	 Screws for fix on the wall	2
B	 Two-in-one connector	22	H	 Wall hanging screw decorative cover	2
C	 Two-in-one connector	22	I	 Screws Ø4 x 25 mm	2
D	 Wood plug	2	J	 Anti-collision gasket	1
E	 Plastic anchor(Ø10mm)	2	K	 Movable laminate support	4
F	 Hinges (Internal hiding)	2	L	 Screwdriver	1

Recommended tools



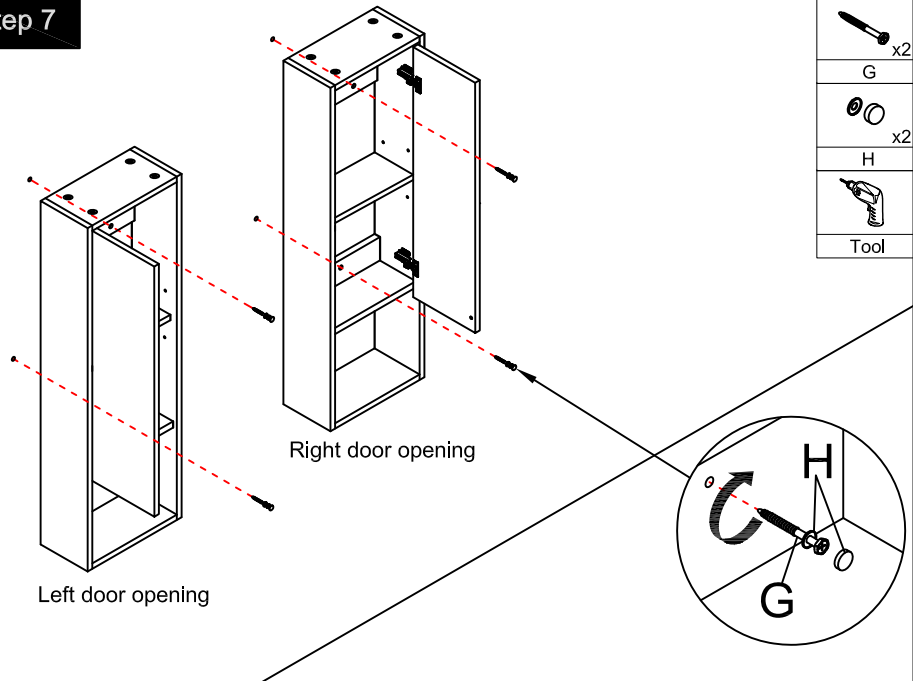
Dimensions



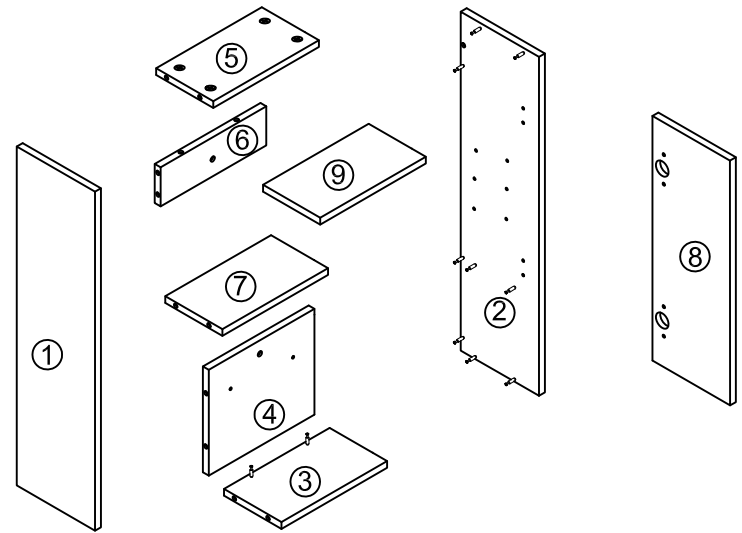
CARE CLEANING AND MAINTENANCE

1. Dust regularly with a soft , dry cloth.
2. Avoid the use of all chemicals household cleaners, abrasives, or cleaners that contain lemon, vinegar, or other acids that may damage the finish.
3. Excessive exposure to sunlight and extreme changes in temperature and moisture can damage wood furniture.
4. Do not place hot appliances, such as curling irons and hot hair dryers directly on the countertop. Wipe spills immediately.

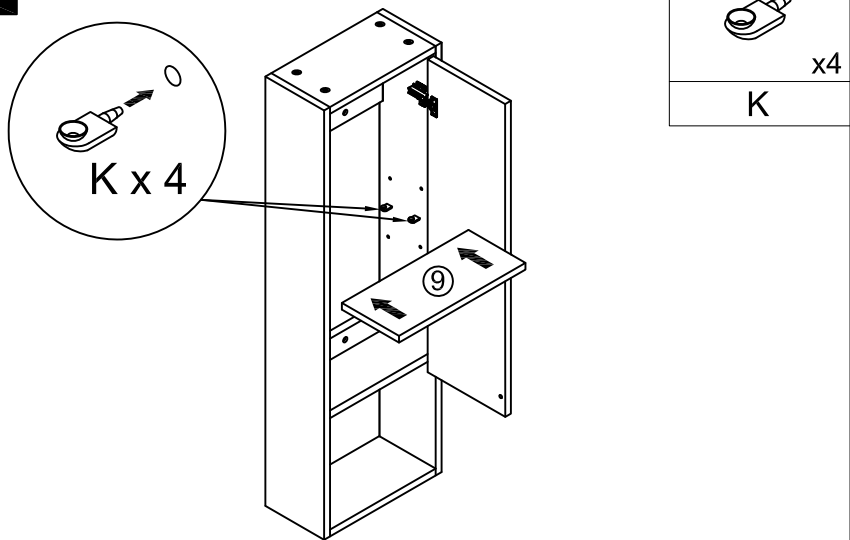
Step 7



Components

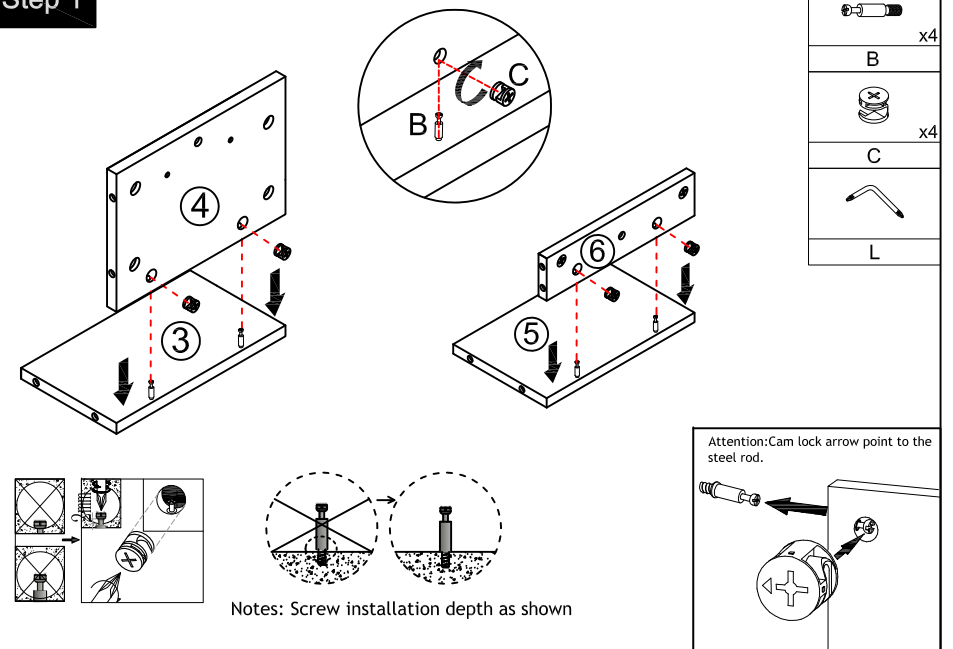


Finished



Notes:
The installation position can be selected according to the required height.

Step 1

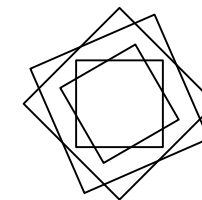
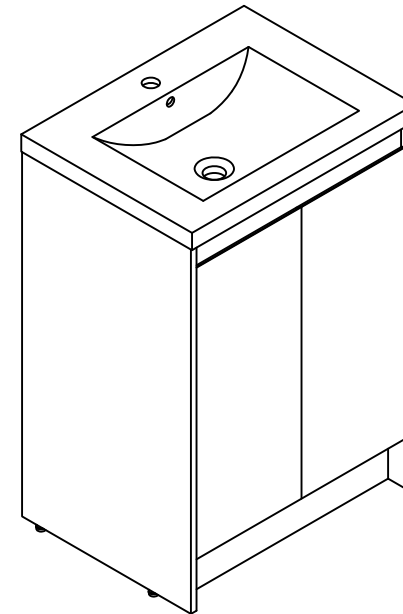


Installation Manual-BV B120 D24

**MOTIVATE
YOUR LIFE !**

THANKS FOR WATCHING

Your feedback is invaluable to us and we would love to hear about your experience. Please take the time to leave us a review.



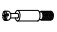





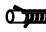






Thank you for shopping with us!

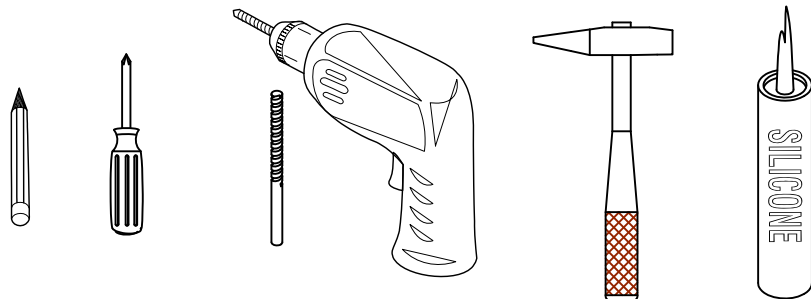
We encourage you to take a few minutes to go through this booklet. It contains important information on installation and care tips to keep your furniture looking as good as new.

Item NO.:BV B120 D24

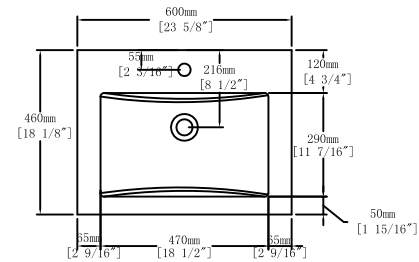
Hardware

NO.	Draw	QTY	NO.	Draw	QTY
A	 Screws Ø4x14mm	44	H	 Bracket (19x19x35mm)	2
B	 Two-in-one connector	24	I	 Hinges(Internal hiding)	4
C	 Two-in-one connector	24	J	 Adjustable feet	4
D	 Wood plug	4	K	 Movable laminate support	4
E	 Plastic anchor(Ø10mm)	2	L	 Anti-collision gasket	4
F	 Screws for fix on the wall	2	M	 Screwdriver	1
G	 Bracket (53x70x44mm)	2			

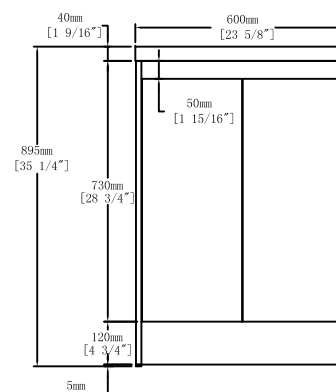
Recommended tools



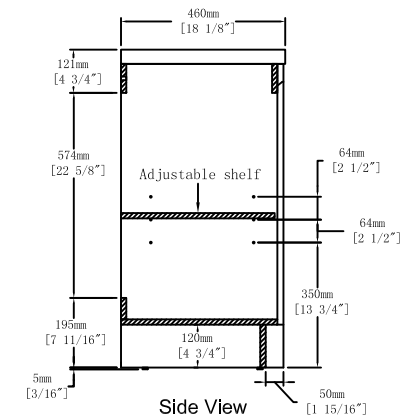
Dimensions



Top View



Front View



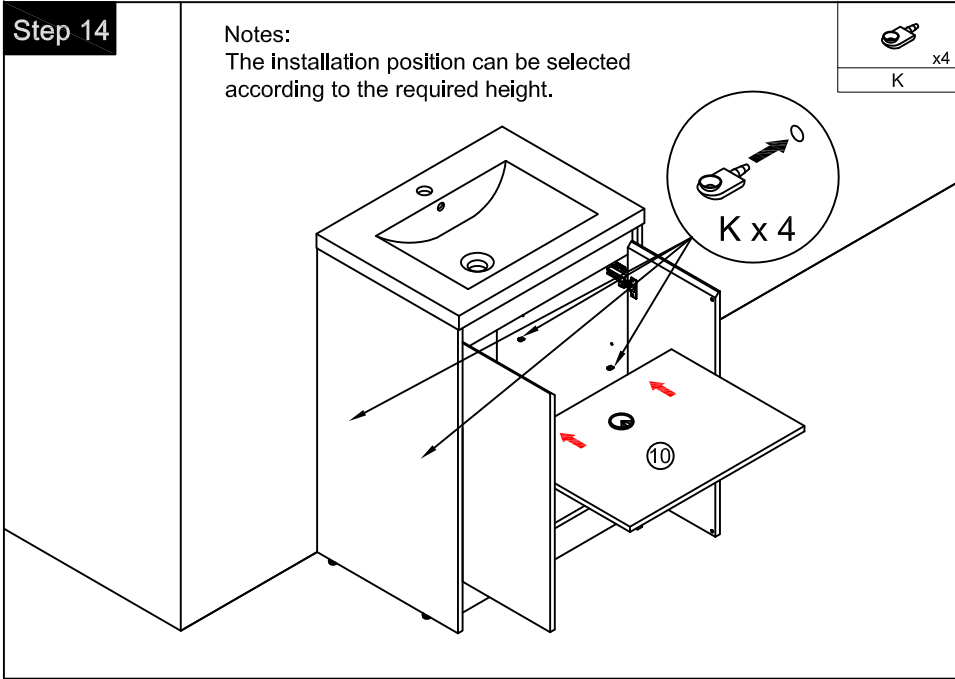
Side View

CARE CLEANING AND MAINTENANCE

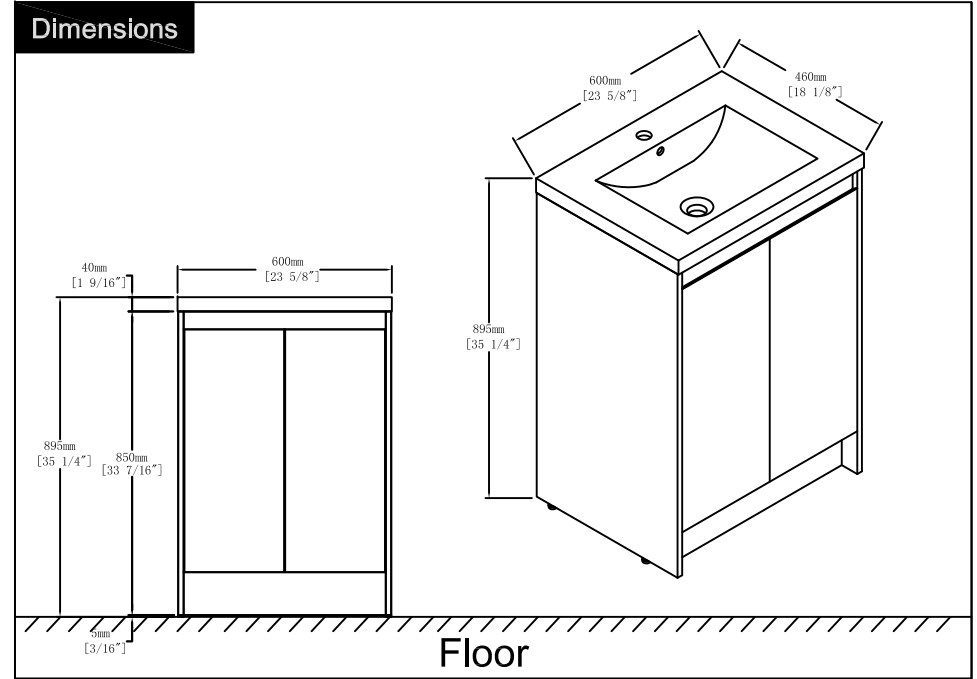
1. Dust regularly with a soft , dry cloth.
2. Avoid the use of all chemicals household cleaners, abrasives, or cleaners that contain lemon, vinegar, or other acids that may damage the finish.
3. Excessive exposure to sunlight and extreme changes in temperature and moisture can damage wood furniture.
4. The sink is fragile, please pay attention to maintaining its appearance.
5. Do not place hot appliances, such as curling irons and hot hair dryers directly on the countertop. Wipe spills immediately.

Step 14

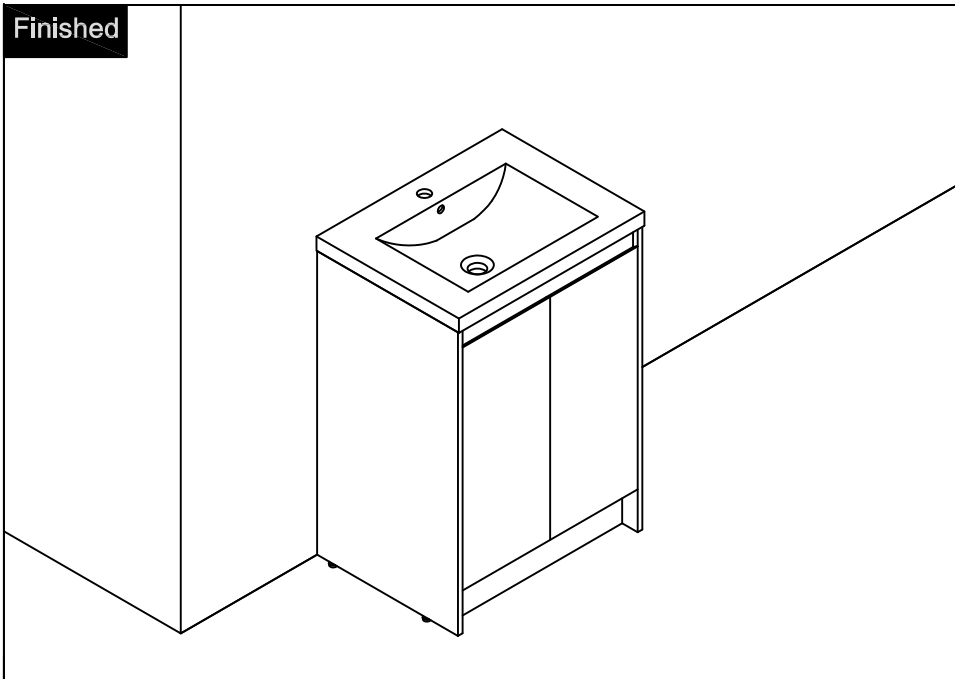
Notes:
The installation position can be selected according to the required height.



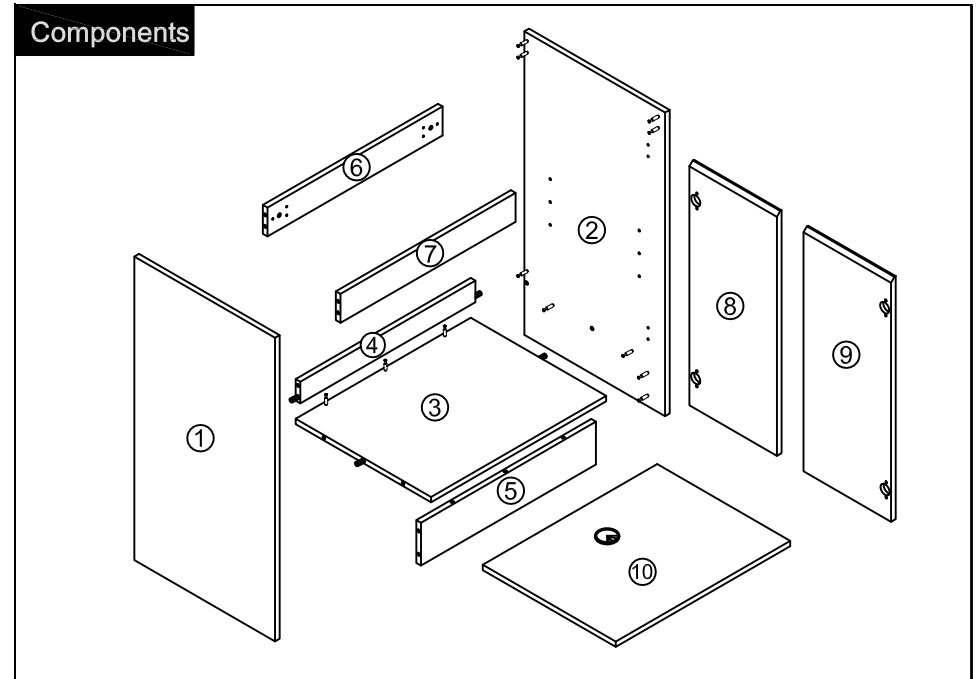
Dimensions

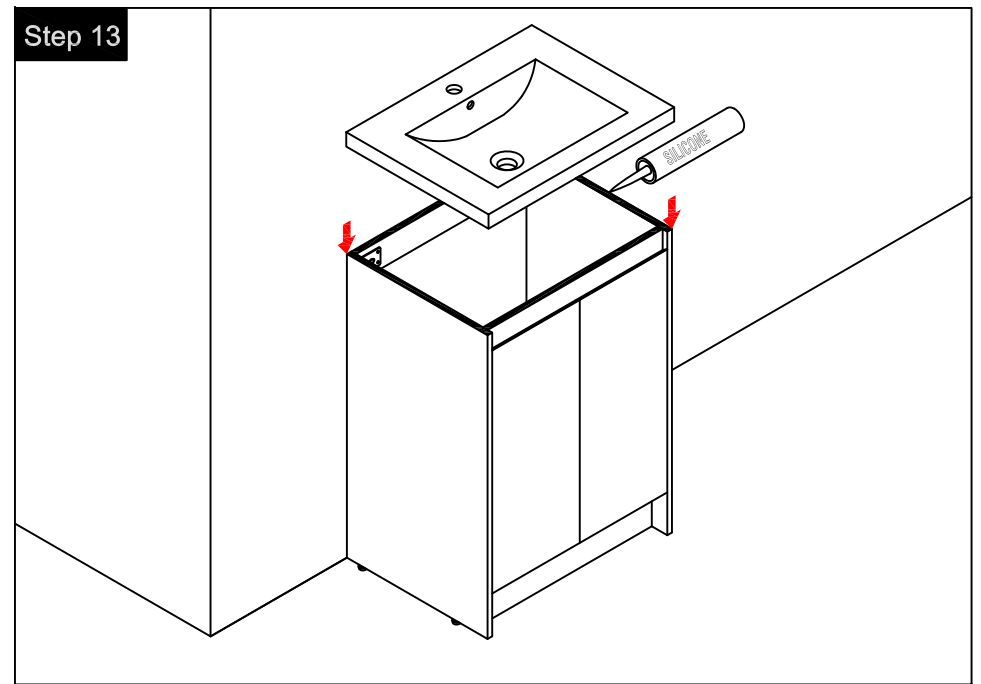
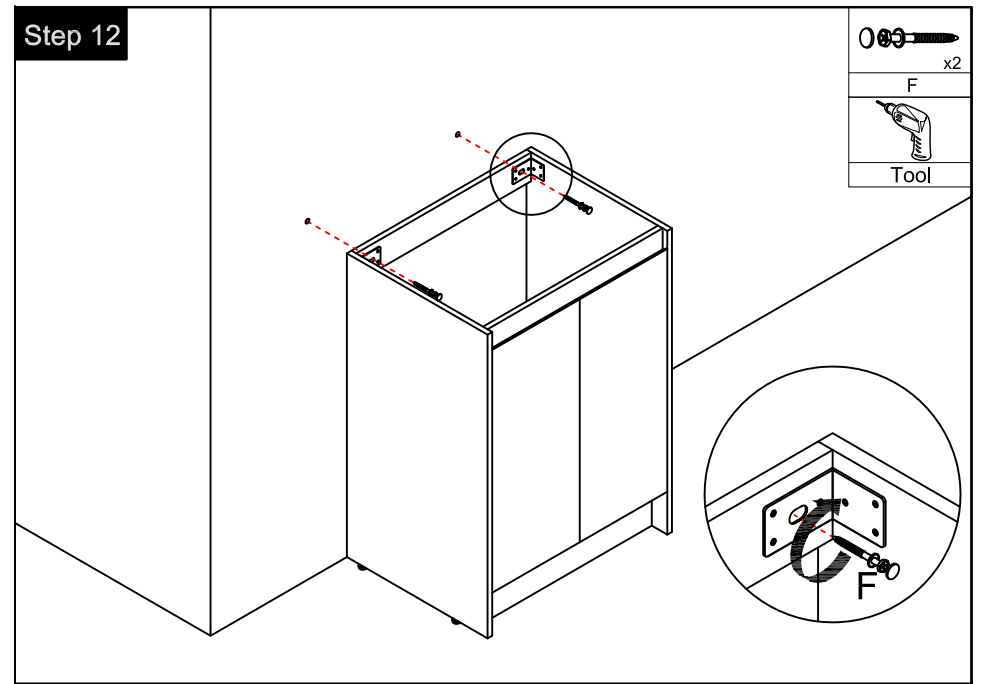
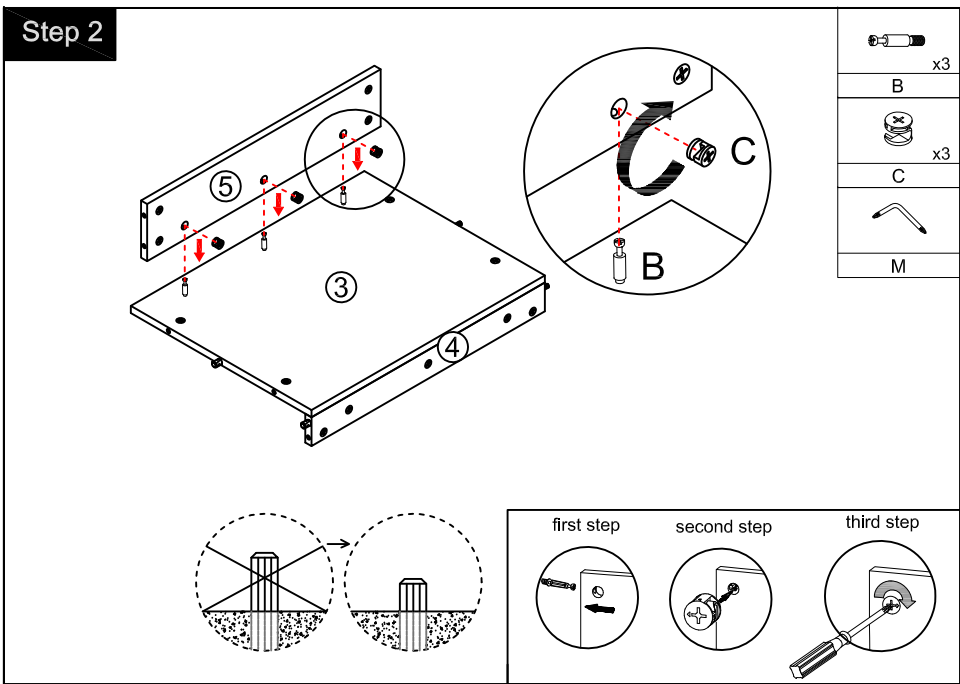
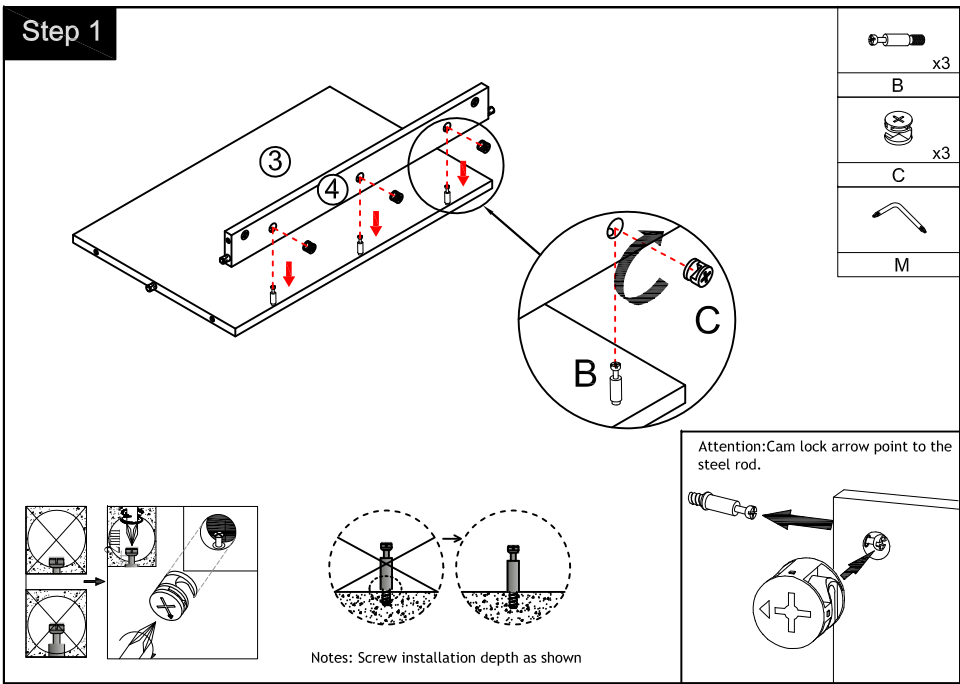


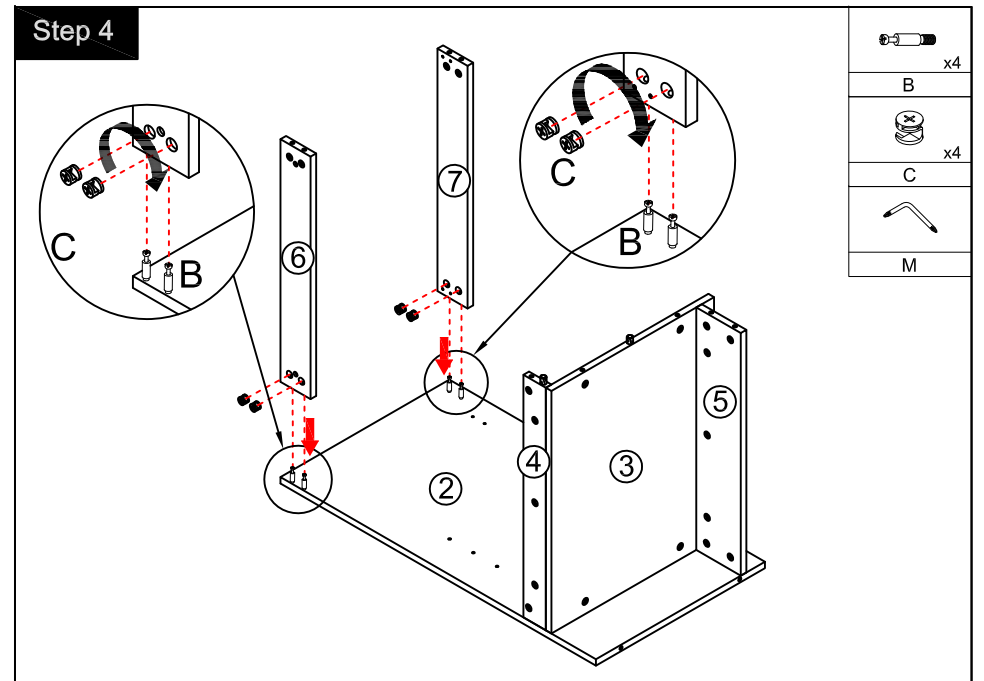
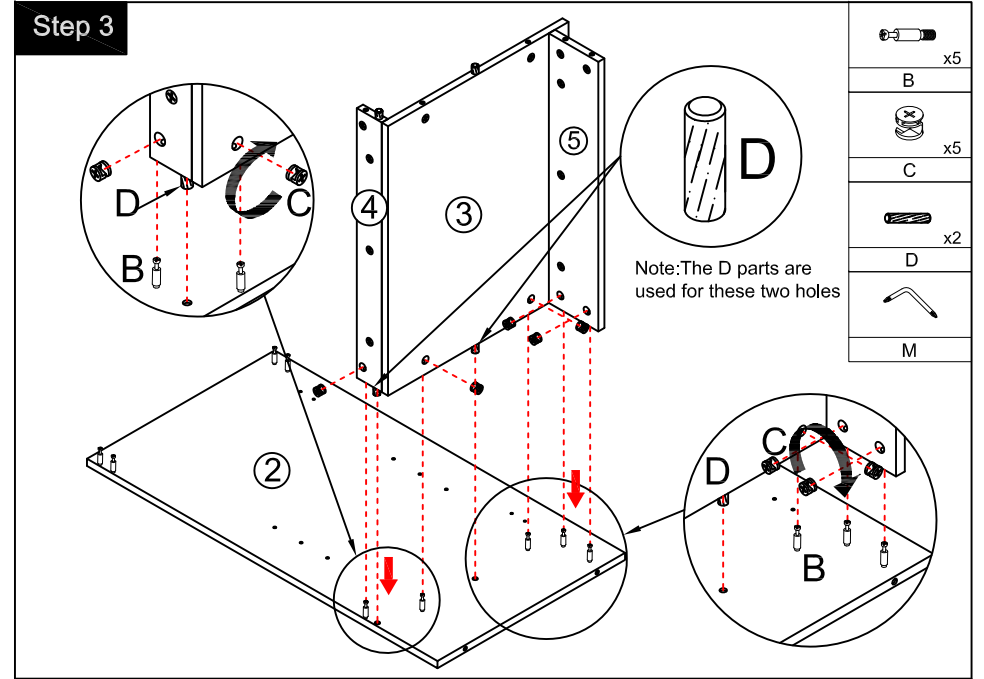
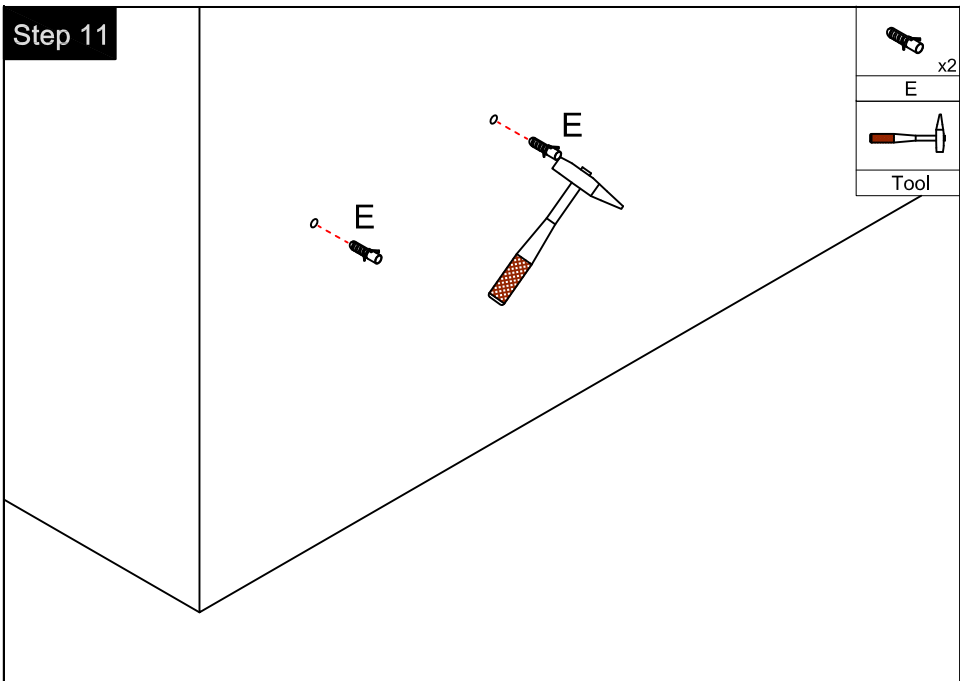
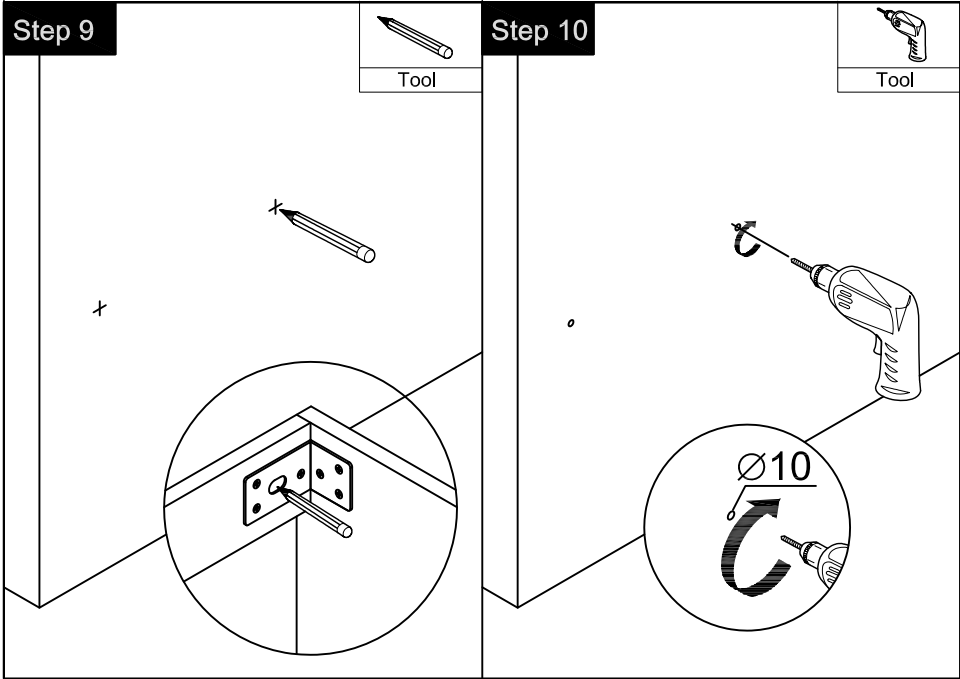
Finished



Components







Step 5

	x9
B	
	x9
C	
	x2
D	
M	

Note: The D parts are used for these two holes

Step 6

	x2
G	
	x2
H	
($\varnothing 4 \times 14\text{mm}$)	
	x20
A	
	Tool

Step 7

	x4
I	
($\varnothing 4 \times 14\text{mm}$)	
	x24
A	

You can adjust the doors by tightening or loosening the screws on the hinge.

Step 8

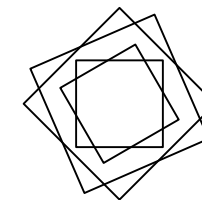
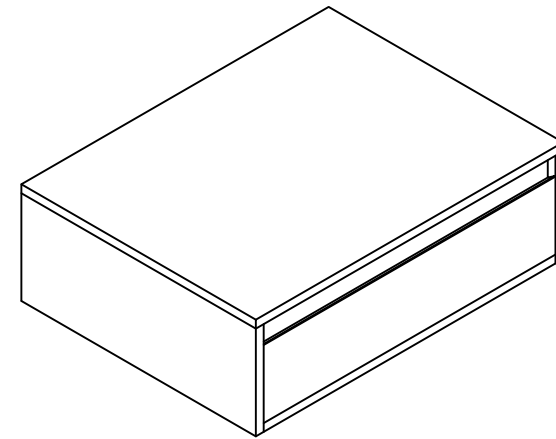
	x4
L	
	x4
J	

Installation Manual-BV B120 I24

**MOTIVATE
YOUR LIFE !**

THANKS FOR WATCHING

Your feedback is invaluable to us and we would love to hear about your experience. Please take the time to leave us a review.


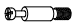
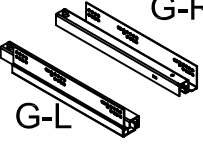


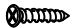






Thank you for shopping with us!

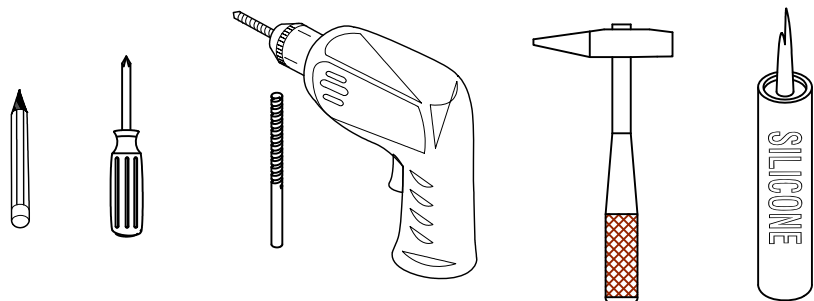
We encourage you to take a few minutes to go through this booklet. It contains important information on installation and care tips to keep your furniture looking as good as new.

Item NO.:BV B120 I24

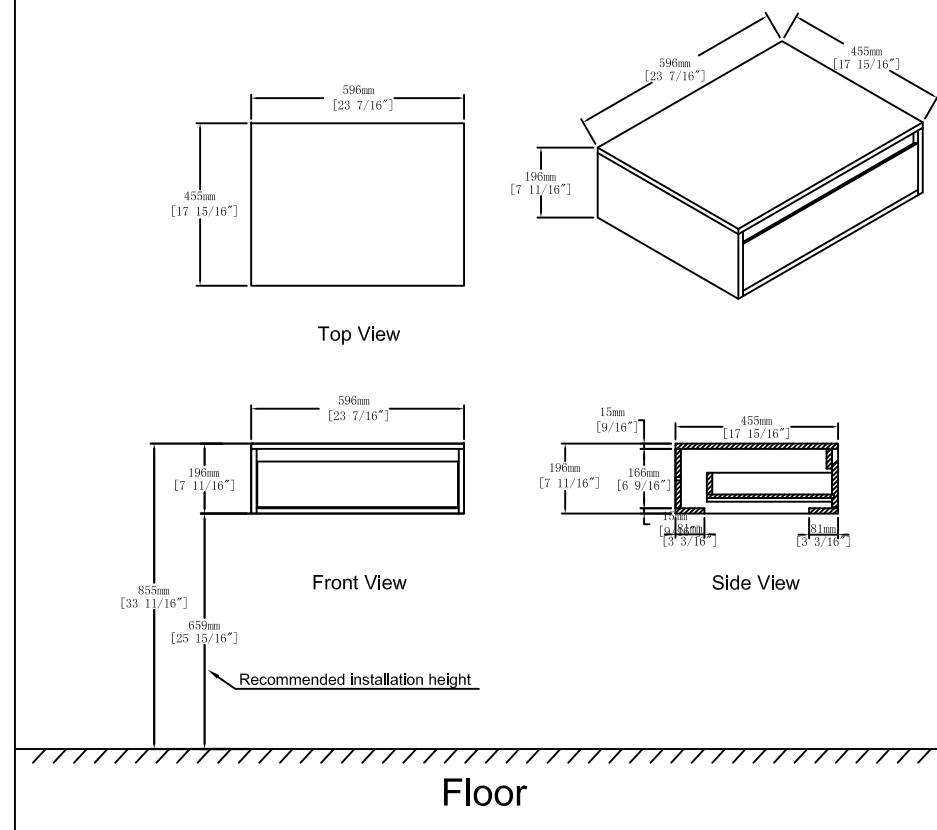
Hardware

NO.	Draw	QTY	NO.	Draw	QTY
A	 Screws Ø4x14mm	10			
B	 Two-in-one connector	33	G	 G-R G-L	1
C	 Two-in-one connector	33		Track	
D	 Wood plug	2	H	 Screws Ø4x20mm	4
E	 Plastic anchor(Ø10mm)	2	I	 Anti-collision gasket	2
F	 Screws for fix on the wall	2	J	 Screwdriver	1

Recommended tools



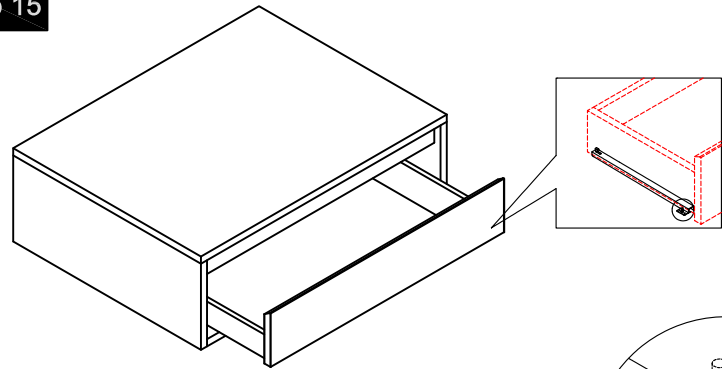
Dimensions



CARE CLEANING AND MAINTENANCE

1. Dust regularly with a soft , dry cloth.
2. Avoid the use of all chemicals household cleaners, abrasives, or cleaners that contain lemon, vinegar, or other acids that may damage the finish.
3. Excessive exposure to sunlight and extreme changes in temperature and moisture can damage wood furniture.
4. Do not place hot appliances, such as curling irons and hot hair dryers directly on the countertop. Wipe spills immediately.

Step 15



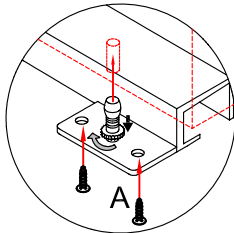
($\varnothing 4 \times 14\text{mm}$)

x4

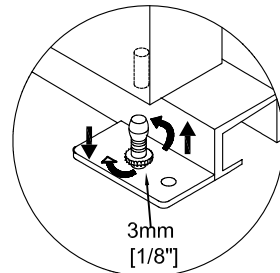
A



Tool

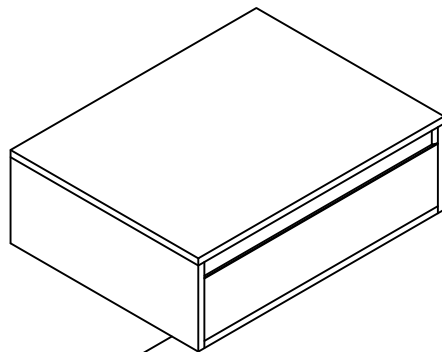


Note: The bottom of the rail is fixed with screw A

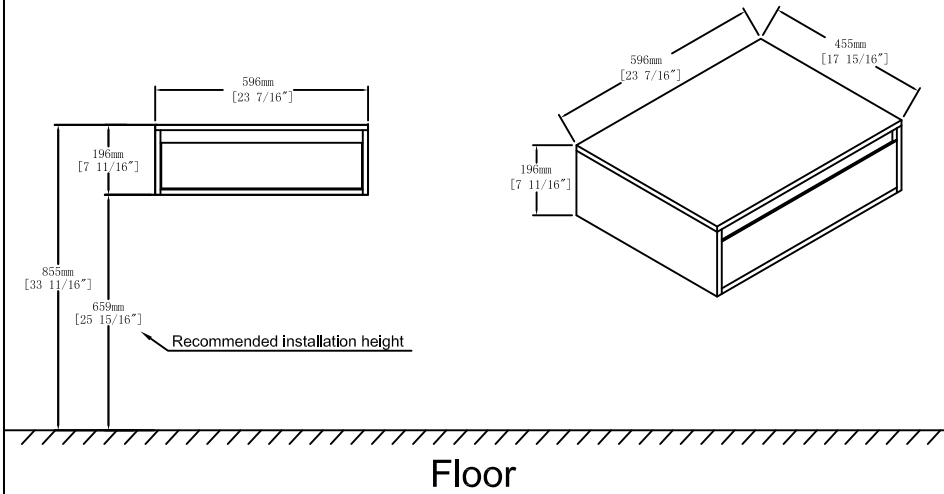


Note: The rails adjust their height 3mm.

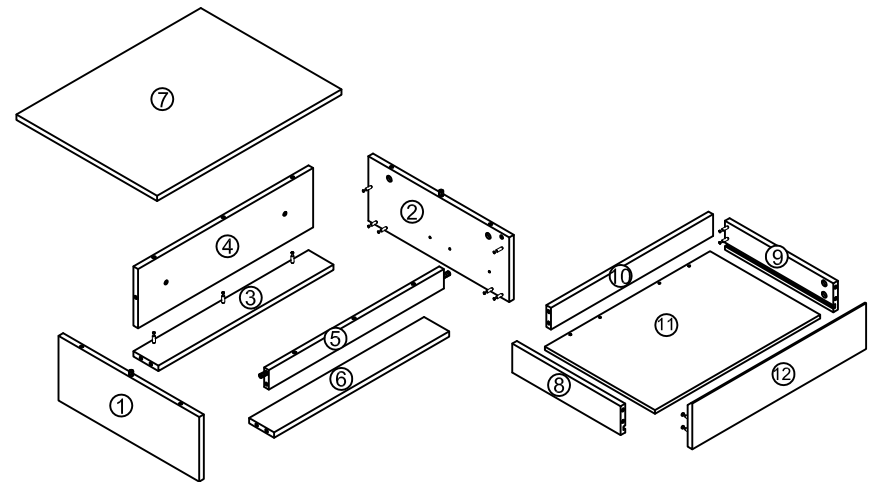
Finished



Dimensions

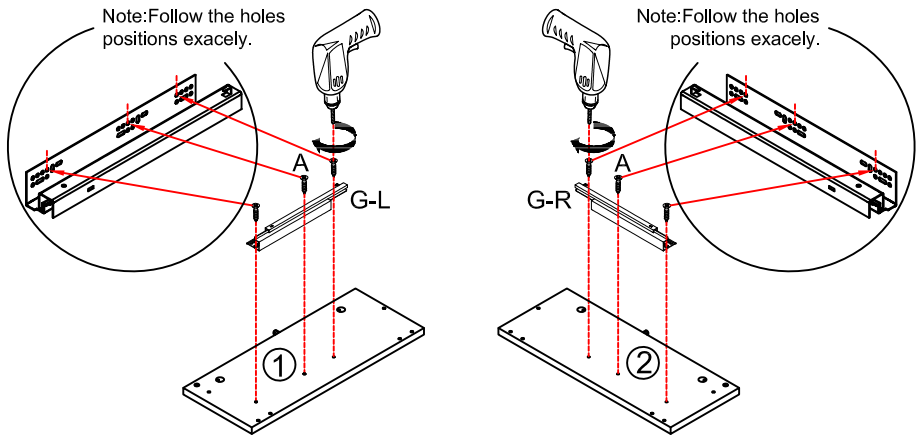


Components



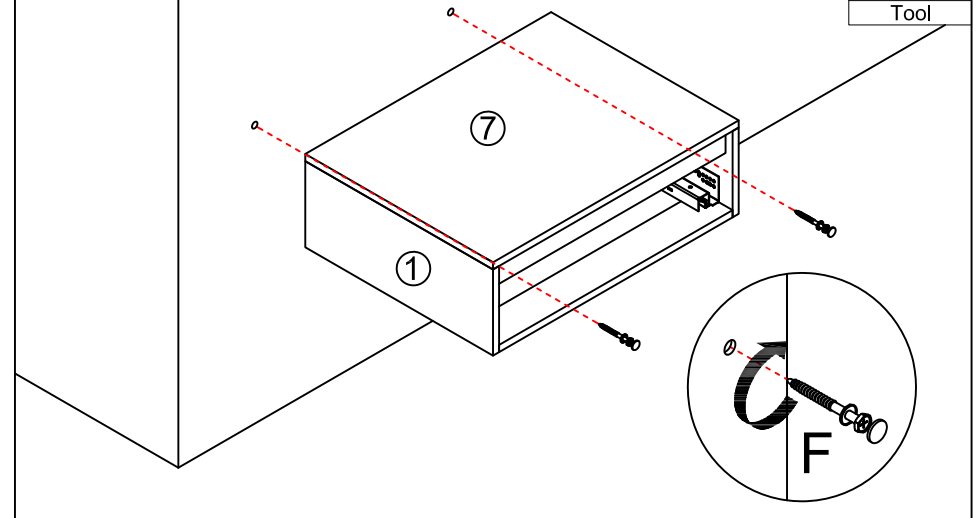
Step 1

($\varnothing 4 \times 14\text{mm}$) A x6	G-L G-R x1	 Tool
--	---------------	----------



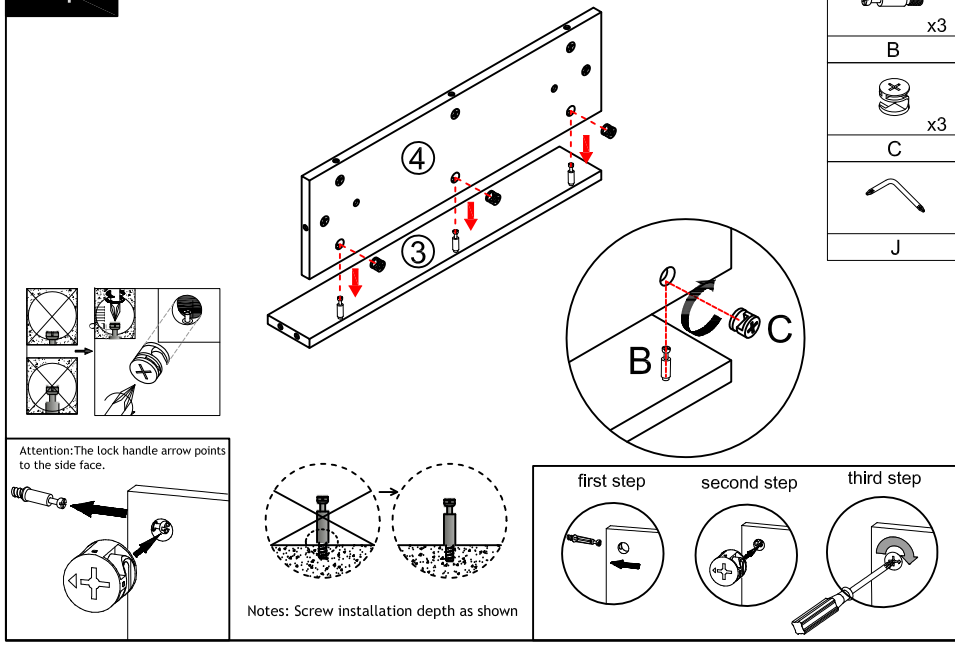
Step 13

 F x2	 Tool
----------	----------

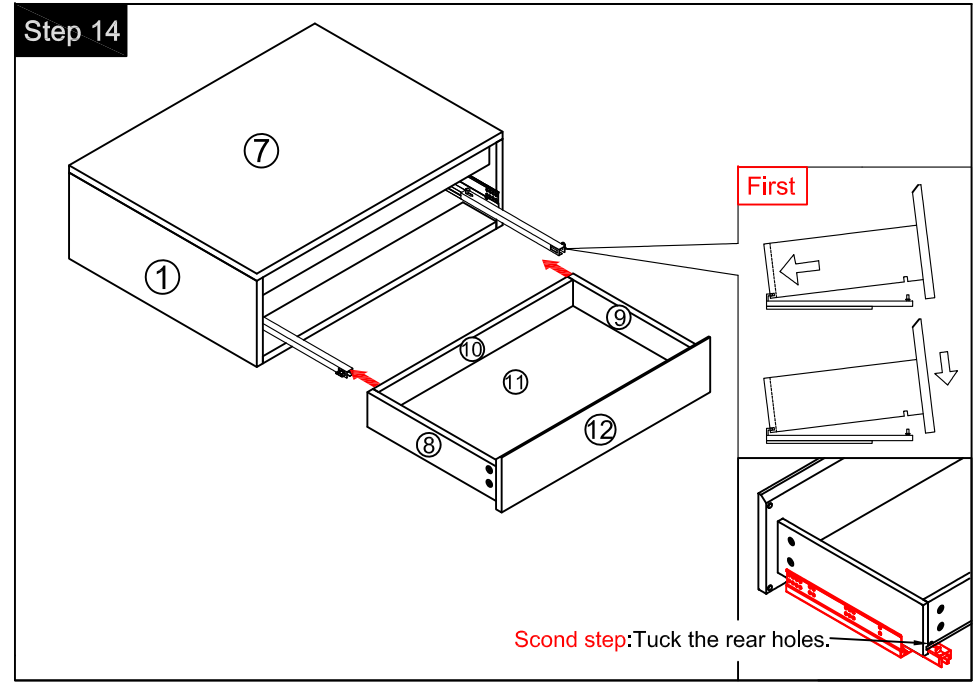


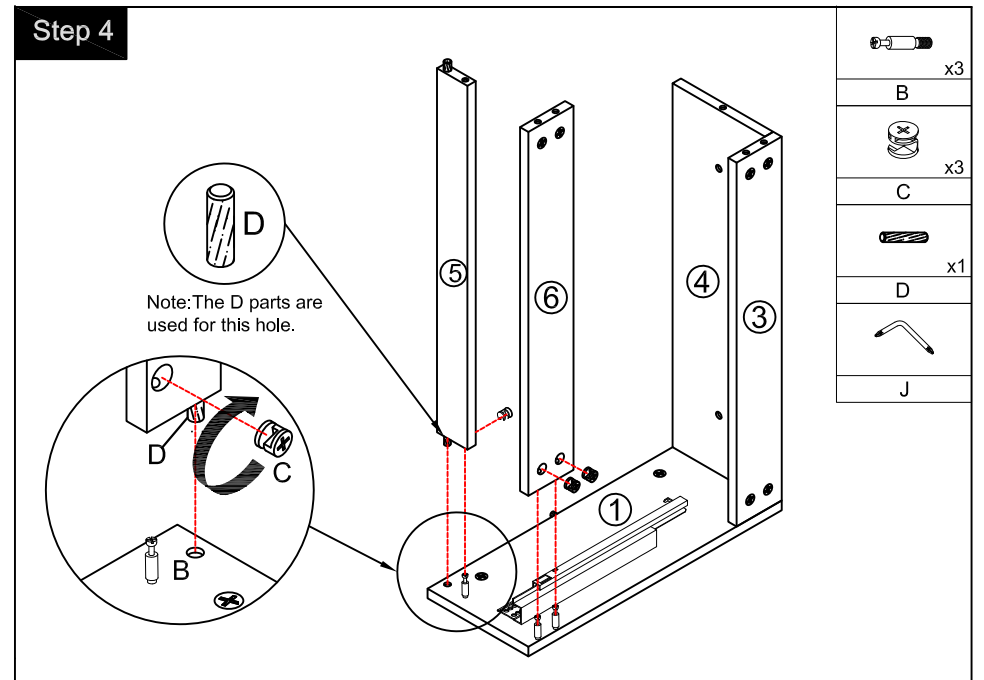
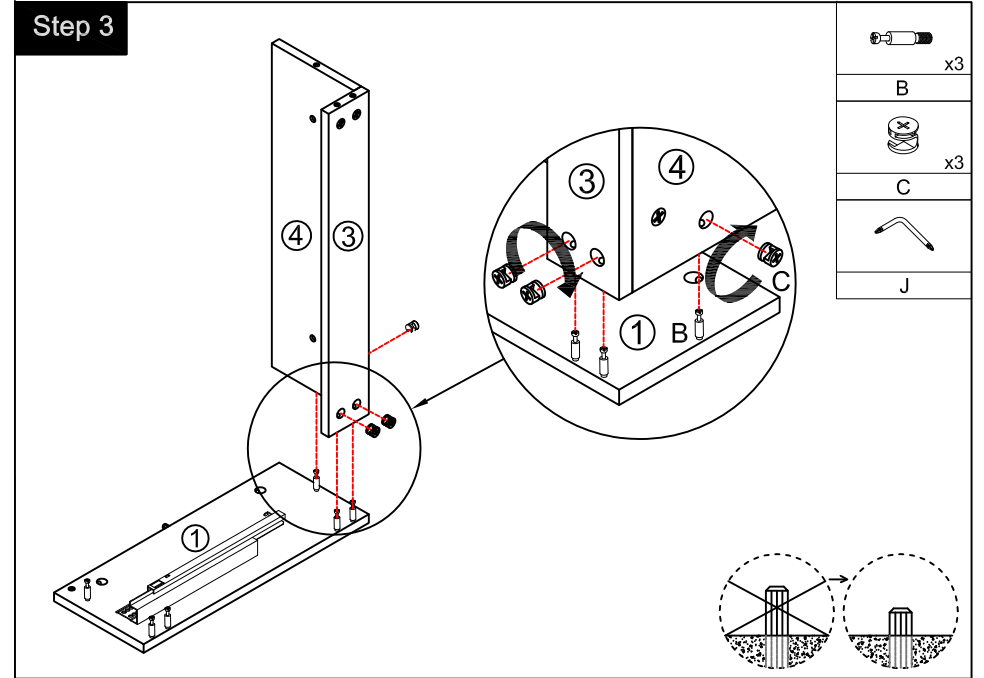
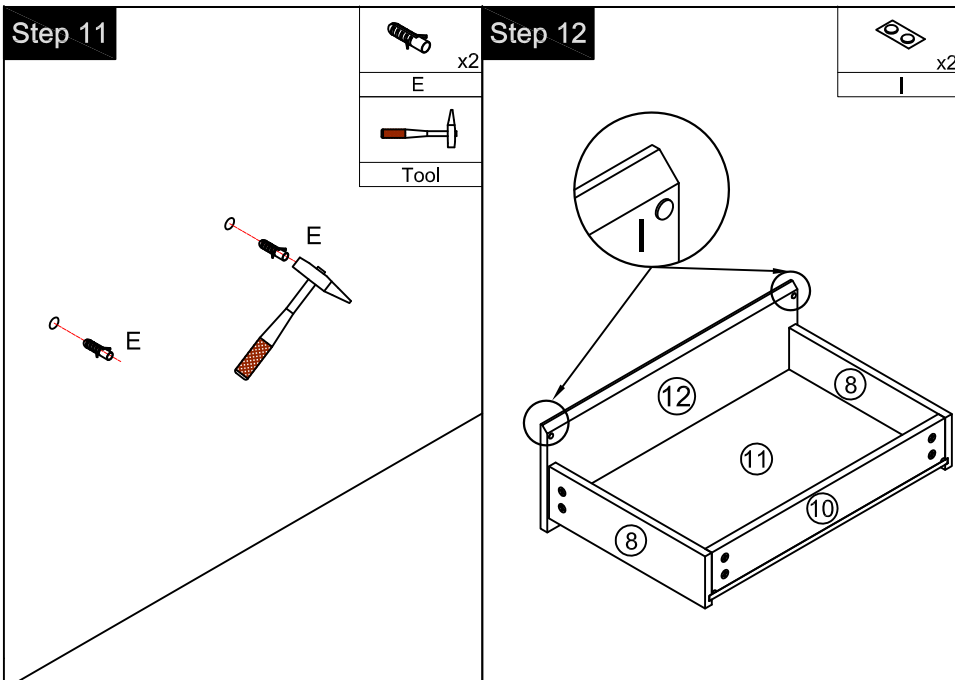
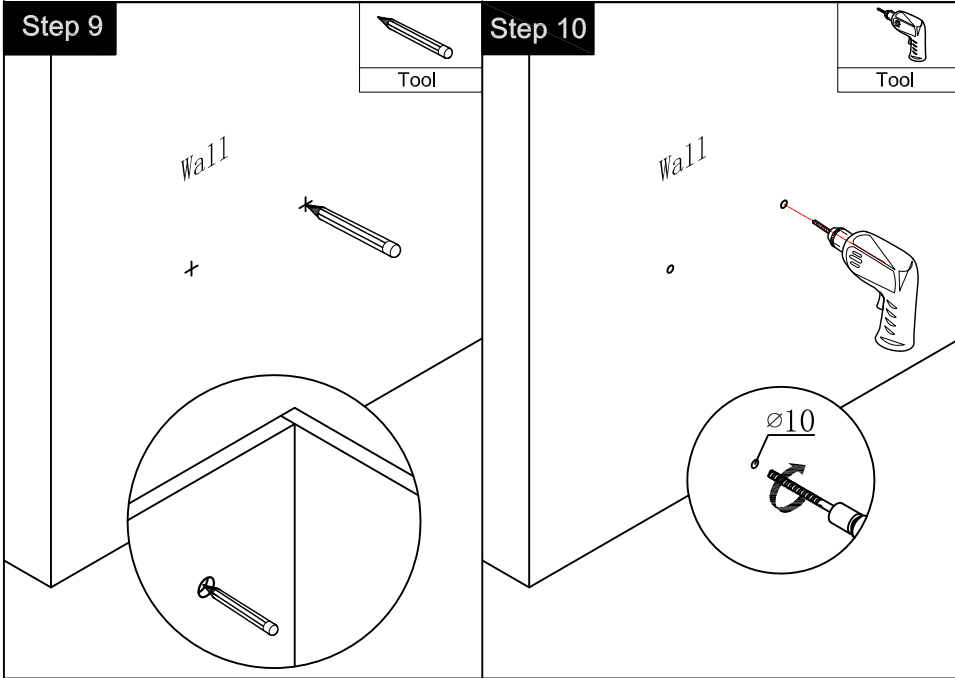
Step 2

 x3
B
 x3
C
 J

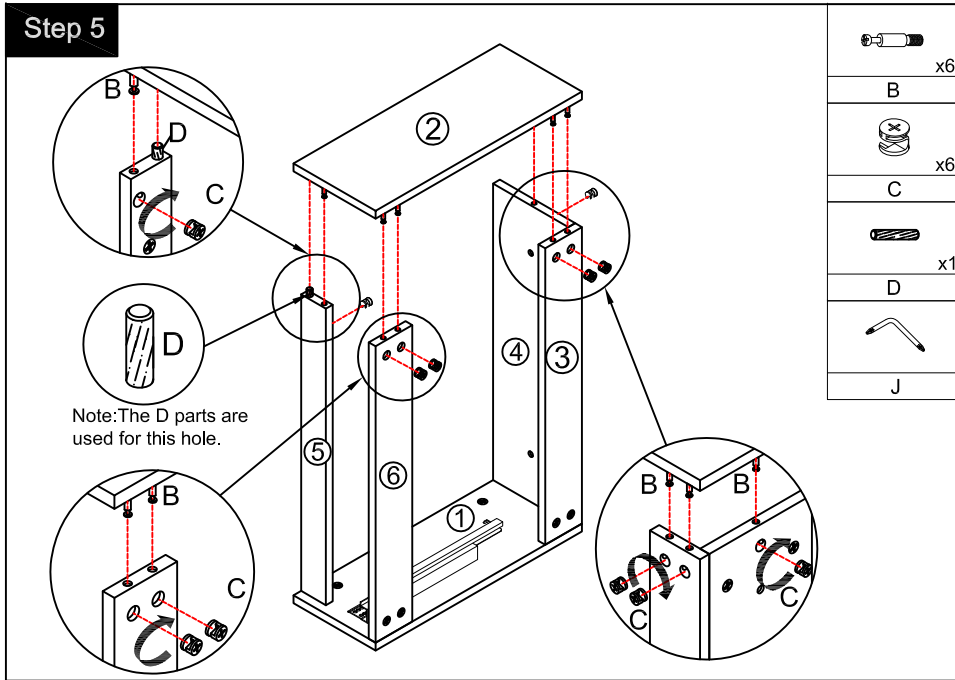


Step 14

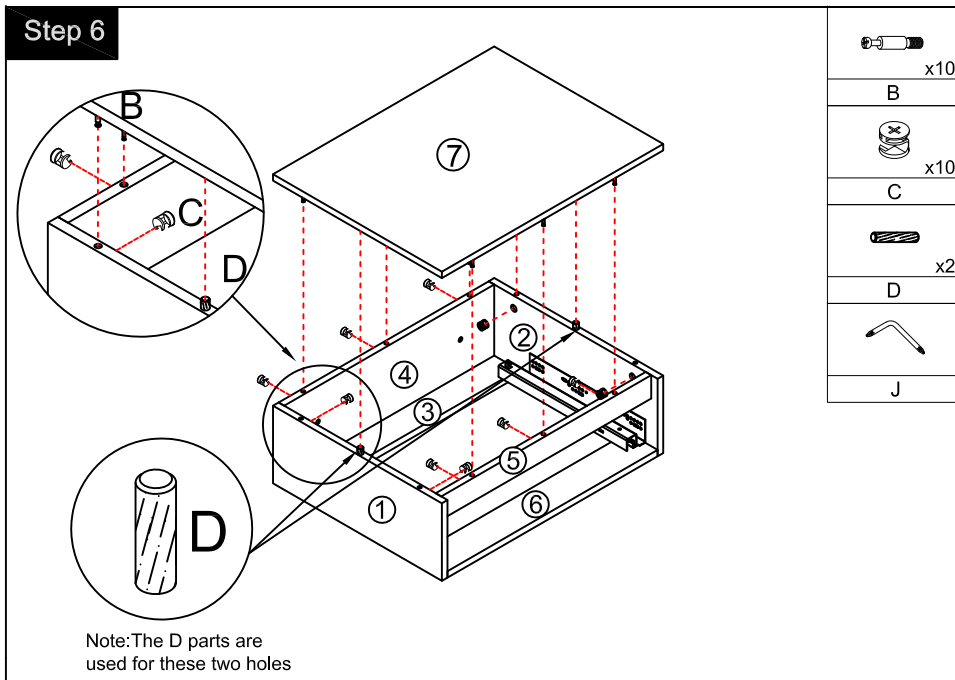




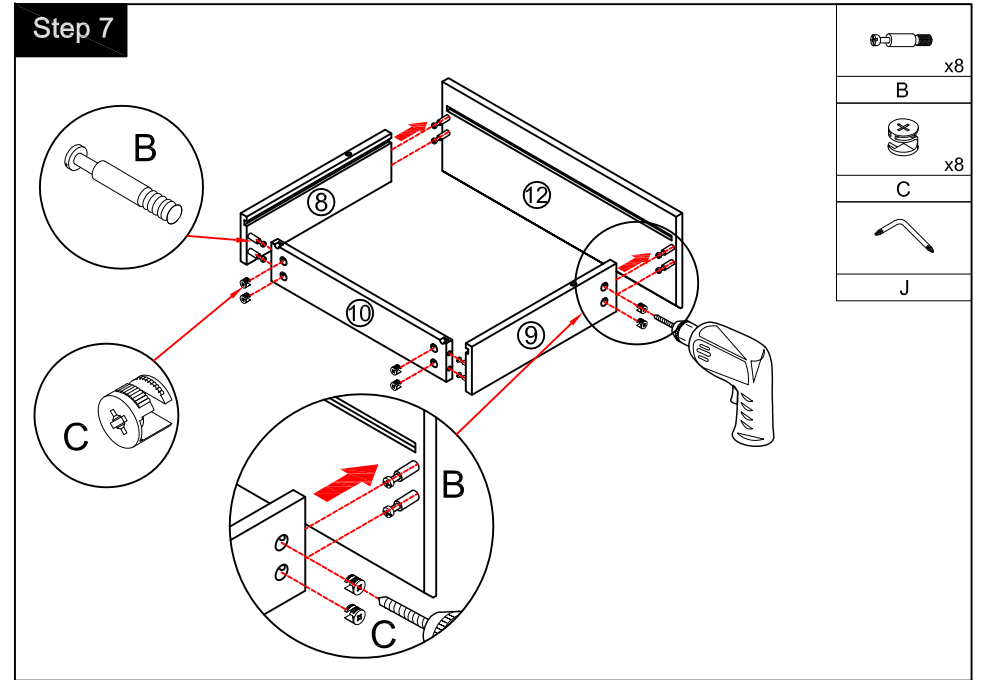
Step 5



Step 6



Step 7



Step 8

