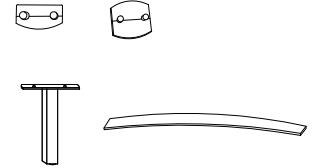
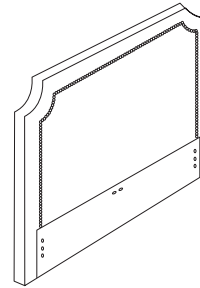
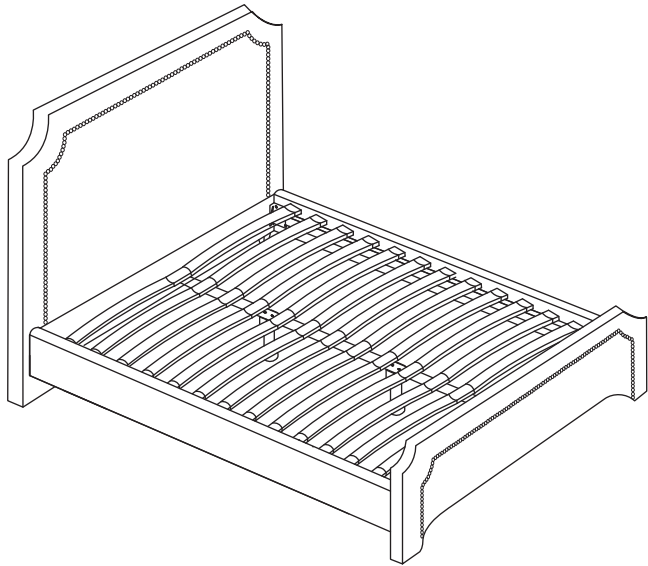


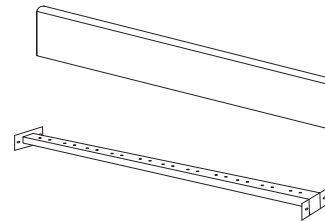
ASSEMBLY INSTRUCTIONS

NO.:AMERICAN BED-QUEEN

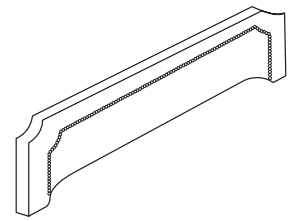


BOX-1

BOX-2

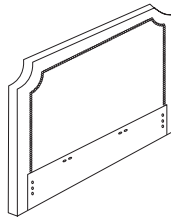


BOX-3



spare parts 1

A



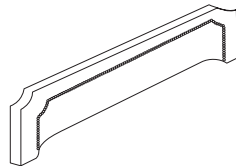
Headboard

x1

These parts are located at the back of the headboard.



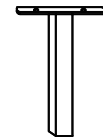
B



Footboard

x1

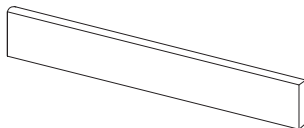
E



Metal Leg Support

x4

C



Side

x2

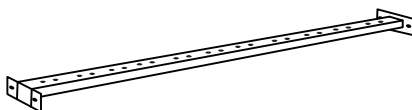
F



Slat

x 39

D



Center Support bar

x2

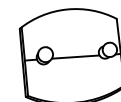
G



Rails plastic slat

x26

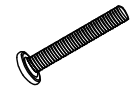

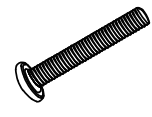
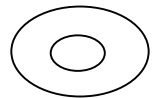
H



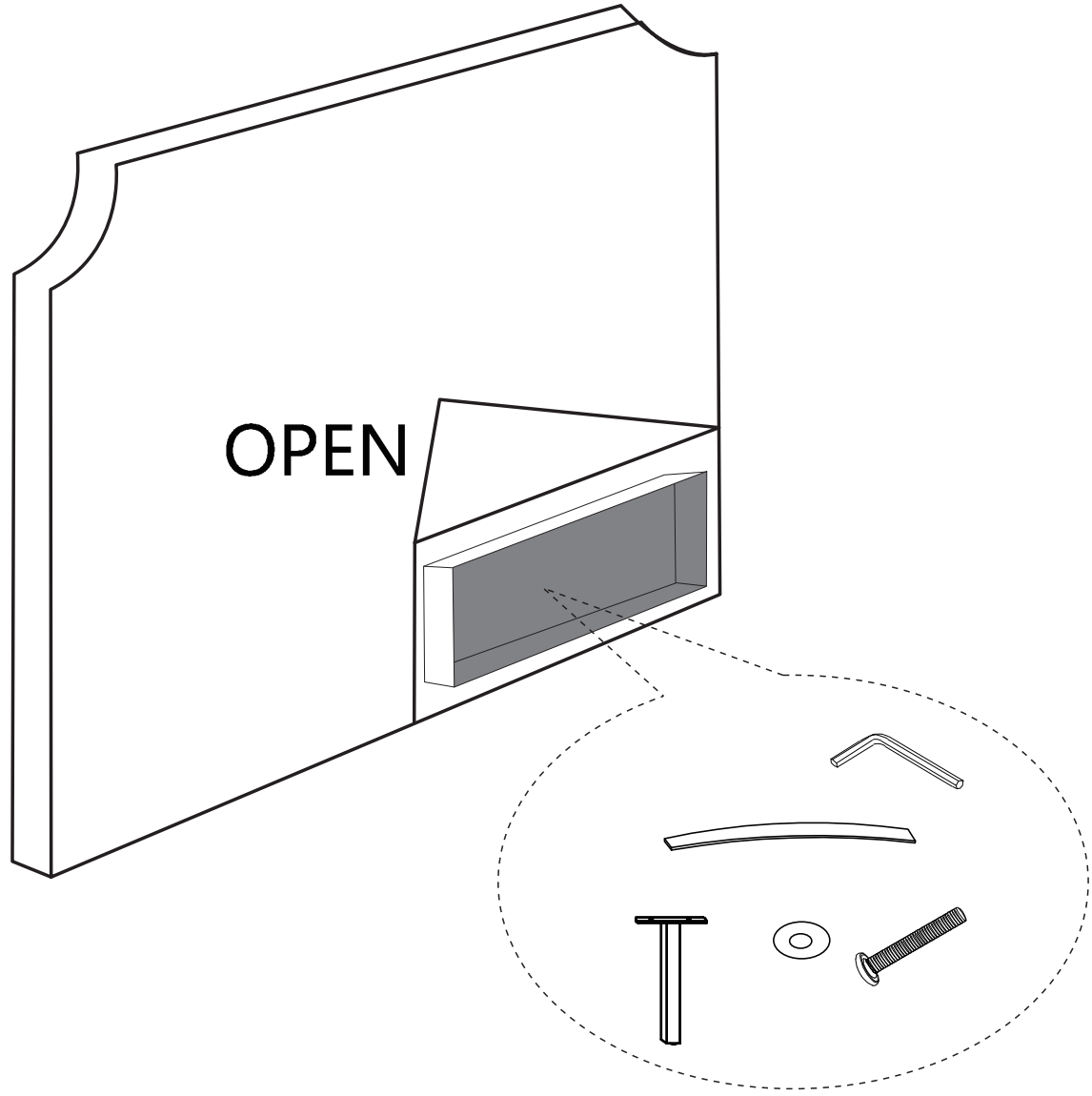
Center plastic slat

x26

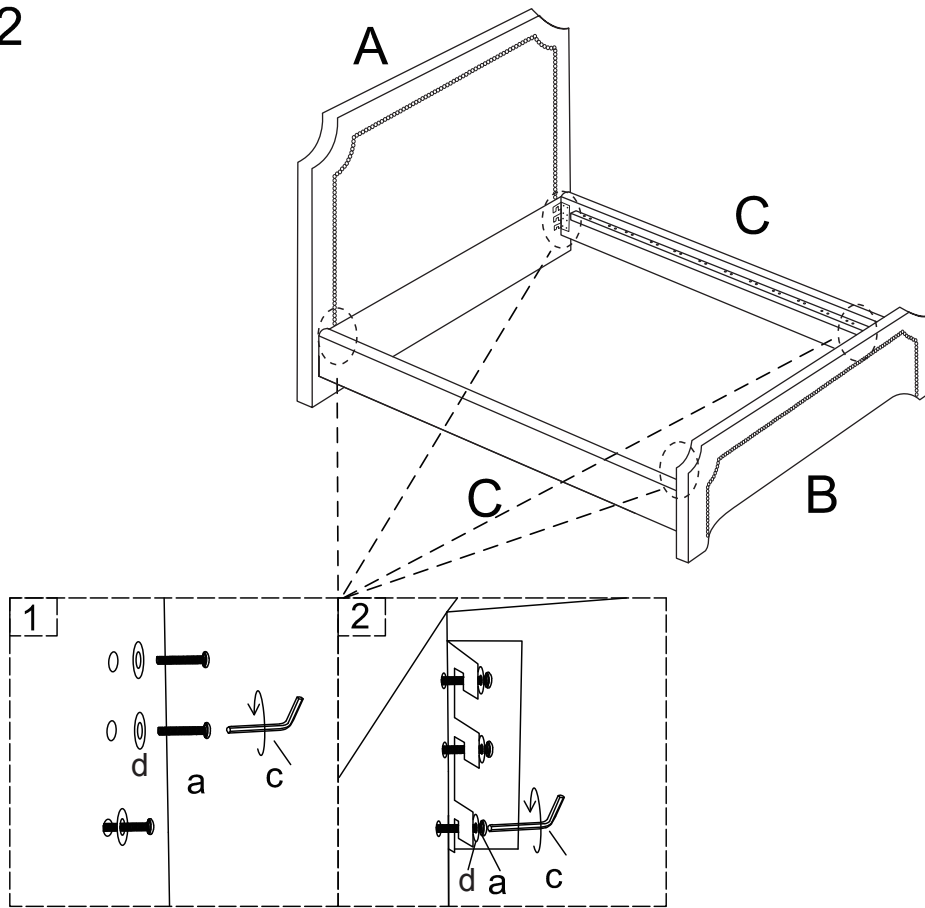
spare parts 2 These parts are located at the back of the headboard. ↓

a	 5/16*35mm x16	c	 5/16 x1
b	 5/16*25mm x4	d	 5/16 x20

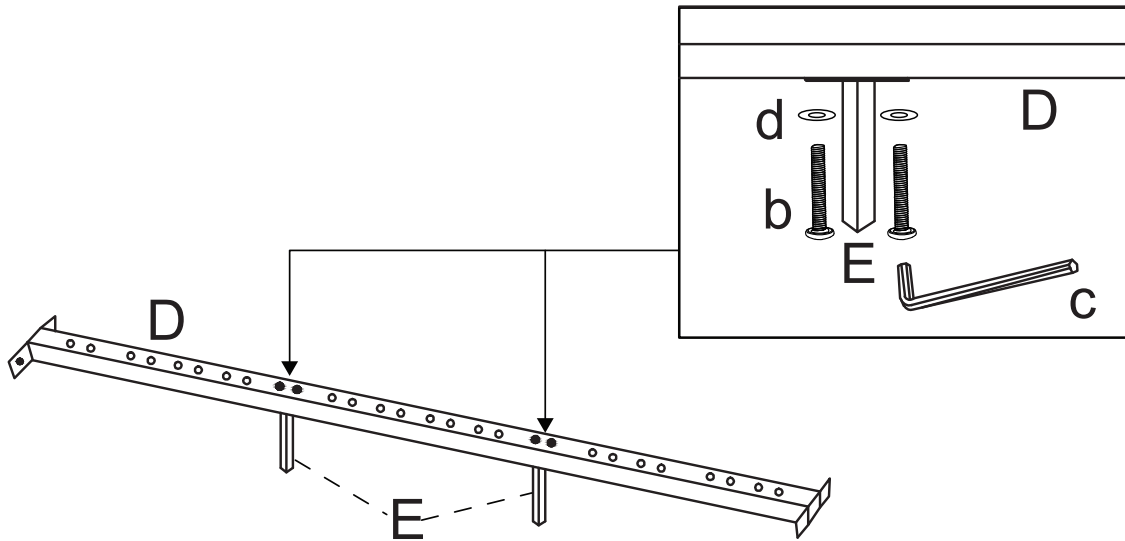
setp:1



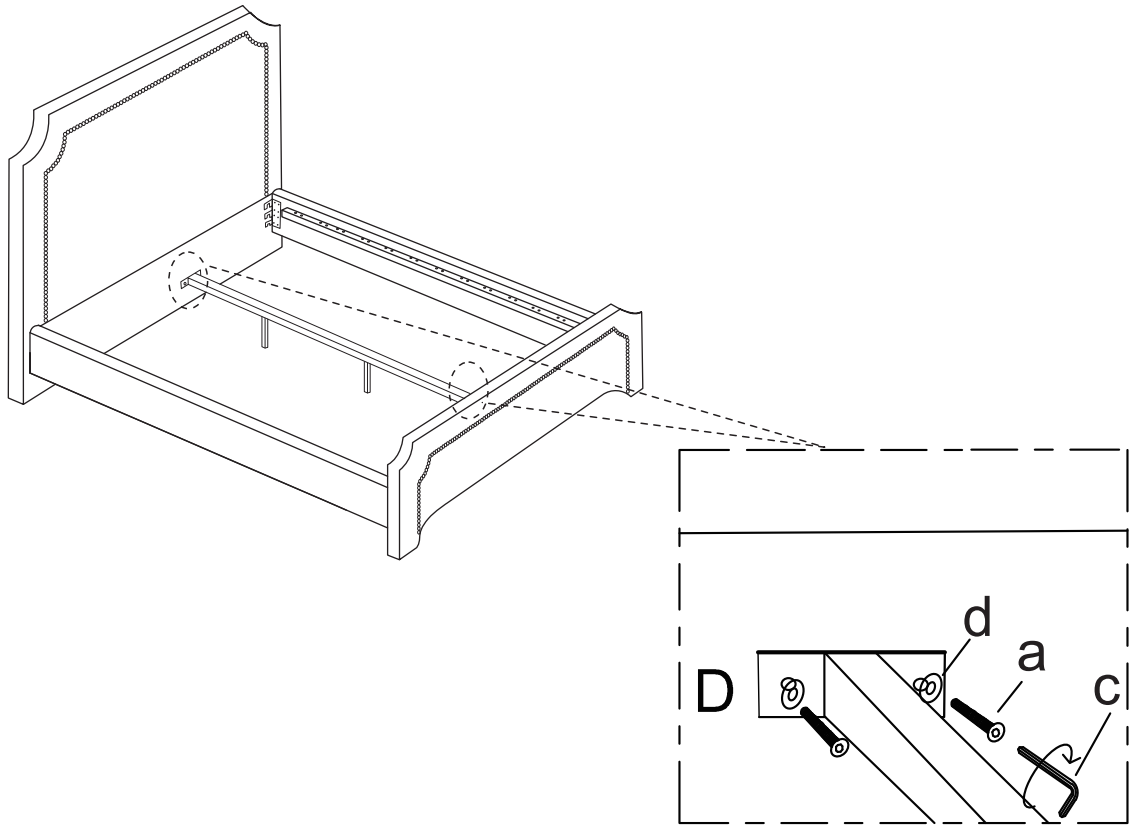
setp:2



setp:3



setp:4



setp: 5

