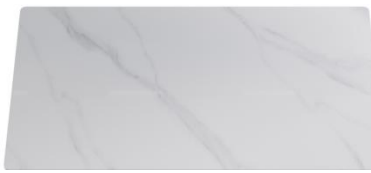







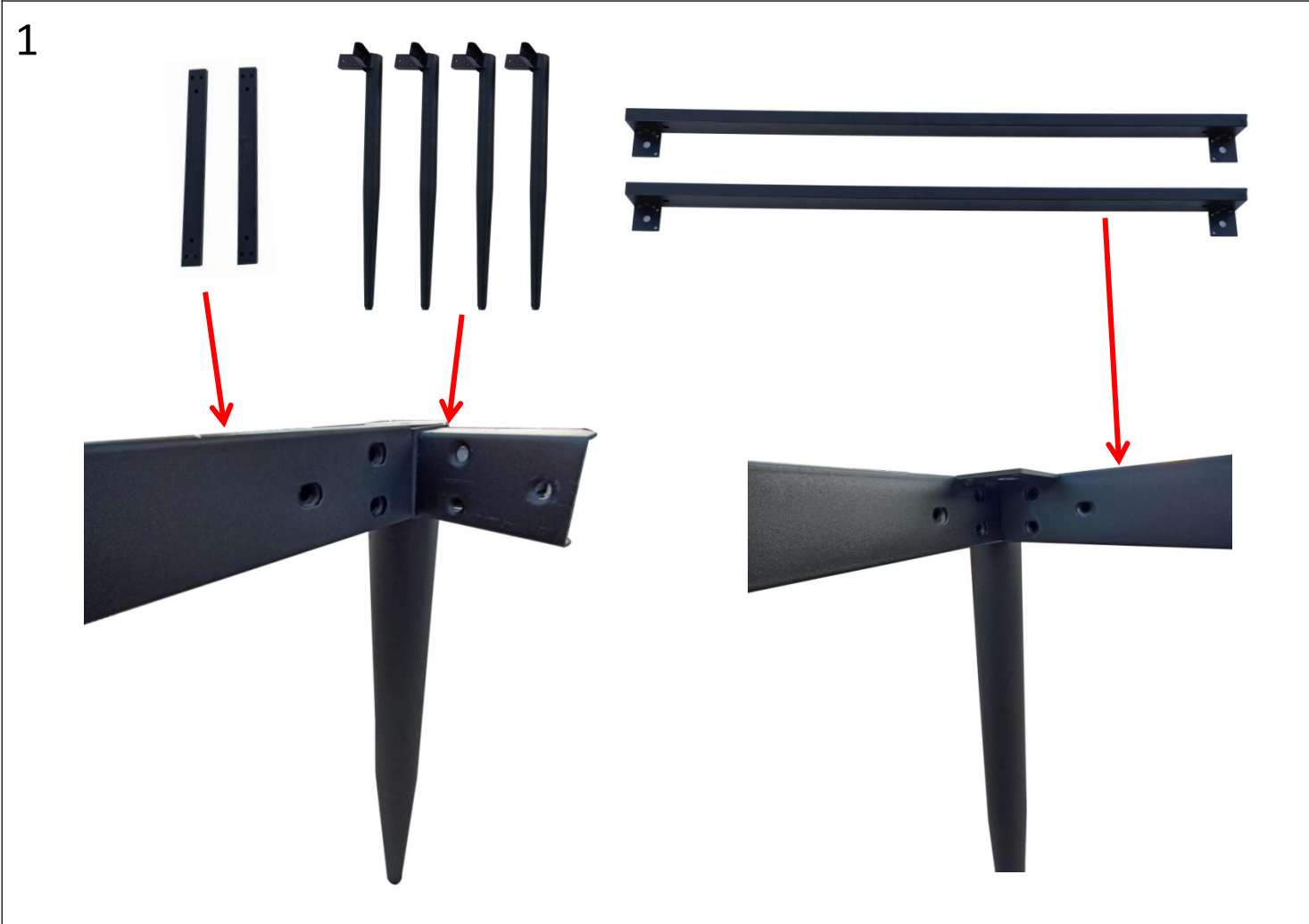
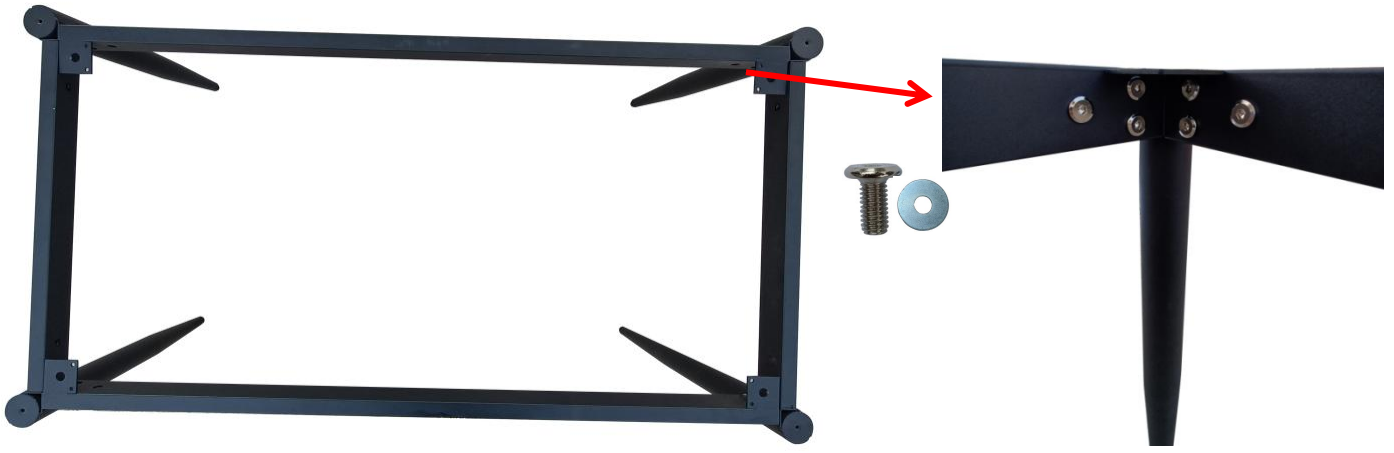


Installation

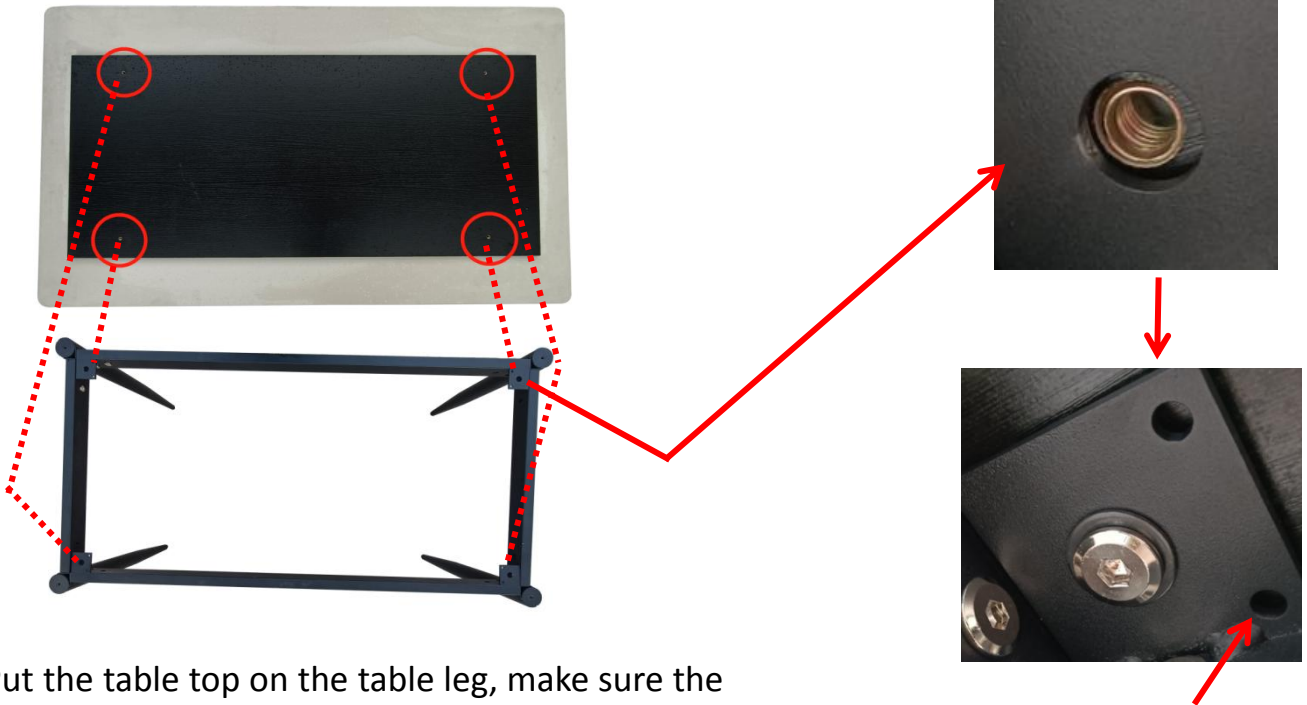
Hardware List		Hardware List	
 Table top	1	 Table leg	4
 Short square beam	2	 Long square beam	2
 8x16mm screw	28	 Washer	4
 spare 4x15mm Self-tapping screws	8	 Hexagonal screw tap	1





First connect the beams with the legs, and then fix it with 8x16mm

2

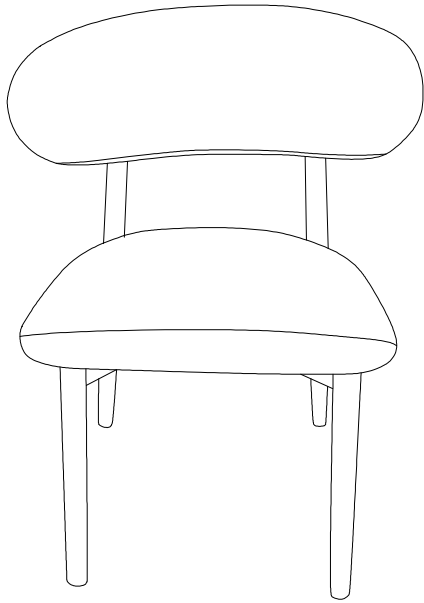


Put the table top on the table leg, make sure the reserved screw holes of the table top and the frame are corresponding, tighten 8x16mm screws to finish the installation.

This is a spare screw hole. When the 8x16mm screw fails to be screwed in, the hole can be fixed with a 4x15mm self-tapping screw. Either way will do.



MH-DC1

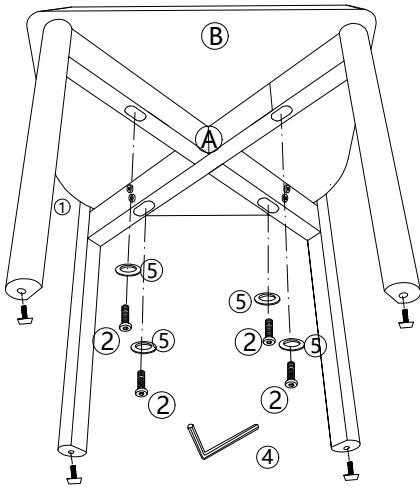


Notice:

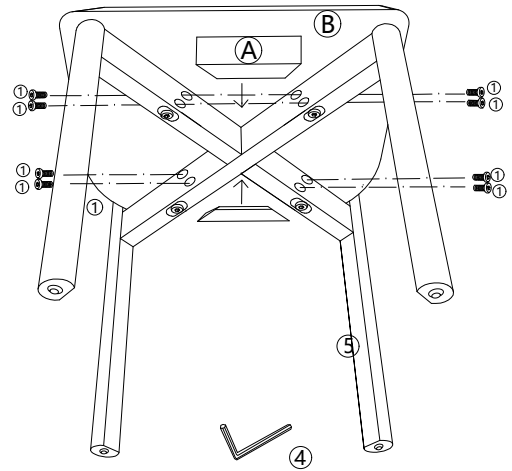
1. Follow the installation instructions. Please confirm all accessories are preset before installation.
2. Do not fully tighten the screws during initial assembly. Fully tighten screws only once all pieces which are correctly assembled.
3. If you encounter any problems during installation, please contact our customer service.

	Reference Image	Qty
(A)		x1
(B)		x1
(C)		x1

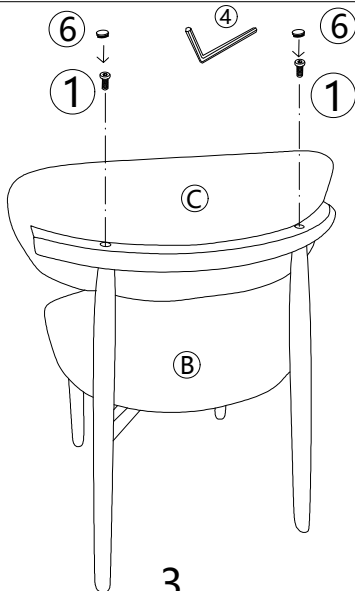
	Reference Image	Qty
(1)		x10
(2)		x5
(3)		x4
(4)		x1
(5)		x4
(6)		x2



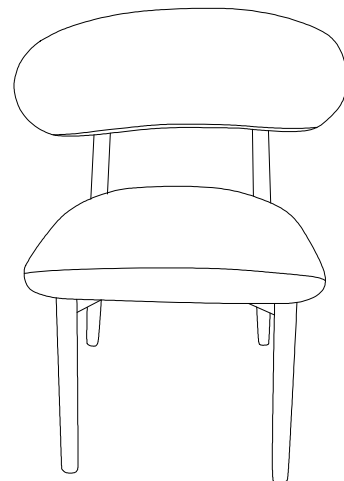
1



2



3



4