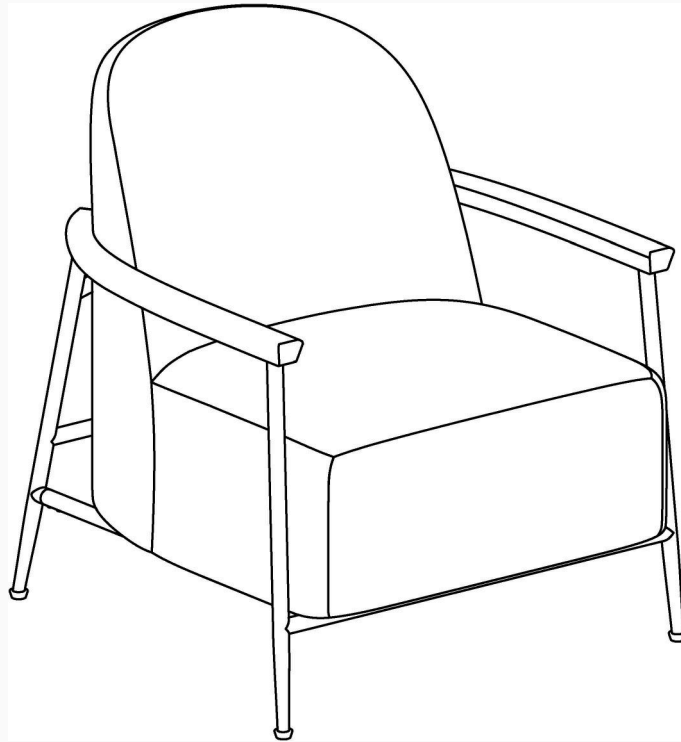


---

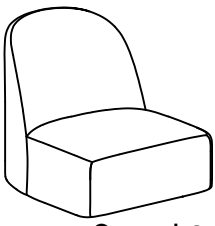
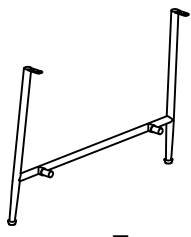
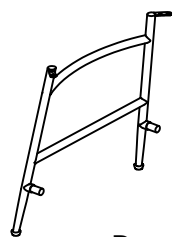
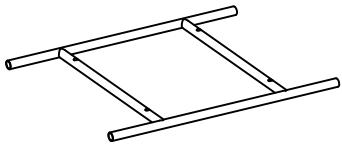
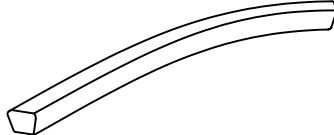
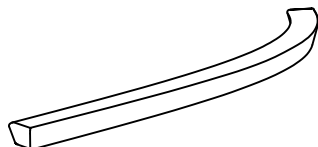
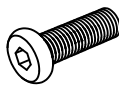
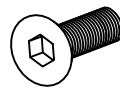

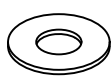
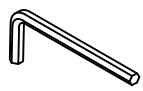


# Assembly Manual

## Accent Chair



### ▲ CAUTION

THIS ASSEMBLY MANUAL CONTAINS IMPORTANT SAFETY INFORMATION.  
PLEASE READ AND KEEP FOR FUTURE REFERENCE.

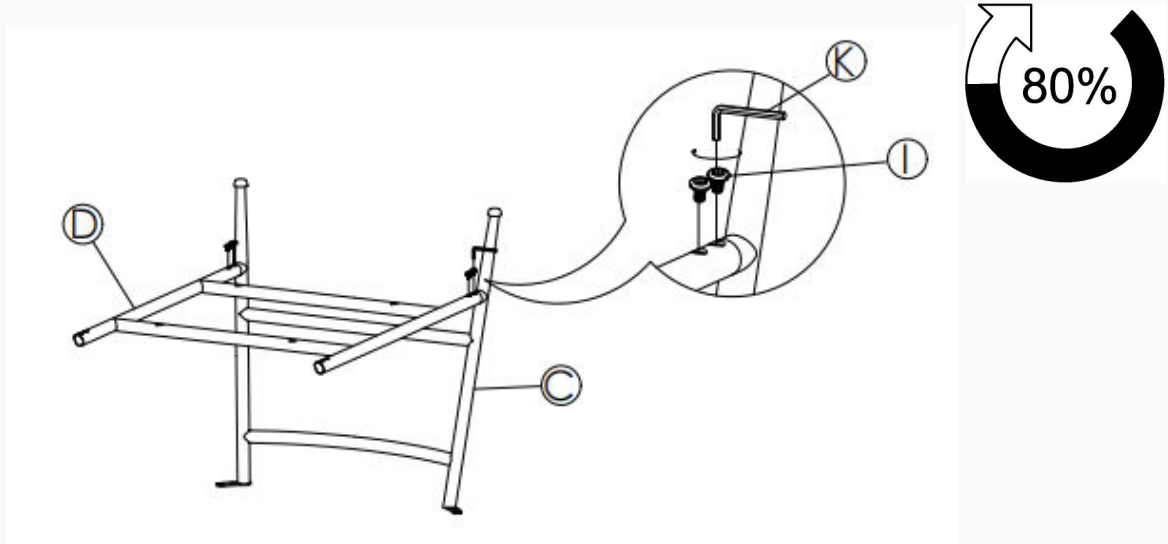
<p>Ax1</p>  <p>Seat&amp;Back</p>	<p>Bx1</p>  <p>Front Leg</p>	<p>Cx1</p>  <p>Back Leg</p>
<p>Dx1</p>  <p>Stretcher</p>	<p>Ex1</p>  <p>Left Arm</p>	<p>Fx1</p>  <p>Right Arm</p>
<p>Gx4</p>  <p>M6x50mm Long Bolt</p>	<p>Hx8</p>  <p>M6x20mm Bolt</p>	<p>Ix8</p>  <p>M6x10mm Short Bolt</p>
<p>Jx4</p>  <p>M6 Flat Washer</p>	<p>Kx1</p>  <p>4# Allen Wrench</p>	<p>Lx4</p>  <p>M6 Spring Washer</p>
<p>Mx4</p>  <p>Ø15mm Felt Pad</p>		

Please read through the instructions below to familiarize yourself with the parts and steps before assembly.

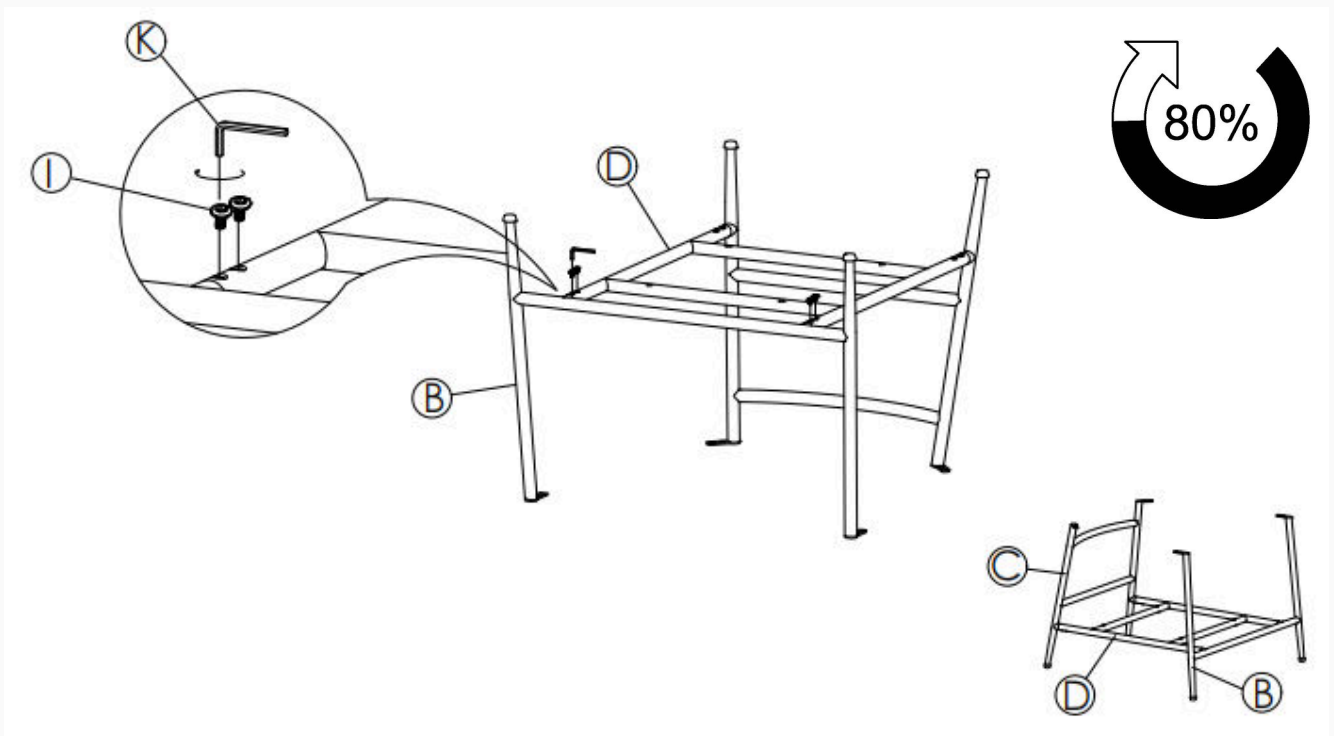
**Note: Do NOT use power tools for assembly.**

# ASSEMBLY INSTRUCTIONS

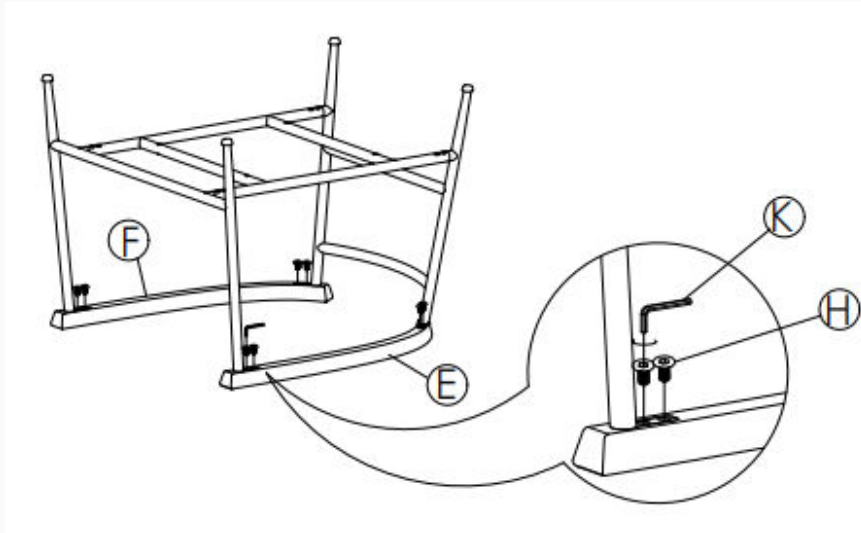
- 1 Attach the Stretcher (D) to the Back Leg (C), using Short Bolts (I) and Allen Wrench (K). **Do not fully tighten.**



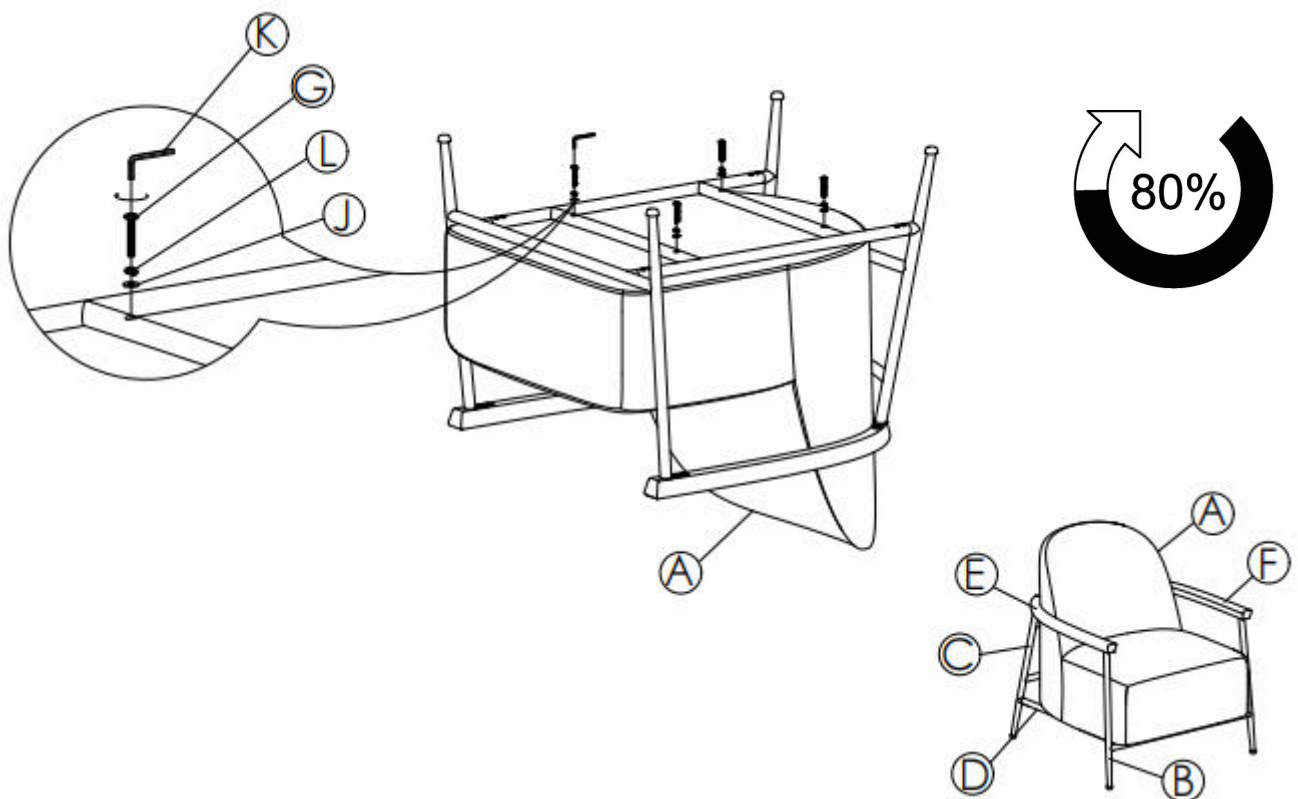
- 2 Attach the Front Leg (B) to the Stretcher (D), using Short Bolts (I) and Allen Wrench (K). **Do not fully tighten.**



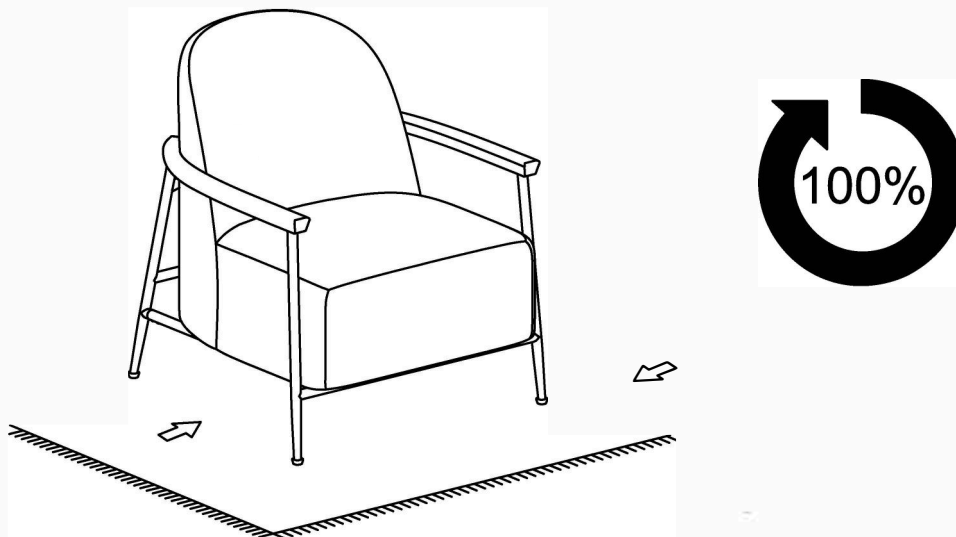
- 3** Attach the Left Arm (E) and Right Arm (F) to the assembled chair frame in Step 2, using Bolts (H) and Allen Wrench (K). **Do not fully tighten.**



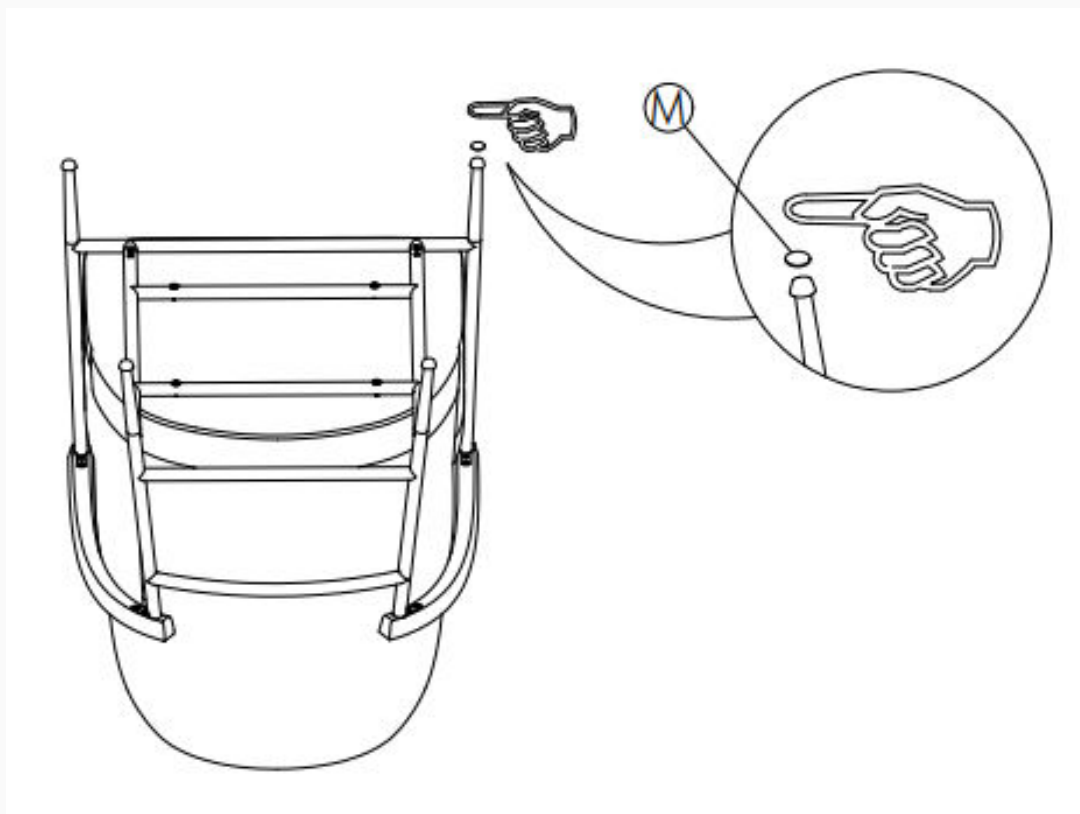
- 4** Attach the Seat & Back (A) to the assembled chair frame in Step 3, using Flat Washers (J), Spring Washers (L), Long Bolts (G), and Allen Wrench (K). **Do not fully tighten.**



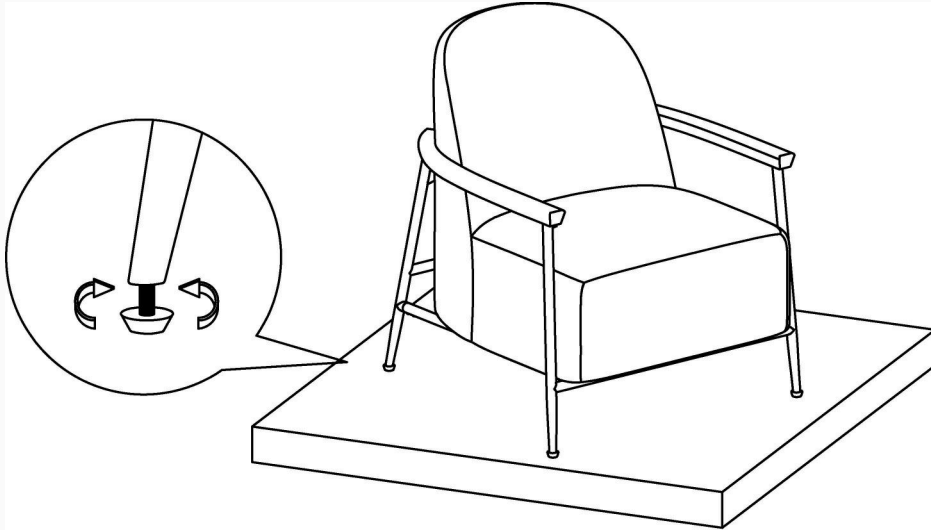
- 
- 5** Put the assembled chair in Step 4 on a flat surface. Push arms left and right as necessary to level. Once level, **fully tighten all bolts**.



- 6** Complimentary Felt Pads (M) are included to help protect your floor or make the stool slide easier.



- 
- 7** Turn the assembled stool upright and place on a flat surface.  
**Note: Each leg has an adjustable foot leveler to help level your chair.**



- 8** Assembly complete. Enjoy.

