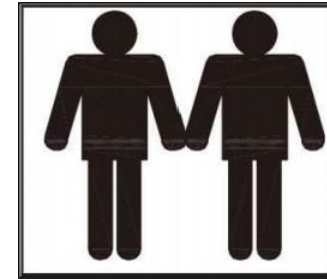
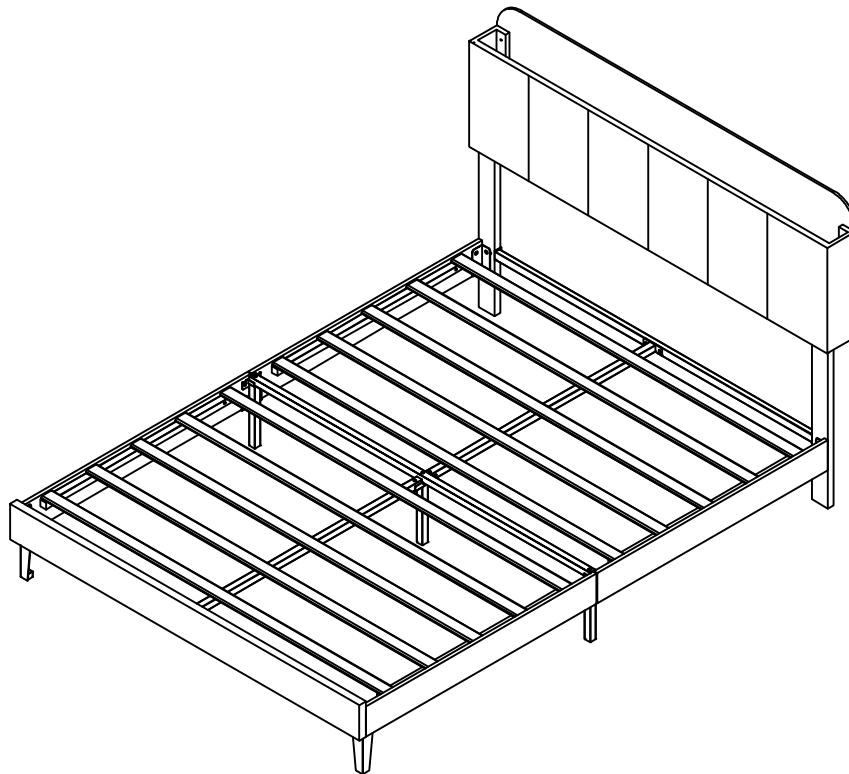


# Assembly Instruction

**Note:**

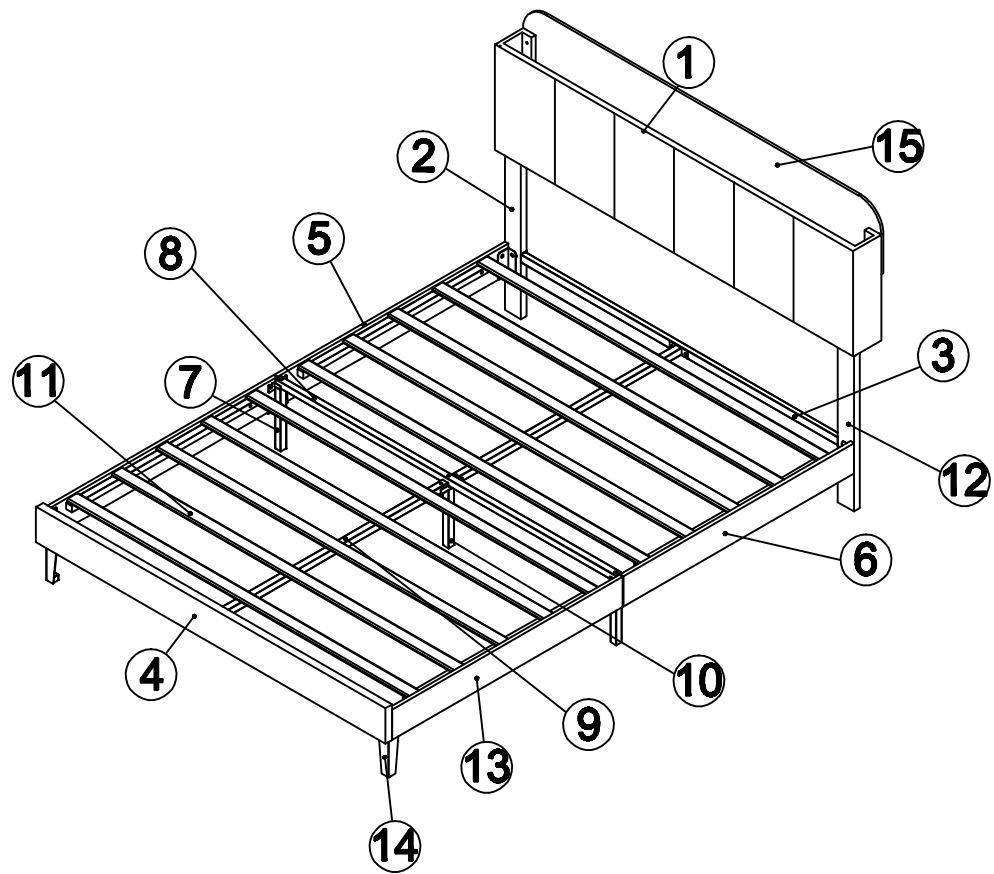
- 1. Should be assembled on flat ground to keep balance.**
- 2. Before completing the installation, do not tighten the screws.**



**It needs at least two people to install.**




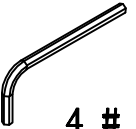


**Before starting the assembly, you must read the whole manual and follow the instructions.**

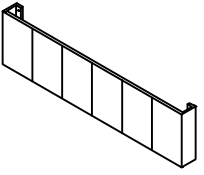
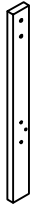
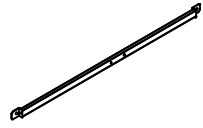
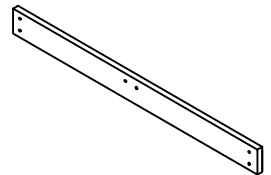
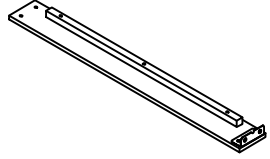
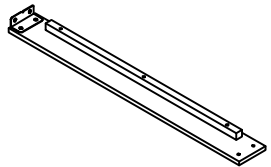
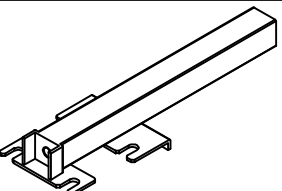

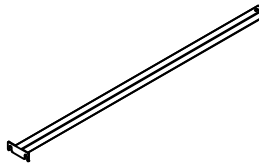
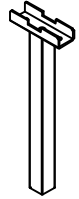
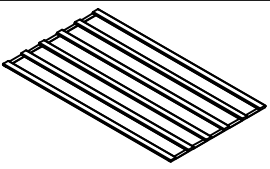
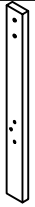
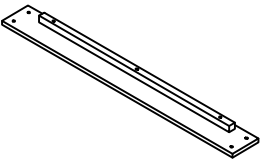
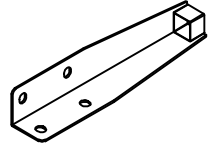
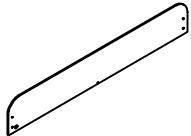



# Assembly Instruction

## Hardware arts

 <p><b>A</b> M8x20 31pcs</p>	 <p><b>B</b> M8x35 4 pcs</p>	 <p><b>C</b> M8x45 5pcs</p>	 <p><b>D</b> 4 # 1pc</p>		
---	---	---	---	--	--

## Part list

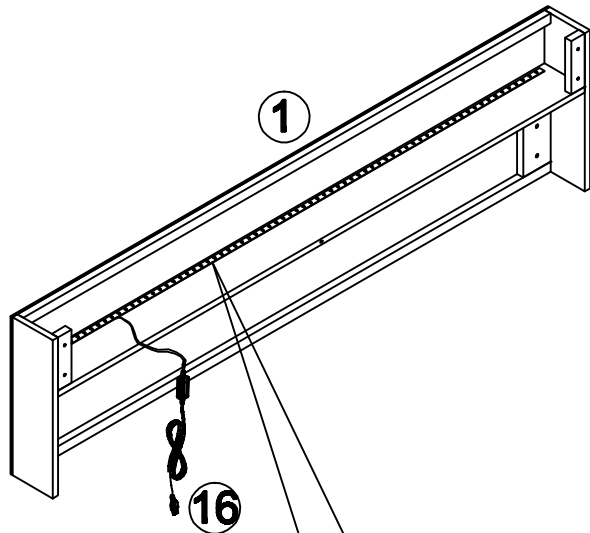
 <p><b>1</b> 1 PC</p>	 <p><b>2</b> 1 PC</p>	 <p><b>3</b> 1 PC</p>	 <p><b>4</b> 1 PC</p>	 <p><b>5</b> 1 PC</p>	 <p><b>6</b> 1 PC</p>
 <p><b>7</b> 2 PCS</p>	 <p><b>8</b> 1 PC</p>	 <p><b>9</b> 2 PCS</p>	 <p><b>10</b> 1 PC</p>	 <p><b>11</b> 2 PCS</p>	 <p><b>12</b> 1 PC</p>
 <p><b>13</b> 2 PCS</p>	 <p><b>14</b> 2 PCS</p>	 <p><b>15</b> 1 PC</p>	 <p><b>LED</b> <b>16</b> 1 PC</p>		<p>Page 3/10</p>

# Assembly Instruction

16



1pc



Attach the light strip of component (16) to the pre-made Velcro on the headboard.

A

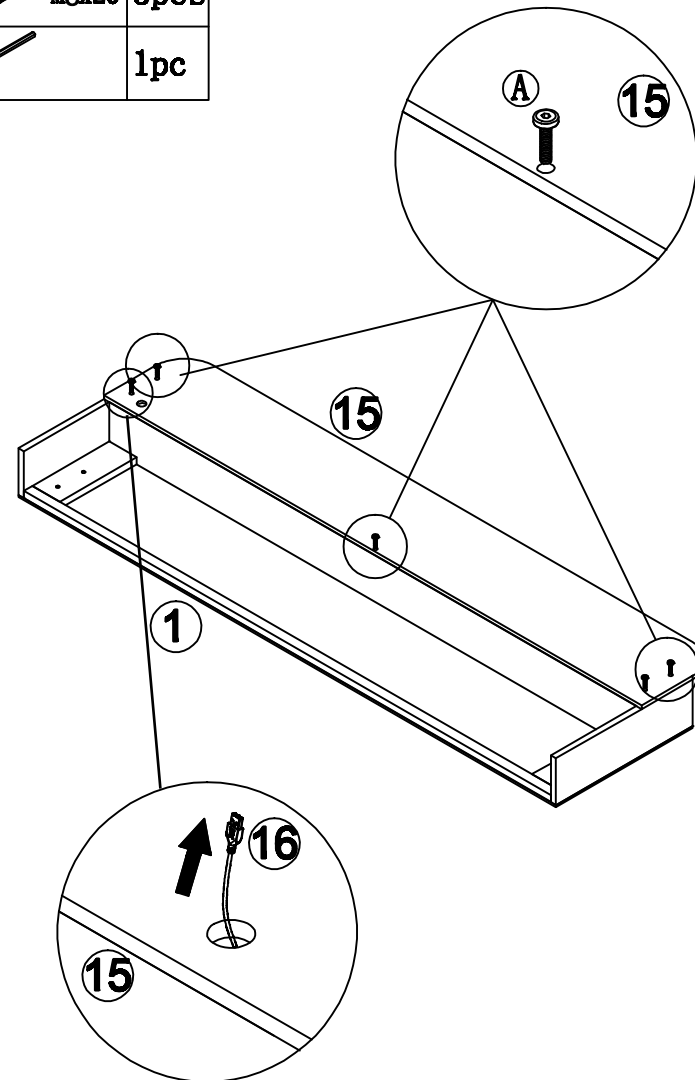


M8x20 5pcs



D

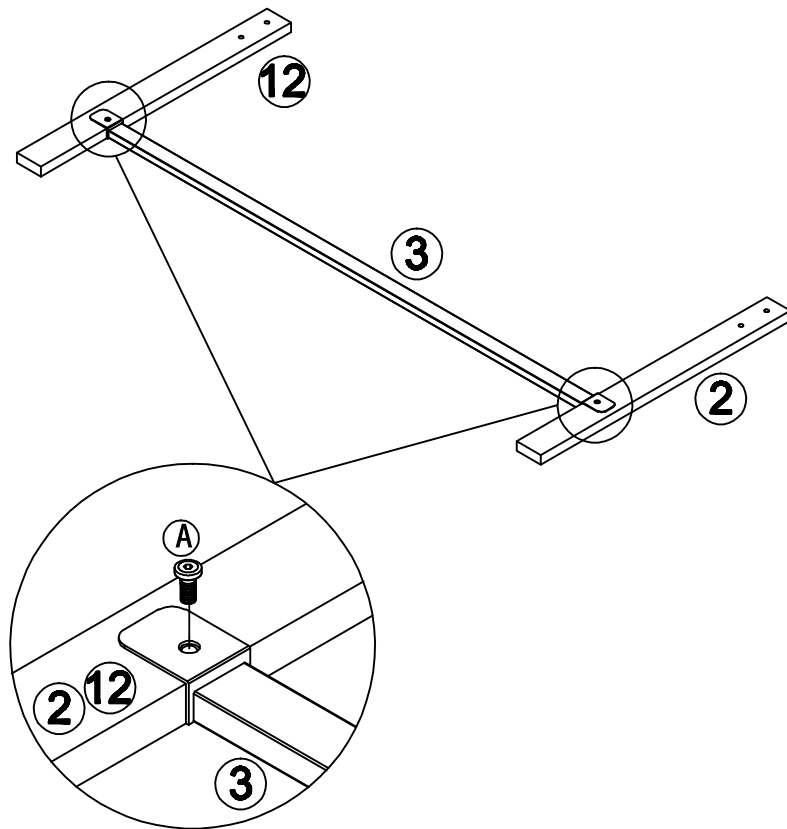




1pc

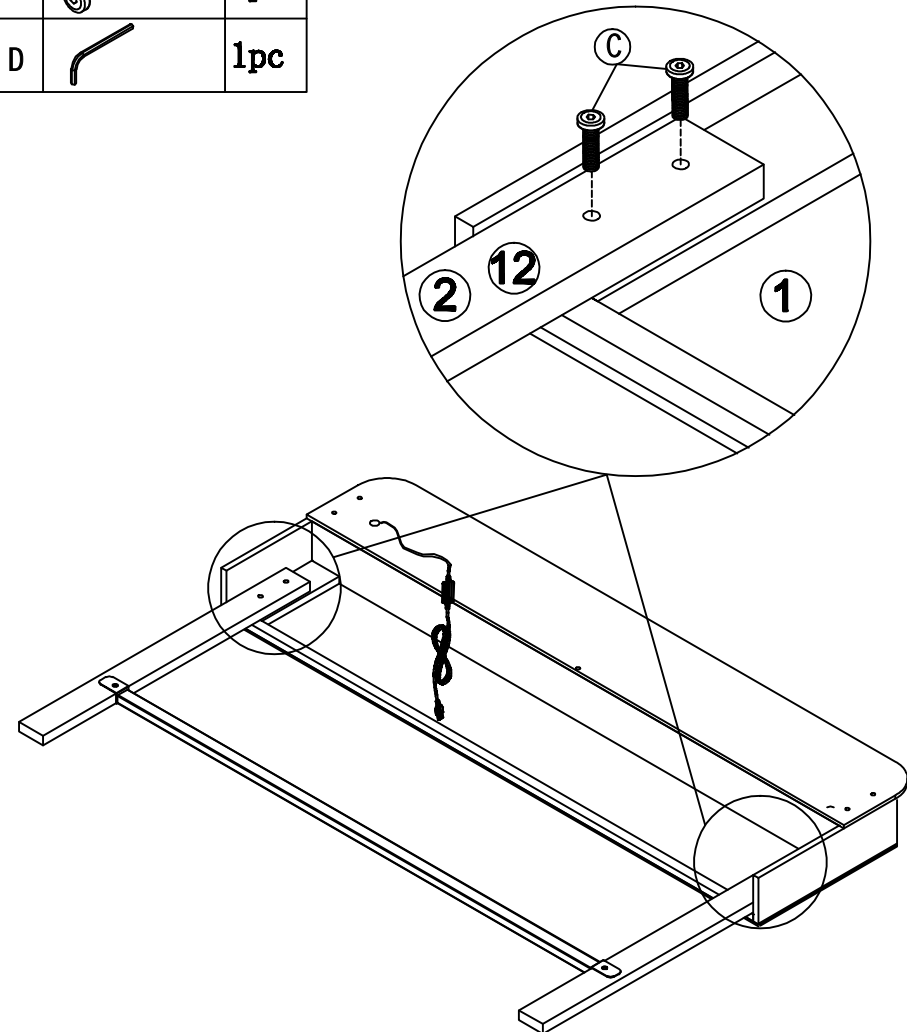


# Assembly Instruction



A	 M8x20	2pcs
D		1pc

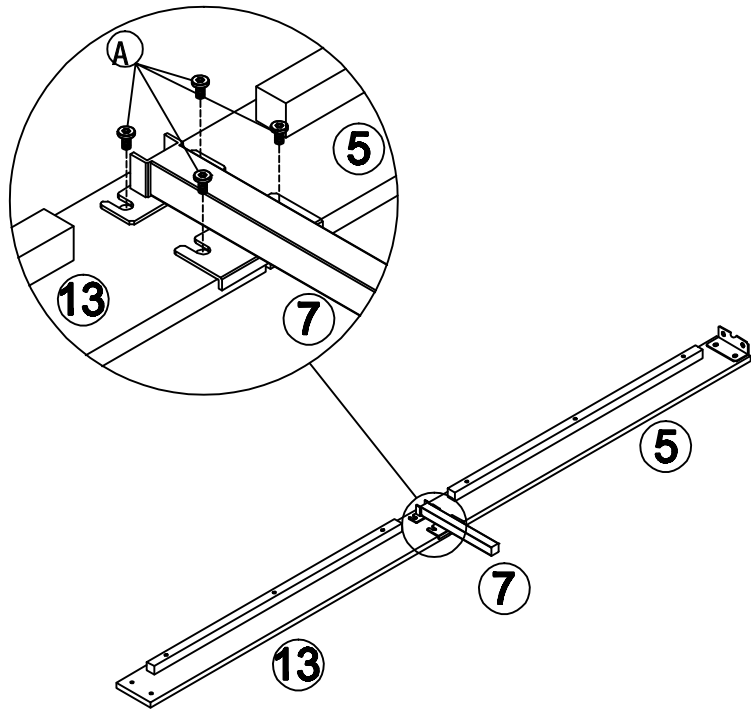




C	 M8x45	4pcs
D		1pc

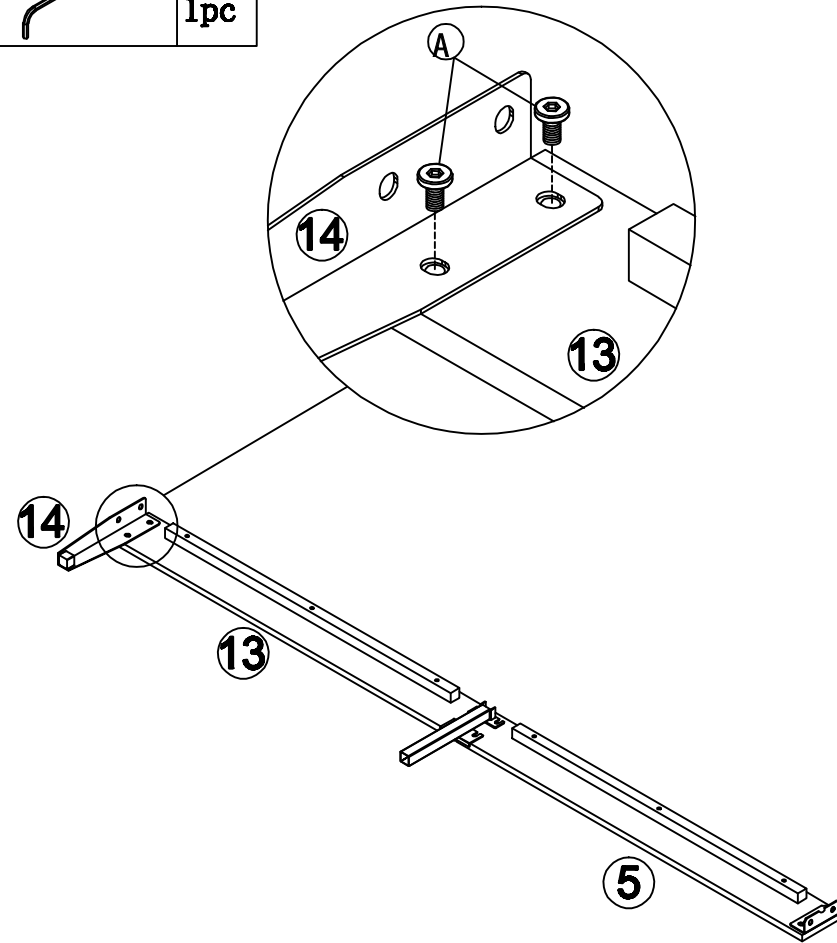


# Assembly Instruction



A		M8x20	4pcs
D			1pc

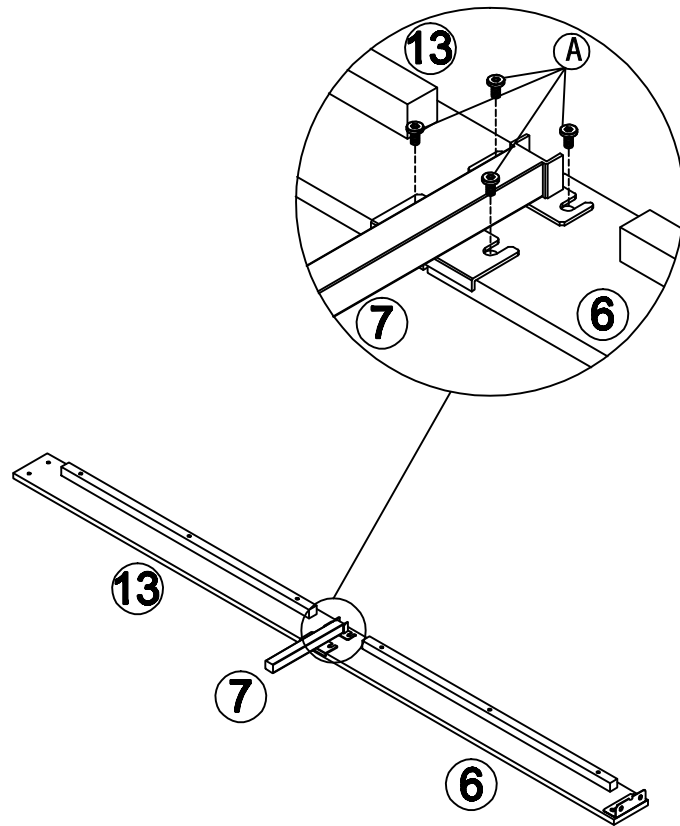




A		M8x20	2pcs
D			1pc

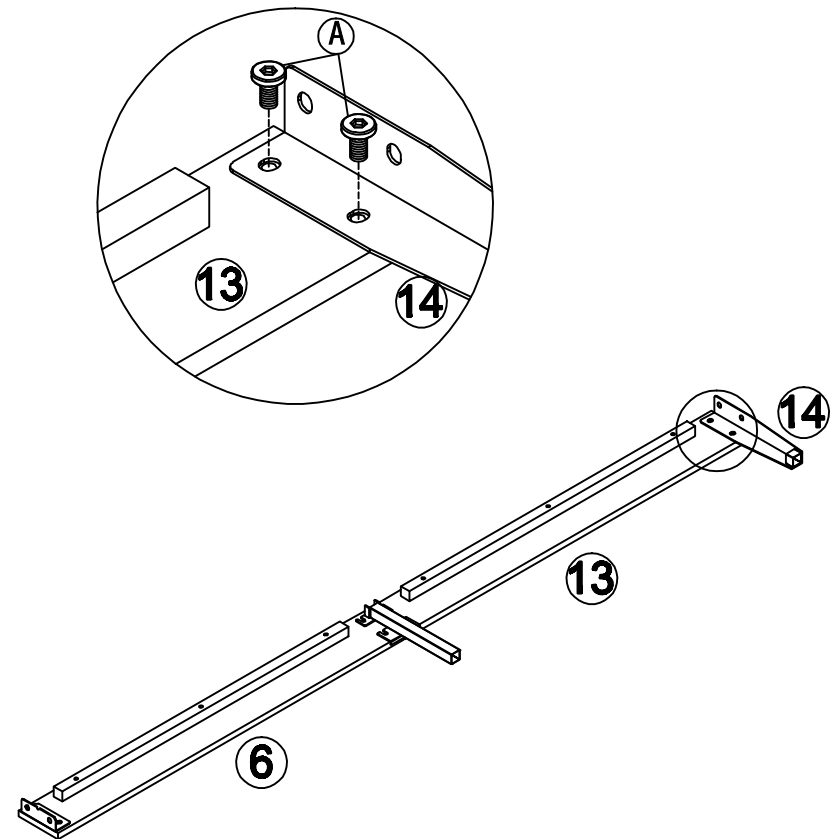


# Assembly Instruction



A		M8x20	4pcs
D			1pc

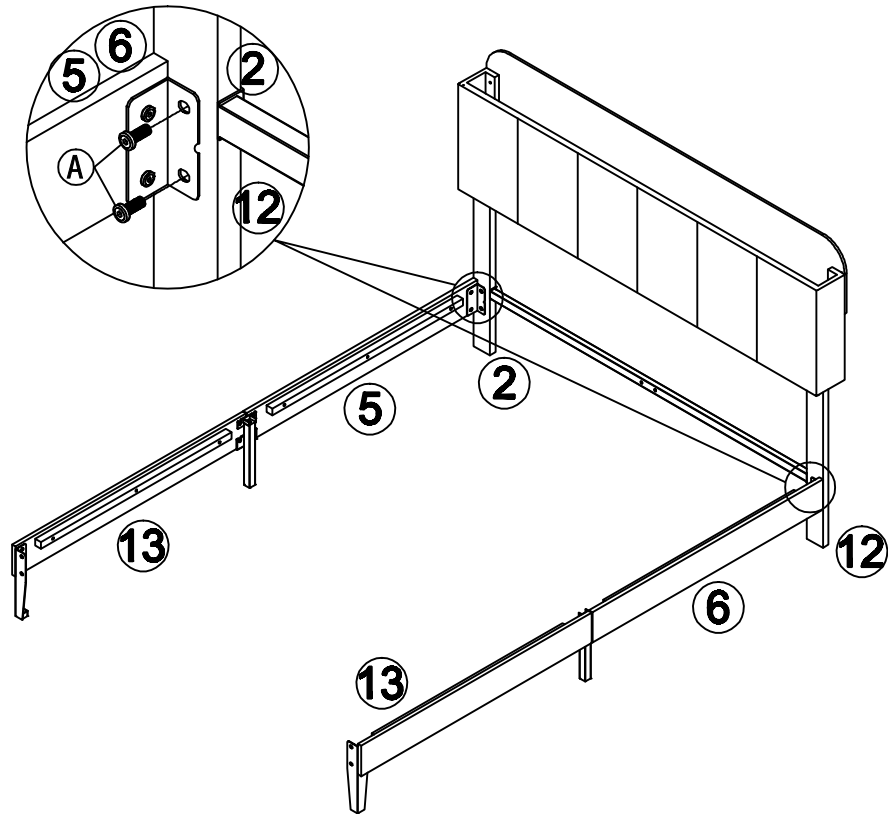




A		M8x20	2pcs
D			1pc

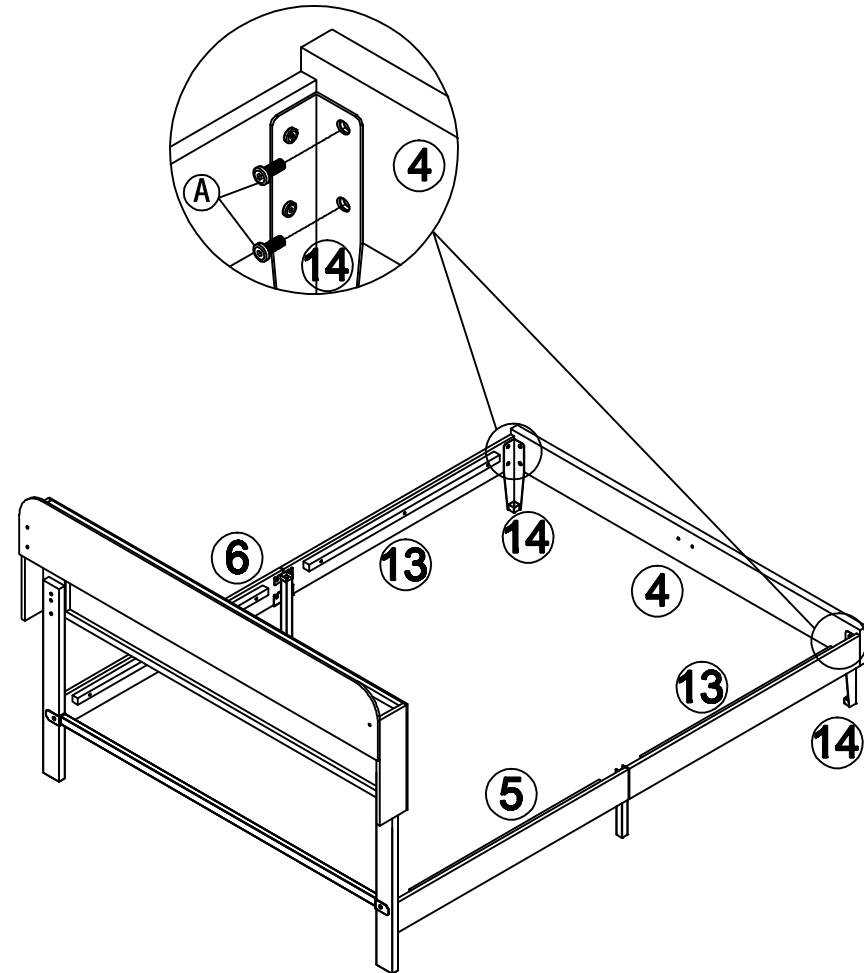


# Assembly Instruction



A	 M8x20	4pcs
D		1pc

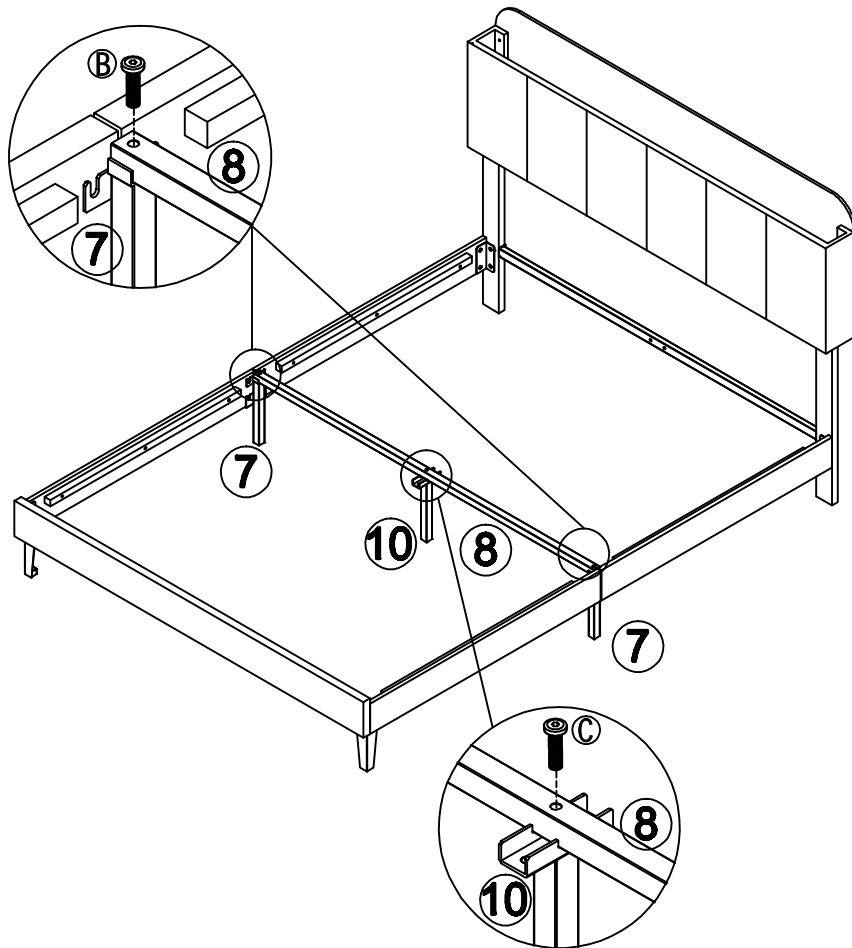




A	 M8x20	4pcs
D		1pc

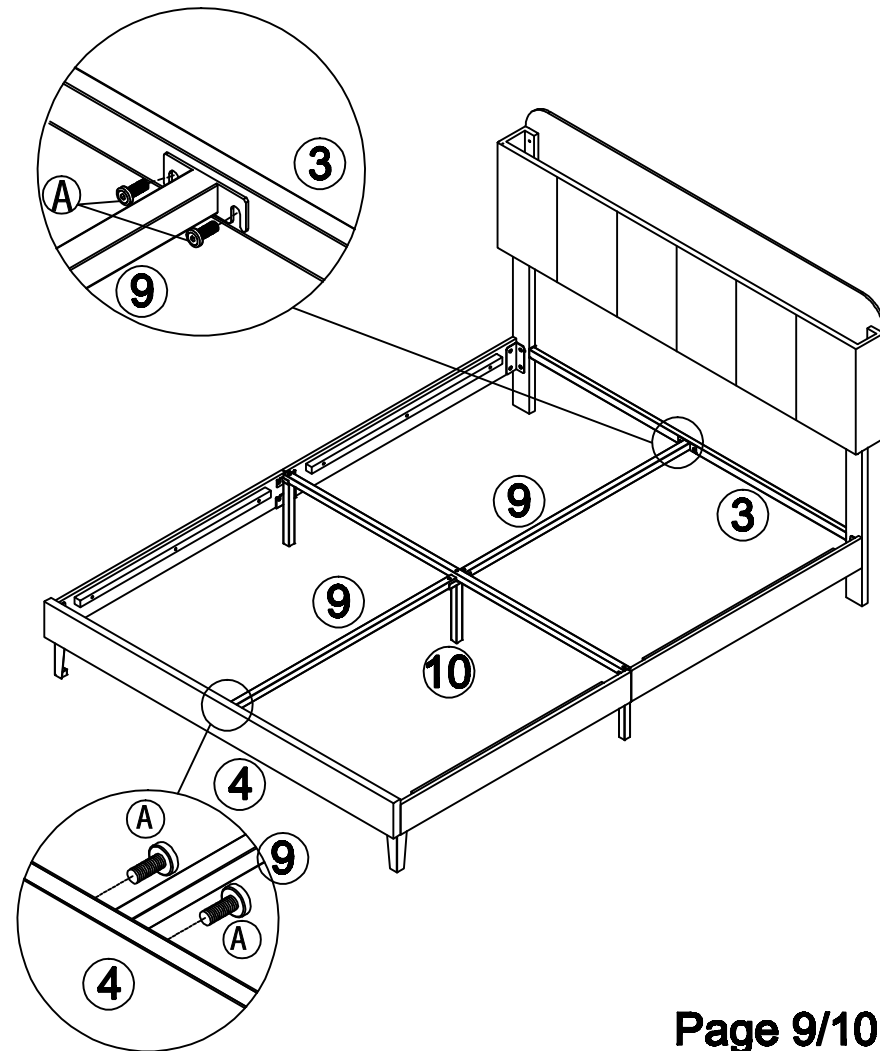


# Assembly Instruction



B		M8x35	2pcs
C		M8x45	1pc
D			1pc



A		M8x20	4pcs
D			1pc



# Assembly Instruction

B	 M8x35	2pcs
D		1pc

