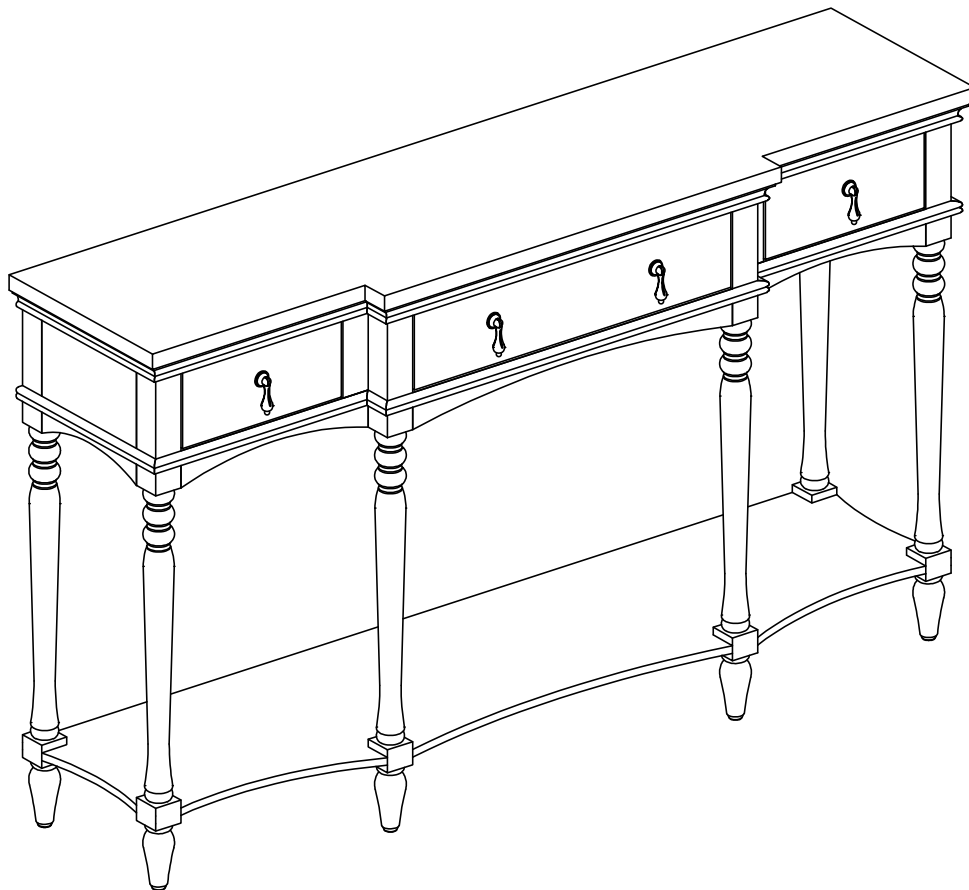


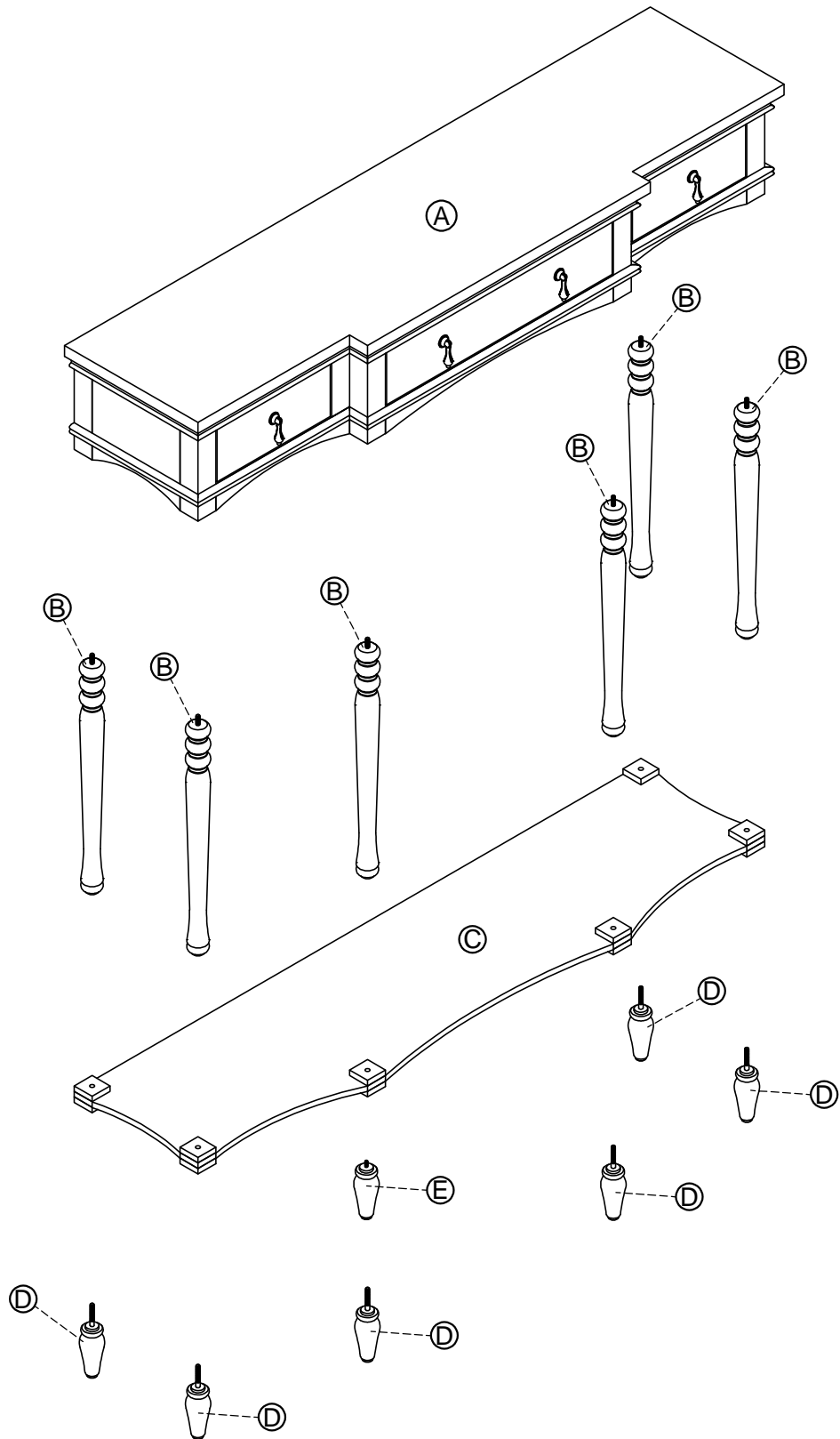
ASSEMBLY INSTRUCTION

ITEM : N759P433566
Console Table 3 Drawers



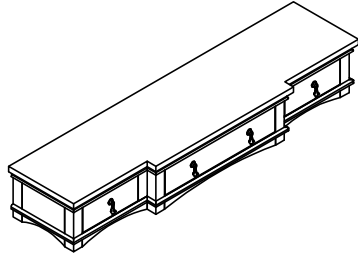
ASSEMBLY INSTRUCTION

ITEM : N759P433566



PACKAGE CONTENTS

(A) x 1



Top Table

(D) x 6



Bottom Legs

(B) x 6



Upper Legs

(E) x 1



Support Leg

(C) x 1

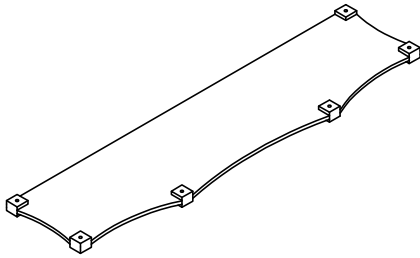
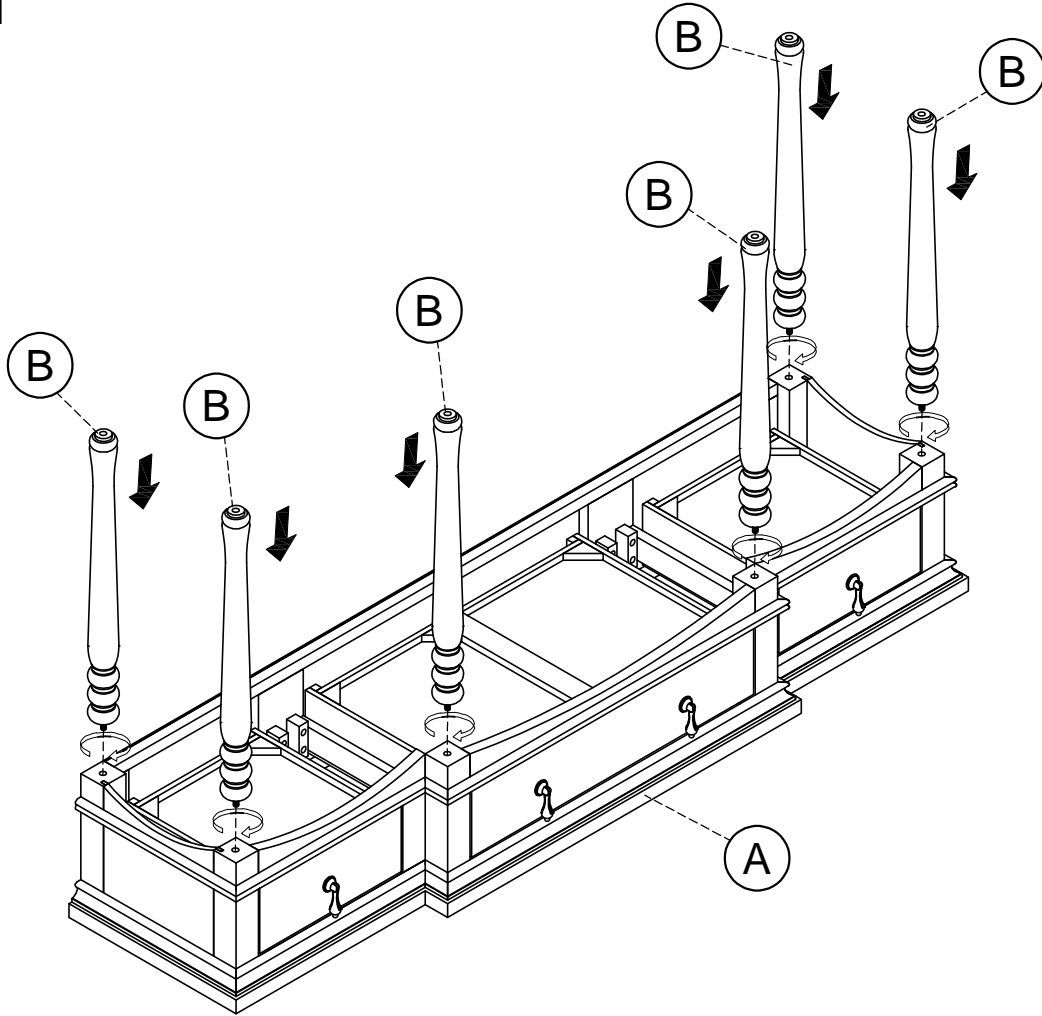
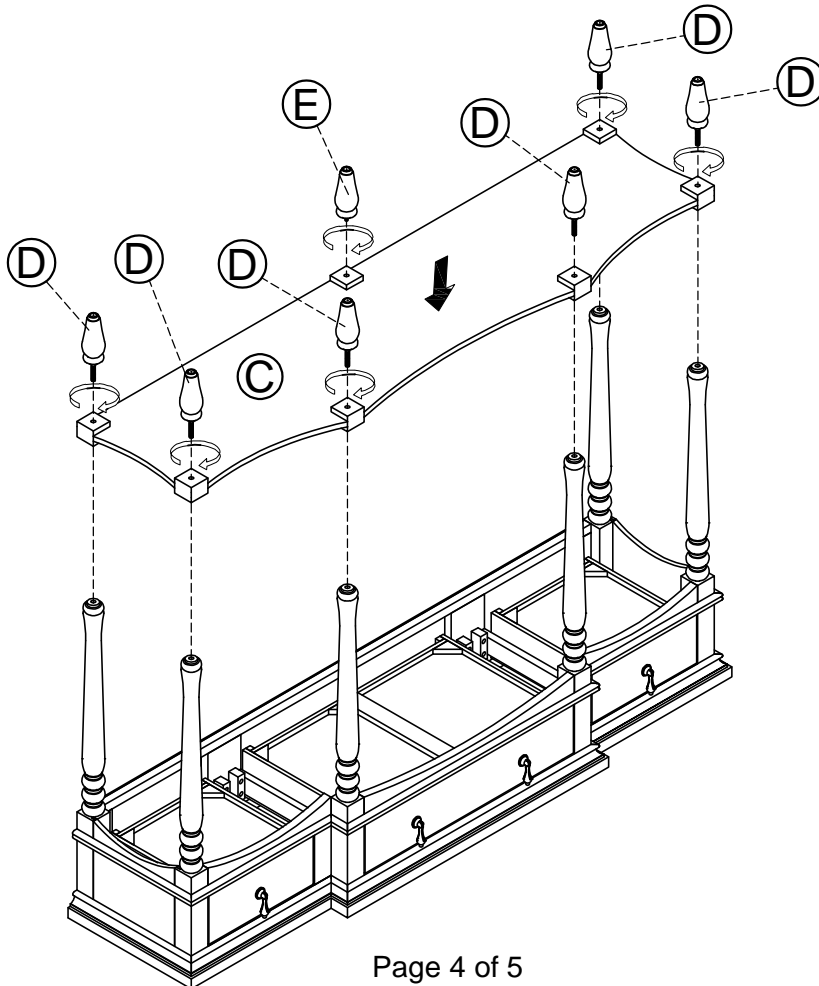


Table Base

STEP 1








STEP 2

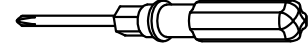




WARNING

Serious or fatal crushing injuries can occur from furniture tip-over.
 If the furniture tip over restraint kit is not in the box, please contact our customer service department in order to obtain another kit before using the furniture.

A1		4	D1		2
B1	 M4 X 20mm	2			
C1	 M4 X 40mm	2	E1		2



NOTE: The screwdriver is not included in the hardware pack.

It can be attached with a wall plug or not, depending on the wall's hardness.

