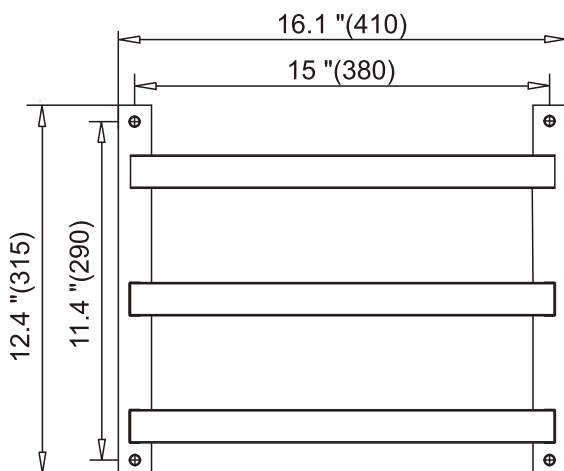
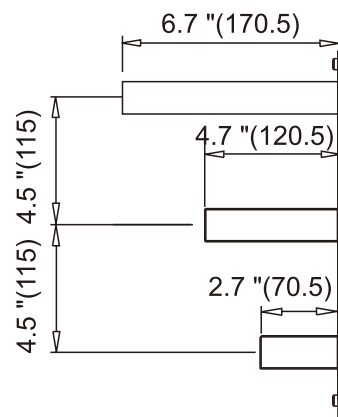


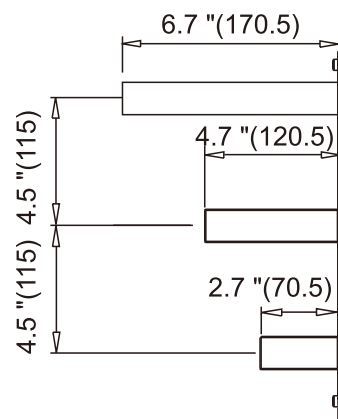
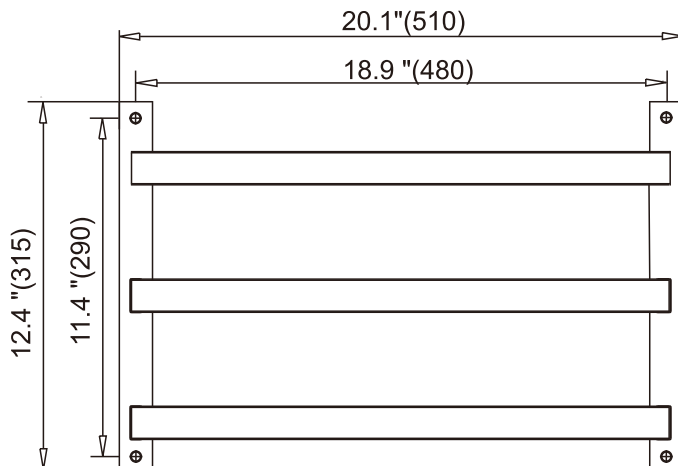
Towel rack
410283-16



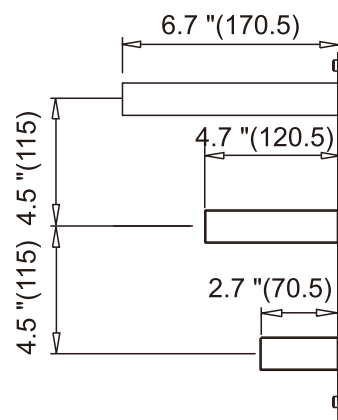
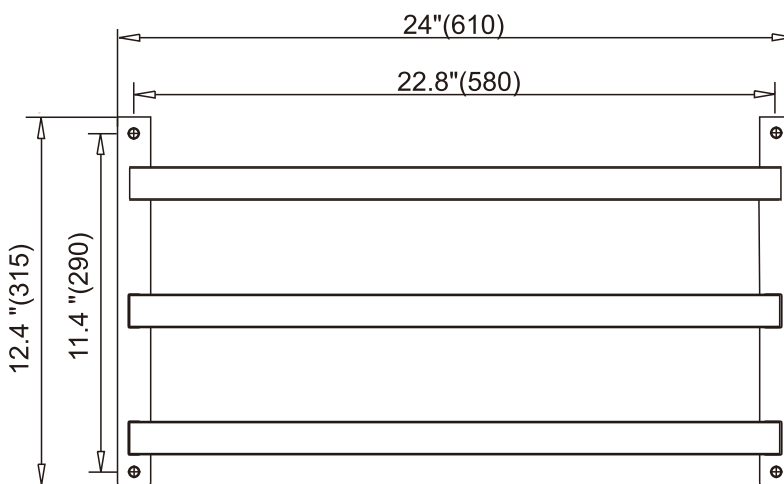
unit:inch(mm)



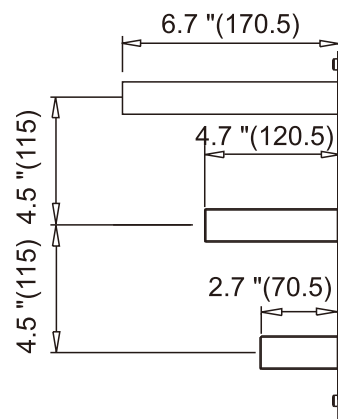
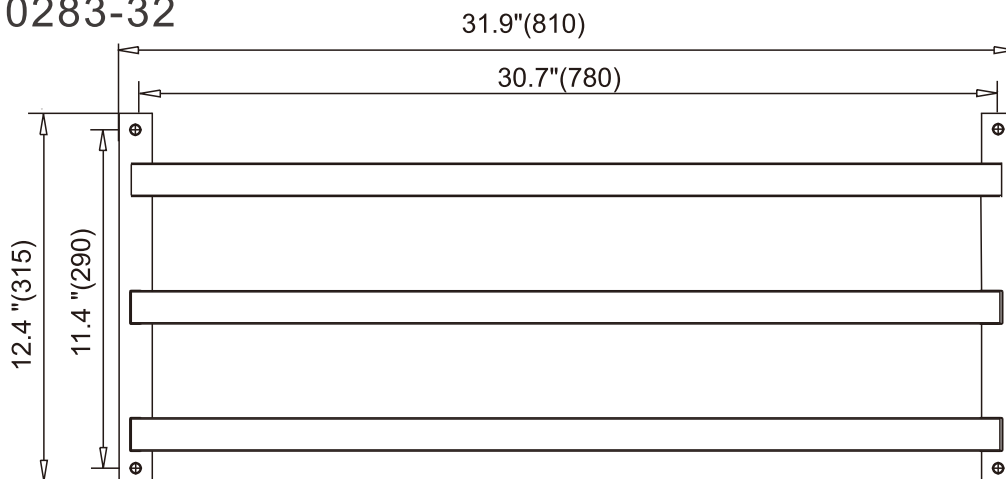
Towel rack
410283-20

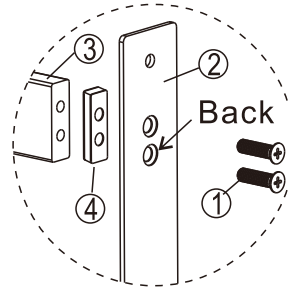
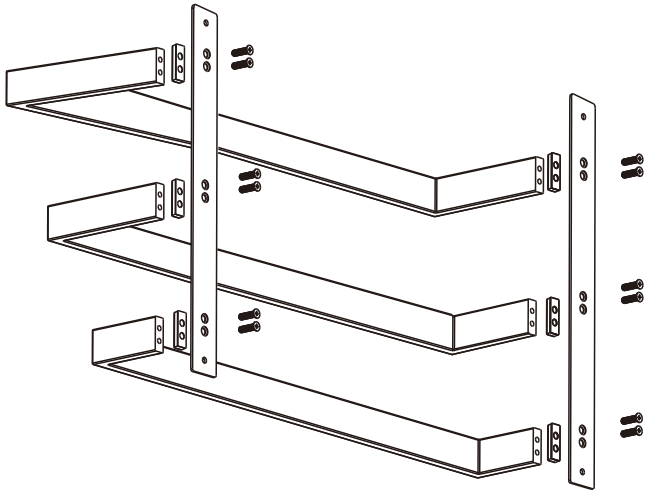
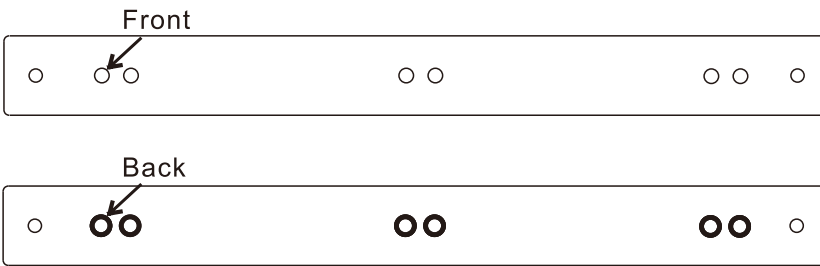


Towel rack
410283-24

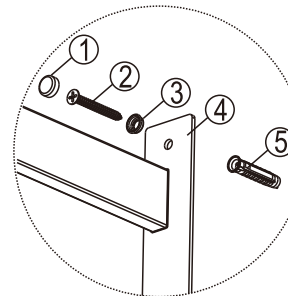
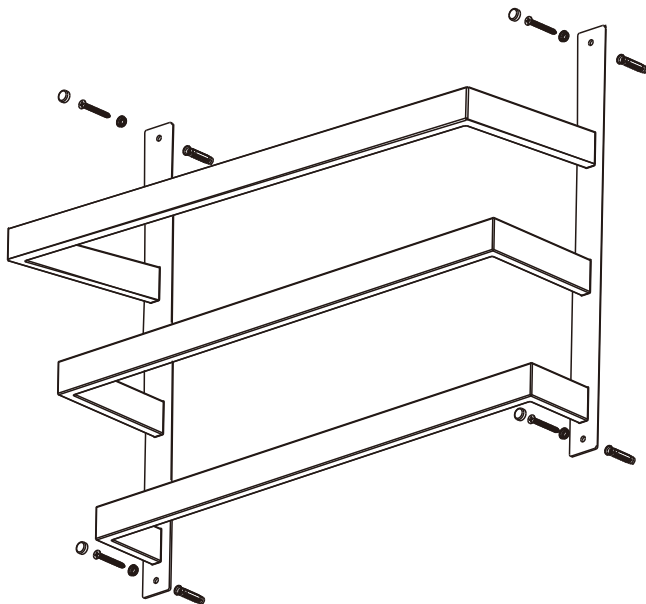


Towel rack
410283-32





Make sure to install the pad (4) on the towel bar base (3)
Put the screw (1) through the plate (2) from back side
and the pad (4) ,
tighten the plate (2) and towel bar (3)
with the screw (1).



Select a location on the vertical wall to
install the bracket.
Mark anchor mounting hole locations on
wall as shown , ensure four screw holes
are horizontal.
Drill holes in the finished wall as required.

1. Press the anchors (5) into the holes.
2. Put the self-tapping screw (2) through
the button seat (3),
3. secure the bracket (4) with the
self-tapping screws (2).
4. Buckle up the button (1)

NOTE:

These products should be located and mounted to a wall.
While it is possible to mount them to any surface, a stud or concrete mounted product will yield the best results.

DANGER:(Risk of personal injury)

These products are not designed or intended for use as a grab bar or support bar. Do not install any of these products in any area where they are likely to be used inadvertently as a grab bar or support bar.

Cleaning Instructions:

To preserve the fine finish of this product, clean only with a soft damp cloth. Dry well. Do not use commercial or abrasive cleaners.