

# Assembly instruction

Dear Customer,

We design and produce our products for people to love and have fun with them as we do.

The product you bought was subjected to all sorts of tests and control before sending out to you.

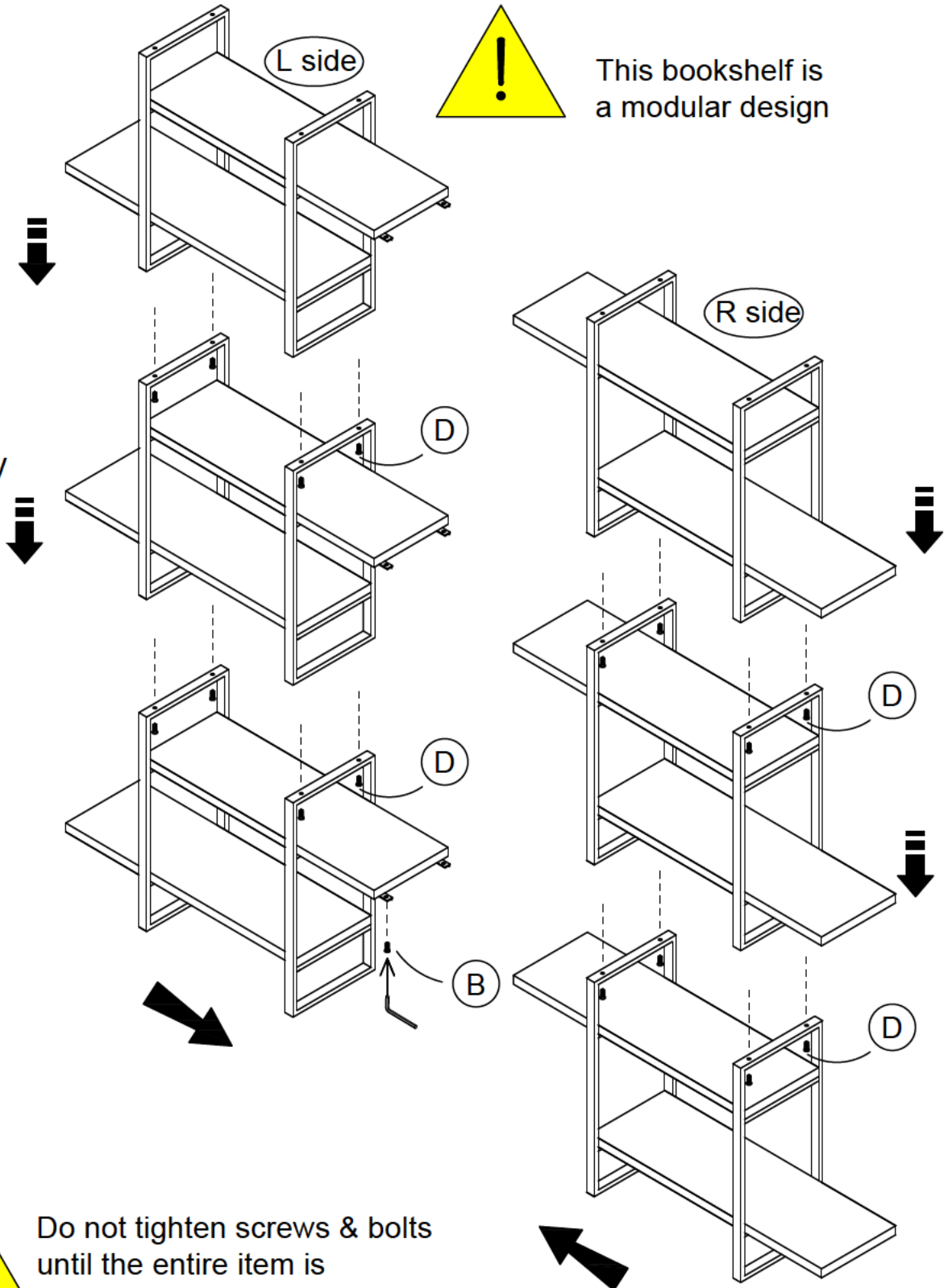
Although all the products are produced and packed carefully, sometimes happen that some component is damaged during the transportation. In such a case please check the missing or damaged part and do not hesitate to contact us

## Step 1



This bookshelf is a modular design

stack 3 shelves together, lock by 4 screws



Do not tighten screws & bolts until the entire item is completely assembled.