





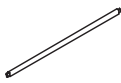


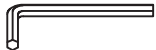

## CARE AND MAINTENANCE

Store outdoor furniture indoors or cover well when it is not in use. Dust regularly with small brush or vacuum. Spills should be taken care of immediately before they harden or stain with a slightly dampened sponge.

## NOTICE

Please make sure that you have all parts indicated before you begin assembly of this item.

### Part List and Hardware List

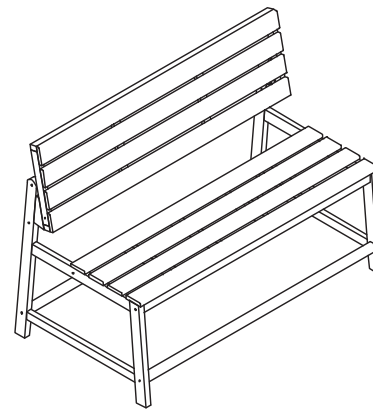
PIECE	DESCRIPTION	PICTURE	QUANTITY
<b>A</b>	Seat		<b>1x</b>
<b>B</b>	Right side		<b>1x</b>
<b>C</b>	Left side		<b>1x</b>
<b>D</b>	Back		<b>1x</b>
<b>E</b>	Joint bar		<b>2x</b>
<b>F1</b>	Allen screw	 M6x70	<b>8x</b>
<b>F2</b>	Allen bolt	 M6x35	<b>4x</b>
<b>F3</b>	Allen Key		<b>1x</b>
<b>F4</b>	Wrench		<b>1x</b>

Product Dimension: 45.28"W x 24.8"D x 34.61"H

Weight capacity : 600 lbs

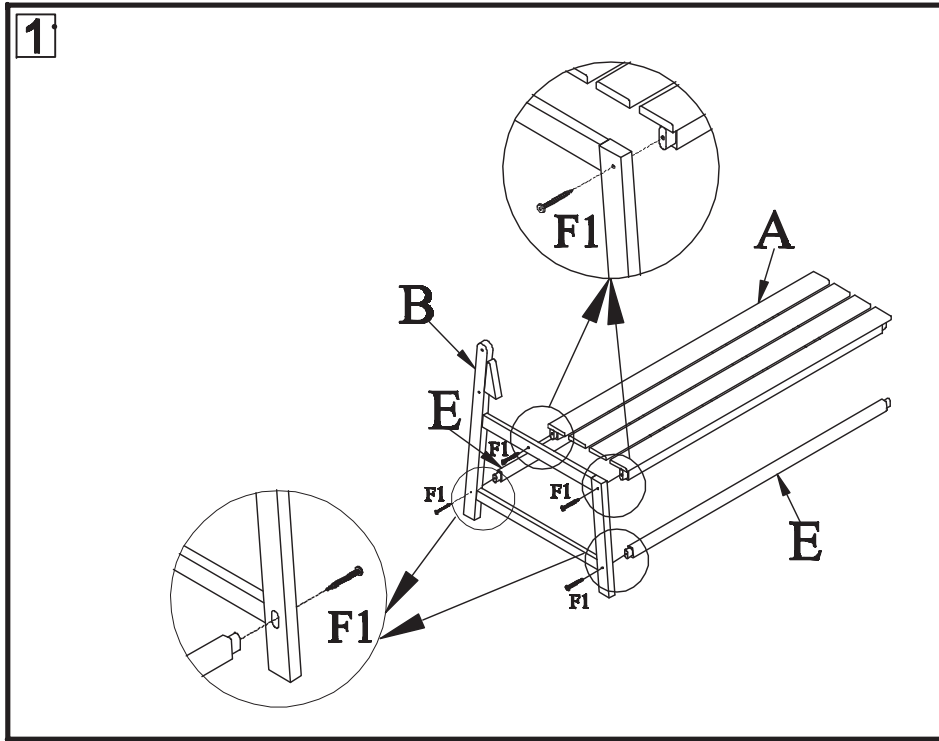
Warning : Do not stand on the bench

Warning : Do not torque bolts / screws

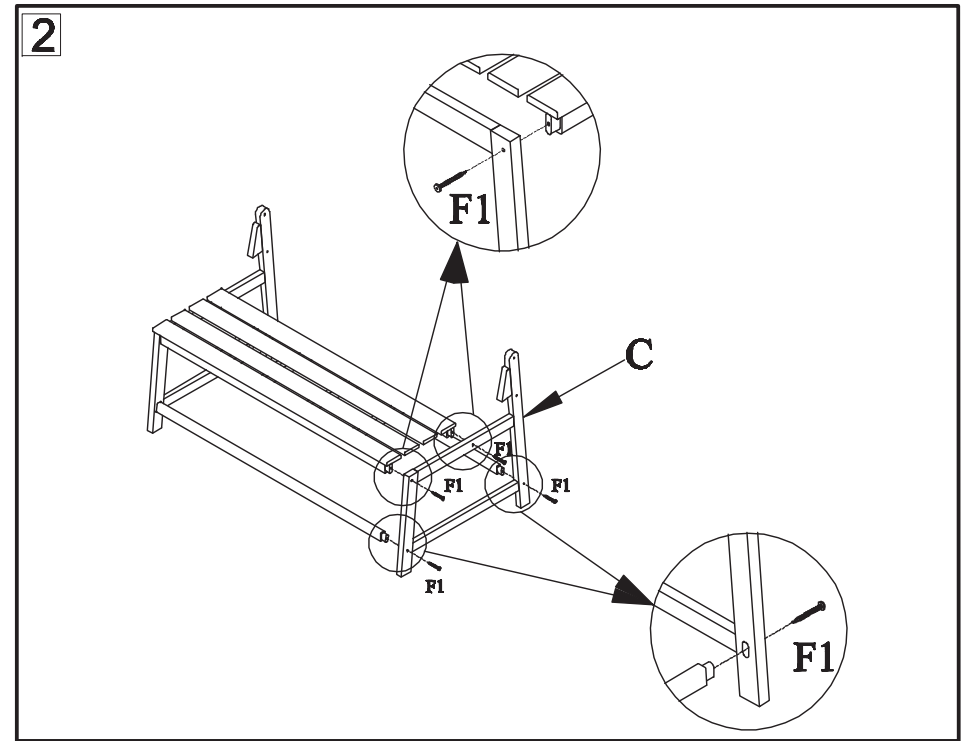


# PREPARATION

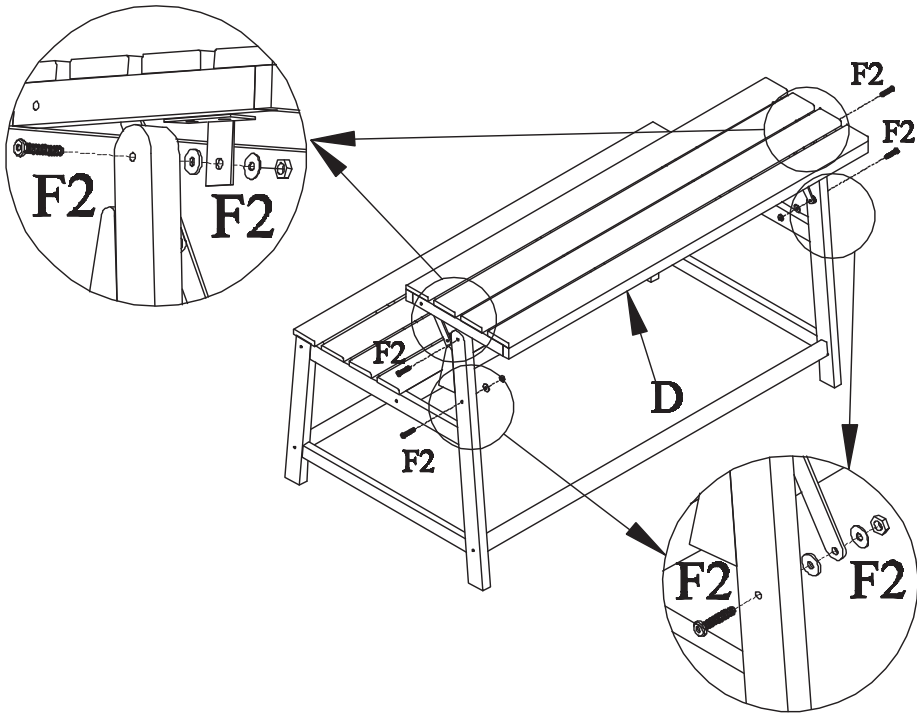
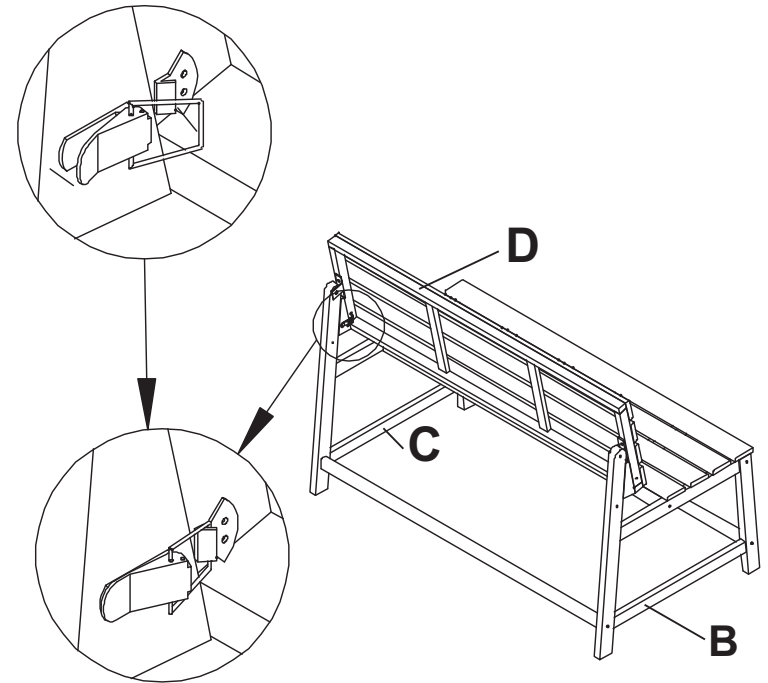
Before beginning the assembly of the product, make sure all parts are present. Compare the parts with the package contents list and hardware contents list. If any parts are missing or damaged, do not attempt to assemble the product. Tool required for assembly (included): Allen Key and Wrench.



Step 1: attach the right side (B) to the seat (A) and the joint bar (E) as shown on the picture. Then use the Allen screw (F1) to tighten all points by using the Allen Key (F3).



Step 2: repeat same with the left side (C) as shown on the picture.

**3****4**

Step 3: attach the back (D) to the side as shown on the picture use the Allen bolt (F2) . Tighten by the Allen Key (F3) and wrench (F4) as shown on the picture. Make sure to put correct position hardware each position. This step show this bench can use the back (D) same table .

Step 4: When turning the back side (D),as shown on the picture, make sure to lock the back (D) on the left side (C).