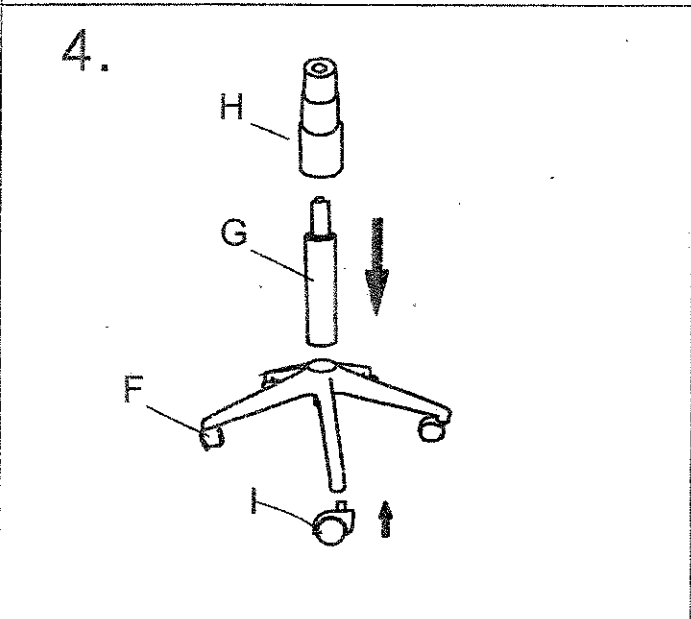
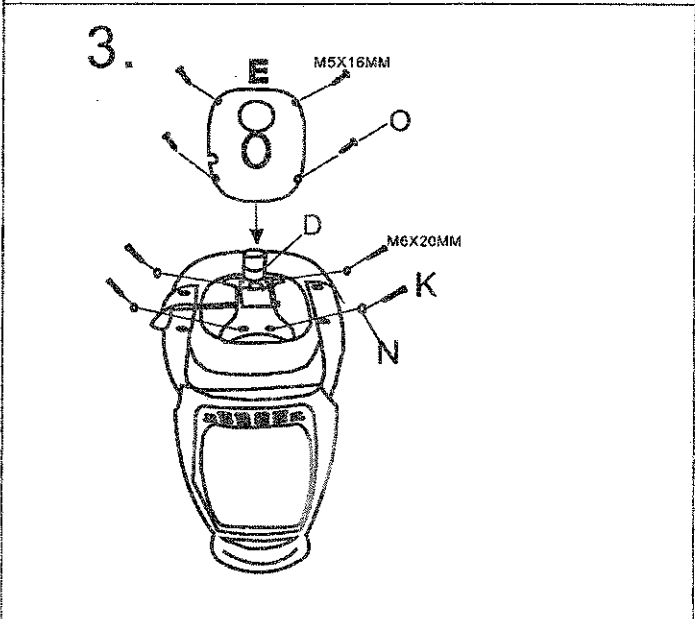
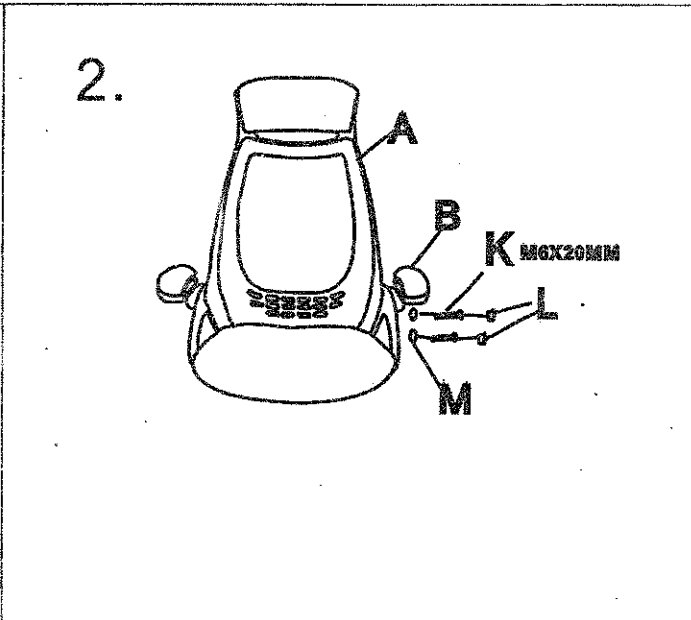
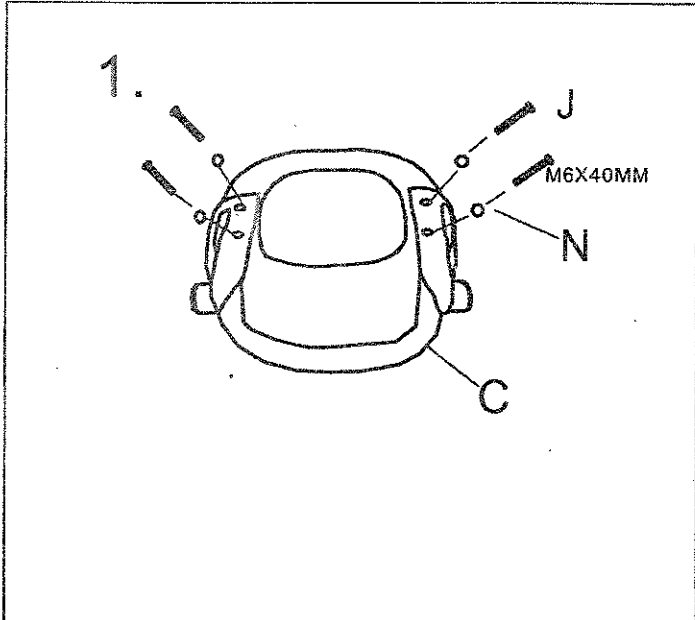



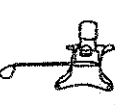



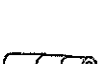









# OFFICE CHAIR



<b>A</b>  x1	<b>B</b>  x2	<b>C</b>  x1	<b>D</b>  x1
<b>E</b>  x1	<b>F</b>  x1	<b>G</b>  x1	<b>H</b>  x1
<b>I</b>  x2	<b>J</b>  M6X40MM x4	<b>K</b>  M6X20MM x2	<b>L</b>  x4
<b>M</b>  M6X14MM x4	<b>N</b>  M6X18MM x2	<b>O</b>  M5X16MM x4	

