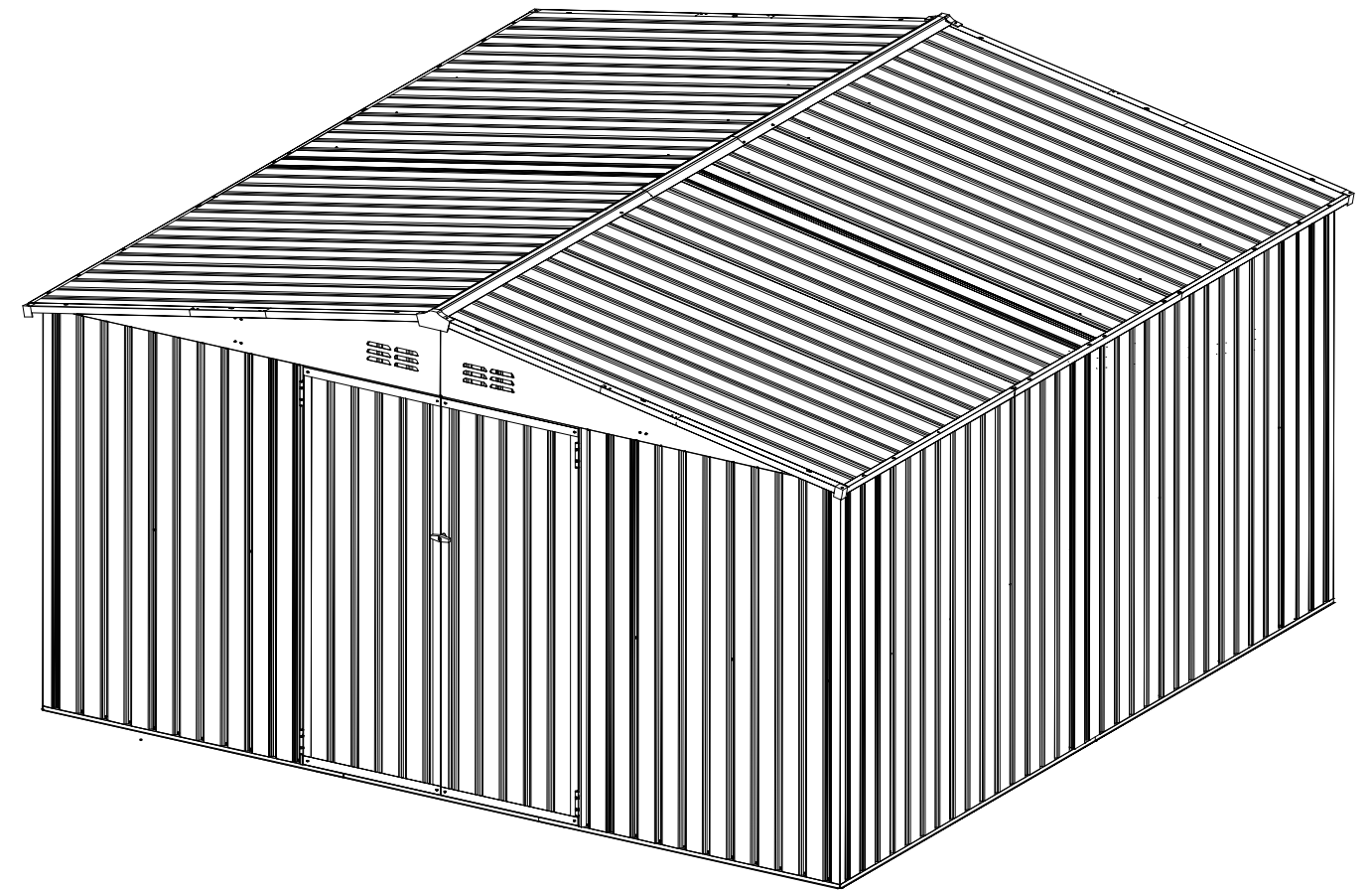
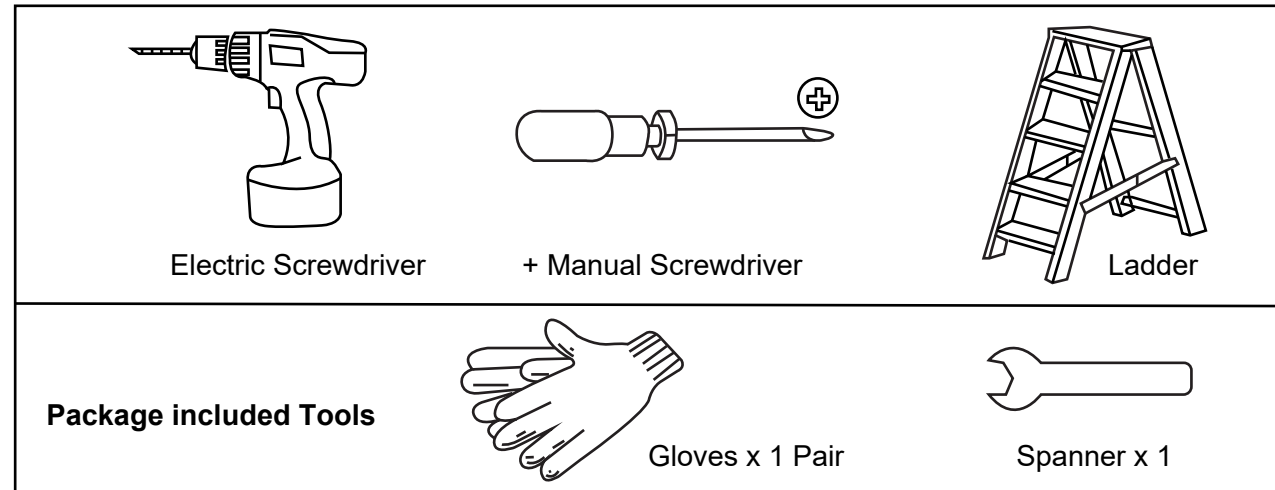


# 12\*12 Storage Shed Installation\_SS16332



The product comes in three packages.  
Please install after receiving all packages.

**Please prepare below tools before installation.(Not Included)**



**ATTENTION:**  
Please read this instruction carefully before installation and follow it strictly during installation. Ensure that there are no problems later due to installation errors.

**Installation Notes**

Please check the quantity of all parts before installation (Please refer to the Parts Lists) and the appearance of the products. Please make sure the product is correct before installation. If there is any problem, please contact us directly.

Make sure the colored panels are facing outwards and all the holes match. The panels are textured, please install the panels in the order specified in the instructions. All lines and holes must be accurately matched to make the storage shed more stable. Please ensure that all screws are tightened to prevent the product from falling apart.

There is a protective film on the surface to protect the product, please tear it off after installation to get the final presentation. If you do not damage the film during installation, it can also remain on the product to protect the product.

Please place the product on a flat ground to prevent leaning and collapse. If the ground is uneven, the door may can't be closed.

**! Safety Precautions**



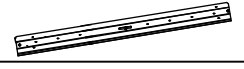


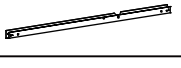

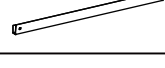

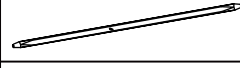
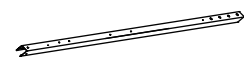

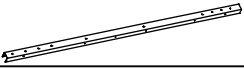

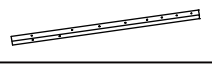
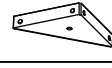


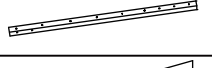
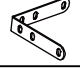
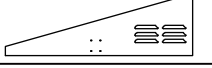
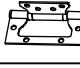
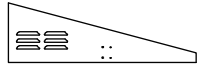

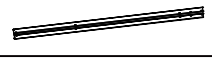

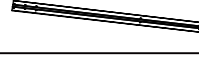

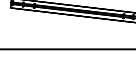




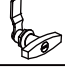



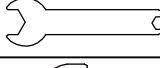

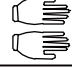

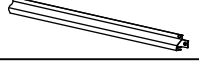
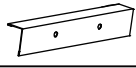
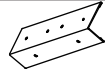
We recommend two adults to complete the installation. Two adults installed together will make the installation process easier and safer.  
The gloves must be carried to prevent hand cuts during installation.  
Take care when using power tools near water the use of a residual current device(RCD) is advised.  
Please use the electric driver carefully during screwing to prevent the screw from slipping and hurting your hand.(We recommend that beginners use a manual screwdriver for installation.)  
Be careful not to fall when installing the roof. Please steady the ladder and make sure the product placed on a flat ground.

**PLEASE KEEP THIS INSTRUCTION FOR FUTURE REFERENCE.**

Part List A		
PART	NO.	QTY.
	W5-K	2
	W5	24

Part List B		
PART	NO.	QTY.
	K1012-7L	2
	K1012-7M	12
	K1212-7MM	2
	K1012-7R	2
	W3	4
	W5-C	4
	W2-HL	1
	W2-HR	1

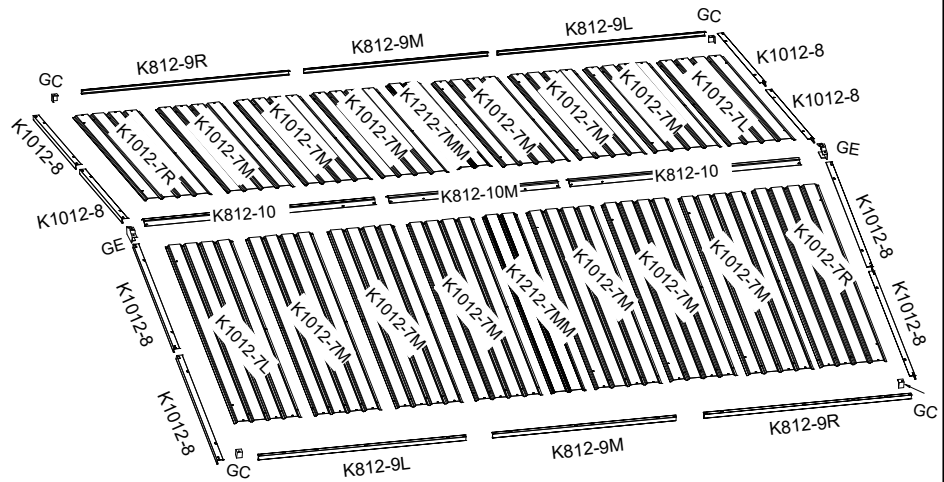
# Part List

PART	NO.	QTY.	PART	NO.	QTY.
	K1012-1L	2		DA	2
	K1012-1M	2		DLA	1
	K1012-1R	2		DRA	1
	K810-2	2		DDA	4
	K812-2R	2		DBA	4
	K1012-3L	2		GC	4
	K1012-3M	2		GE	2
	K1012-3R	2		T-F	4
	K810-4	2		DC	2
	K812-4R	2		C2	4
	K1012-5L	2		DH	4
	K1012-5R	2		F1	578
	K812-6L	6		F2	105
	K812-6R	6		F3	32
	K812-6M	6		V2	216
	K1012-8	8		F4	4
	K812-9L	2		GL	1
	K812-9M	2		SL	98
	K812-9R	2		M20	1
	K812-10	2		ST	2
	K812-10M	1			
	UA	2			
	C3	4			
	K1012-11	8			

# Part List

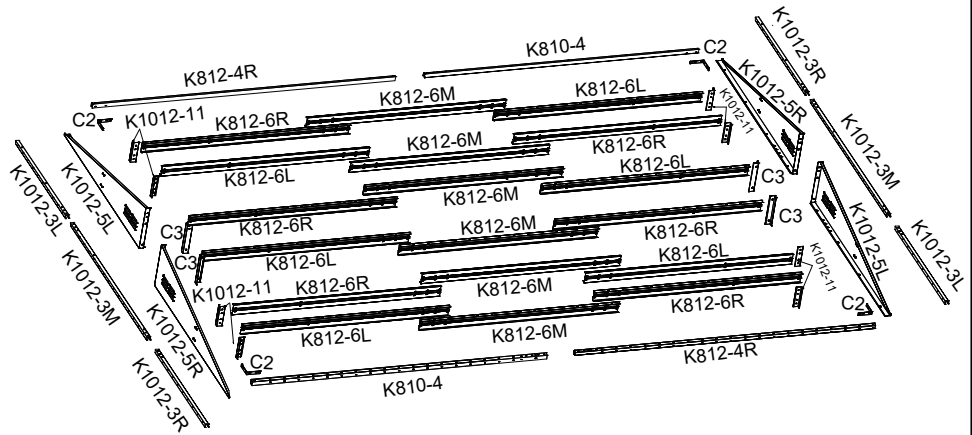
## Shed top panels

NO.	QTY.
K812-9L	2
K812-9M	2
K812-9R	2
K812-10	2
K812-10M	1
K1012-7L	2
K1012-7M	12
K1012-7R	2
K1012-8	8
K1212-7MM	2
GC	4
GE	2

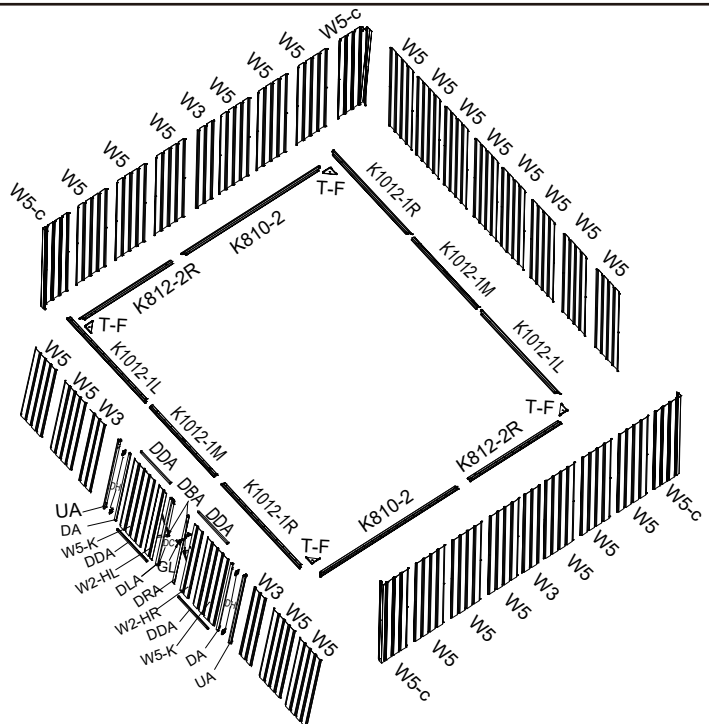


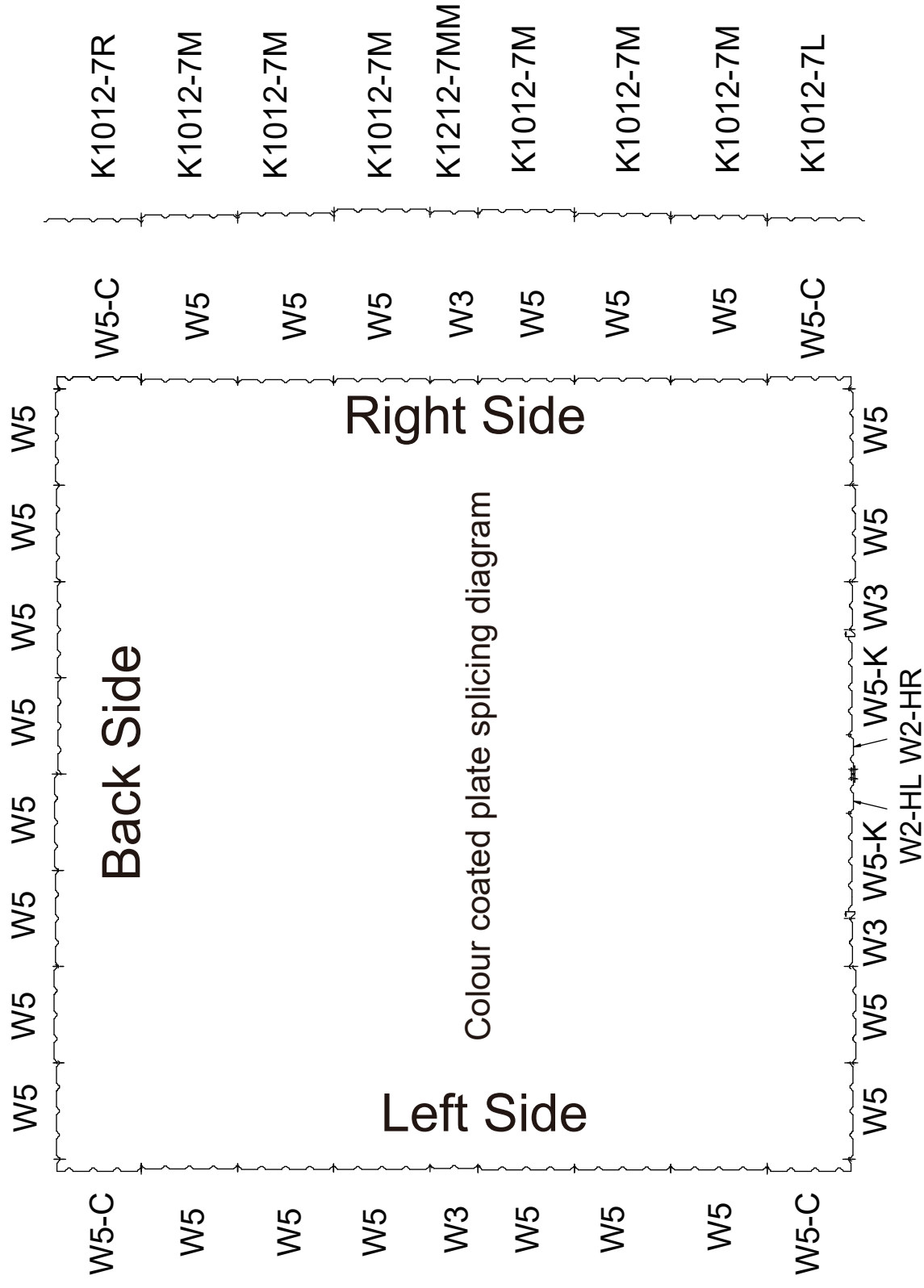
## Shed top frame

NO.	QTY.
K810-4	2
K812-4R	2
K812-6L	6
K812-6M	6
K812-6R	6
K1012-3L	2
K1012-3M	2
K1012-3R	2
K1012-5L	2
K1012-5R	2
K1012-11	8
C2	4
C3	4






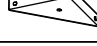



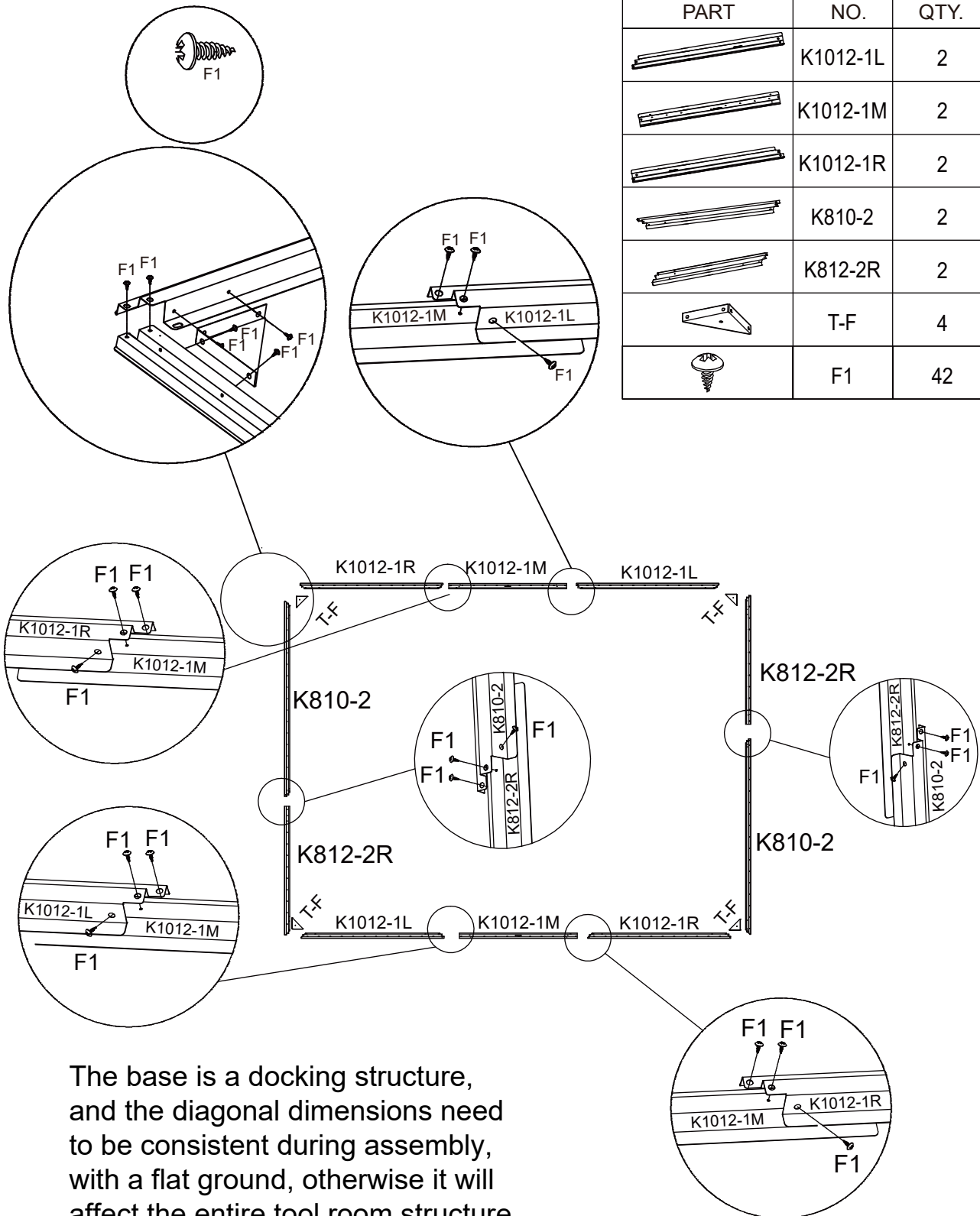
Door		Shed base	
NO.	QTY.	NO.	QTY.
UA	2	T-F	4
DA	2	K810-2	2
DH	4	K812-2R	2
DDA	4	K1012-1L	2
W5-K	2	K1012-1M	2
DBA	4	K1012-1R	2
W2-HL	1	<b>Shed side</b>	
DLA	1	NO.	QTY.
DRA	1	W5	24
W2-HR	1	W5-C	4
DC	2	W3	4
GL	1		






# Shed Base Frame Assemble

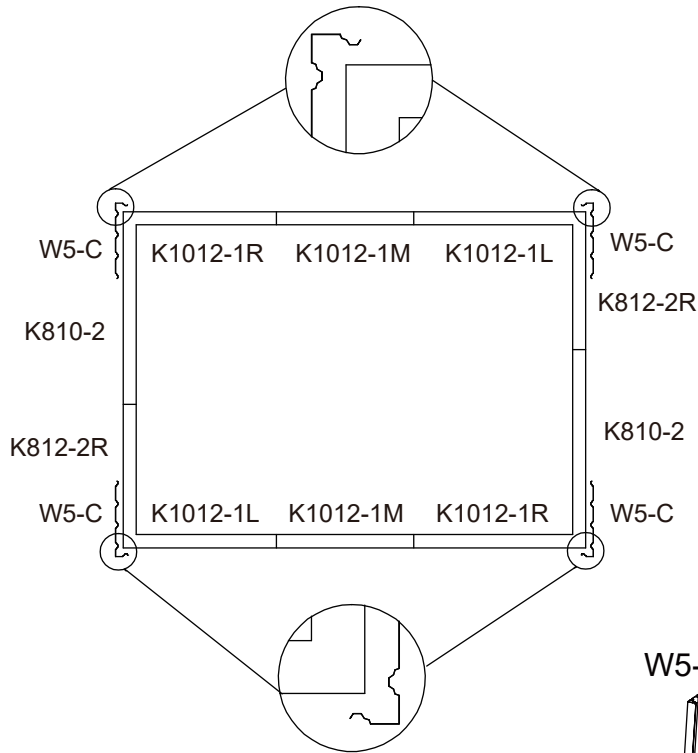
PART	NO.	QTY.
	K1012-1L	2
	K1012-1M	2
	K1012-1R	2
	K810-2	2
	K812-2R	2
	T-F	4
	F1	42



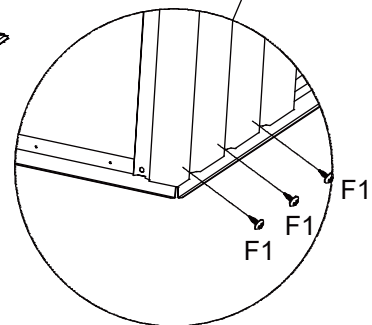
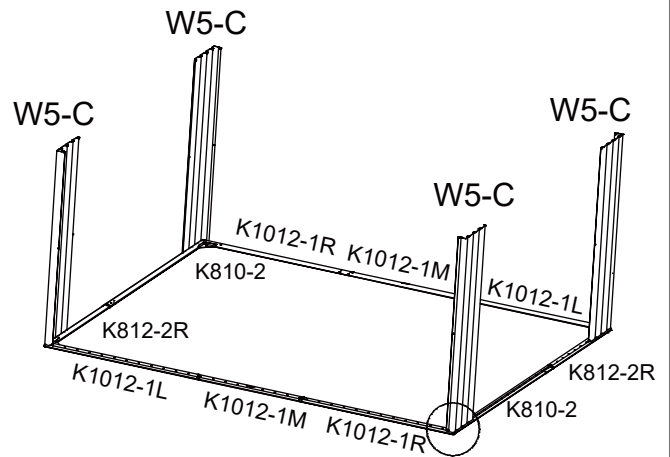
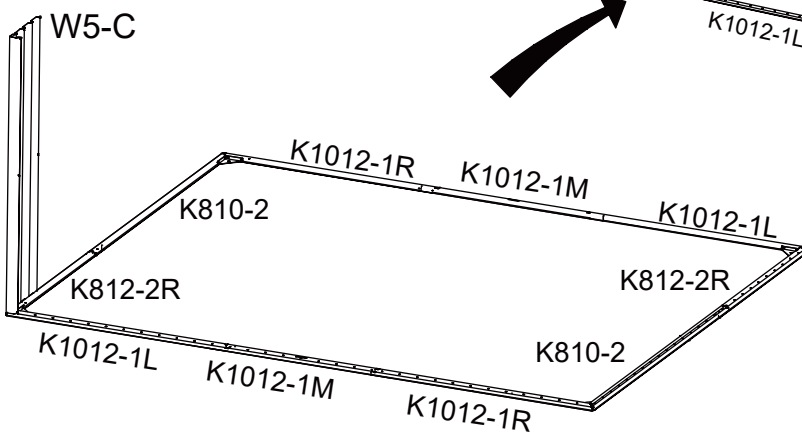
The base is a docking structure, and the diagonal dimensions need to be consistent during assembly, with a flat ground, otherwise it will affect the entire tool room structure.

 **Note:** The larger hole is always covered over the small hole.

# Shed Side Panels Assemble



PART	NO.	QTY.
	W5-C	4
	F1	12

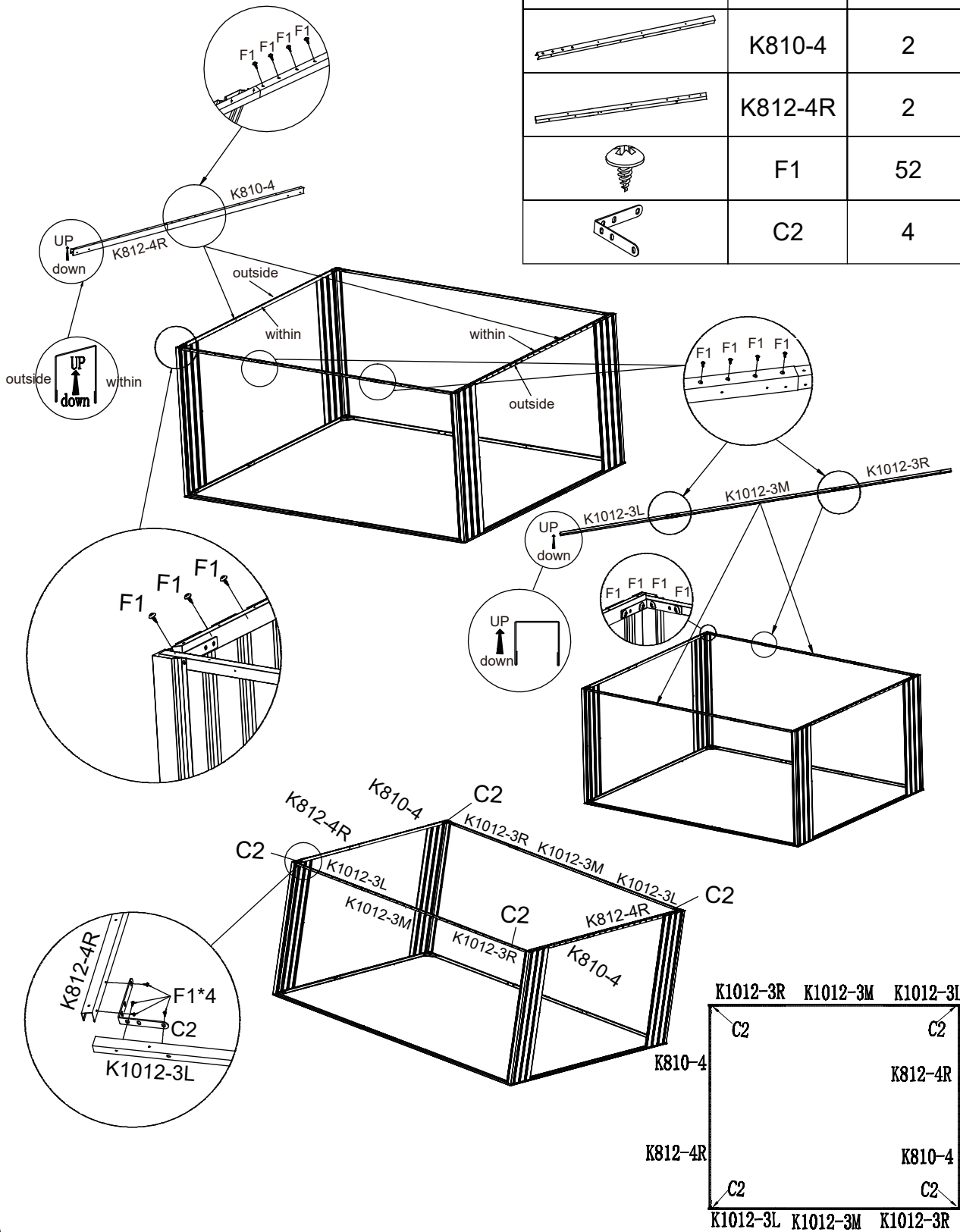


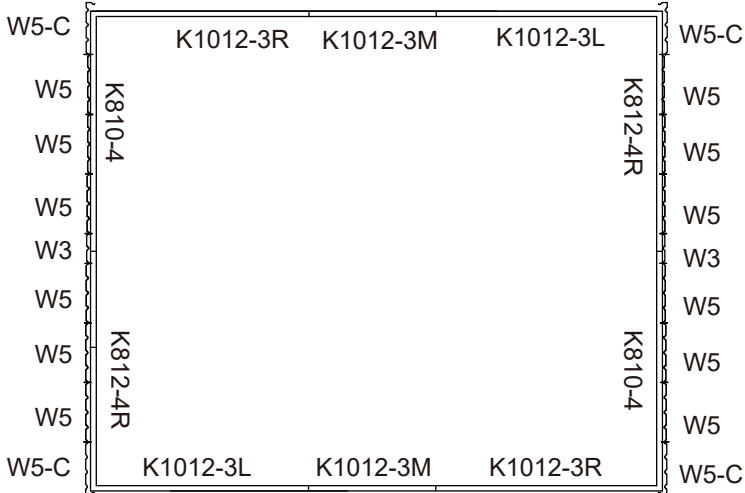
Please do not install the screw here.  
They will be installed after the other plates are installed.



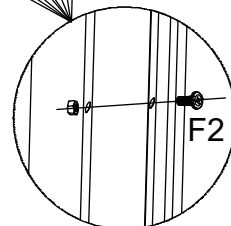
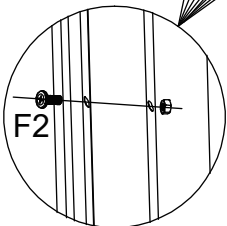
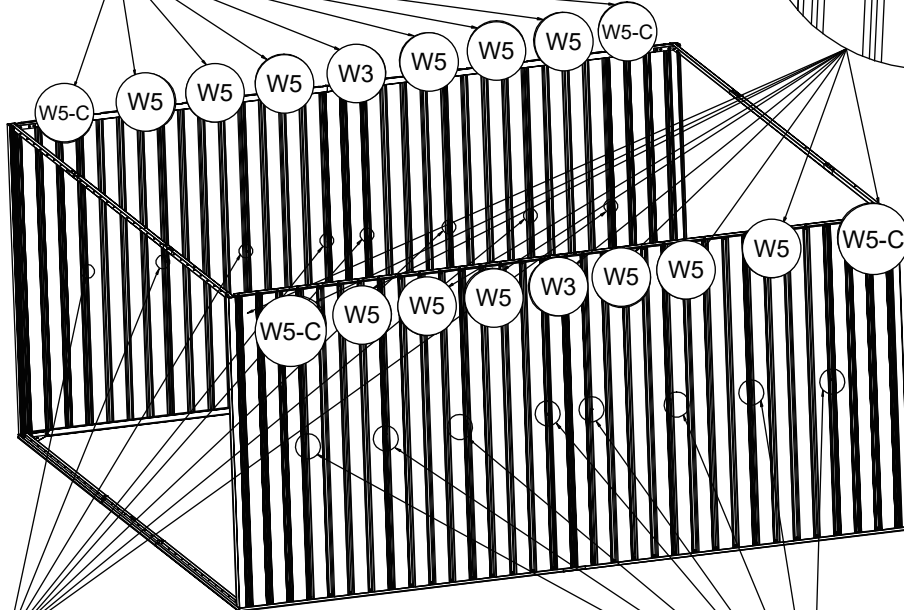
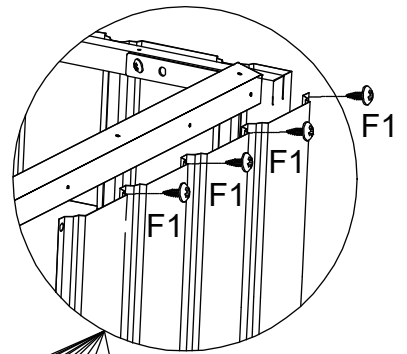
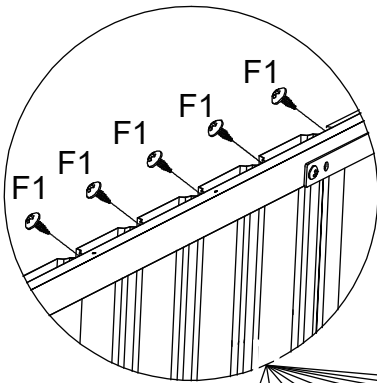
**Note:** Two Adults Are Required.  
Please pay attention to the  
orientation of accessories  
during installation.

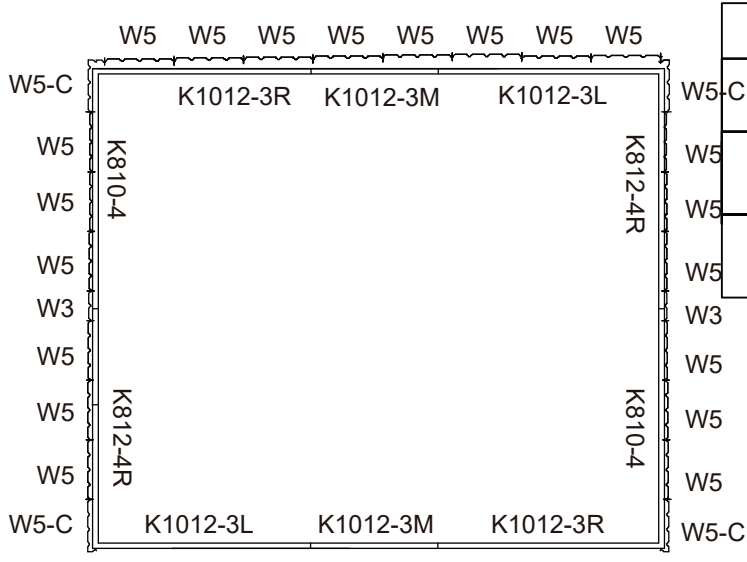
PART	NO.	QTY.
	K1012-3L	2
	K1012-3R	2
	K1012-3M	2
	K810-4	2
	K812-4R	2
	F1	52
	C2	4






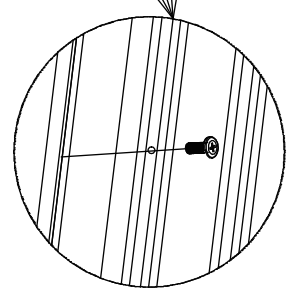
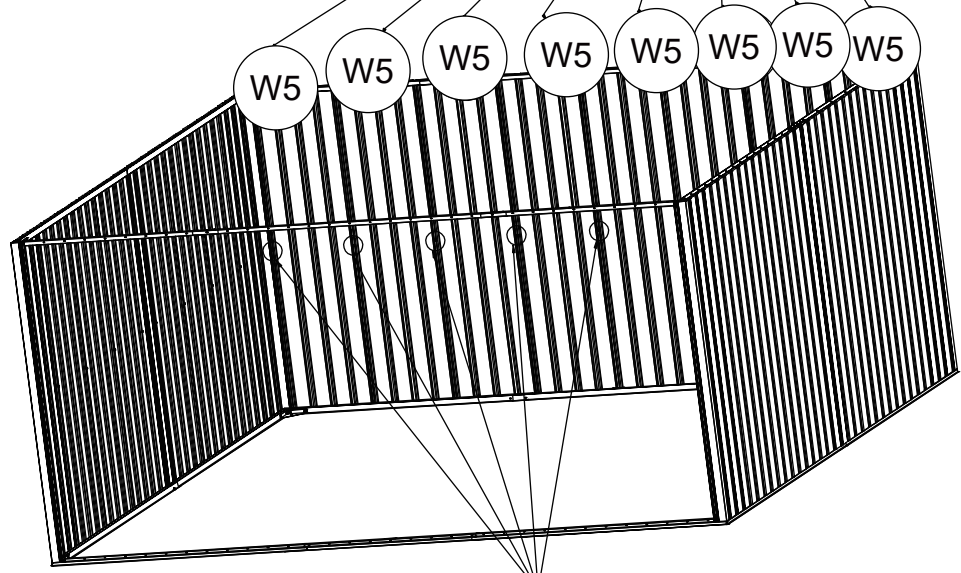
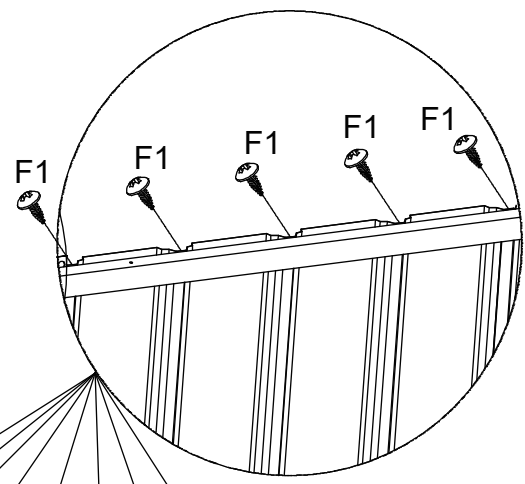


PART	NO.	QTY.
	W5	12
	W3	2
	F1	108
	F2	16







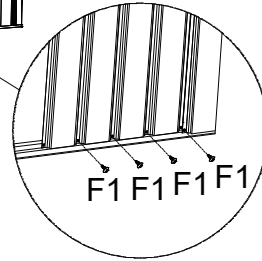
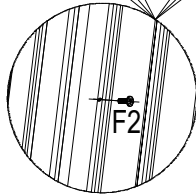
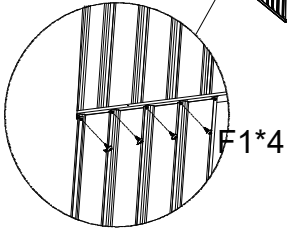
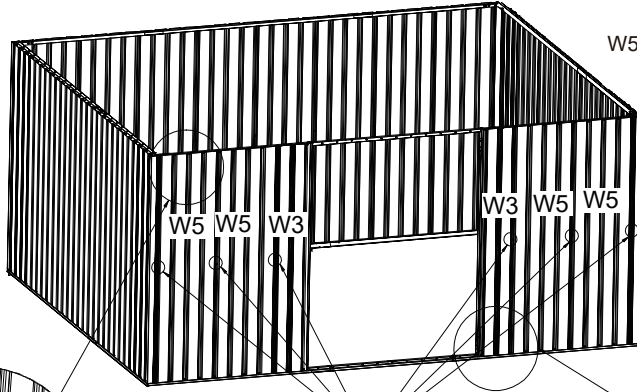
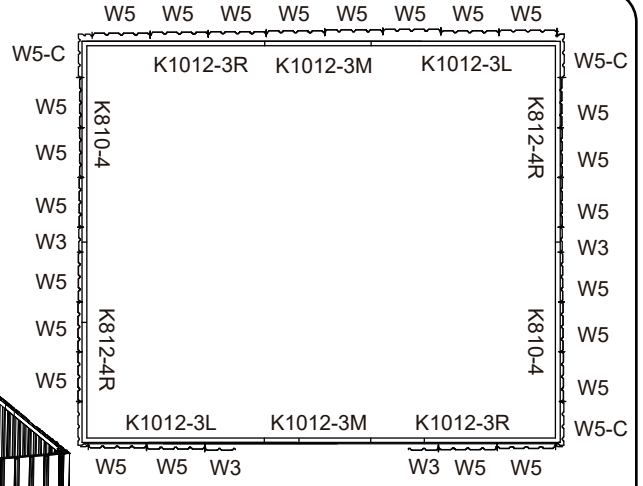





PART	NO.	QTY.
	W5	8
	F1	66
	F2	9

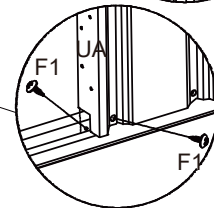
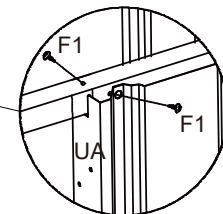
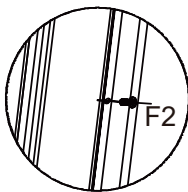
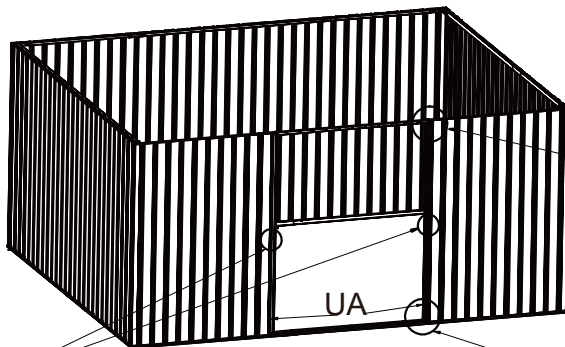
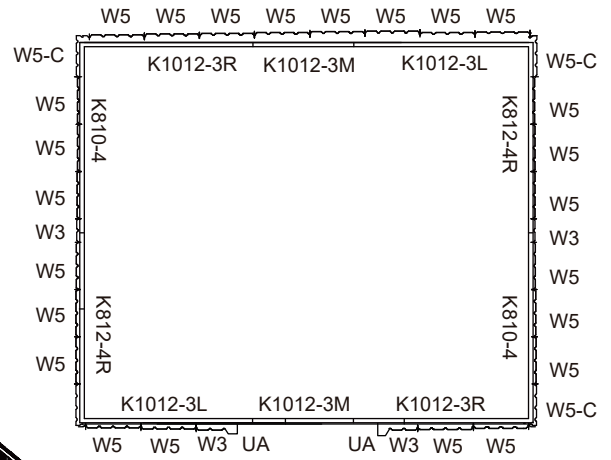


Directly covering the excess parts of the left and right panels.

PART	NO.	QTY.
	W5	4
	W3	2
	F1	40
	F2	6

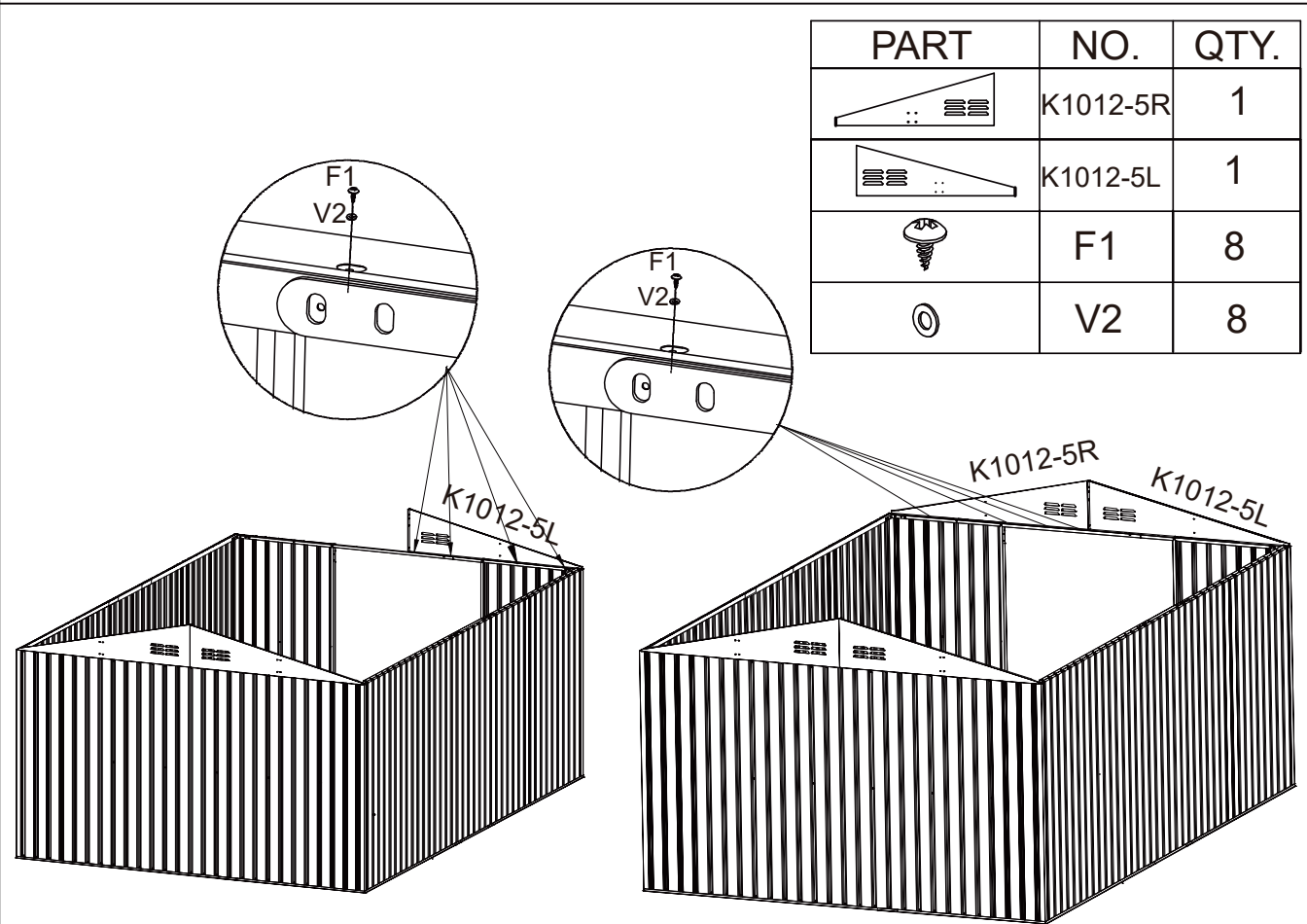
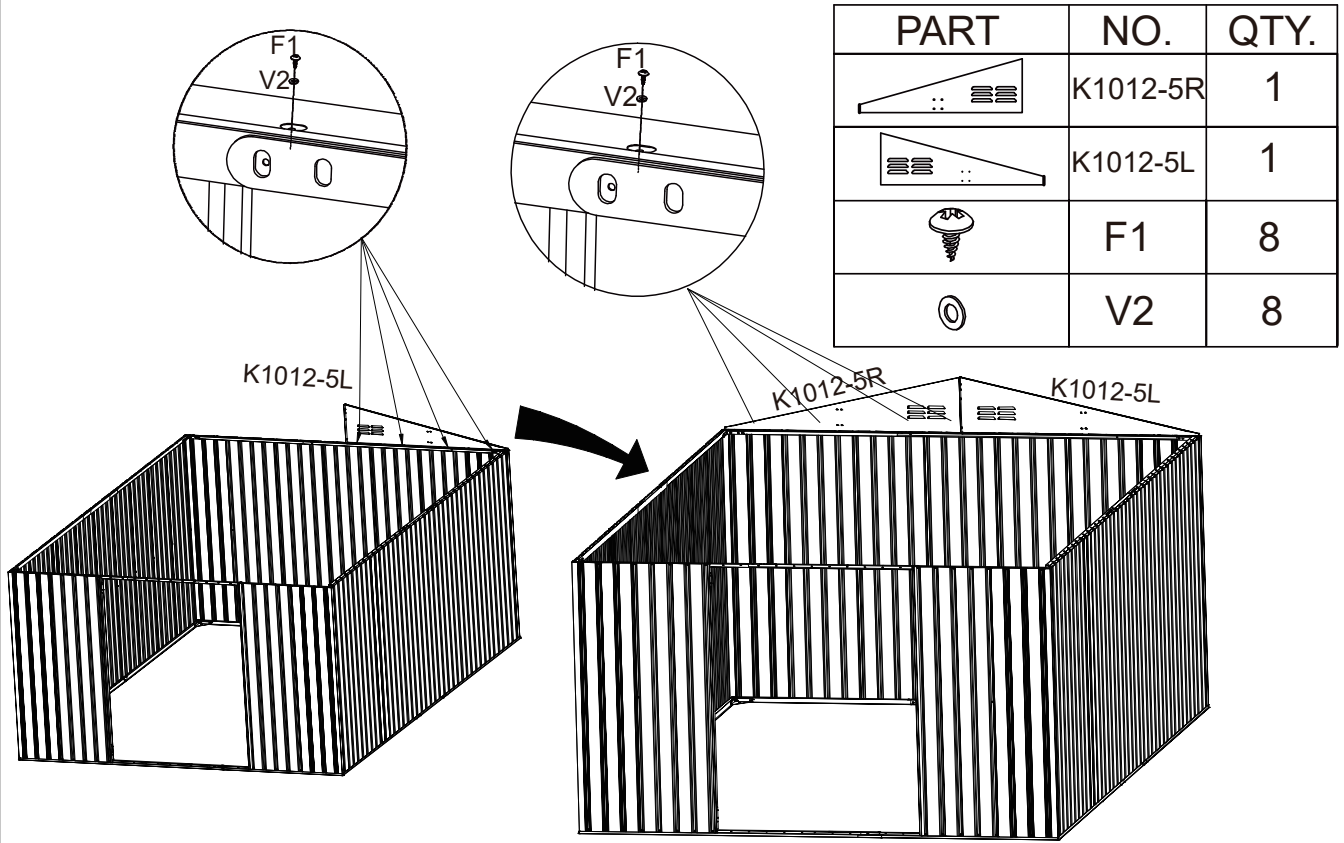


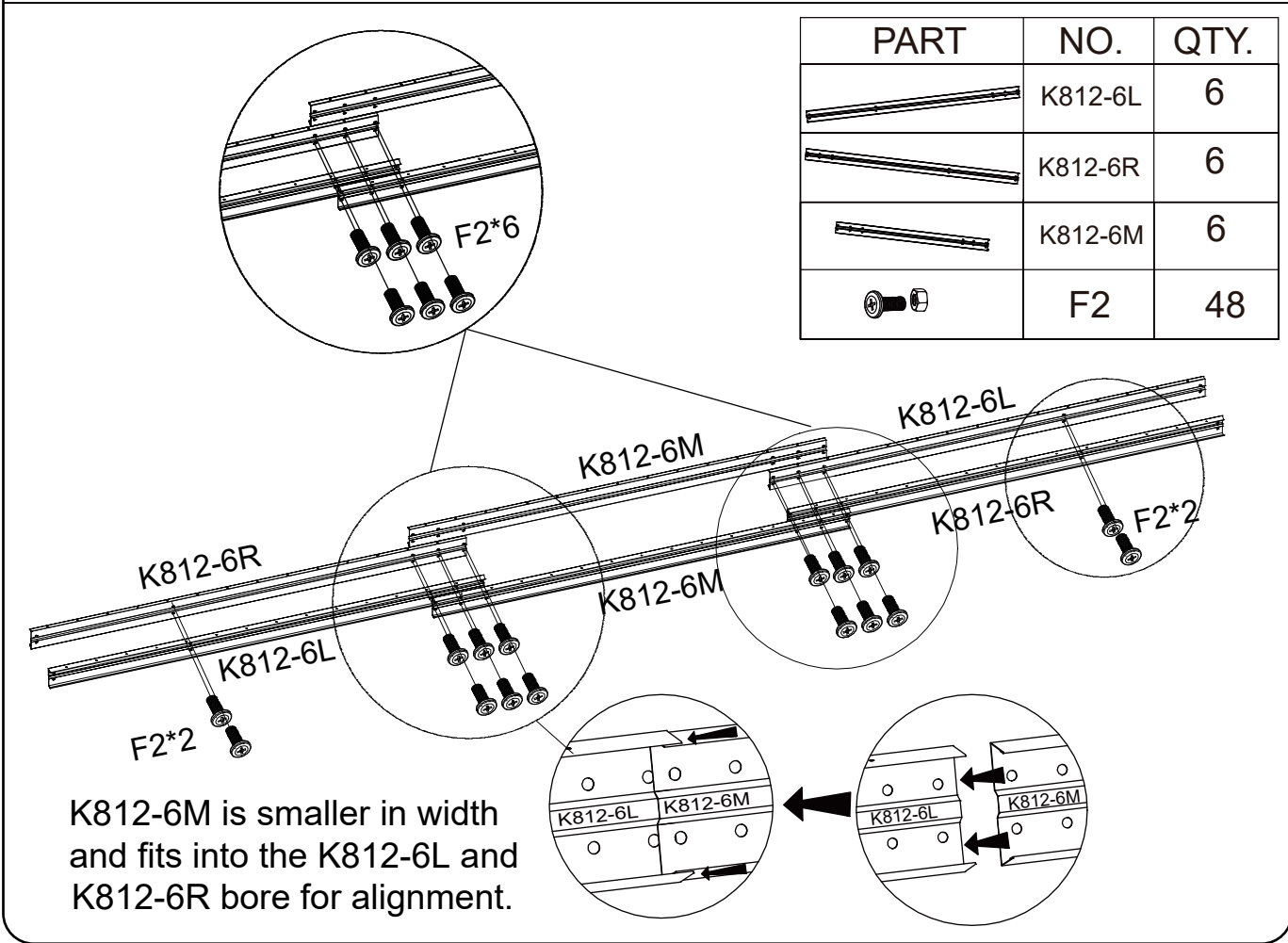
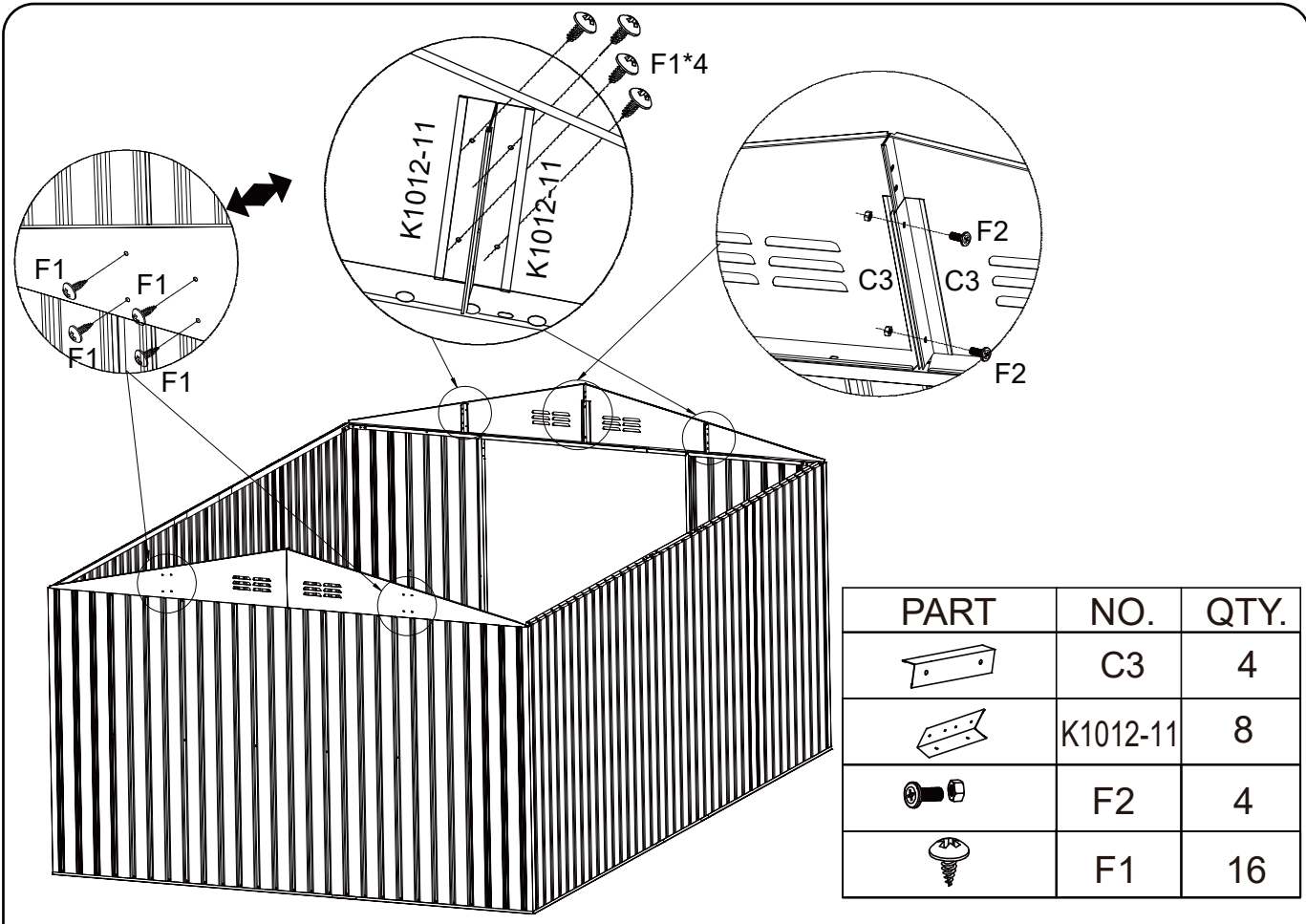
PART	NO.	QTY.
	UA	2
	F1	8
	F2	2




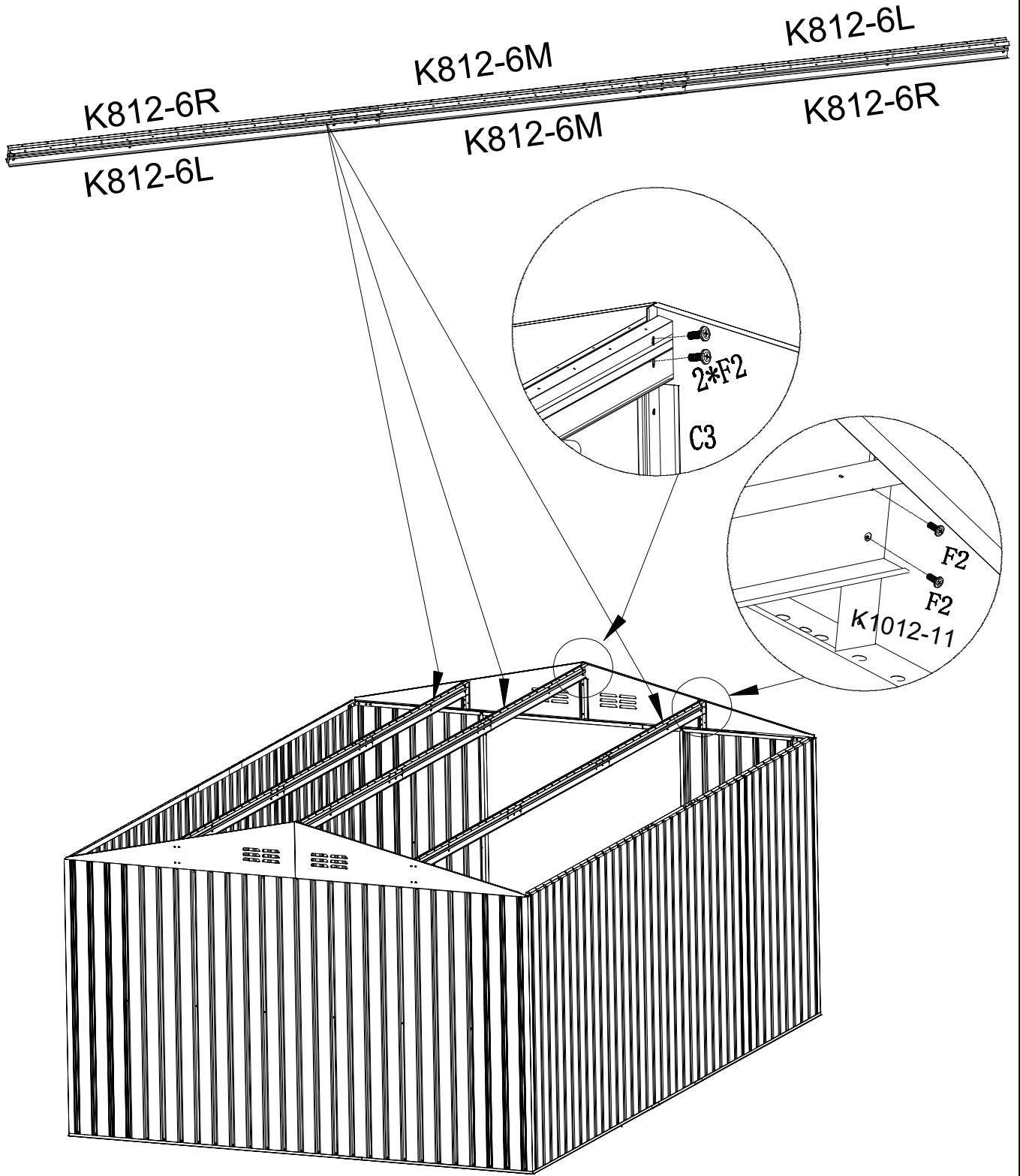
Directly covering the excess parts of the left and right panels.

# Shed Top Frame Assemble

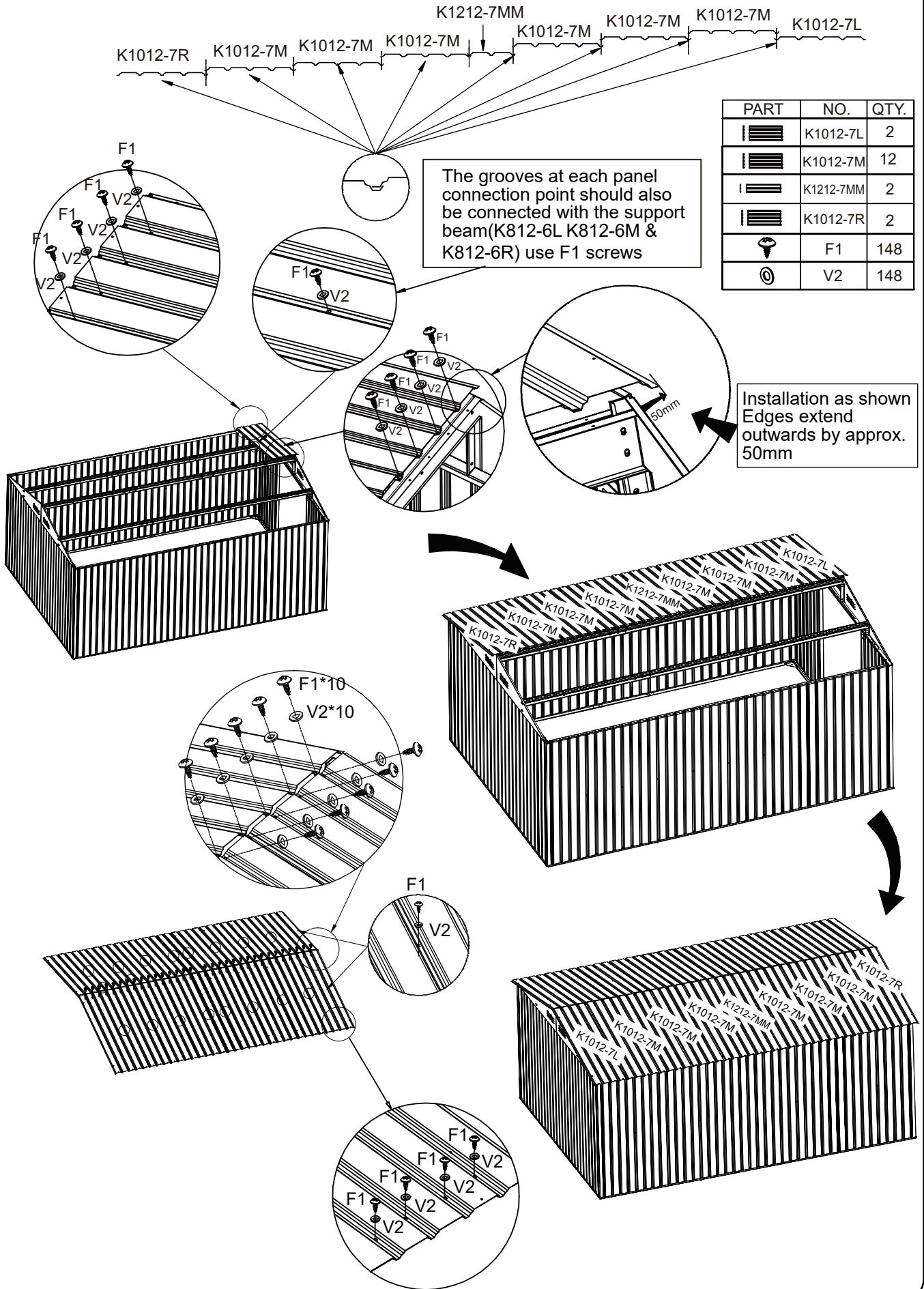








PART	NO.	QTY.
	F2	12

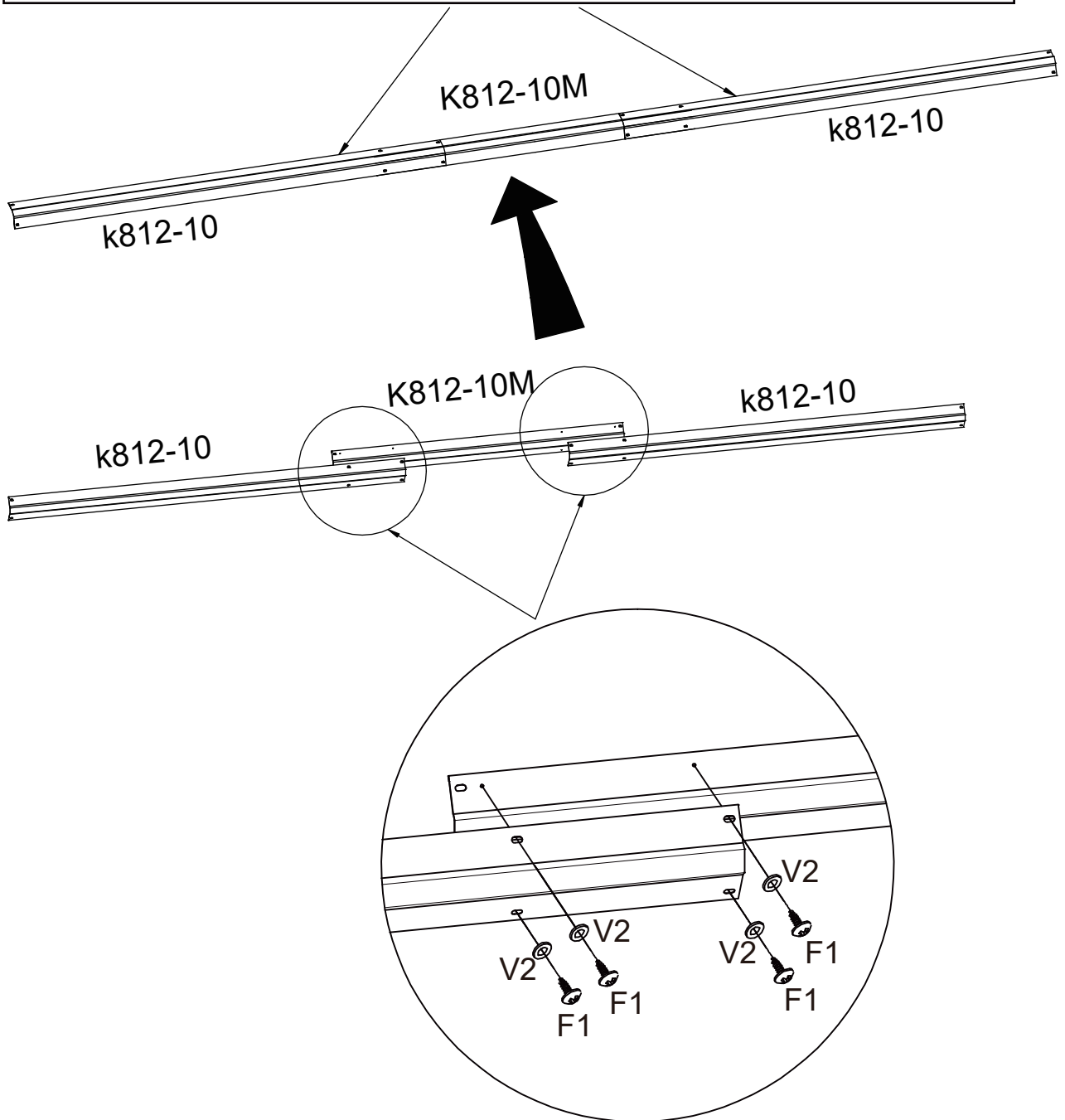











# Shed Top Panels Assemble

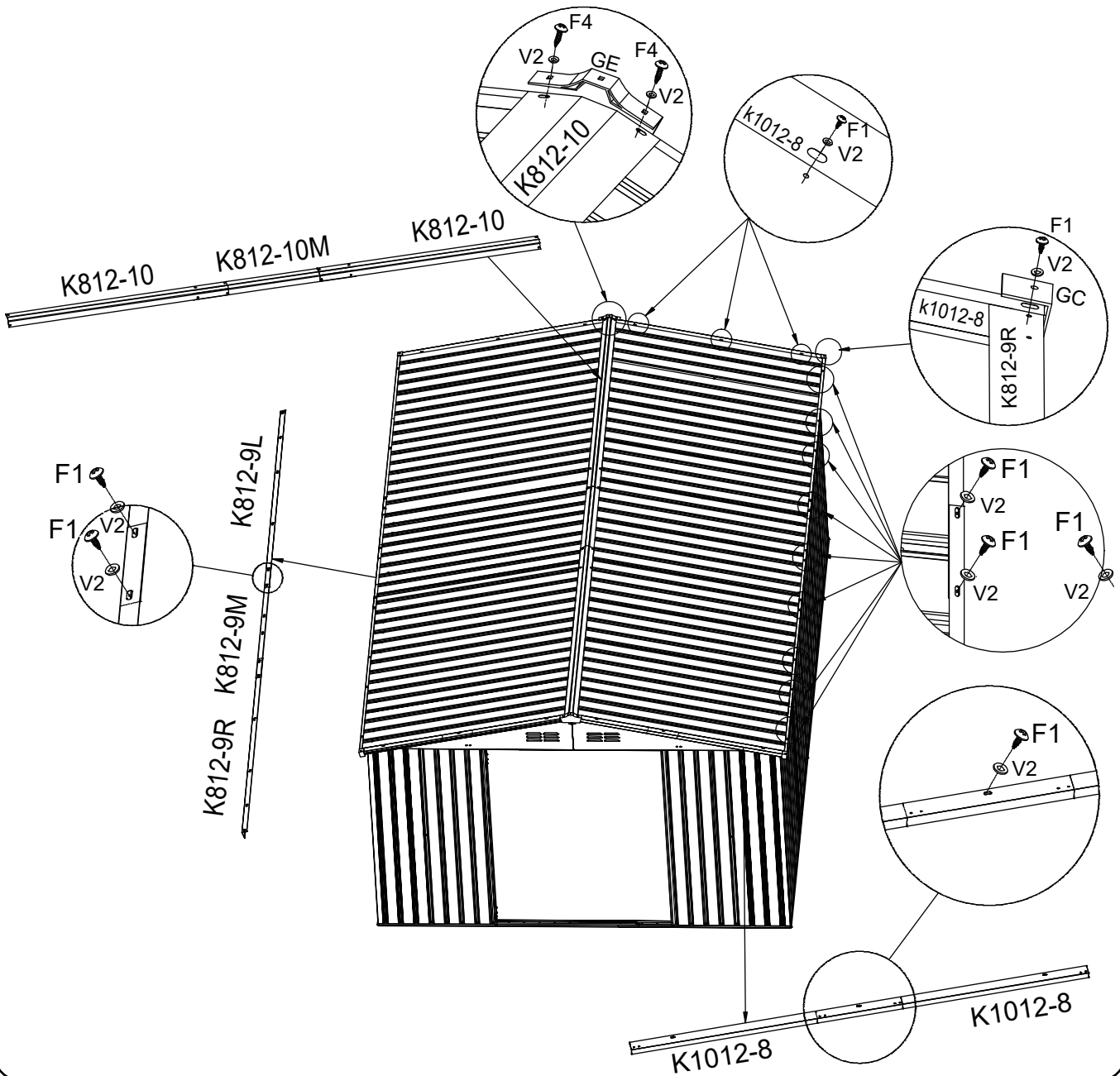
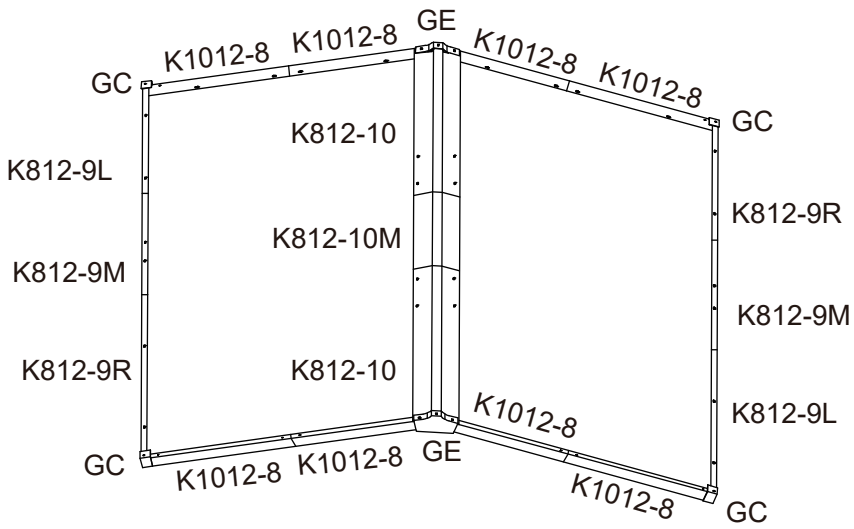


PART	NO.	QTY.
	K812-10	2
	K812-10M	1
	F1	8
	V2	8

The 3 components of the roof rain shield are first connected with F1 self-tapping screws before subsequent installation.


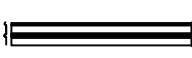



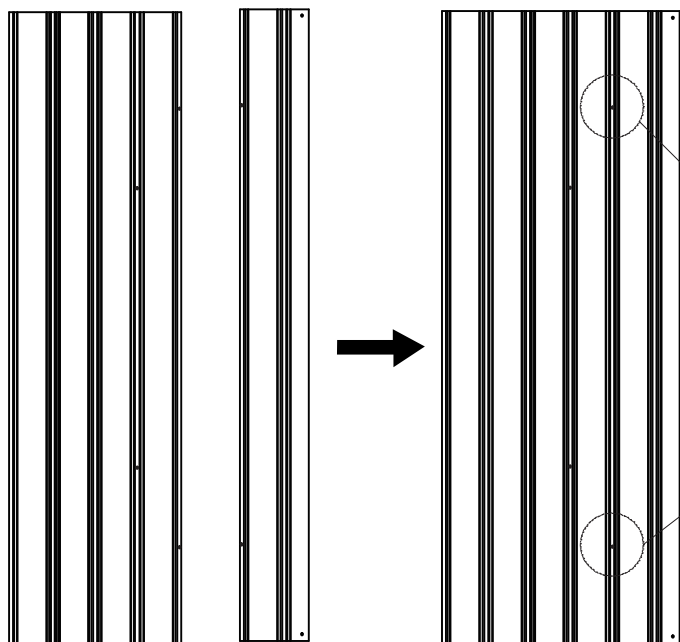
PART	NO.	QTY.
	K1012-8	8
	K812-9L	2
	K812-9M	2
	K812-9R	2
	GC	4
	GE	2
	F1	40
	V2	44
	F4	4



# Door Assemble

DL

PART	NO.	QTY.
	W5-K	1
	W2-HL	1
	F2	2

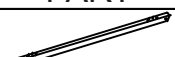
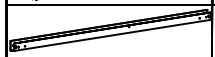
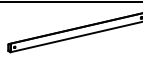





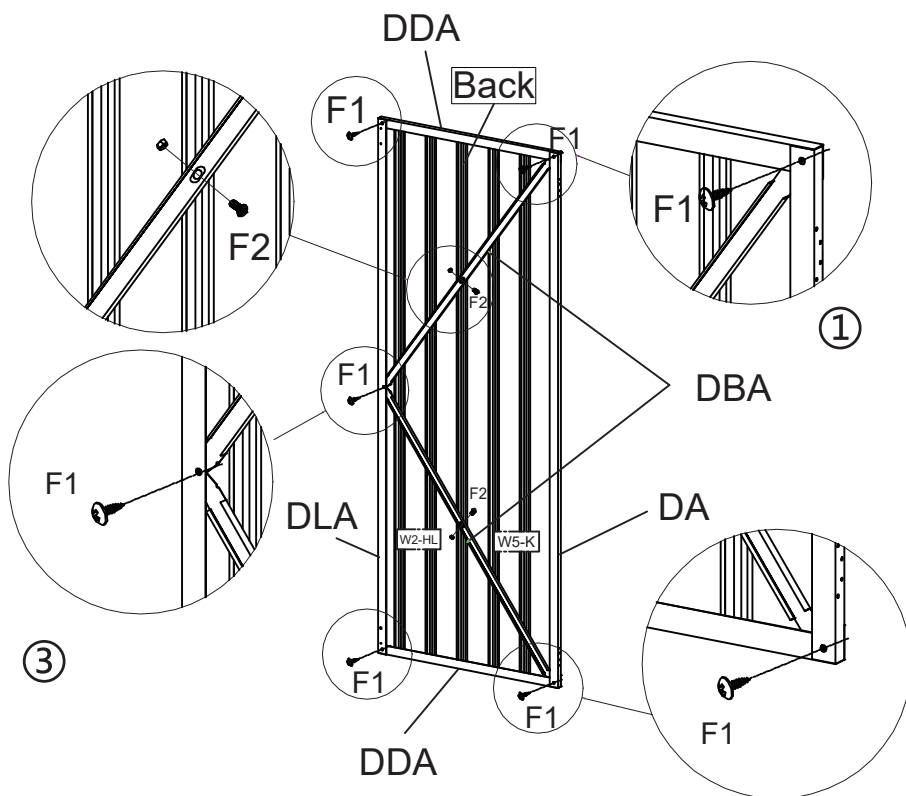
W5-K

W2-HL

W5-K W2-HL




Please follow the steps ①-②-③ install.

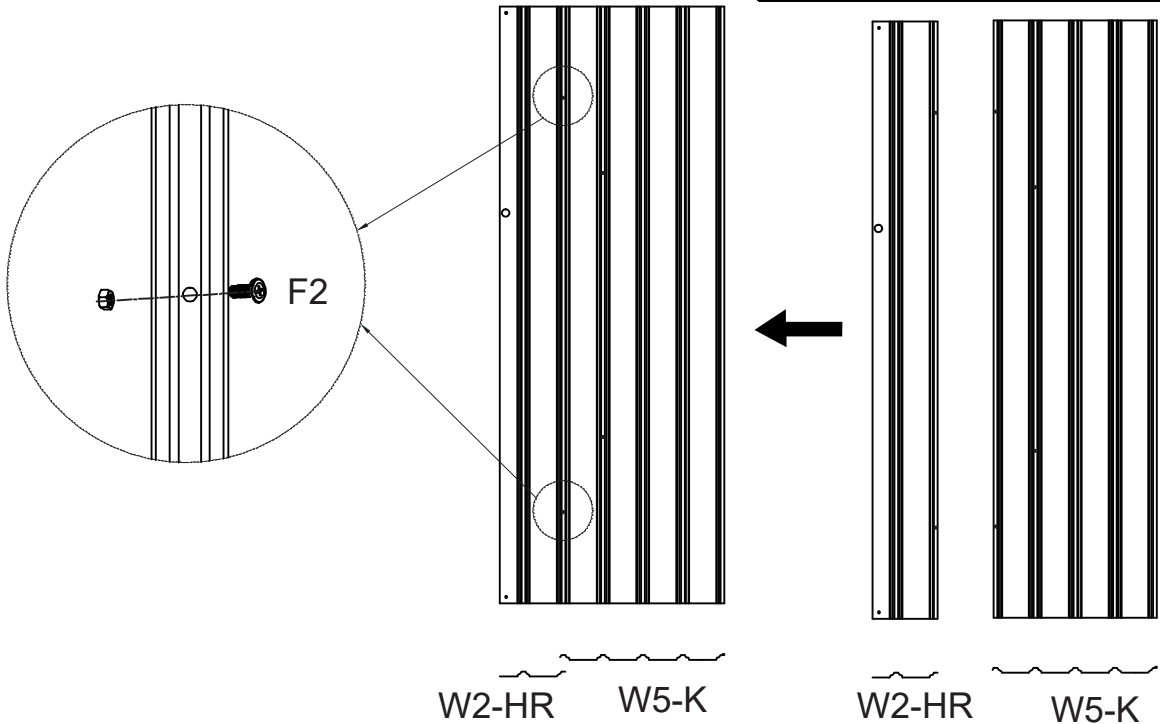
PART	NO.	QTY.
	DA	1
	DLA	1
	DDA	2
	DBA	2
	F1	9
	F2	2



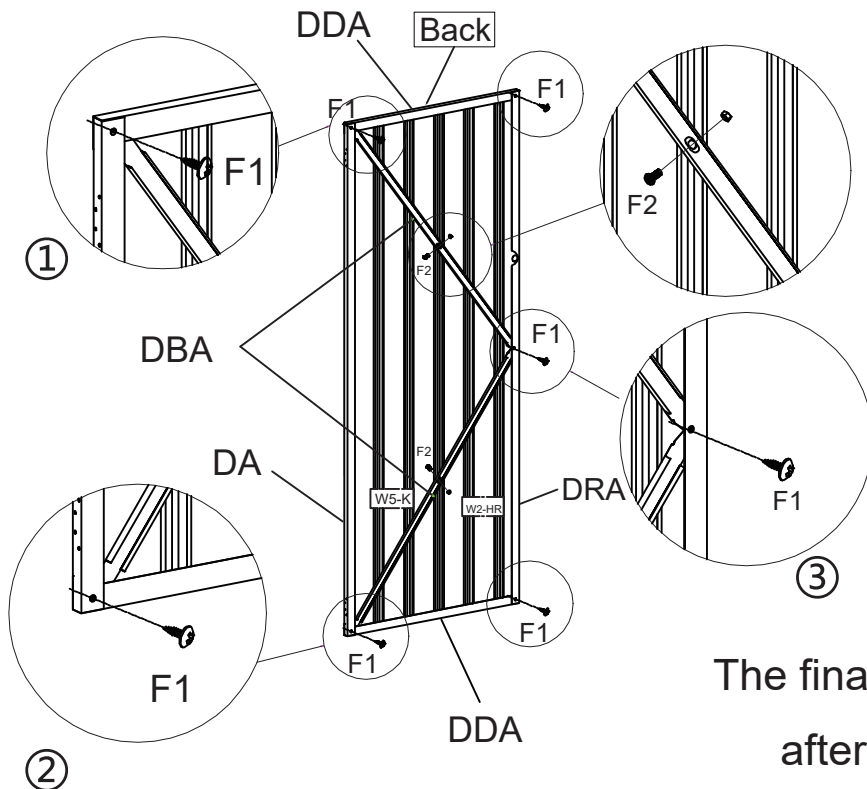
View from the front, the vertical rod covers the horizontal rod. The larger hole is always covered over the small hole.



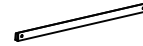
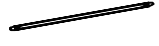


DR

PART	NO.	QTY.
	W5-K	1
	W2-HR	1
	F2	2


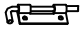





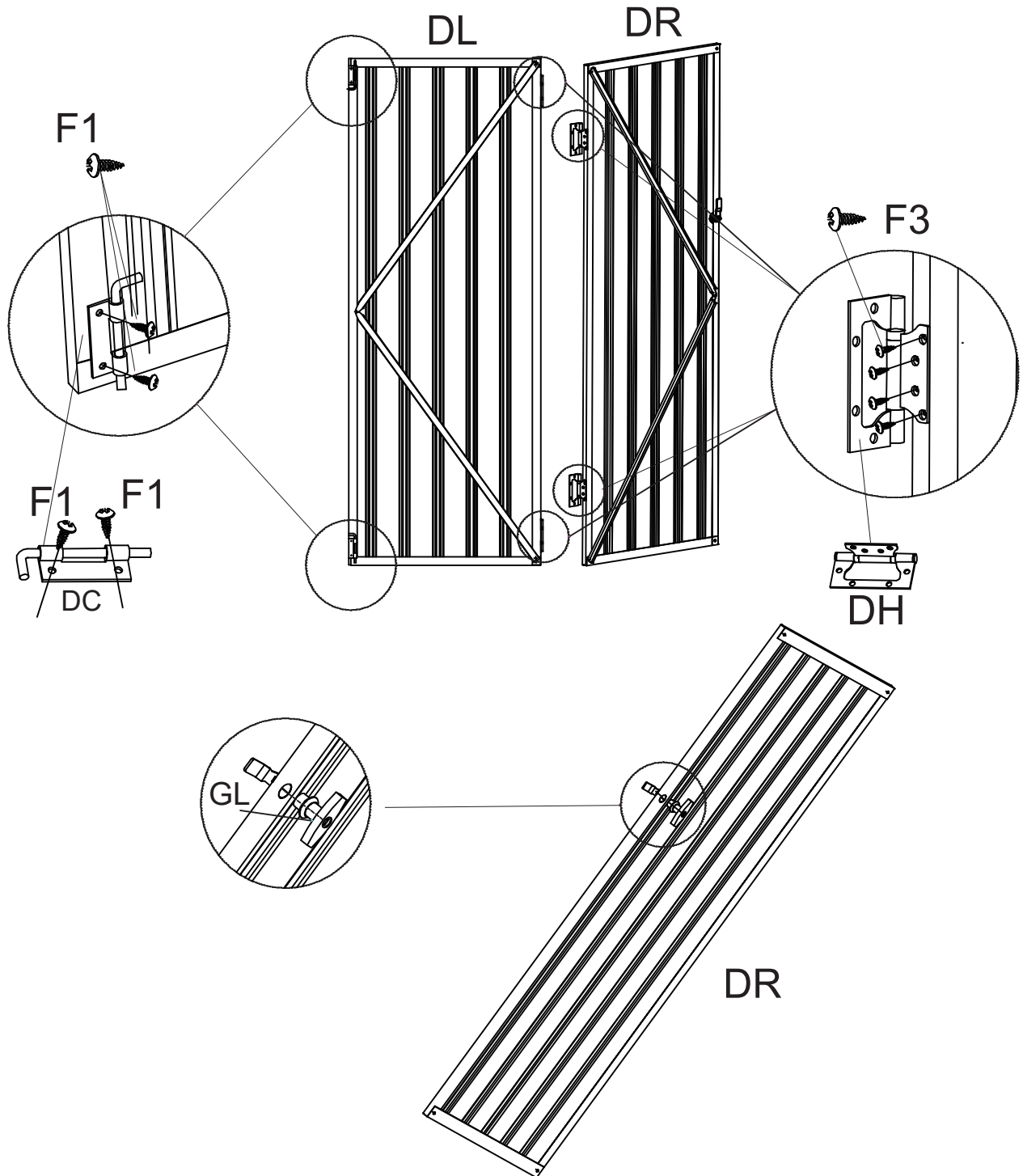
Please follow the steps ①-②-③ install.



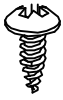


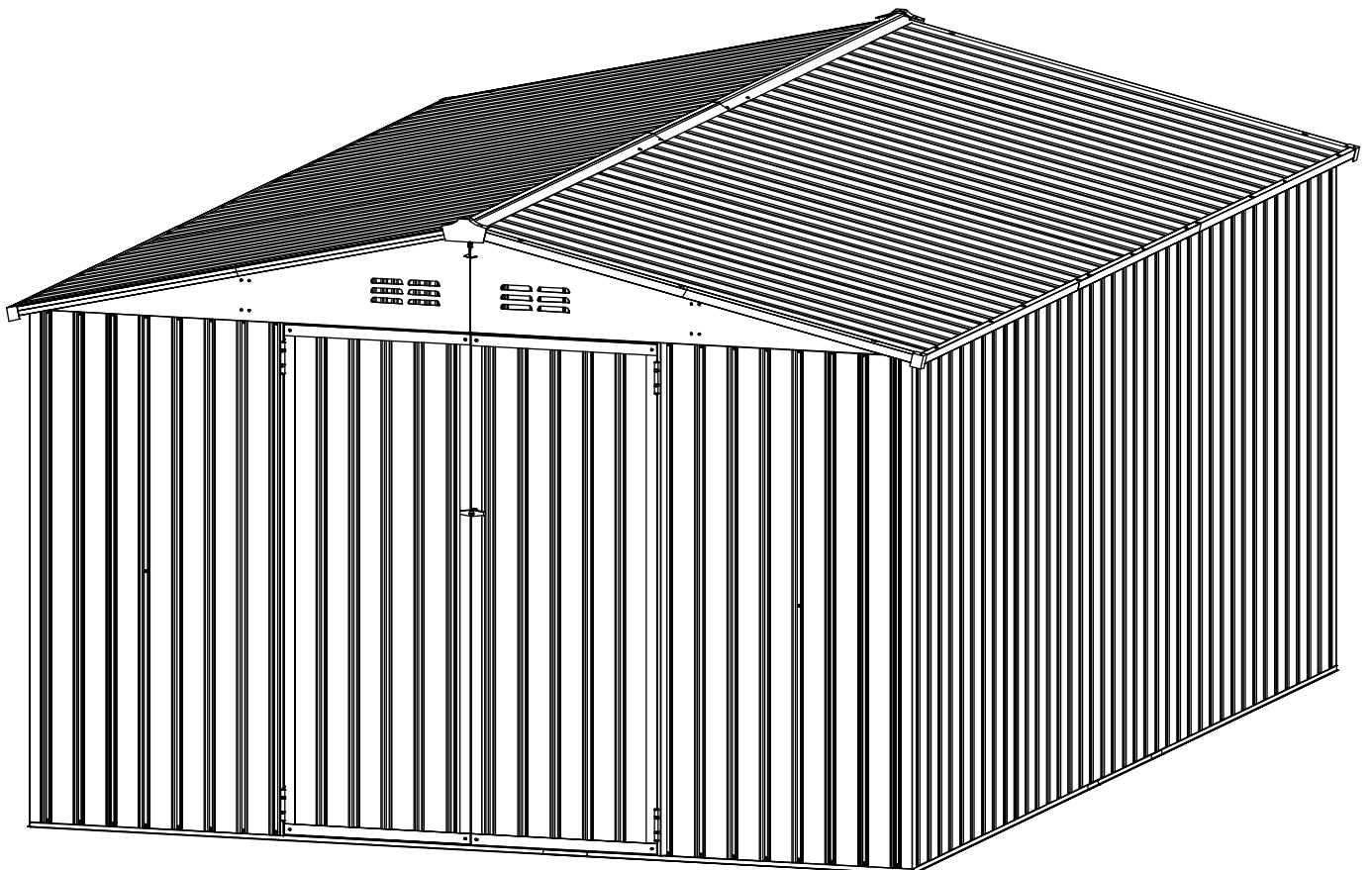
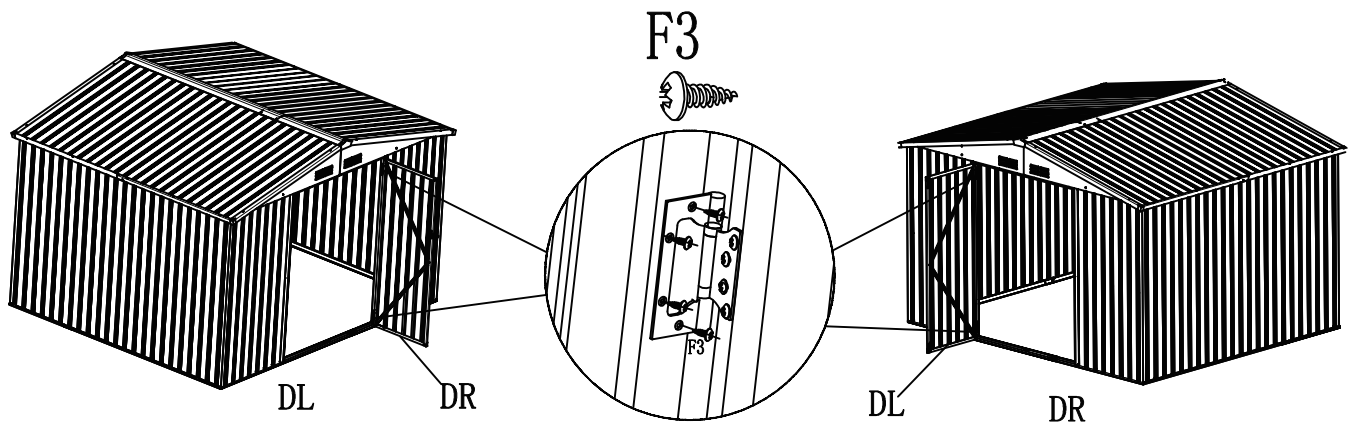
PART	NO.	QTY.
	DA	1
	DRA	1
	DDA	2
	DBA	2
	F1	9
	F2	2

The final fixation should be done after all parts are aligned.

PART	NO.	QTY.
	DH	4
	DC	2
	F3	16
	GL	1
	F1	4



PART	NO.	QTY.
	DL	1
	DR	1
	F3	16



PART	NO.	QTY.
	SL	98

The exposed portion of the upper beam support bar K1012-11 assembly screws needs to be covered with a plastic protective cap.

A plastic protective cap is required for the exposed portion of the upper cross member K812-6L K812-6M K812-6R and top cover assembly screws

