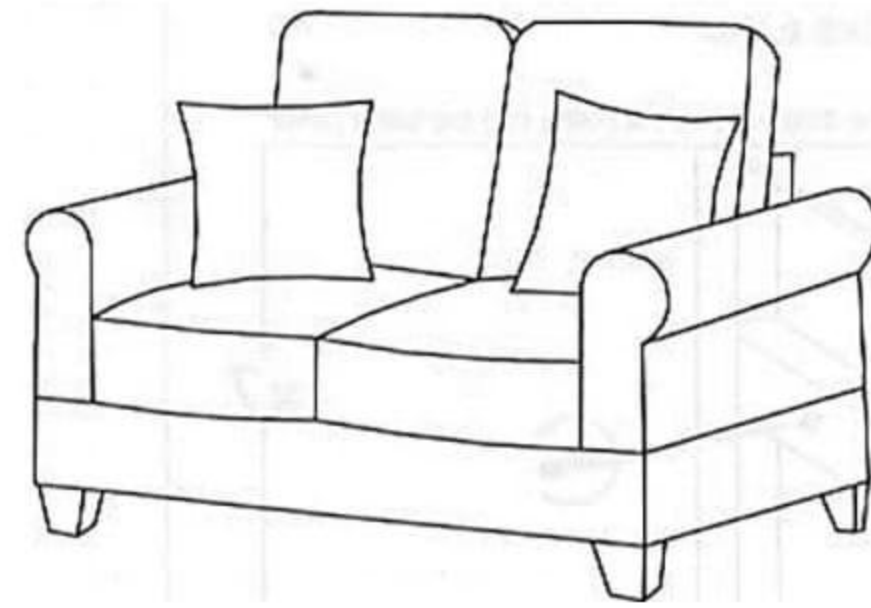
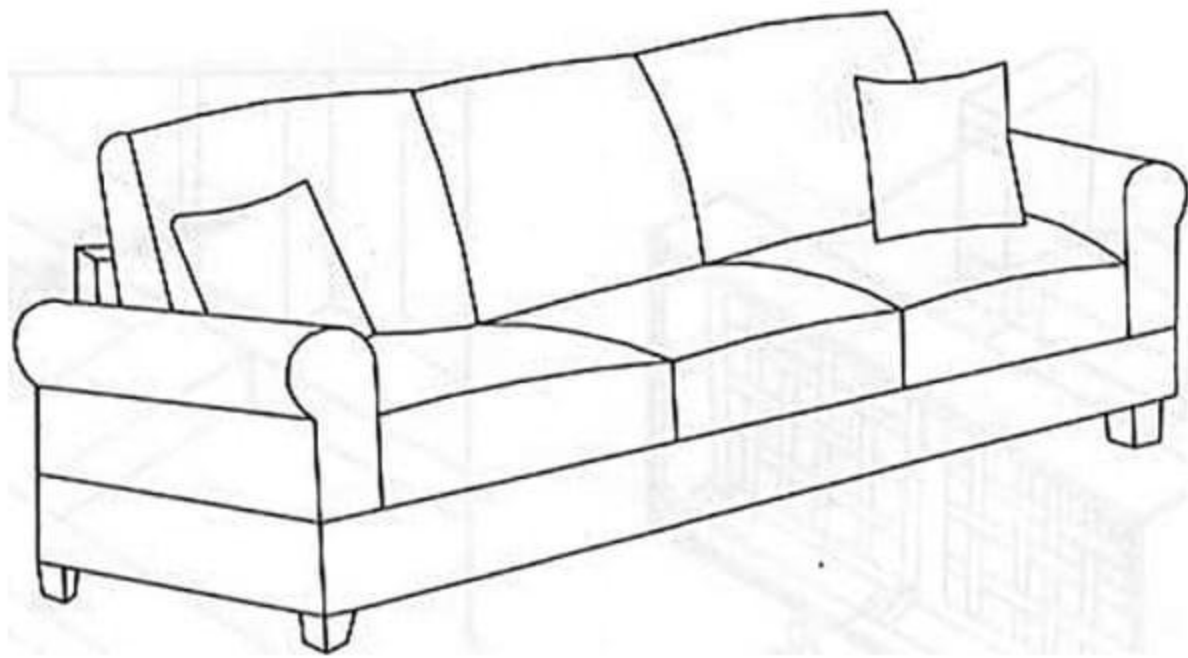
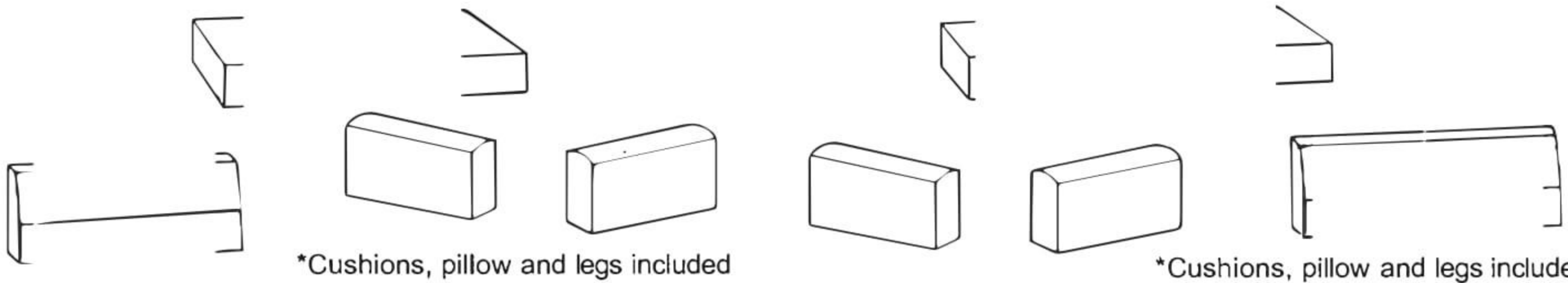








# ASSEMBLY INSTRUCTION

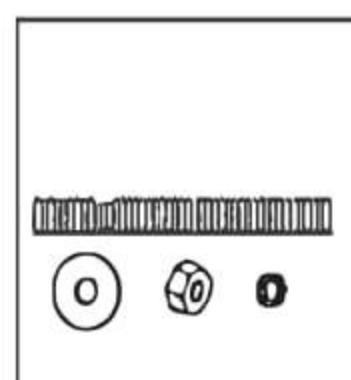
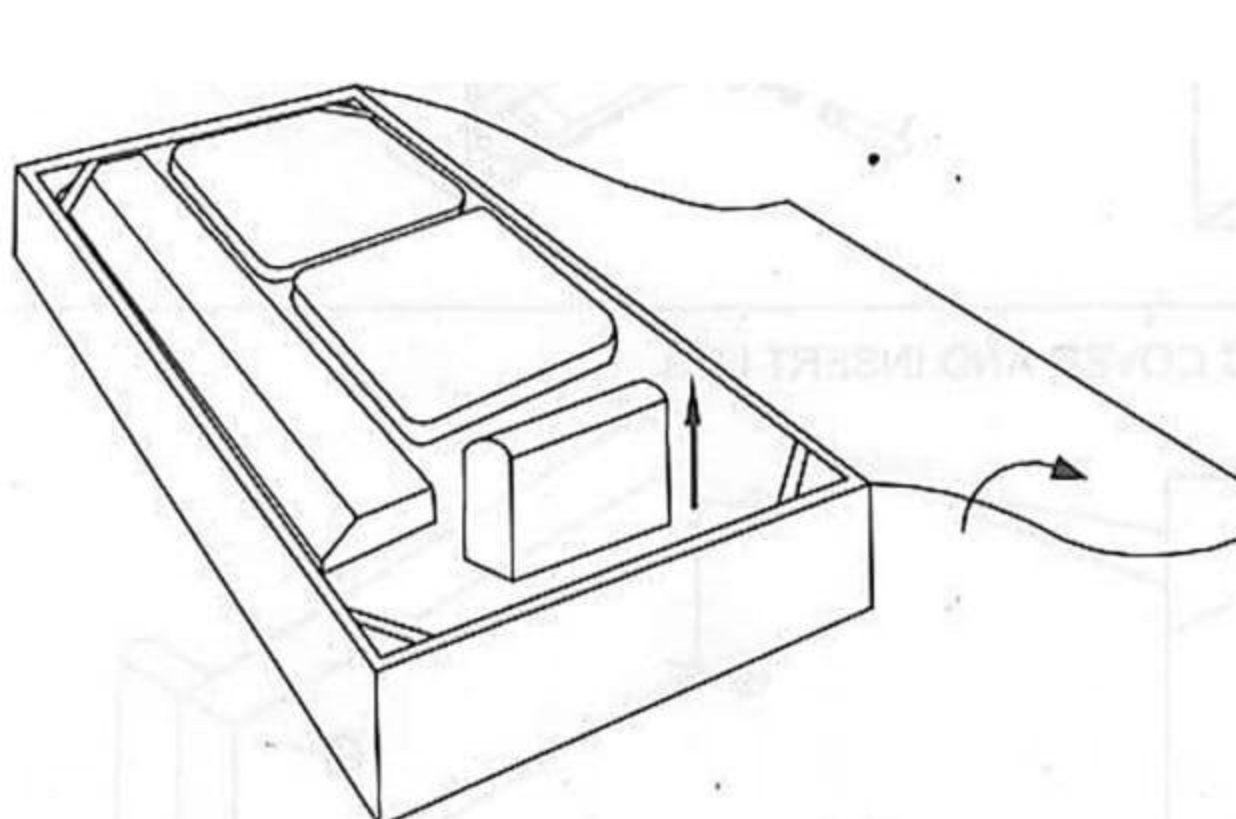


## PARTS LIST



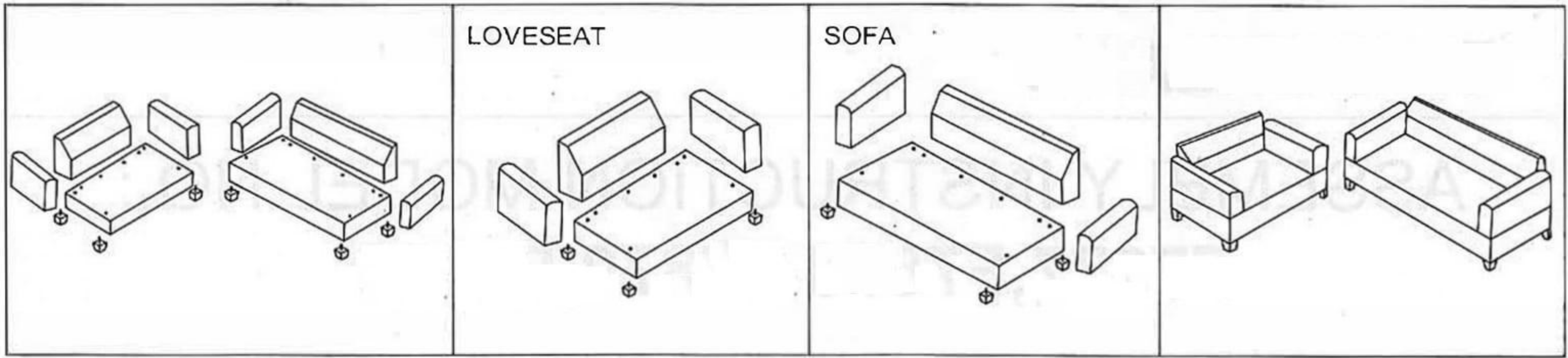
1	 x15	2	 x15	3	 x15
4	 x15	5	 x2	6	 x8

## BEFORE ASSEMBLY



Open up the Velcro of Non-Woven Fabric cover on the bottom of the seat frame to remove seat cushions, back cushions and pillow.

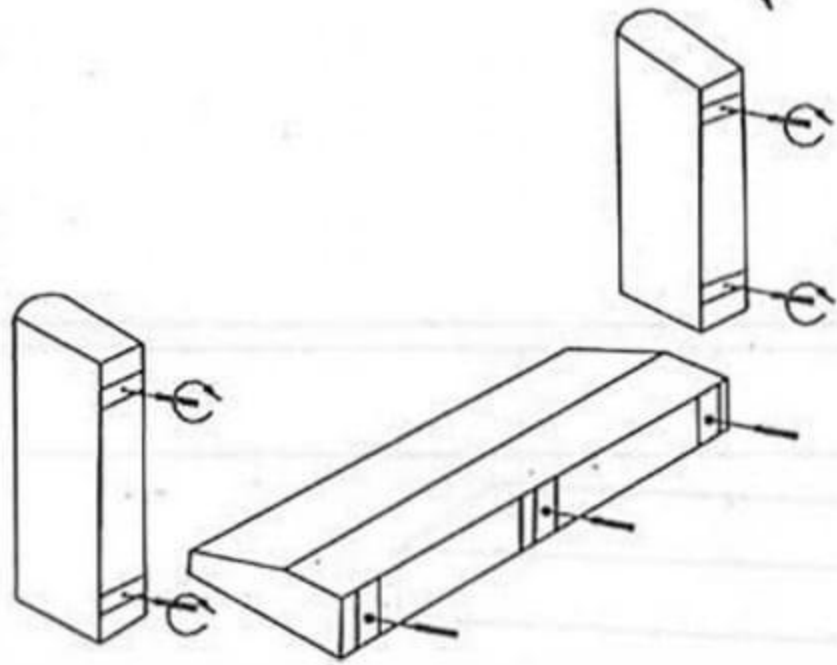
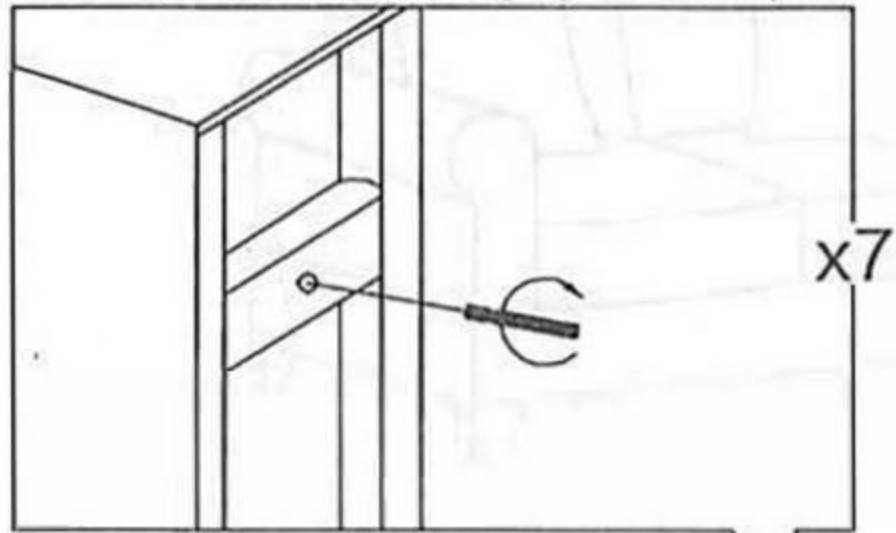
PLEASE REMOVE ALL PARTS FROM SEATS FRAMES AND BACKS BEFORE ASSEMBLY



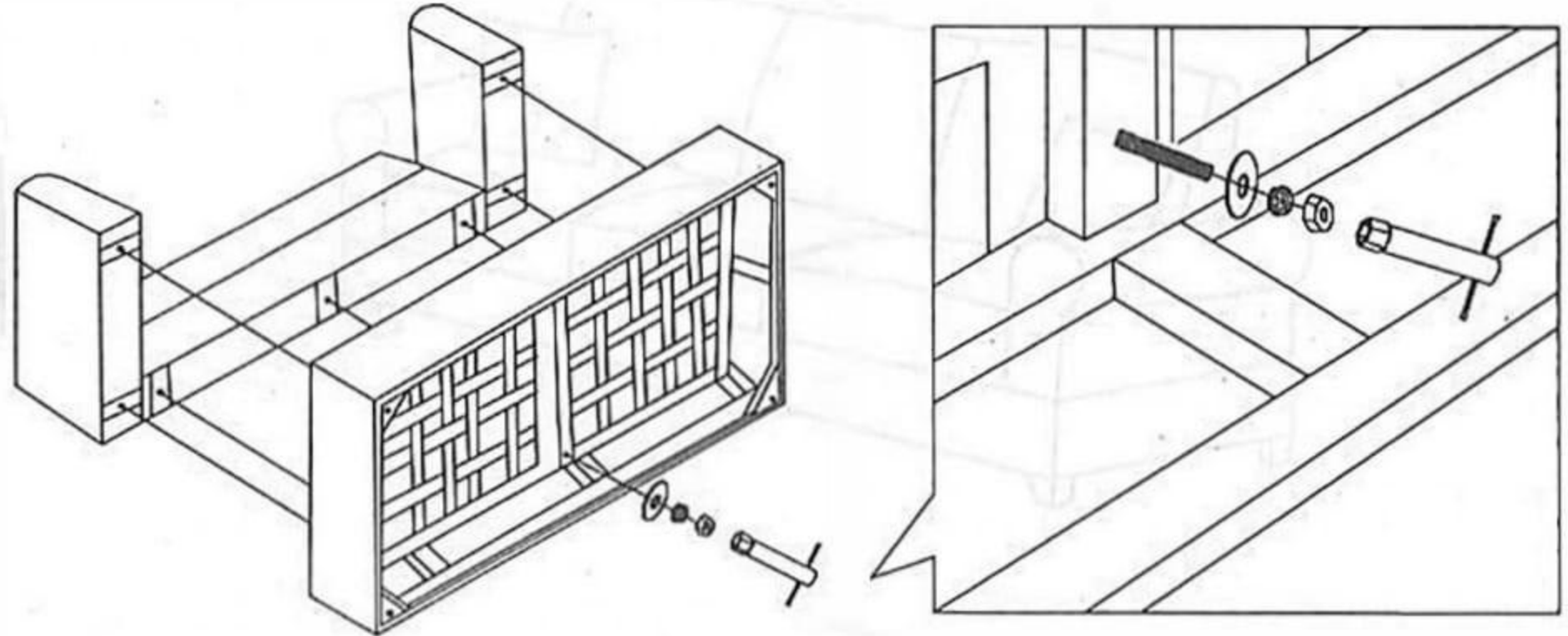
### LOVESEAT -BOX 1

STEP 1- INSERT THREADED RODS INTO SEAT BACKS & ARM

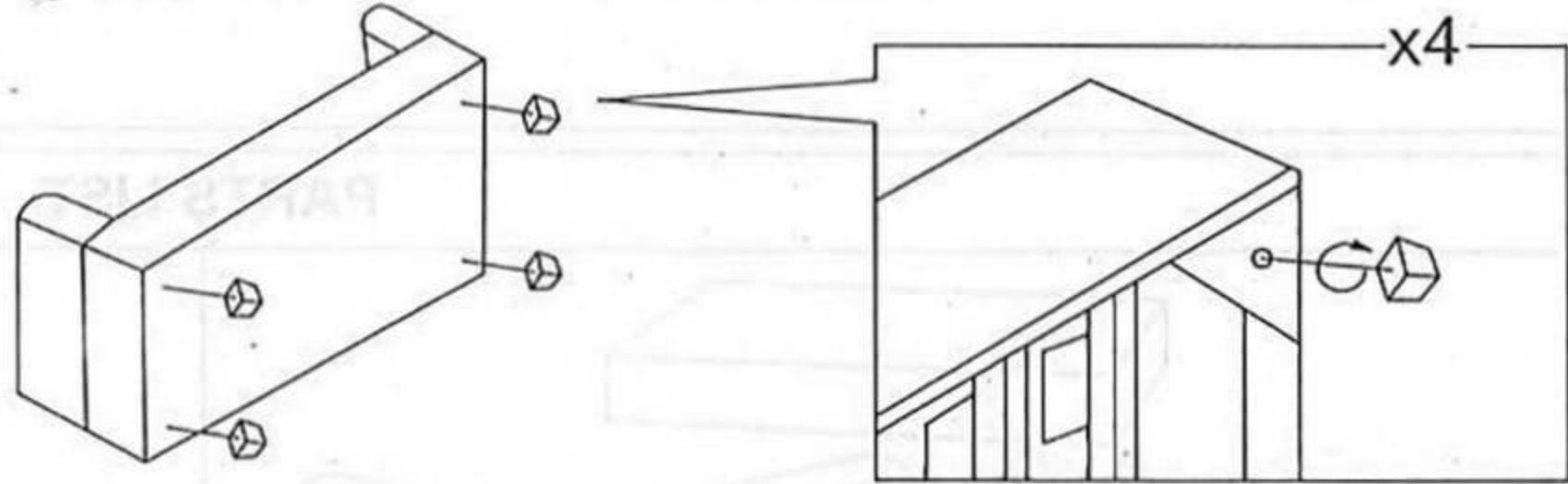
\*Shorter end of the threaded screw going into the back panel\*



STEP 2- MOUNT SEAT BACKS & ARM INTO THE SEAT FRAME

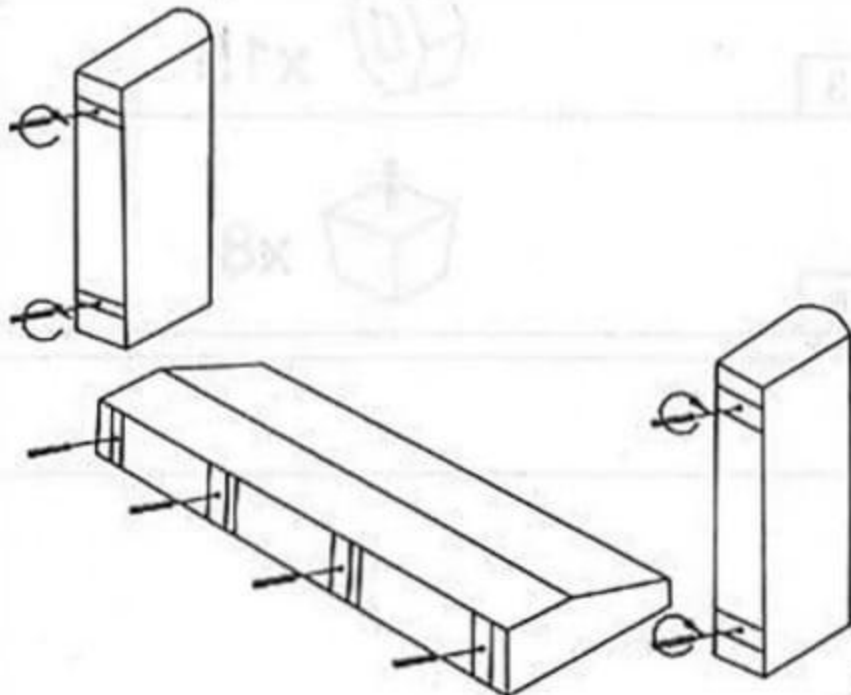


STEP 3- PUT BACK THE FABRIC COVER AND INSERT LEG

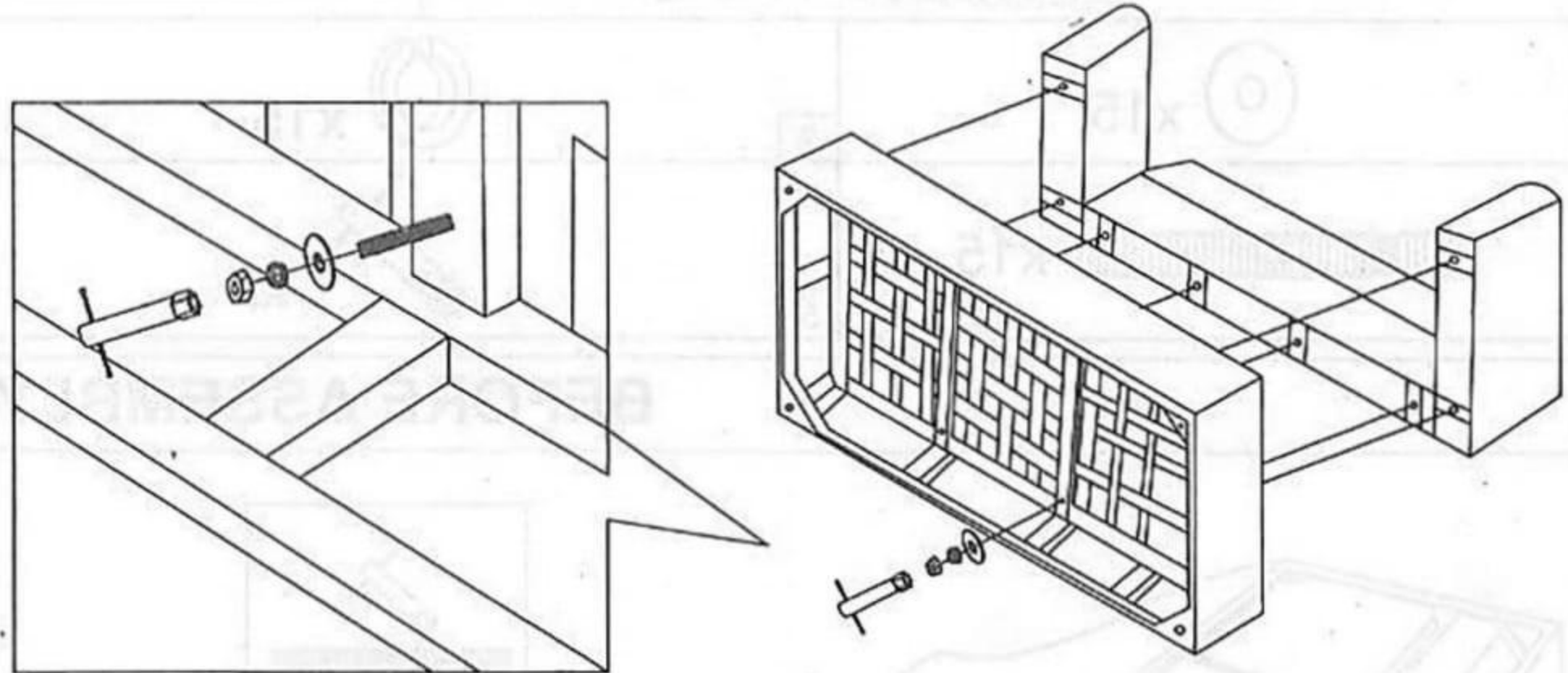


### SOFA -BOX 2

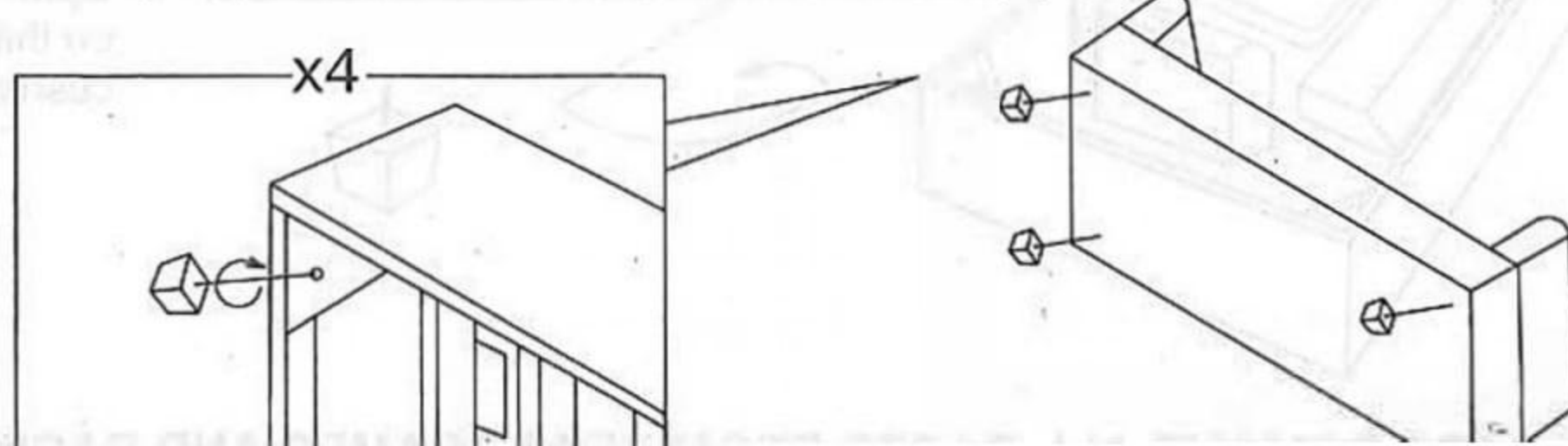
STEP 1- INSERT THREADED RODS INTO SEAT BACKS & ARM



STEP 2- MOUNT SEAT BACKS & ARM INTO THE SEAT FRAME



STEP 3- PUT BACK THE FABRIC COVER AND INSERT LEG



x8

x4

x4