

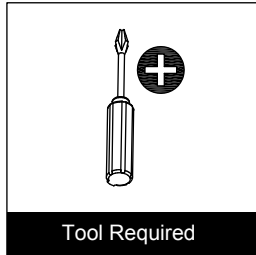
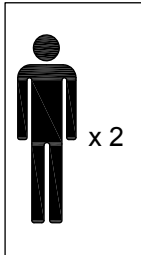
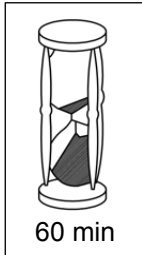
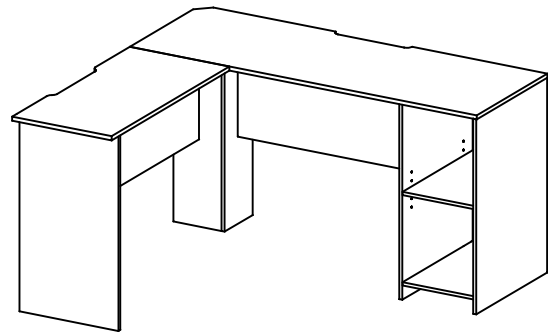


www.furinno.com

NEED HELP? For help with assembly, or if you are missing a part, please call Furinno's Customer Service, 1-773-299-8111 from Mon-Fri, 9am-5pm (CST) or email: support@furinno.com

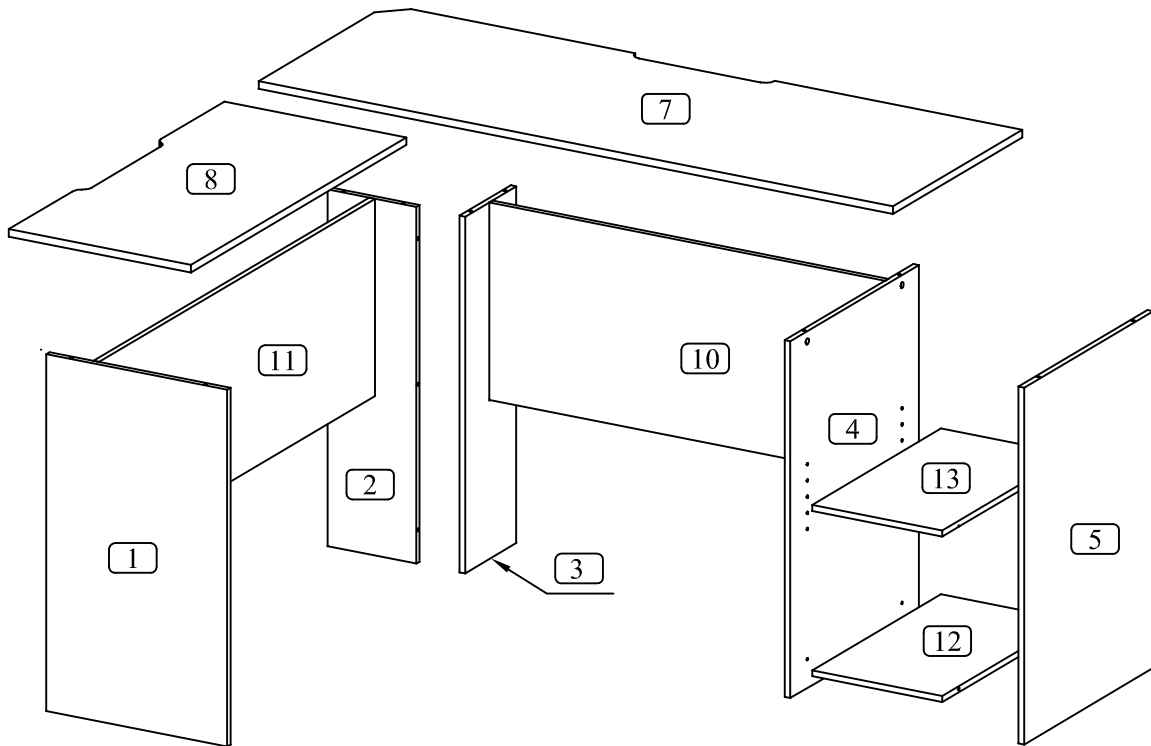
16084

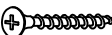






Furinno L-Shaped Desk with Bookshelves



USEFUL HINTS BEFORE YOU START:

1. Read each step carefully before starting.
2. It is important that each step is performed in correct order to avoid difficulties.
3. Identify, sort and count the parts before assembly.
4. Assemble your furniture on packaging cardboard to prevent scratch or damage.
5. Clean the product with mild cleanser using soft damped cloth. Do not use harsh or abrasive cleanser.
6. Using incompatible hardware might cause damage to product.

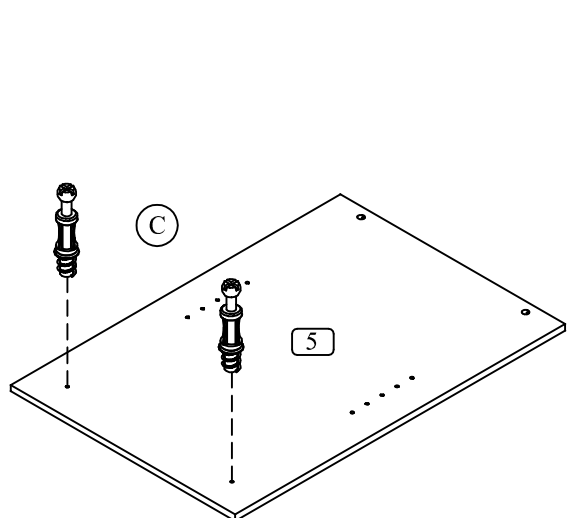
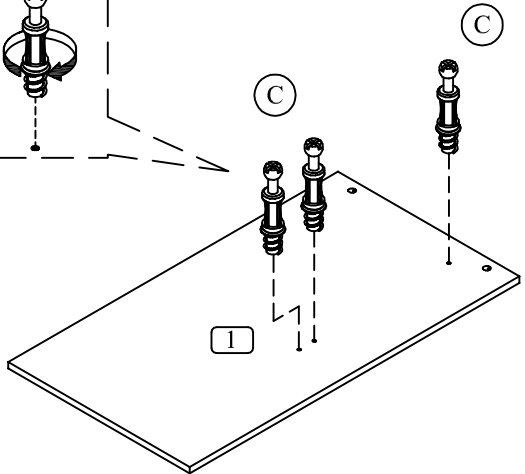
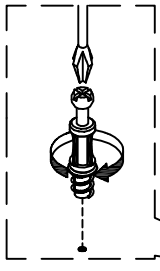


<p>A 4 x</p>  <p>ø8x35 mm</p>	<p>B 22 x</p>  <p>ø14.8x10 mm</p>	<p>C 22 x</p>  <p>ø7x32 mm</p>	
<p>D 16 x</p>  <p>ø6x16mm (FH)</p>	<p>E 2 x</p>  <p>105x30x2mm</p>	<p>F 5 x</p>  <p>ø18x5 mm</p>	<p>G 4 x</p>  <p>ø4.8x20.5 mm</p>

1



C = 5 x



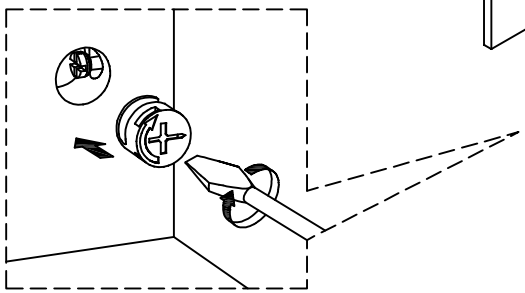
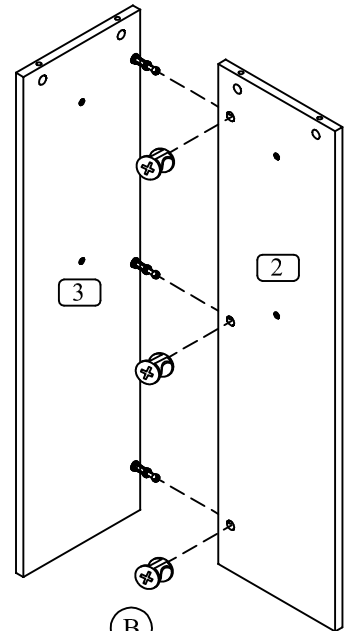
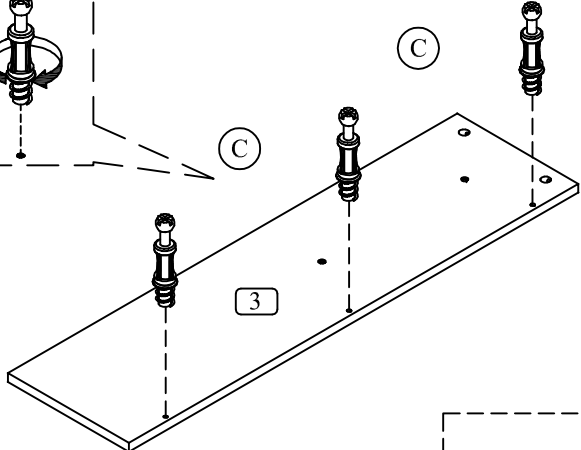
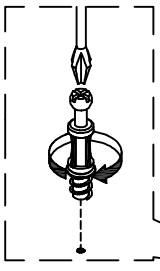
2



B = 3 x



C = 3 x

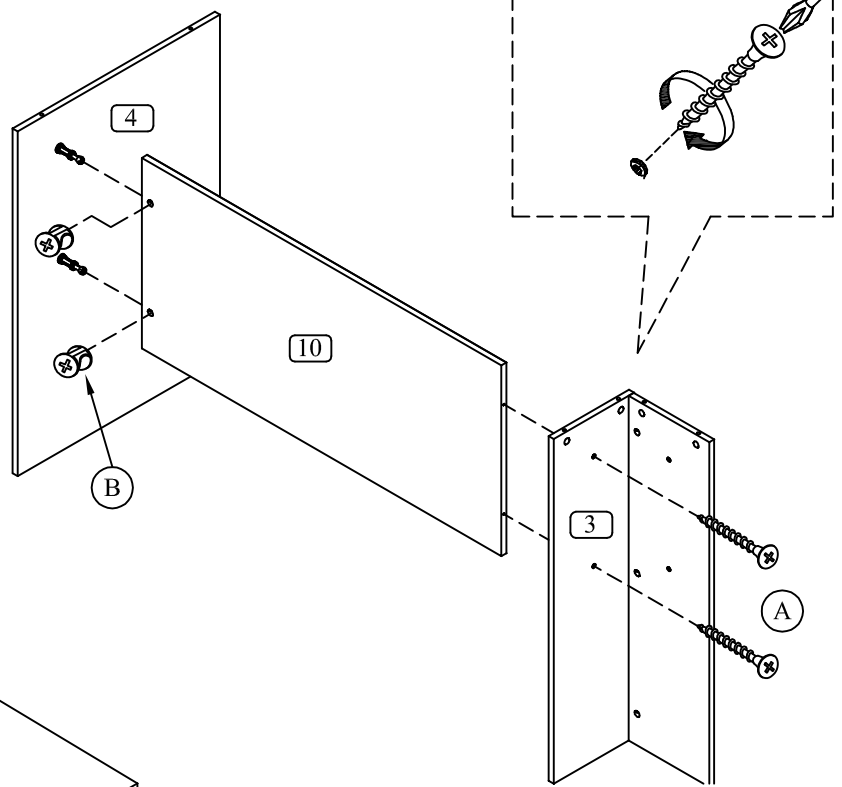
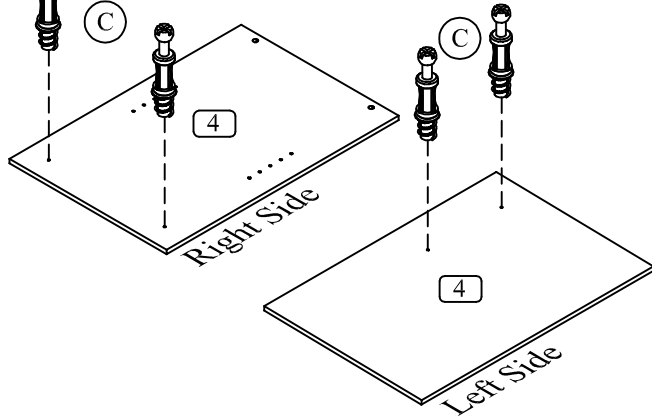


3

A = 2 x

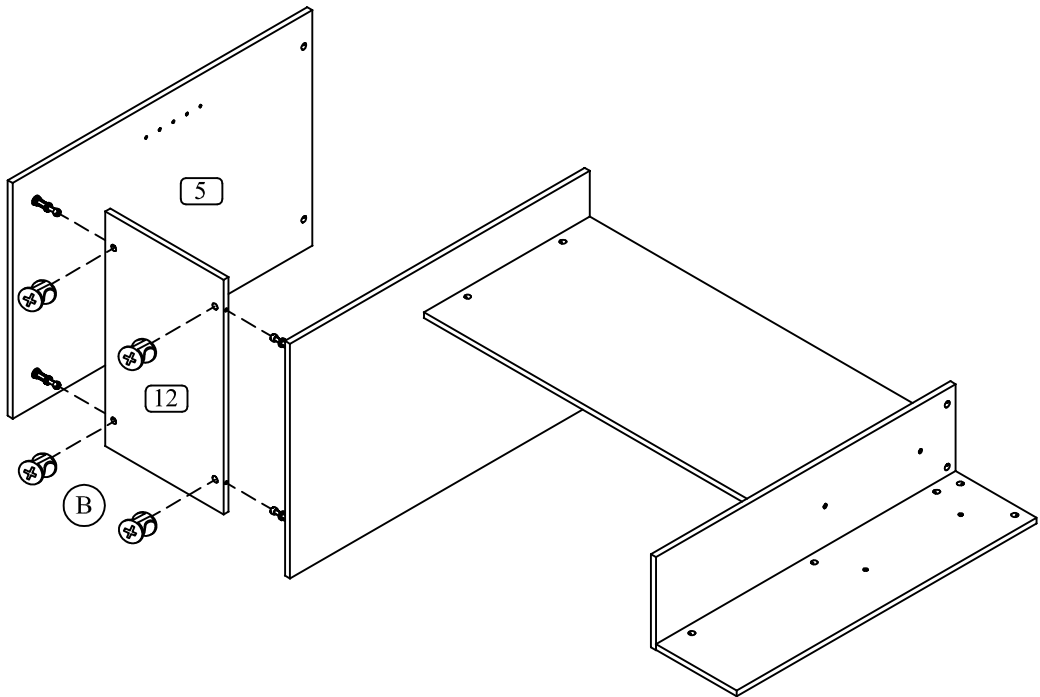
B = 4 x

C = 4 x

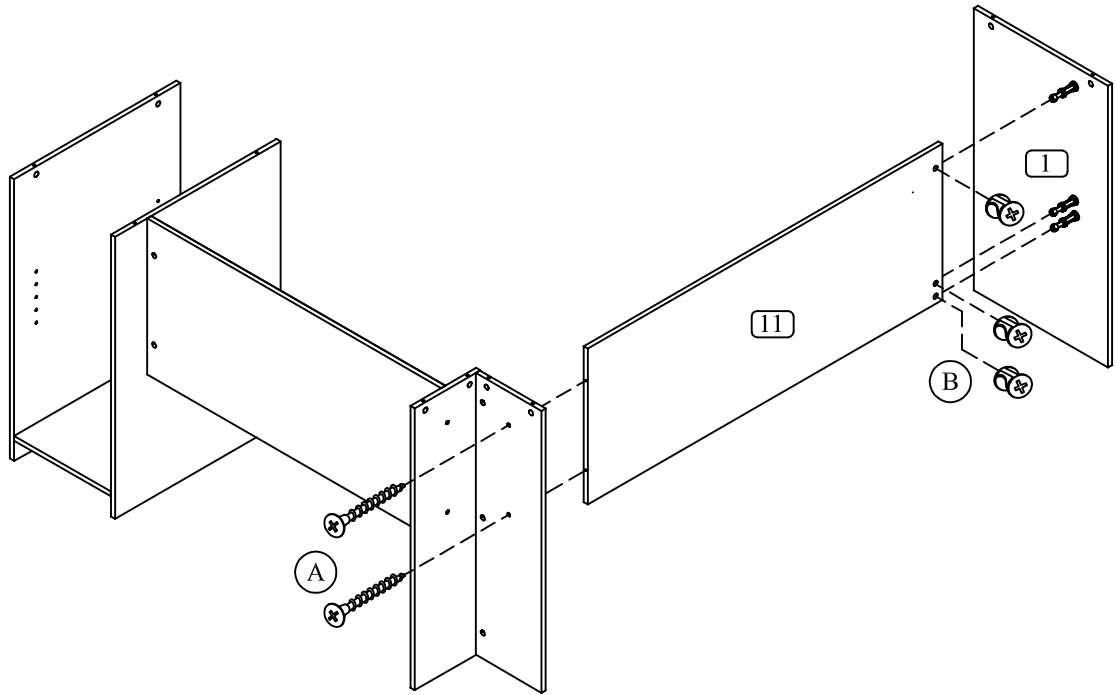
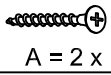


4

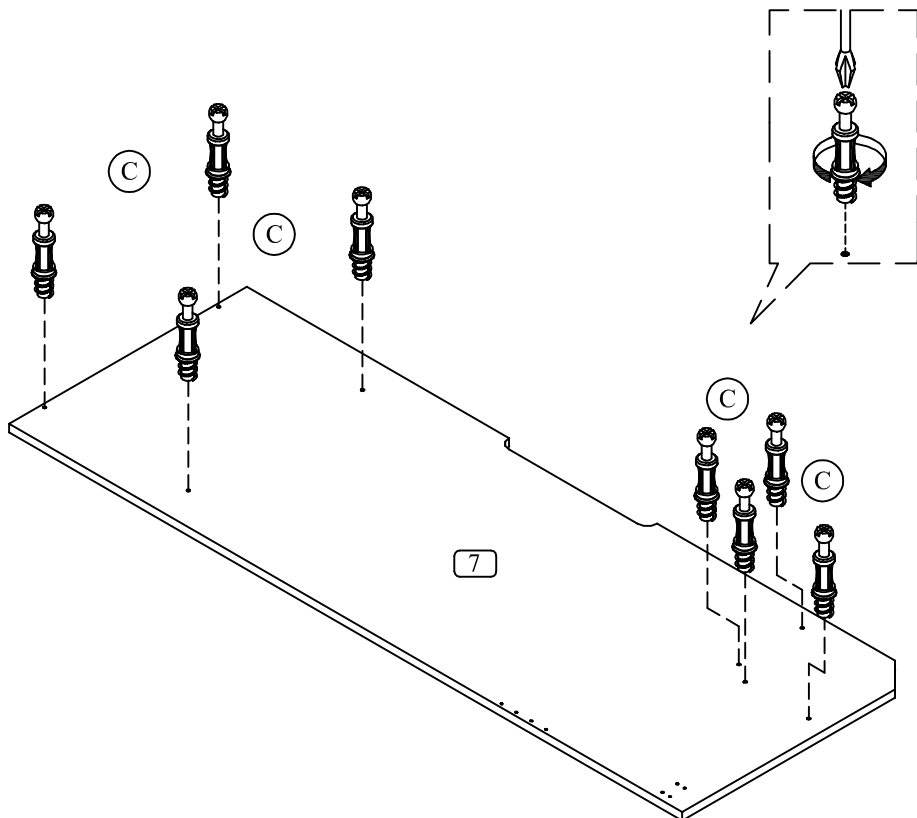
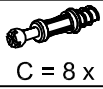
B = 4 x



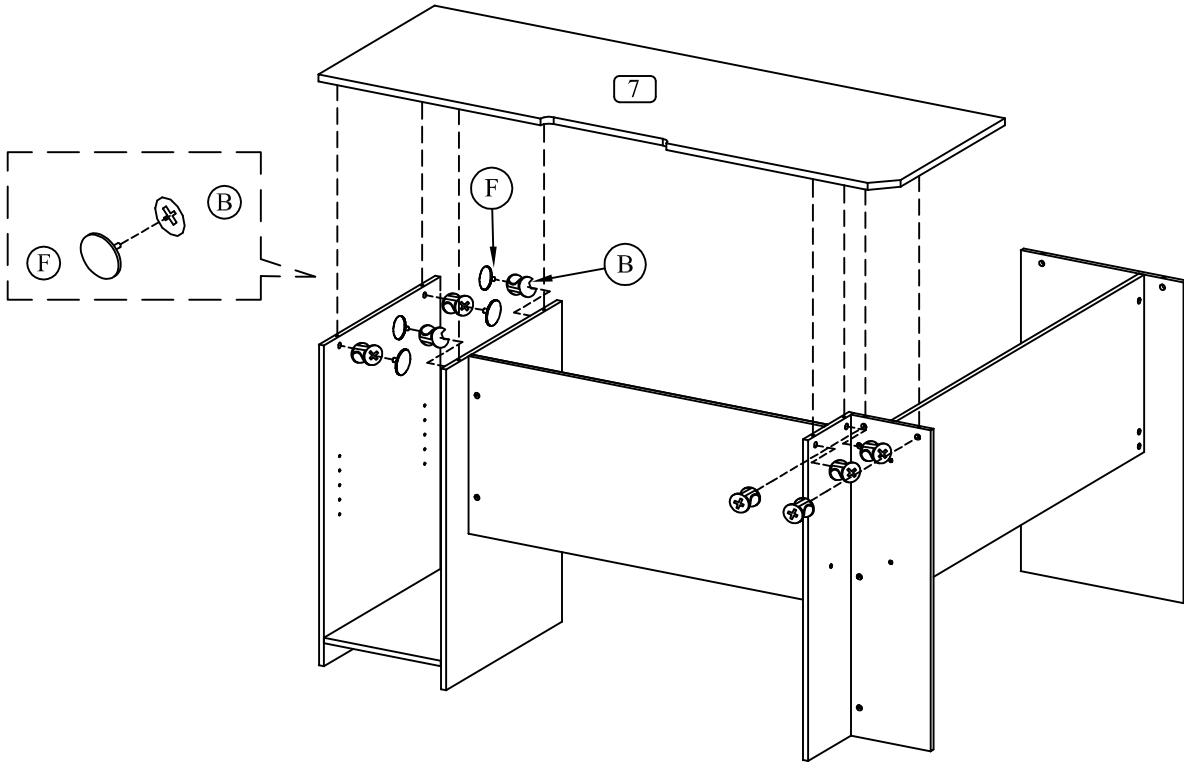
5



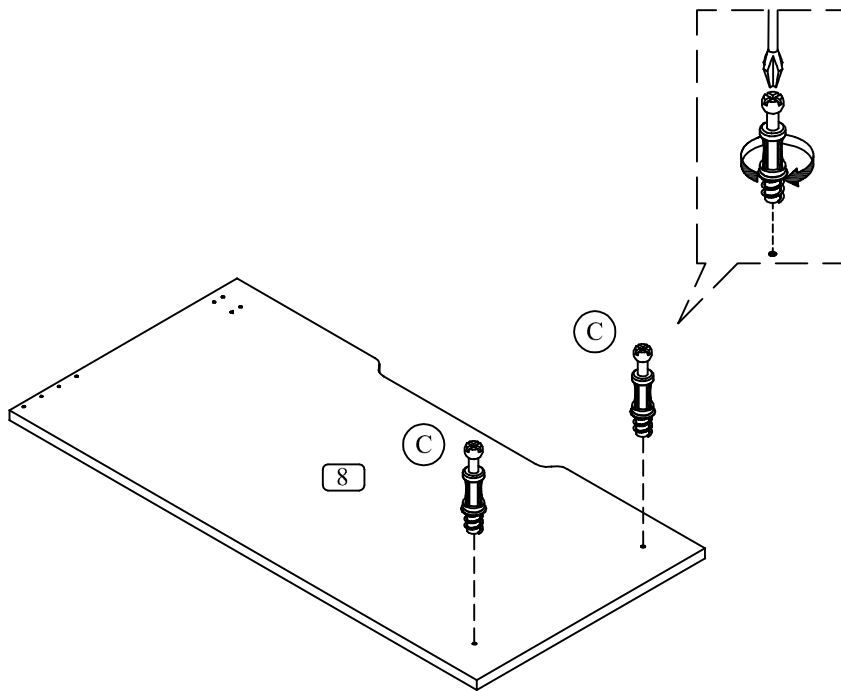
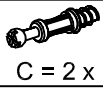
6



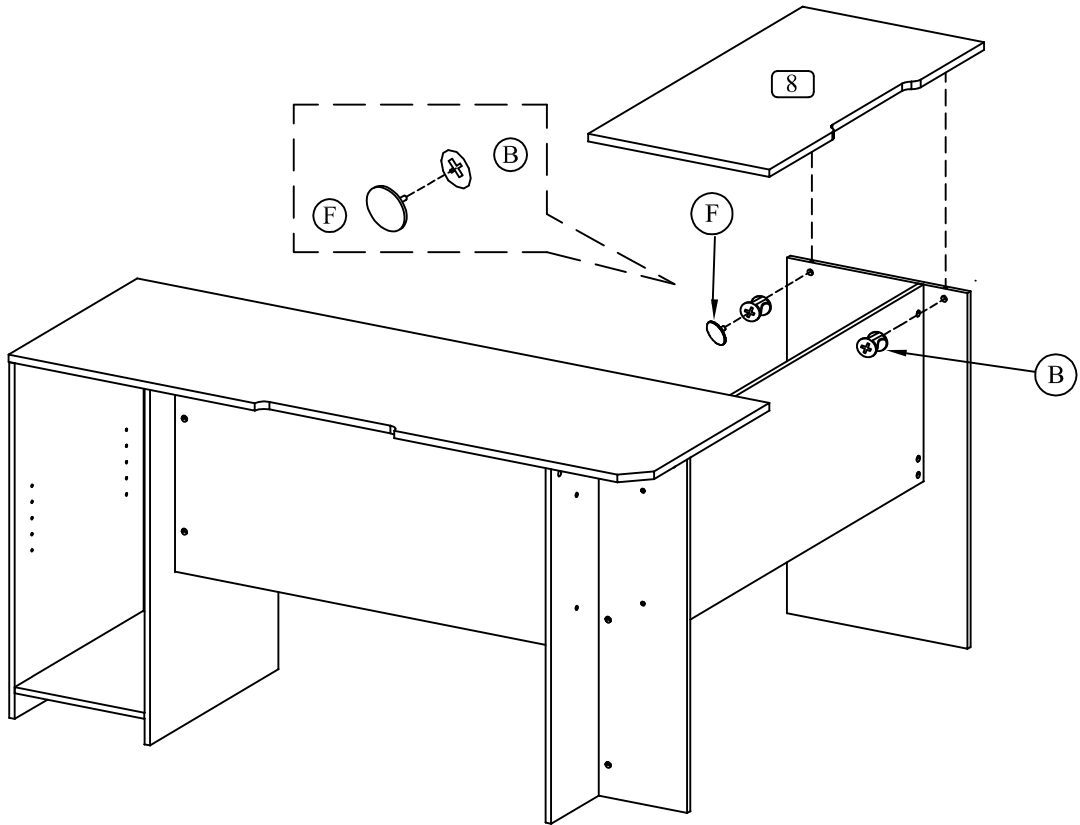
7



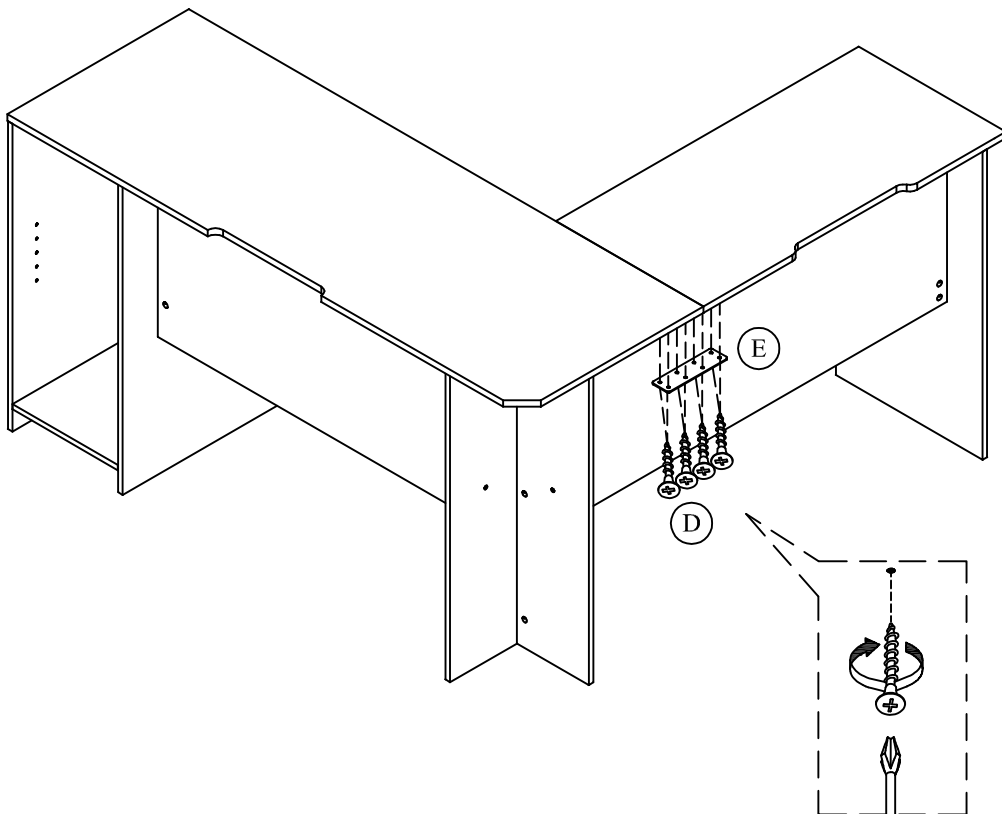
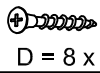
8



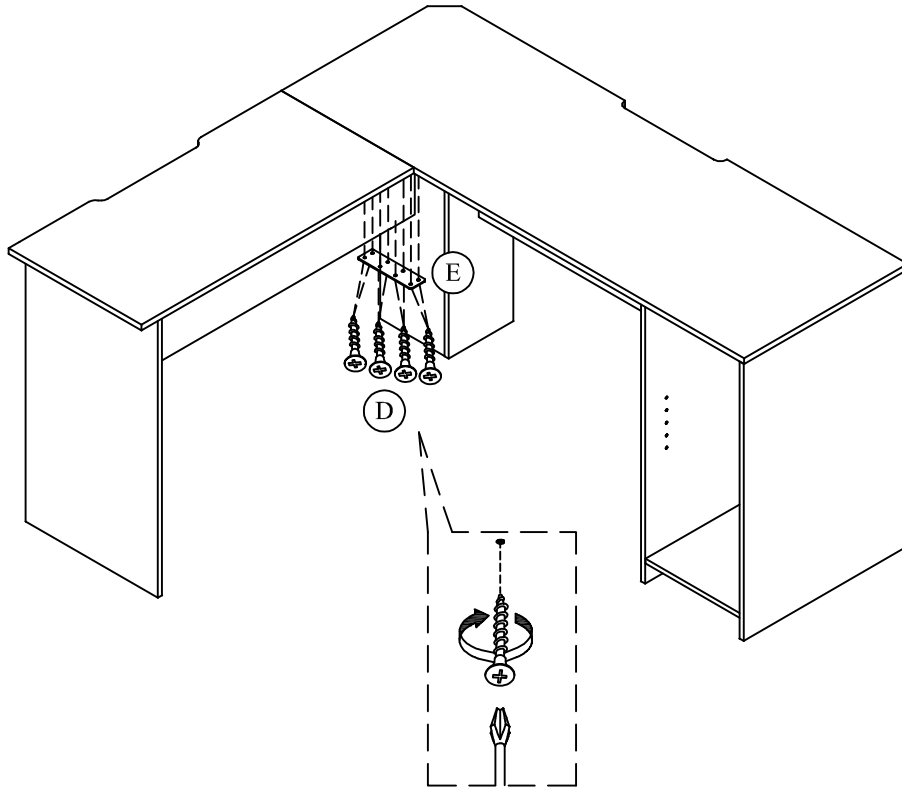
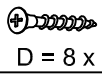
9



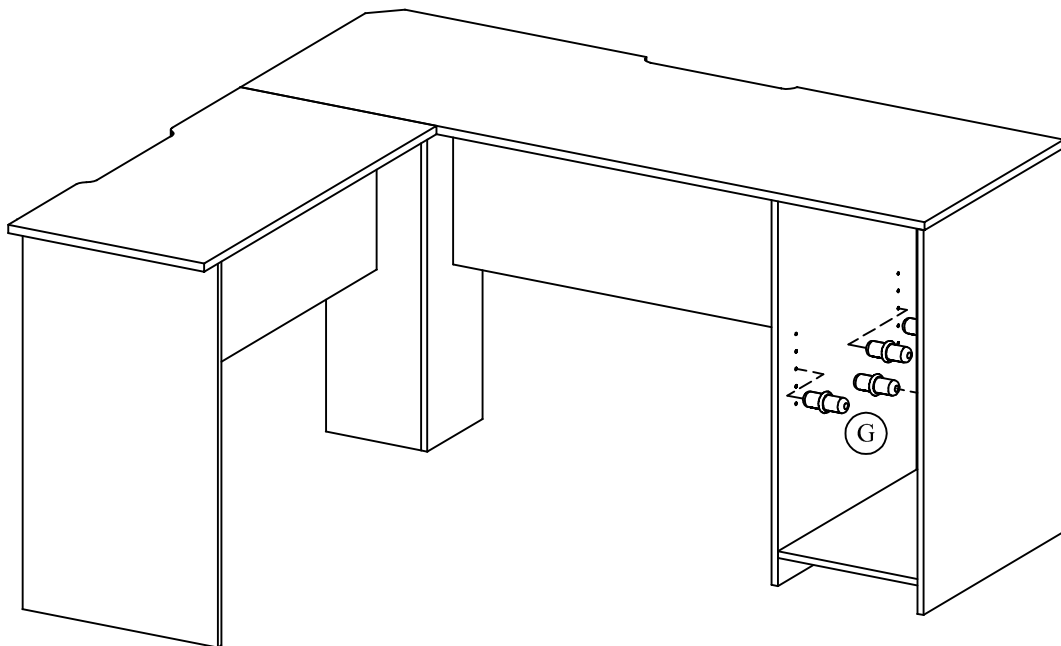
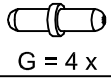
10



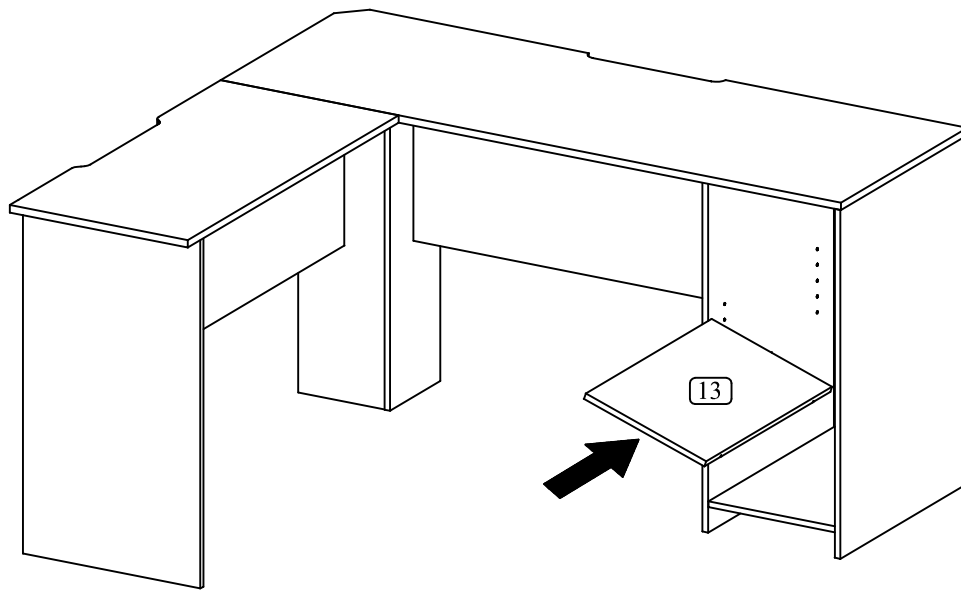
11



12



13



14

