

AFTERSALE SERVICE

Dear customer,

Thank you so much for purchasing the product from us, we really appreciate your support.

We are aimed to provide the best shopping experience to our customers. We also want to build a mutually beneficial relationship with our customers, and step further to make our brand both reliable, responsible and recommendable.

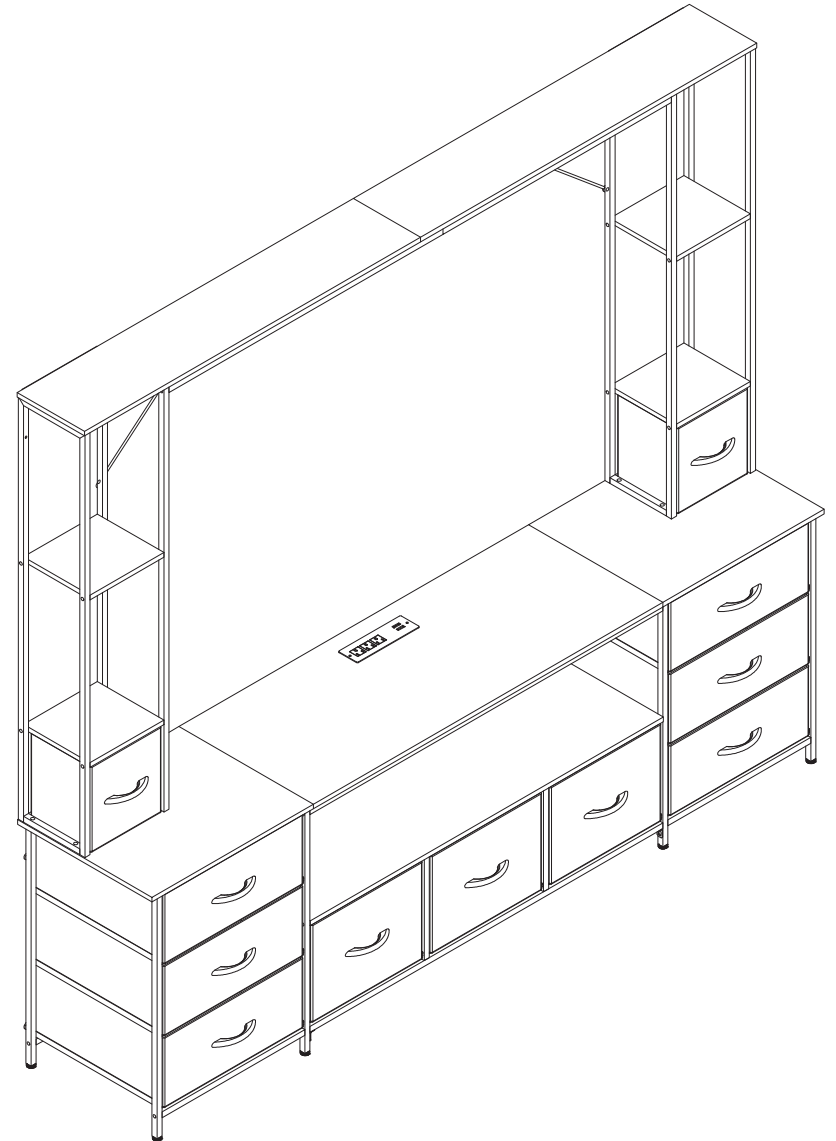
We hope that our products could meet your needs and expectations, please consider us again if you need more products for your home and kitchen.

The package would be out of our control during shipping, please contact us through your purchasing channel directly if there is anything wrong with the box or contents. We are always here offering you our service.

We will reply your messages within 24 hours, please kindly wait for the response from our professional service team.

Your comfort and contentment are of utmost importance.

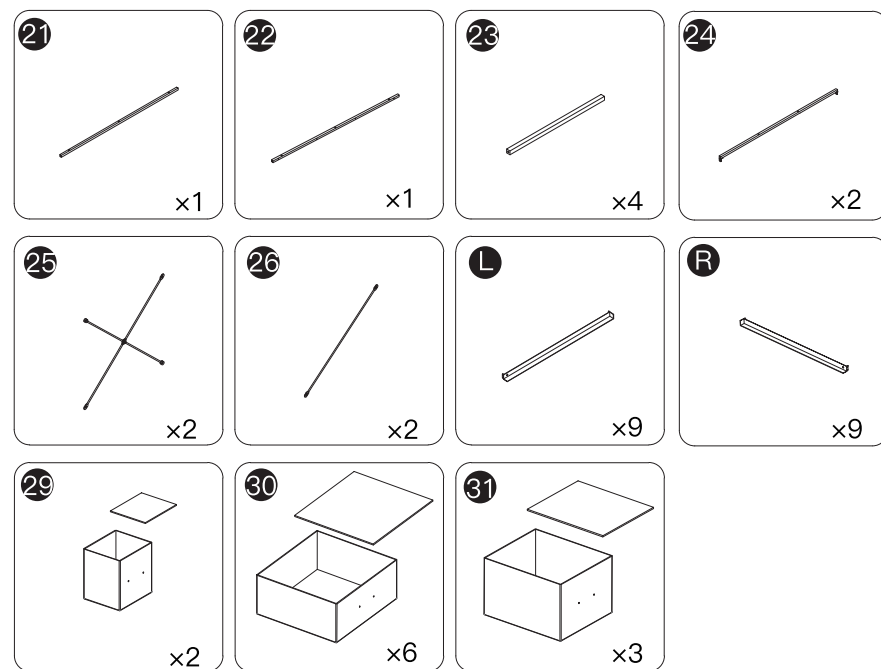
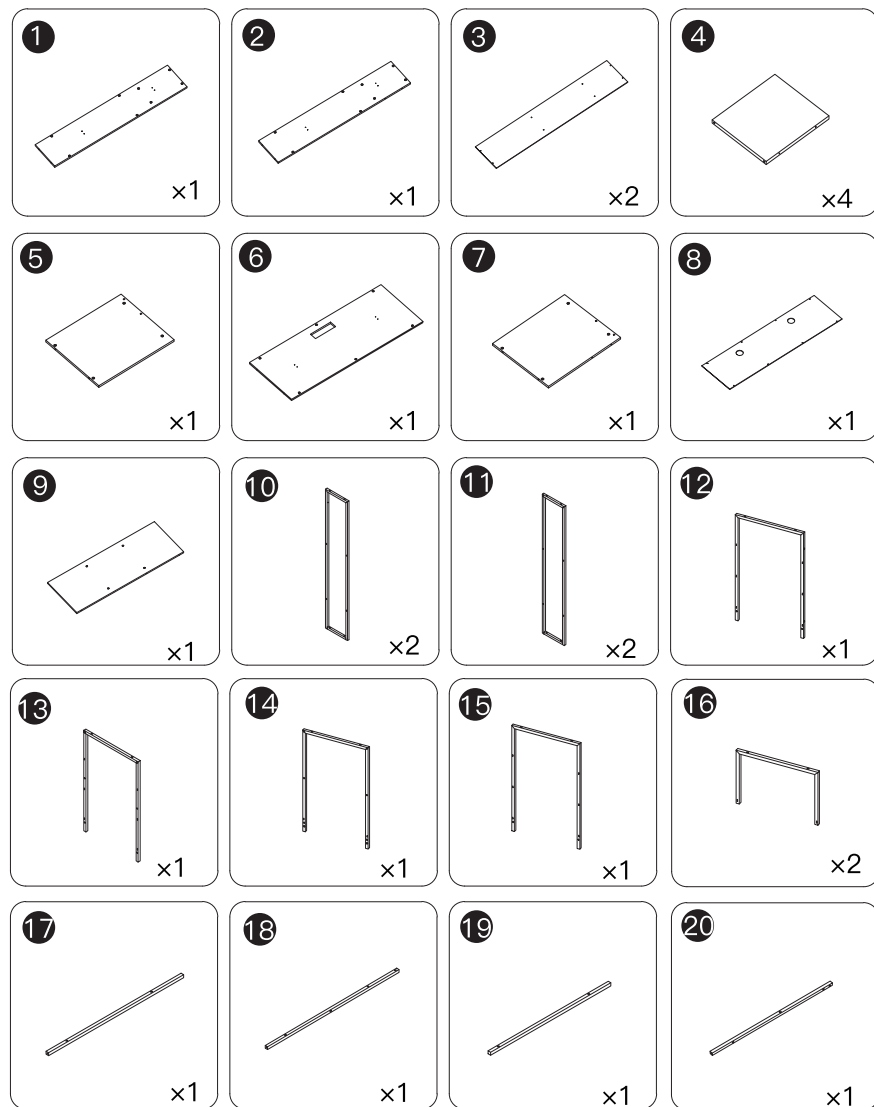
Best Regards,
Customer Care Specialist

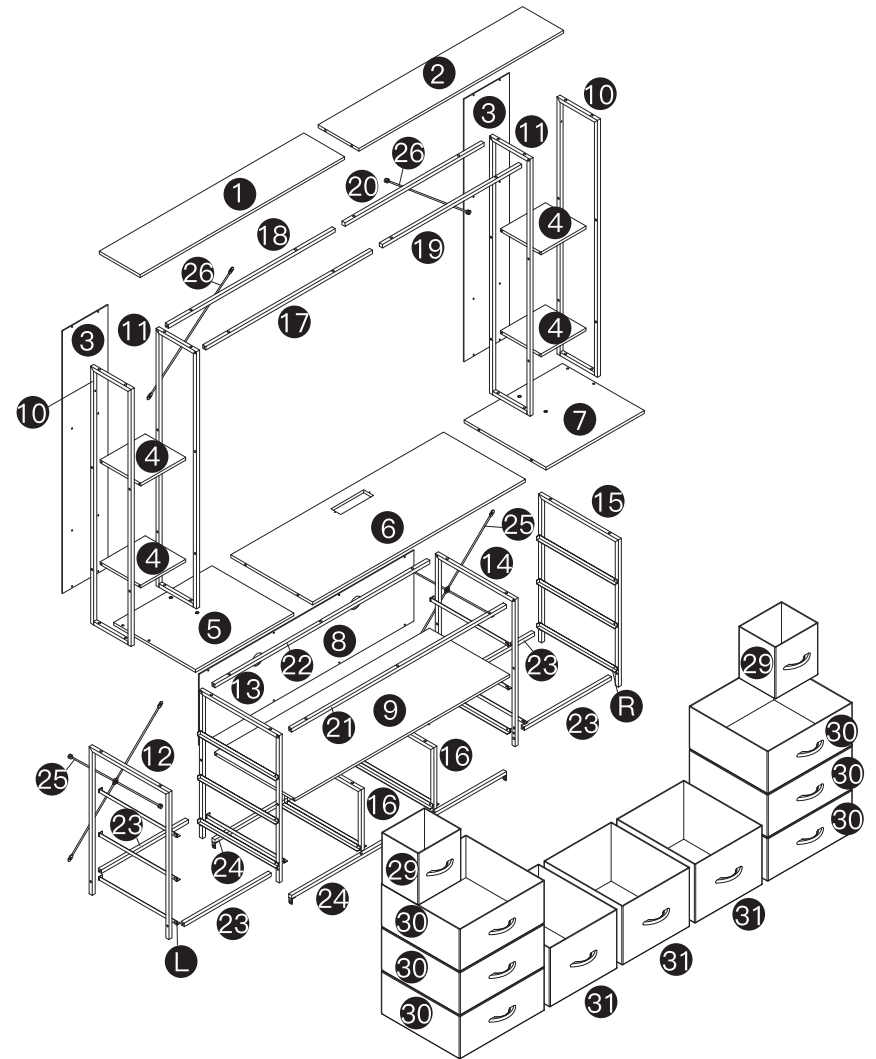
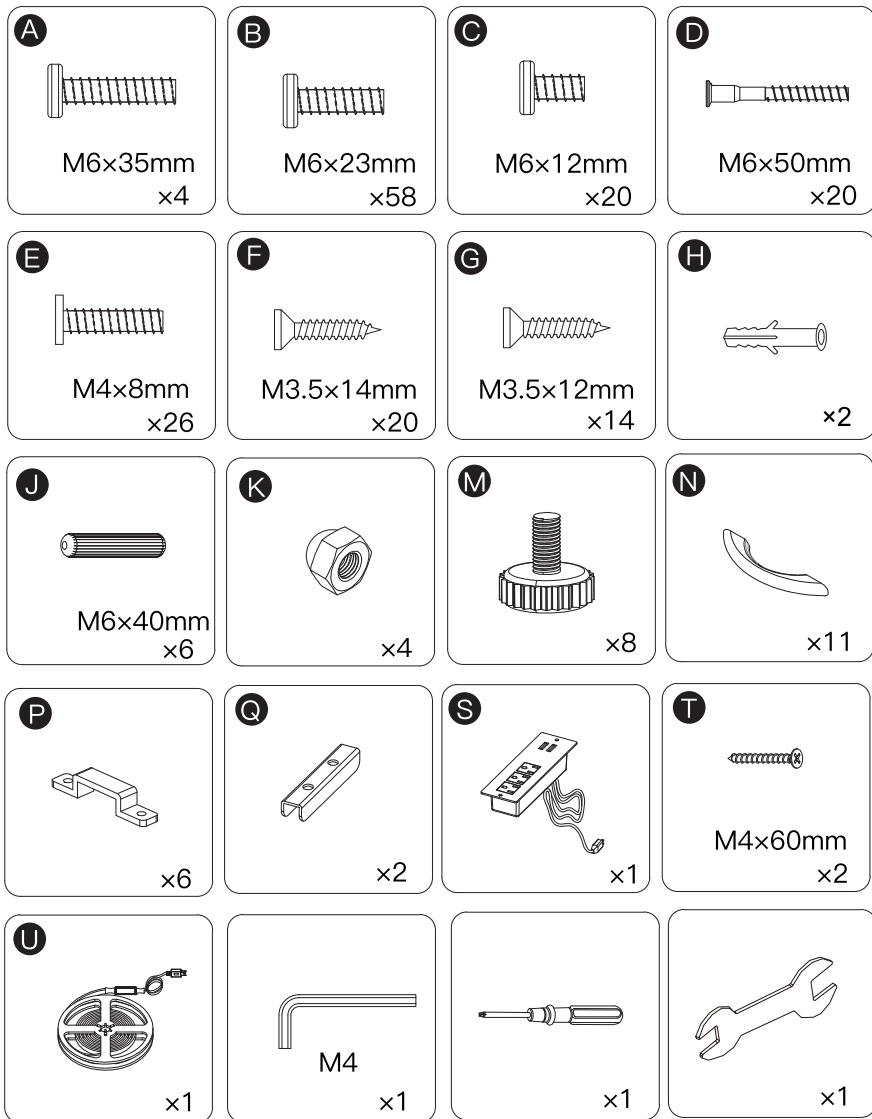


Please check all parts and accessories according to the parts list before assembling, make sure all contents are sufficient and in good condition.

If there is any parts missing or defective, please contact us immediately with purchase platform message to get replacement parts.

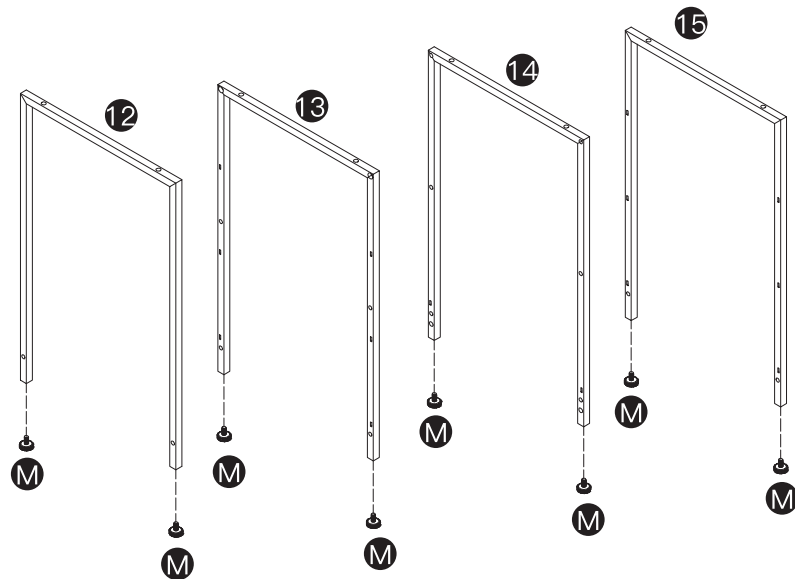
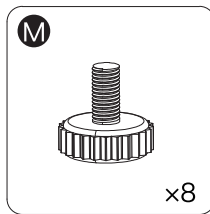
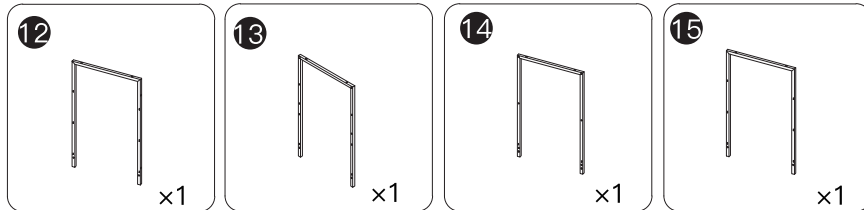
PARTS:



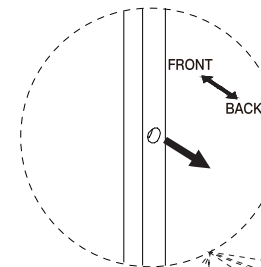
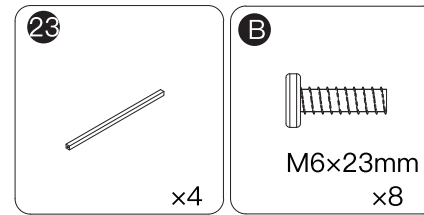


HOW TO INSTALL

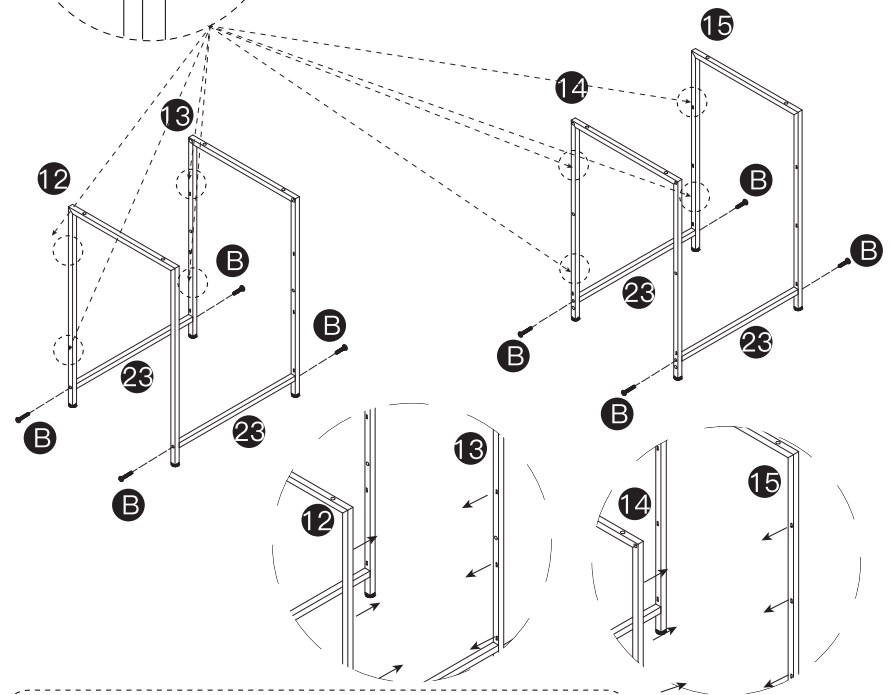
Step 1 Install part **M** under part **12** & **13** & **14** & **15**.



Step 2 Connect part **12** & **13**, **14** & **15** with part **23** and use part **B** to screw them.



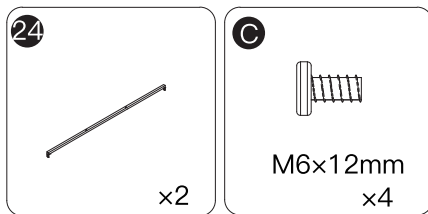
NOTICE:
Make sure the specific side of part **12** & **13** & **14** & **15** faces backwards.



NOTICE:
Make sure holes of part **12** & **13** as well as part **14** & **15** are facing inwards.

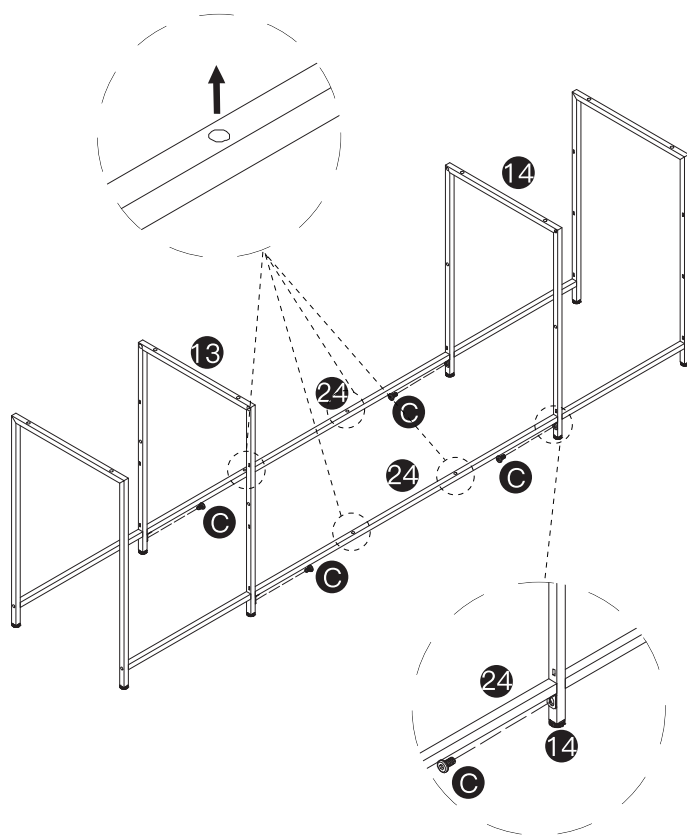
Step 3

Connect part 13 & 14 with part 24 and use part C to screw them.



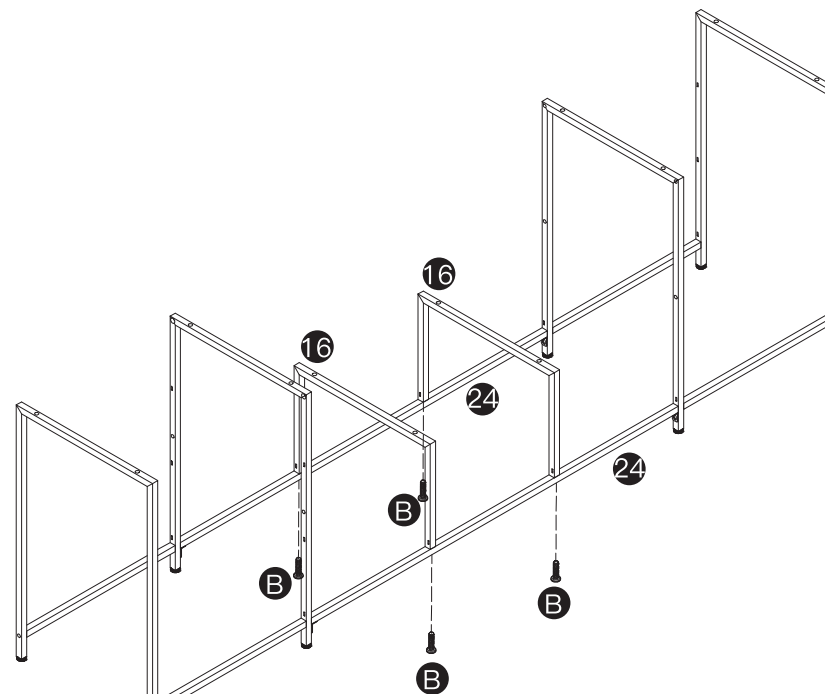
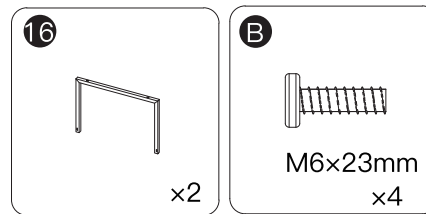
NOTICE:

Make sure the holes in part 24 are facing upwards.



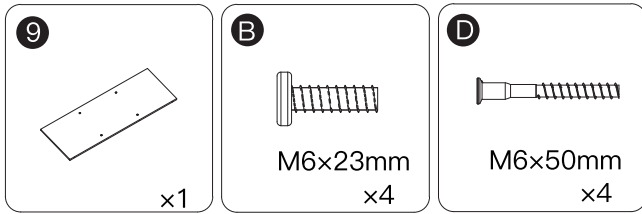
Step 4

Connect part 16 & 24, use part B to screw them.

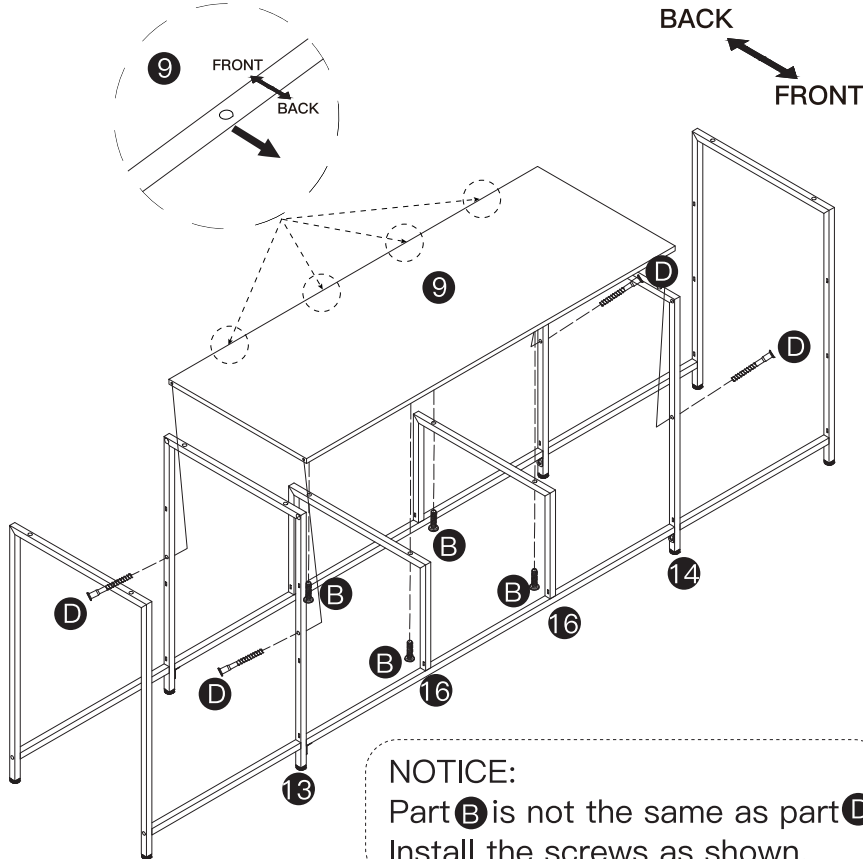


Step 5

Install part 9 on part 13 & 14 & 16, use part D and B to screw them.

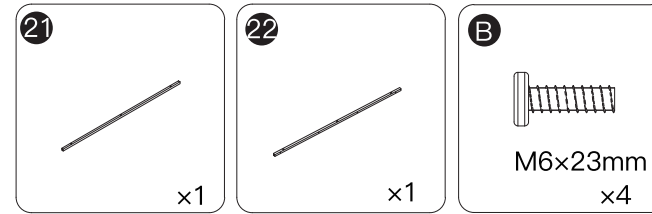


NOTICE:
Make sure holes of part 9 are facing backwards.

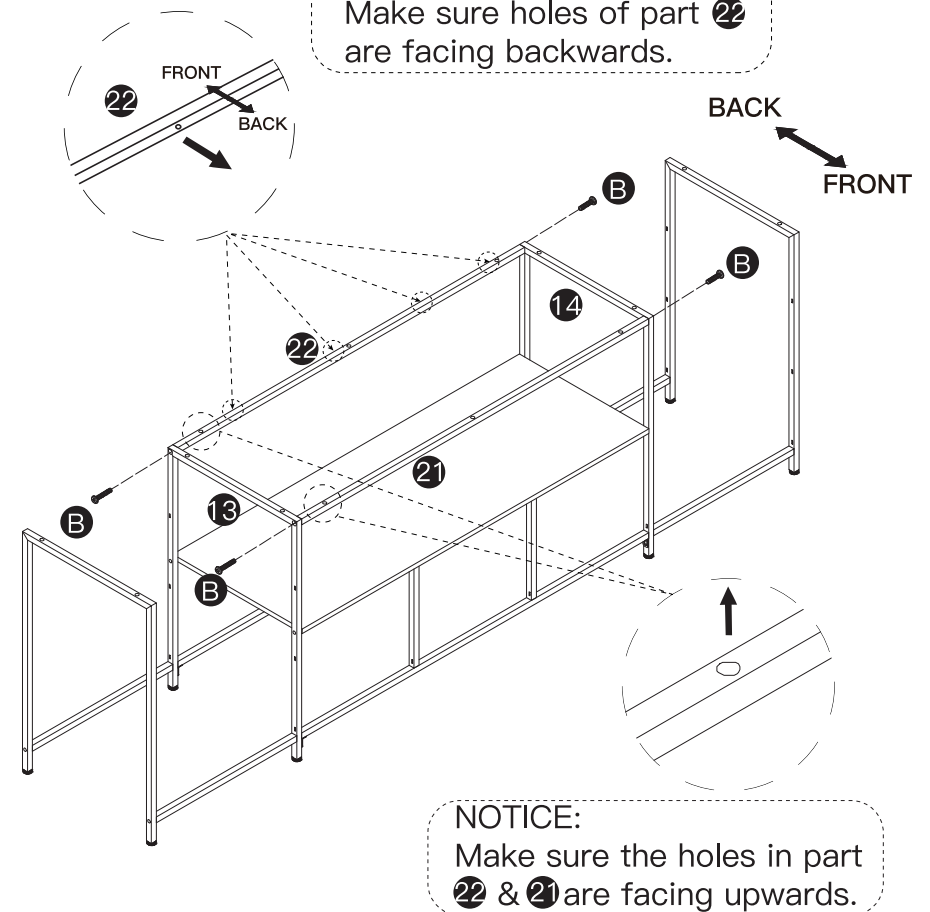


Step 6

Connect part 13 and 14 with part 21 & 22, use part B to screw them.

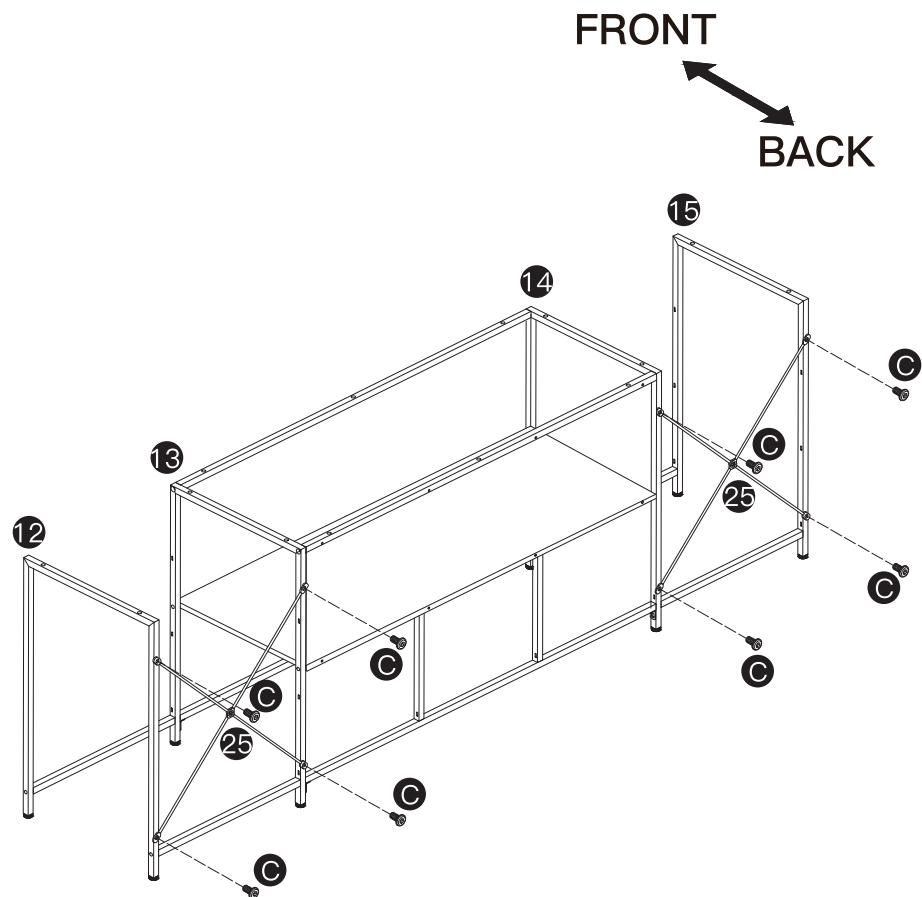
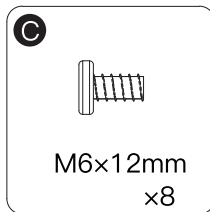
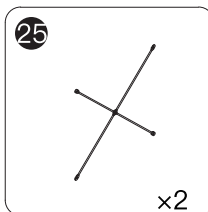


NOTICE:
Make sure holes of part 22 are facing backwards.



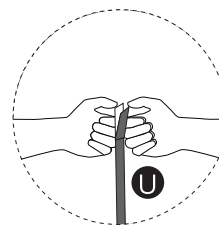
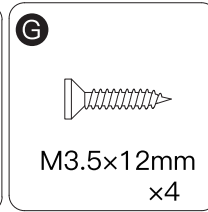
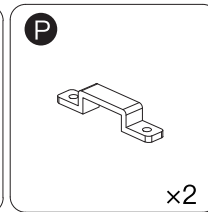
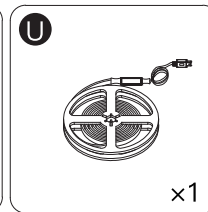
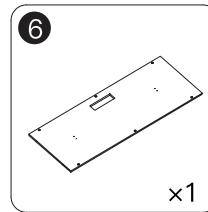
Step 7

Install part 25 on part 12 & 13, 14 & 15, use part C to screw them.



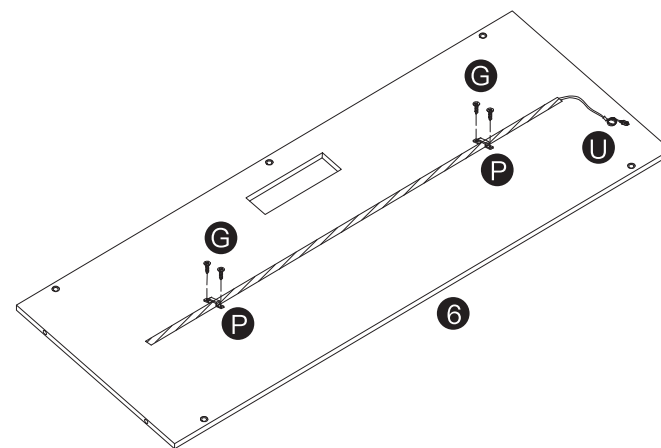
Step 8

Install part U on part 6 with part P and use part G to screw them.



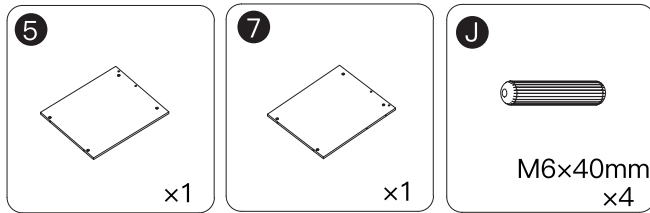
NOTICE:

Please remove the tape from the back of part U firstly.



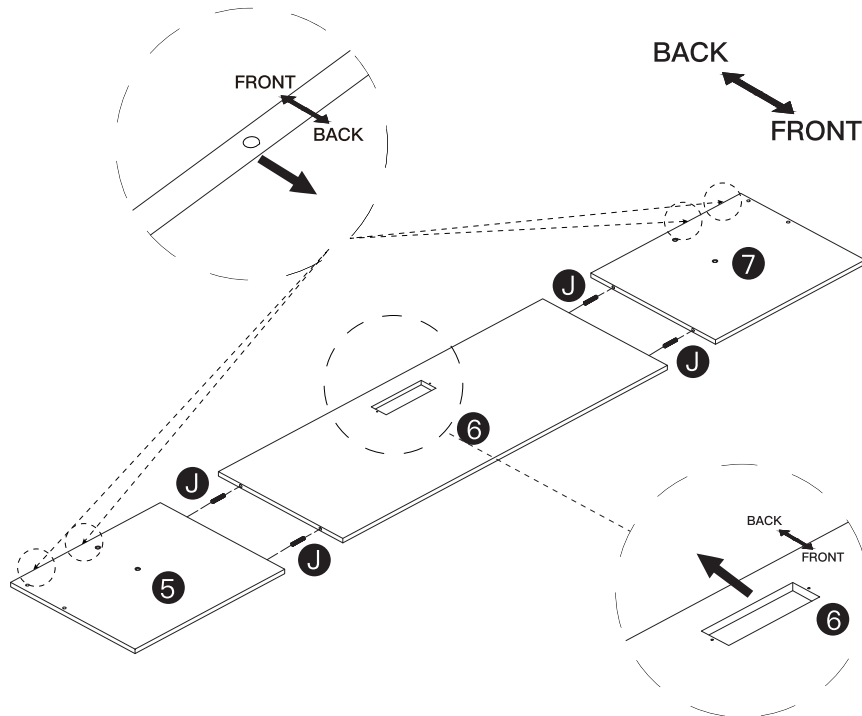
Step 9

Connect part 5, 6 and 7 with part J.



NOTICE:

Make sure the hole of part 5 & 7 are facing backwards.

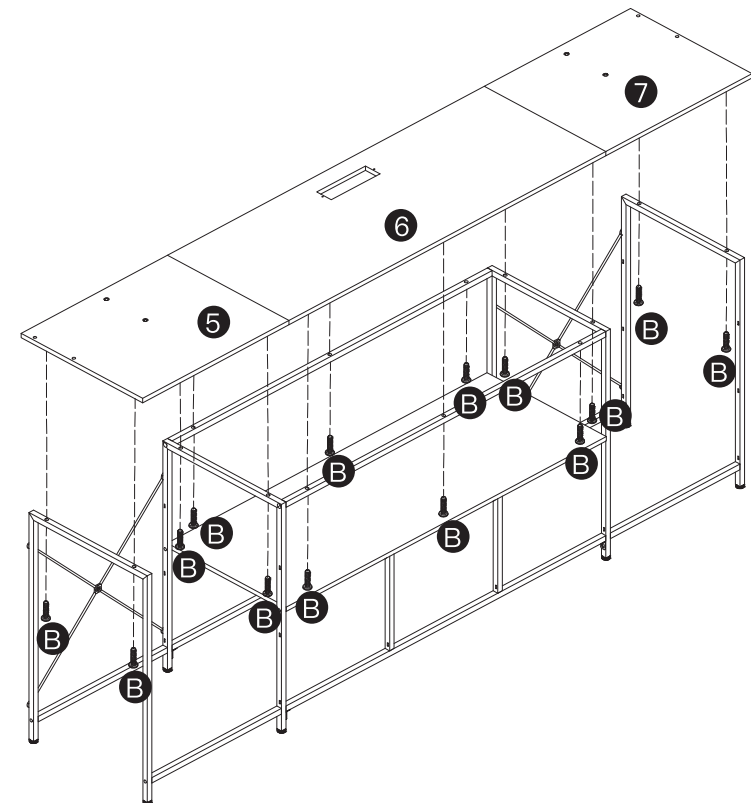
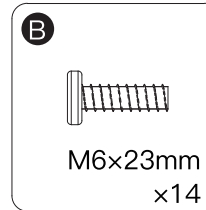


NOTICE:

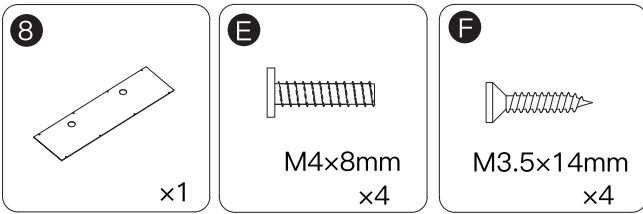
Make sure that the square of part 6 are facing backwards.

Step 10

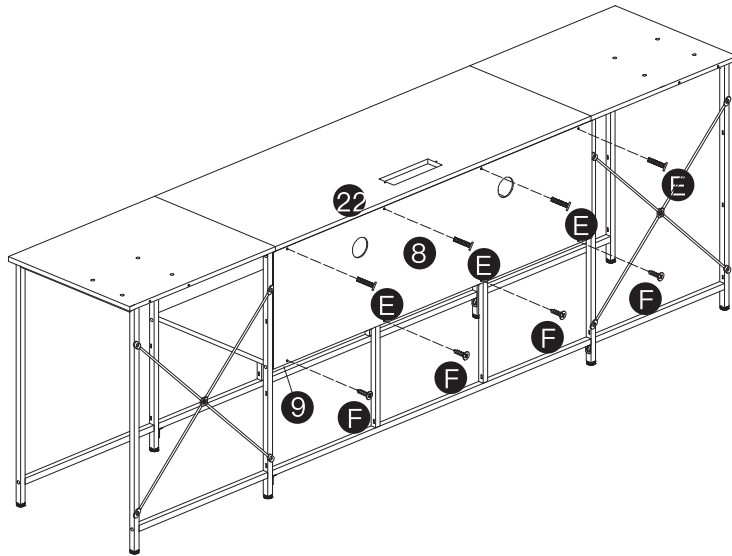
Install part 5, 6 and 7 on the frame, use part B to screw them.



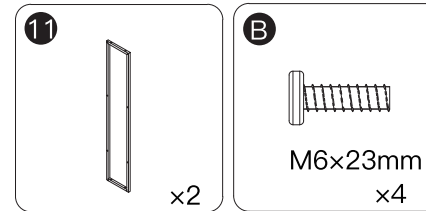
Step 11 Install part **8** on part **9** & **22**, use part **E** & **F** to screw them.



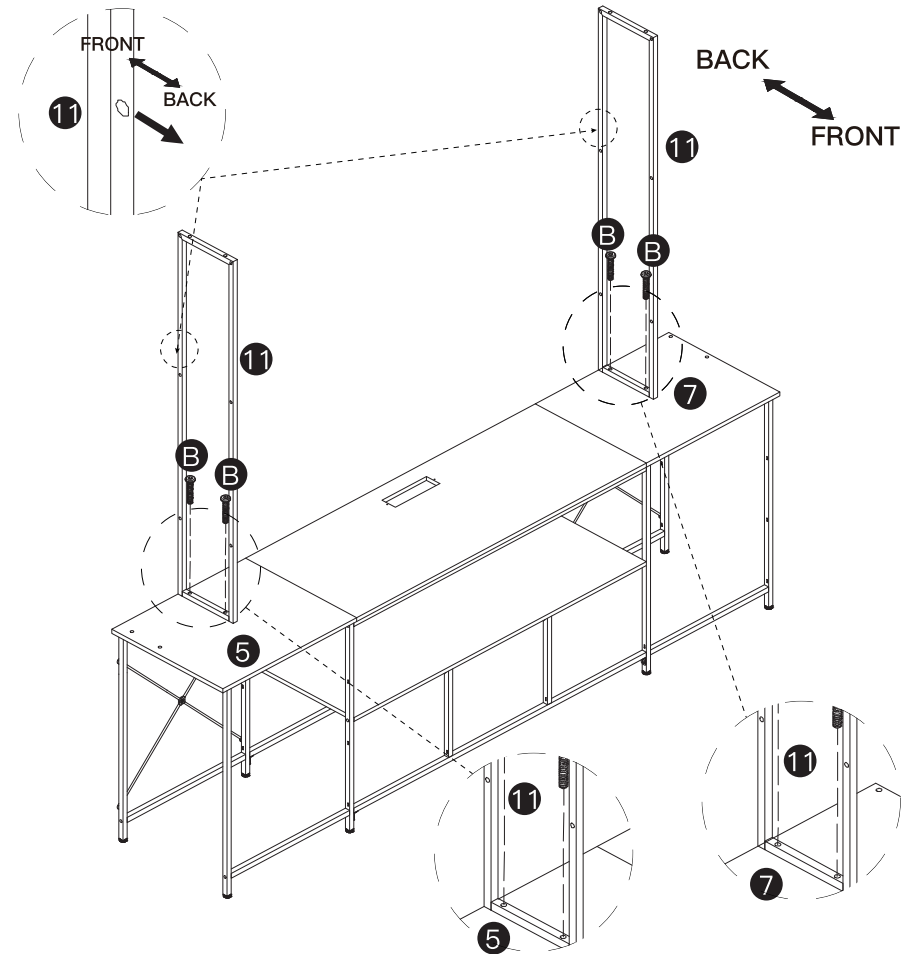
NOTICE:
Part **E** is not the same as part **F**.
Install the screws as shown.



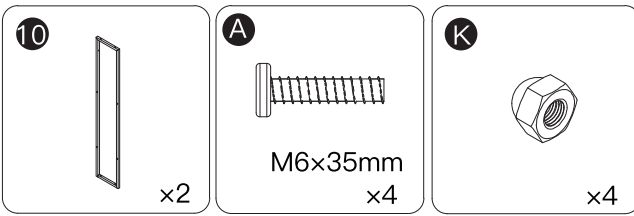
Step 12 Install part **11** on part **5** and **7**, use part **B** to screw them.



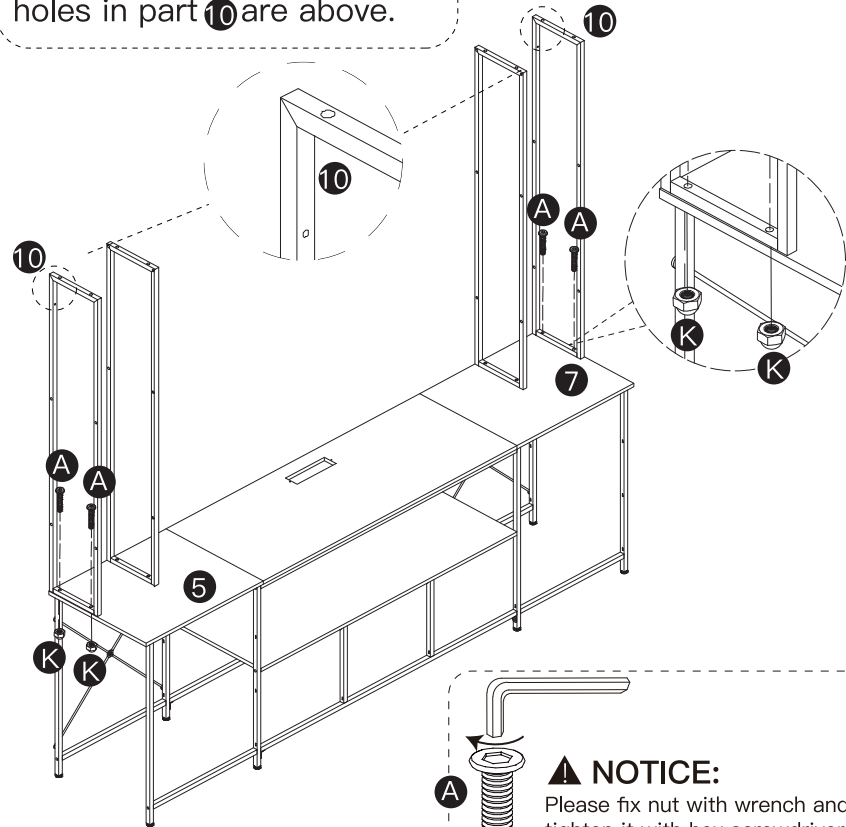
NOTICE:
Make sure holes of part **11** are facing backwards.



Step 13 Install part 10 on part 5 and 7, with part K use part A to screw them.

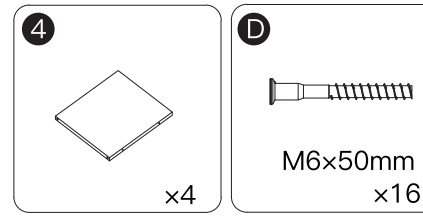


NOTICE:
Make sure the two adjacent holes in part 10 are above.

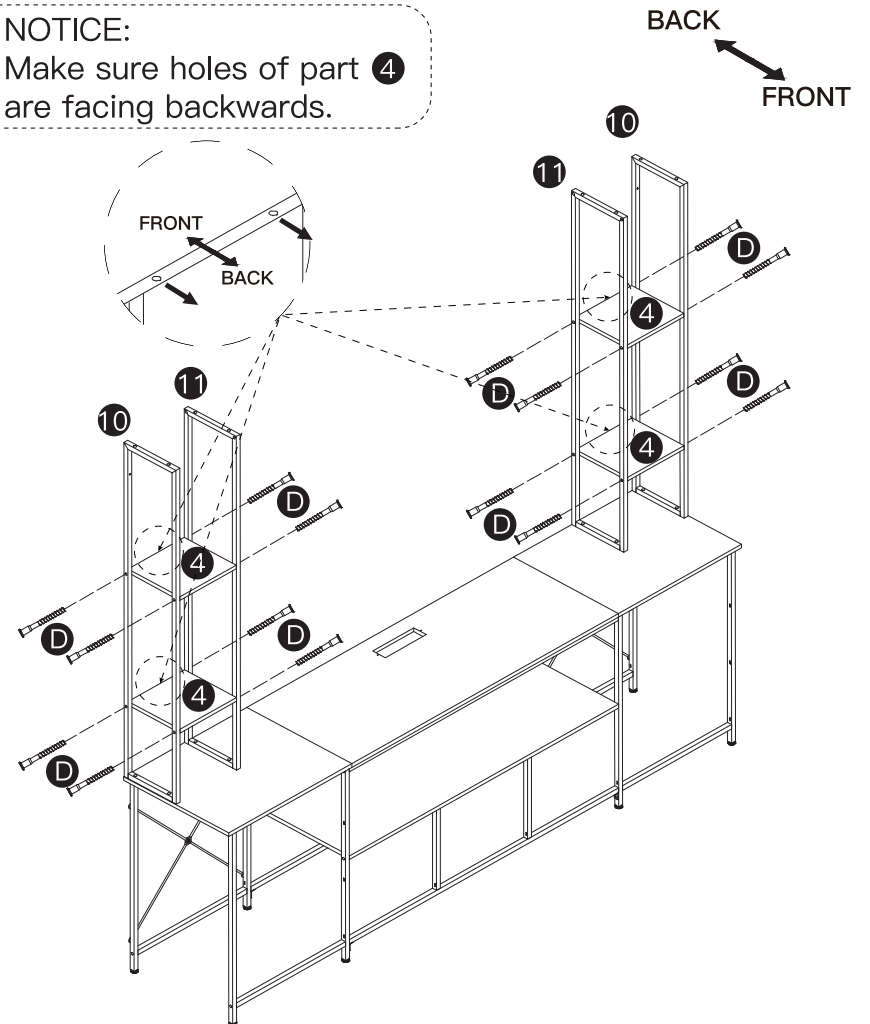


NOTICE:
Please fix nut with wrench and tighten it with hex screwdriver.

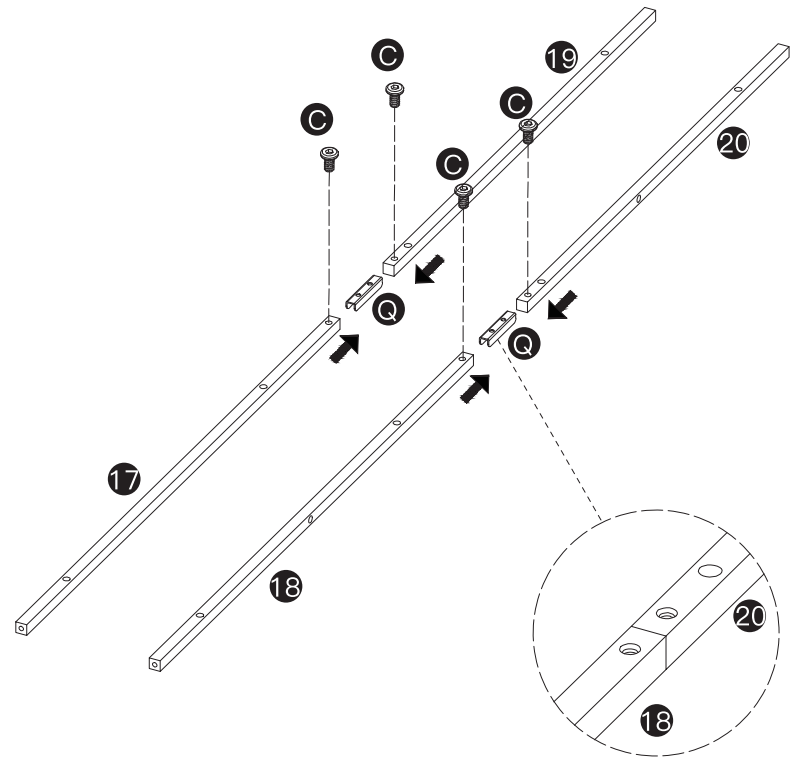
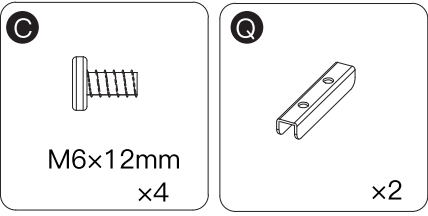
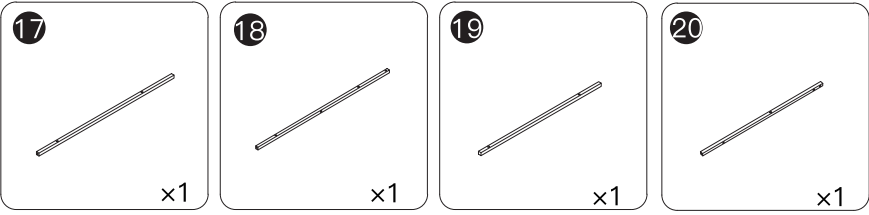
Step 14 Connect part 10 and 11 with part 4, use part D to screw them.



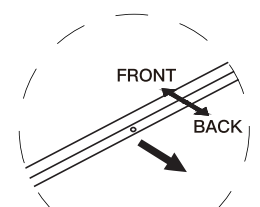
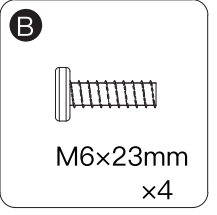
NOTICE:
Make sure holes of part 4 are facing backwards.



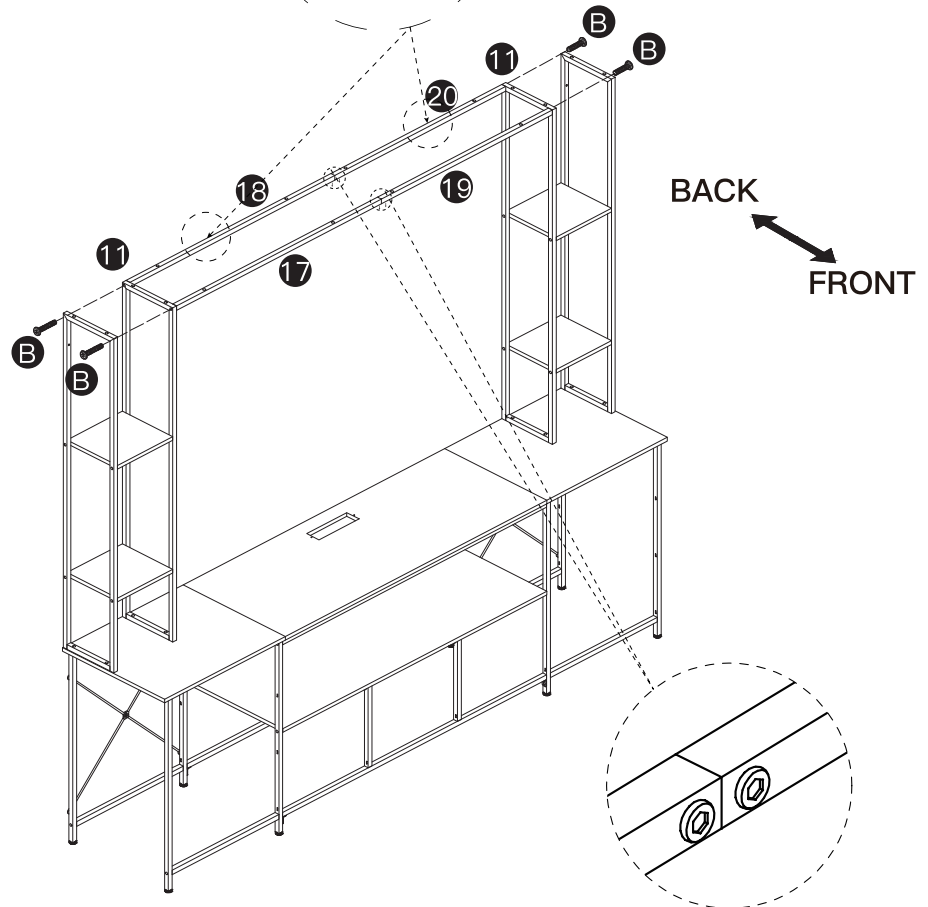
Step 15 Connect part 17 & 19, 18 & 20 with part Q, use part C to screw them.



Step 16 Connect part 11 with part 17 & 18 & 19 & 20, use part B to screw them.

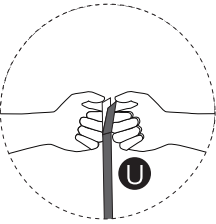
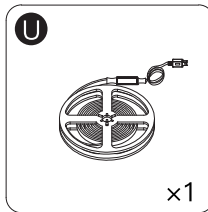
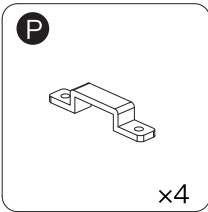
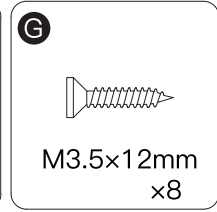
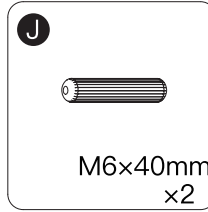
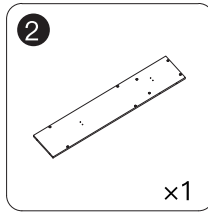
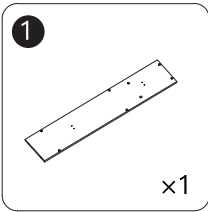


NOTICE:
Make sure holes of part 18 & 20 are facing backwards.

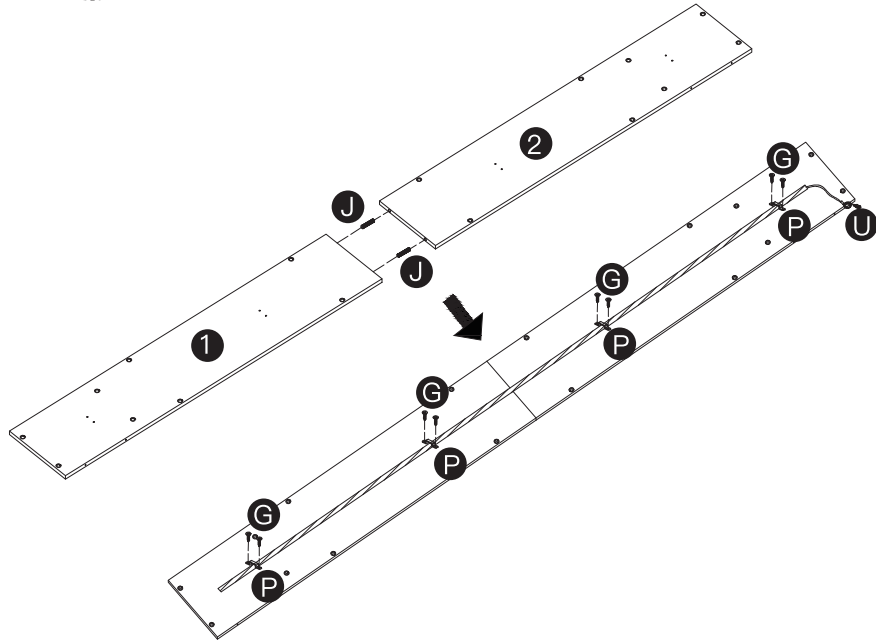


NOTICE:
Make sure the side with screws of part 17 & 18 & 19 & 20 are facing down.

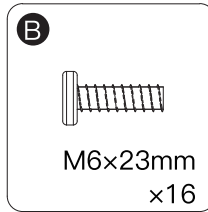
Step 17 Connect part ① and ② with ④. Install part ⑤ on part ① & ② with part ⑥, use part ⑦ to screw them.



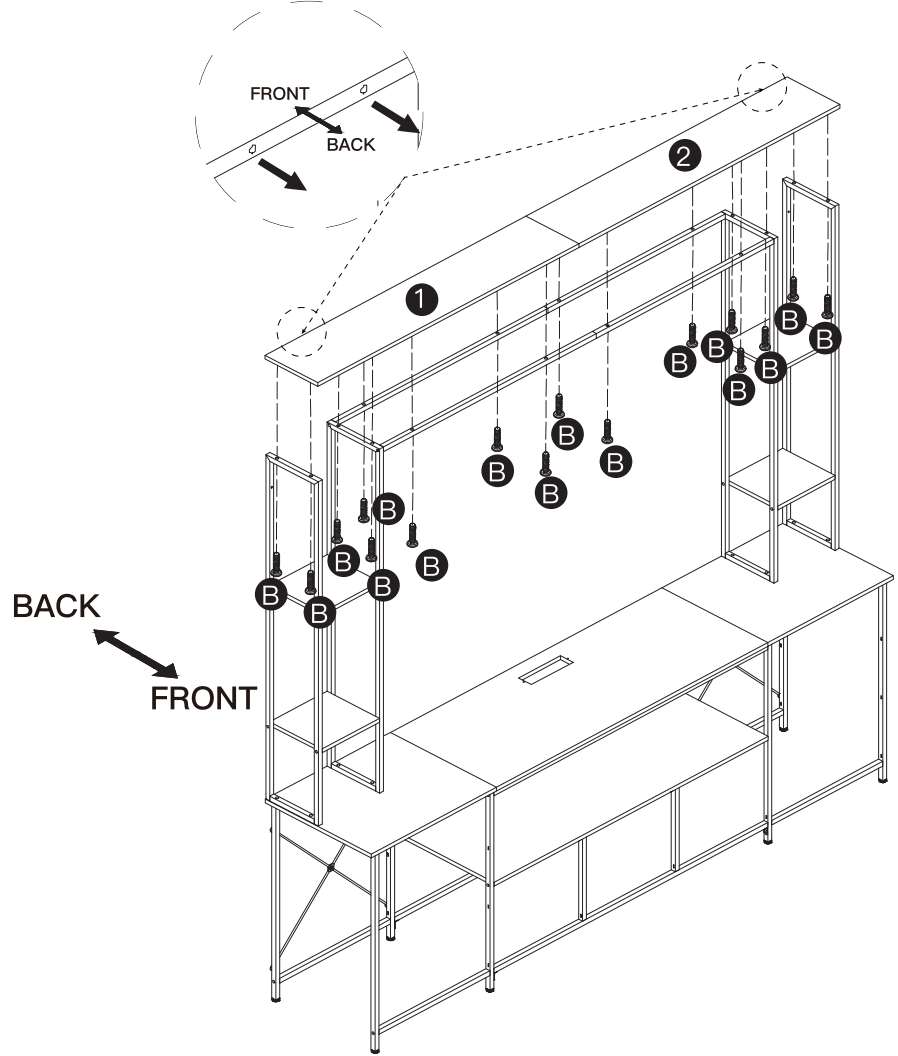
NOTICE:
Please remove the tape from the back of part ⑤ firstly.



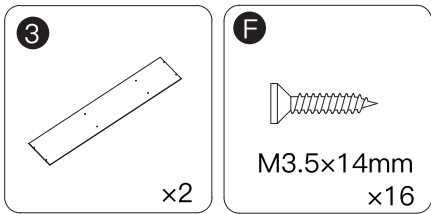
Step 18 Install part ① & ② on frame and use part ⑧ to screw them.



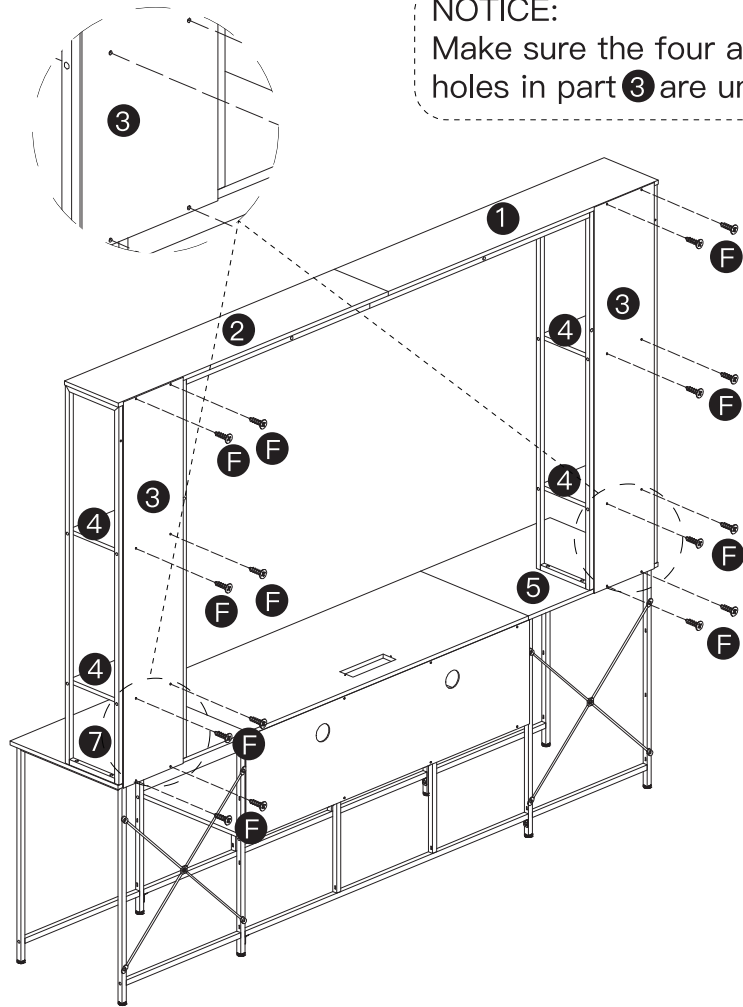
NOTICE:
Make sure holes of part ① & ② are facing backwards.



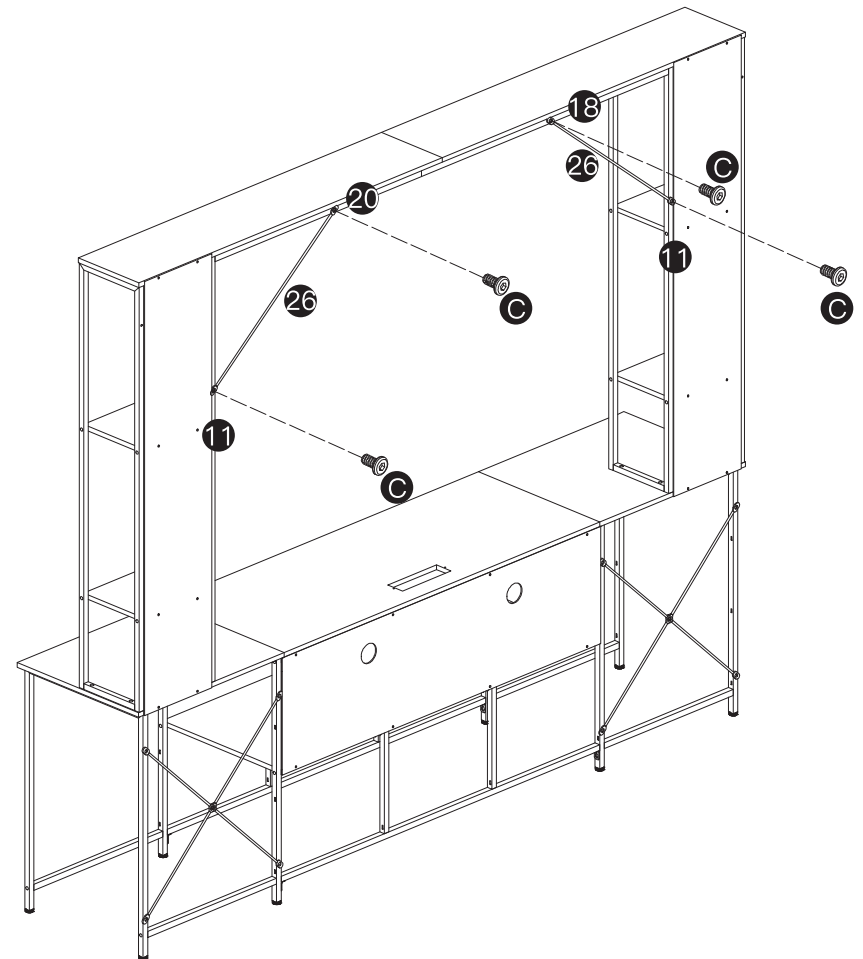
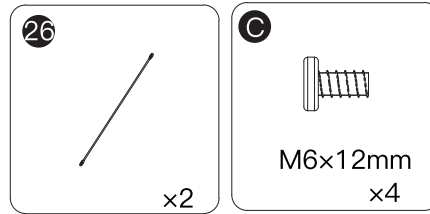
Step 19 Connect part ② & ④ & ⑦, ① & ④ & ⑤ with part ③, use part ① to screw them.



NOTICE:
 Make sure the four adjacent holes in part ③ are underneath.

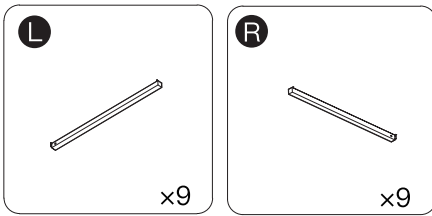


Step 20 Install part ②⑥ on part ②① & ①①, ①⑧ & ①① and use part ① to screw them.

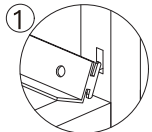
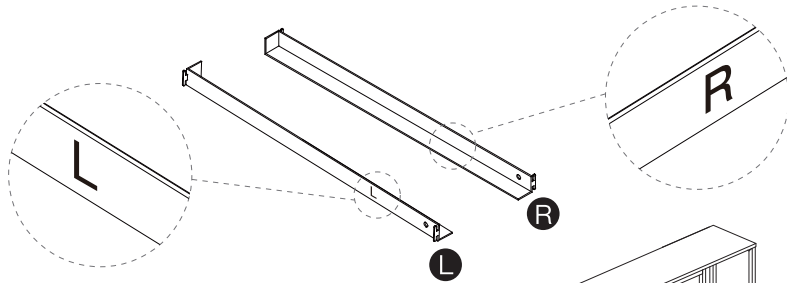


Step 21

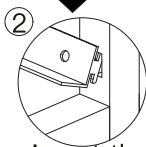
Install part **L** & **R** on the frame.



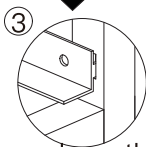
There's a corresponding **L** and **R** mark on each part located in a specified spot designed to distinguish them from each other easily.



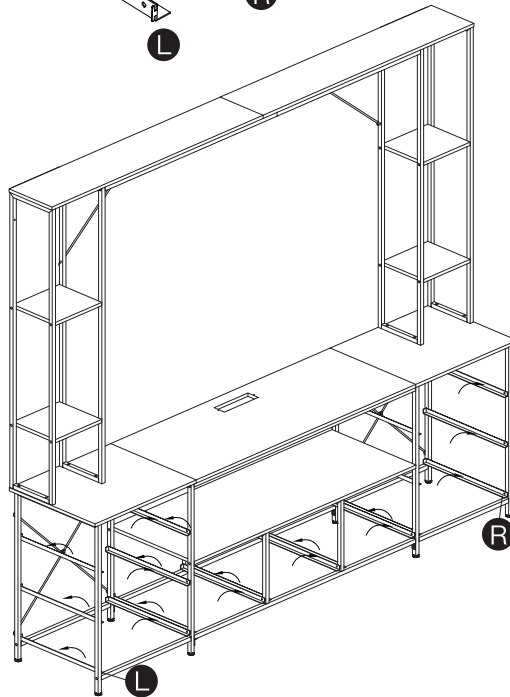
Insert the upper part into the square hole.



Then insert the rest horizontally.

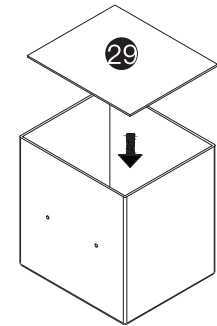
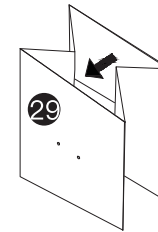
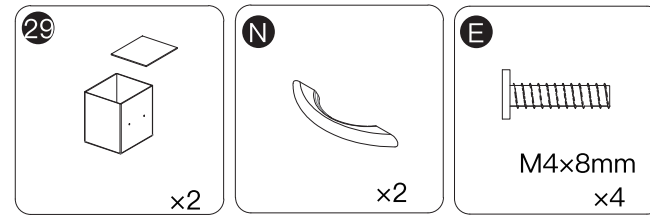


Press down the rail to ensure proper installation.

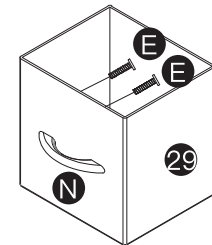
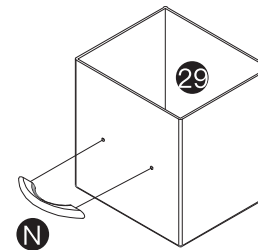


Step 22

Open the drawers (part **29**) and put part **29** inside, and install part **N** on the drawers with part **E**.

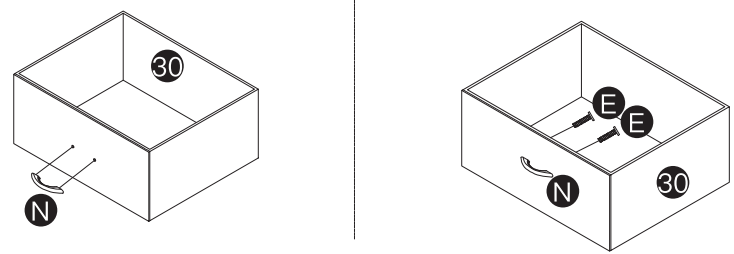
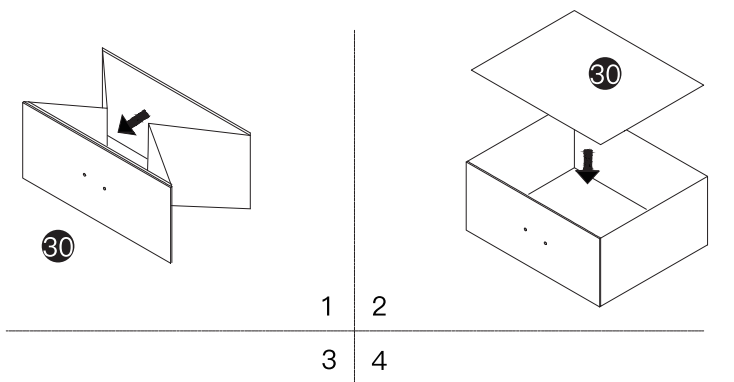
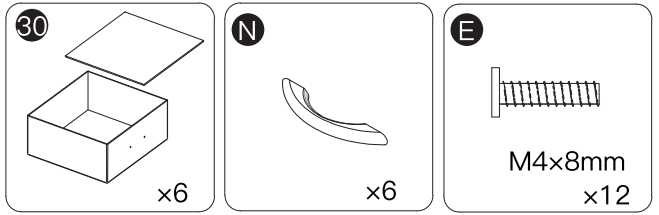


1 2
3 4



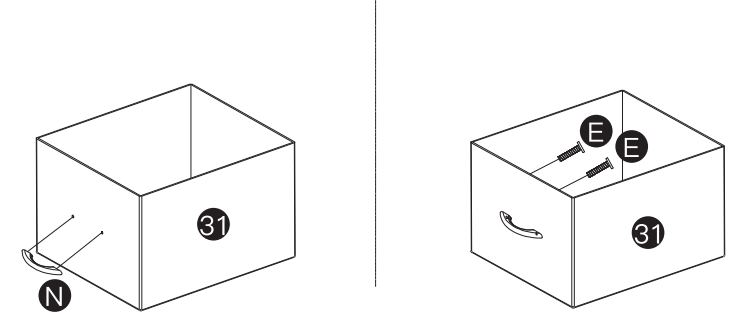
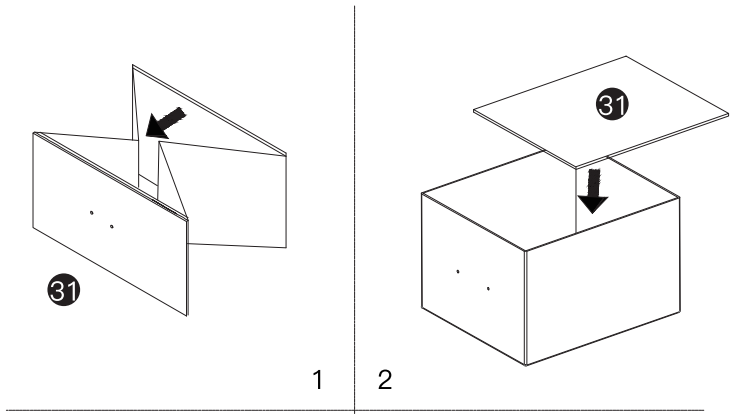
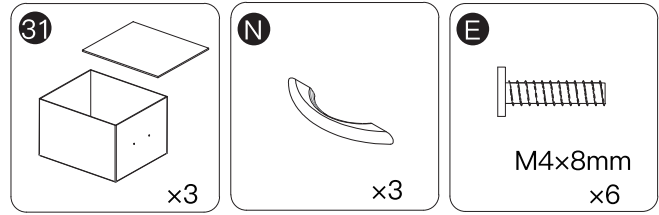
x2

Step 23 Open the drawers (part 30) and put part 30 inside, and install part N on the drawers with part E.



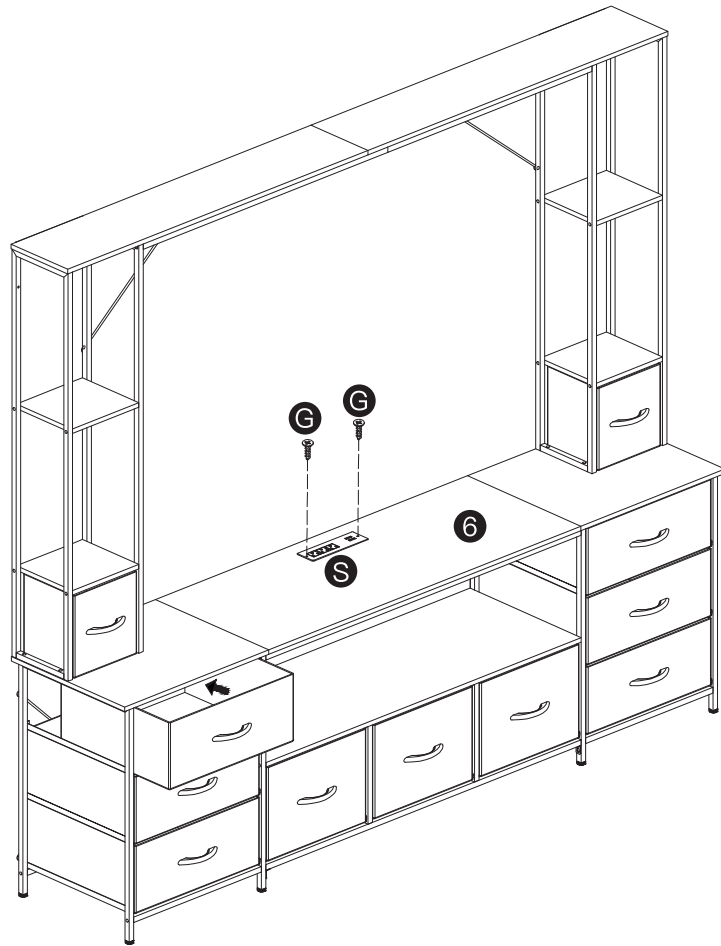
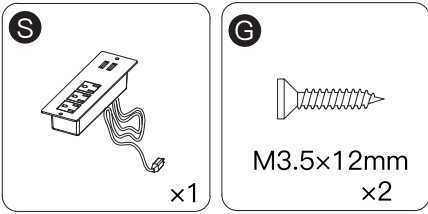
x6

Step 24 Open the drawers (part 31) and put part 31 inside, and install part N on the drawers with part E.



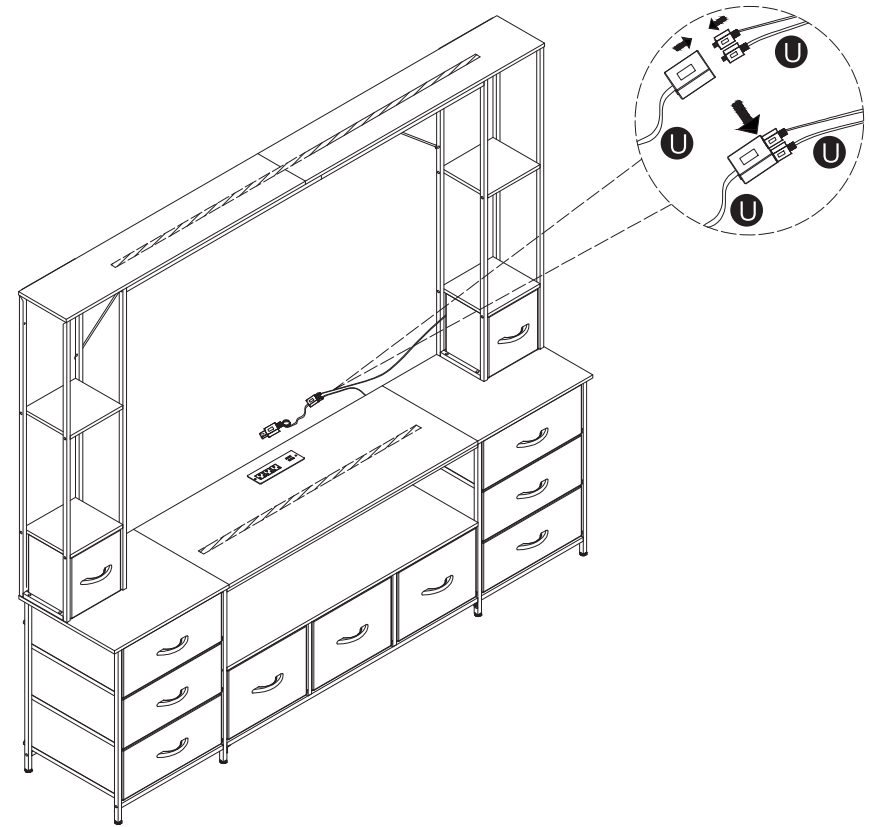
x3

Step 25 Put all drawers into the frame. Install part **S** on part **6** and use part **G** to screw them.



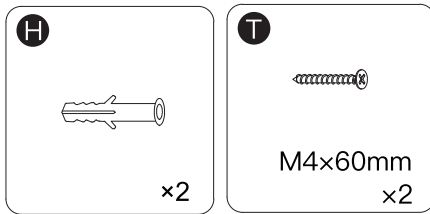
Step 26 Connect the USB part of part **U**.

NOTICE:
If the light (**U**) does not light up, rotate the USB 180 degrees to reinsert it.



Step 27

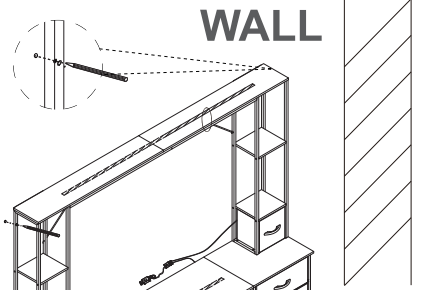
(Optional) Drill two holes on a solid wall and insert wall anchors of part **H** inside the holes, then lock the rack with part **T**.



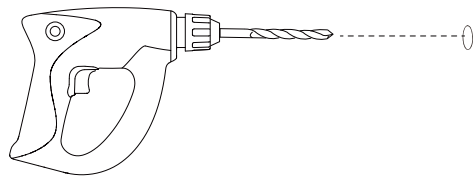
NOTICE:
Electric drill does not included in our parts, please prepare it by yourself.

1

Place the rack against the wall, locate and mark out two holes.



2



3



4

WALL

