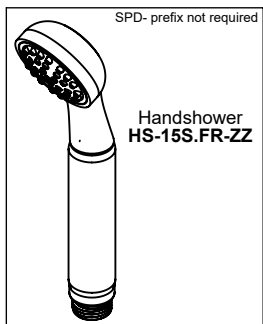
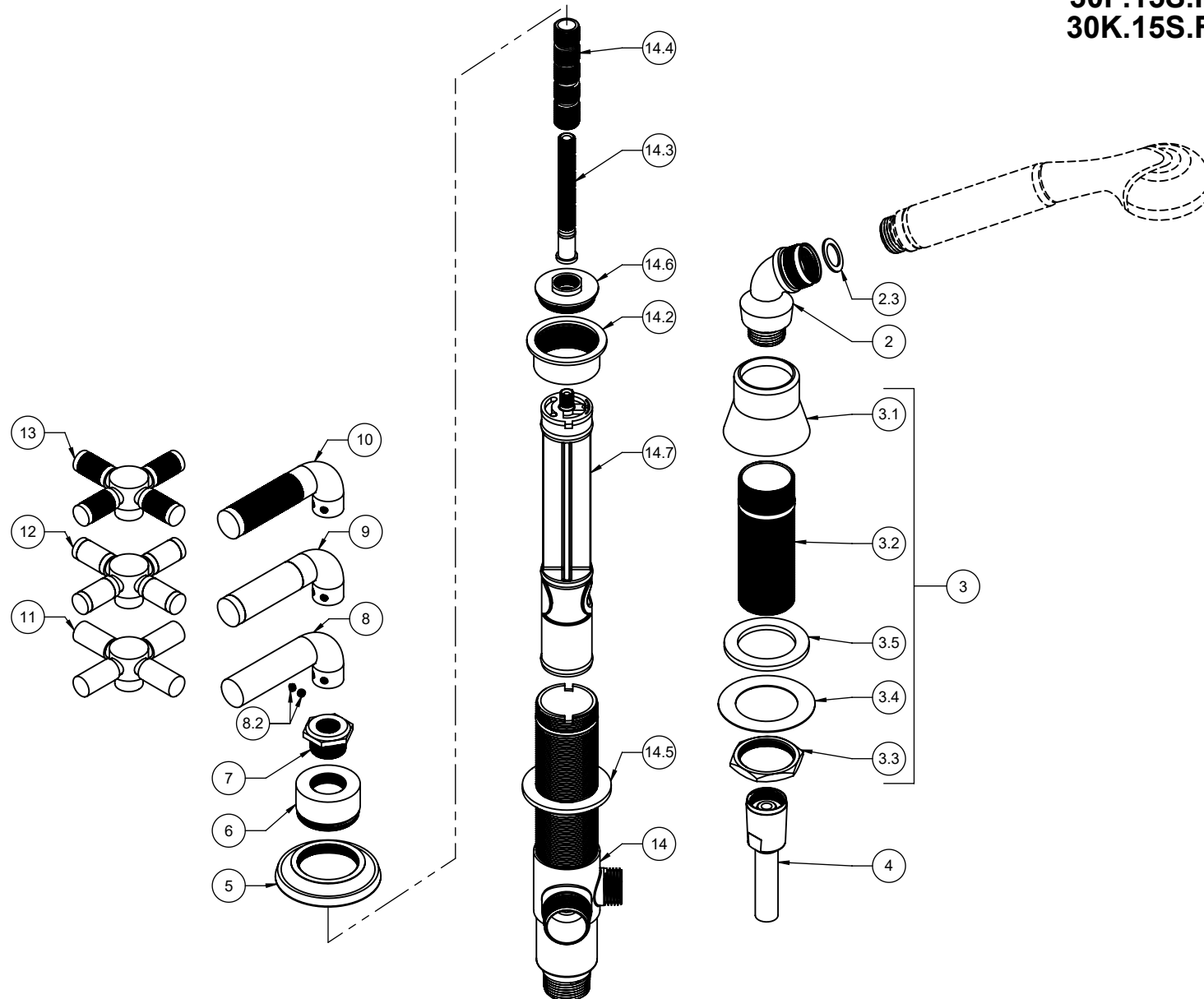


30.15S.FR 30X.15S.FR  
 30F.15S.FR 30XF.15S.FR  
 30K.15S.FR 30XK.15S.FR



**30.15S.FR 30X.15S.FR**  
**30F.15S.FR 30XF.15S.FR**  
**30K.15S.FR 30XK.15S.FR**

To order spare parts add and/or replace as stated below:

**SPD-** prefix added to part number(s)  
**-ZZ** replaced with finish code (see finish table)  
**-WW** replaced with **-90** (light finish) or **-96** (dark finish)

Ex: **SPD-7-100278-PC** or **SPD-86030-96**

ITEM	PART NO.	DESCRIPTION	QTY.
14	883487-99	DECK DIV-VALVE, ROUGH <i>(incl. 14.2, 14.3, 14.4, 14.5, 14.6, 14.7)</i>	1
14.2	880593-98	COUPLING, 1-3/8"-18	1
14.3	881287-99	STEM, WDV, EXTENSION	1
14.4	881289-99	ALL THREAD WDV EXT	1
14.5	880595-98	VALVE NUT, 1-3/8"-18	1
14.6	880594-98	CART NUT, 1-3/8"-18	1
14.7	883581-99	CARTRIDGE TO DDV	1
15	882042-99	KEY, ALLEN, 5/64", BLACK	1

for ITEM 8.2

ITEM	PART NO.	DESCRIPTION	QTY.	
2	7-913263-ZZ	KIT, ELBOW TO HS-15 <i>(incl. 2.3)</i>	1	
2.3	911492-99	WASHER, TO HS-17 NIPPLE/ELBOW, FIBER	1	
3	7-883262-ZZ	KIT, SHANK TO HS-15 <i>(incl. 3.1, 3.2, 3.3, 3.4, 3.5)</i>	1	
3.1	881430-ZZ	ESCUTCHEON, HS-16, DECK	1	
3.2	881115-99	SHANK, HS-16, DECK ESCUTCHEON	1	
3.3	881149-99	NUT, HS-16, DECK ESCUTCHEON	1	
3.4	881173-99	WASHER, STEEL, HS-16, DECK ESCUTCHEON	1	
3.5	881372-99	WASHER, HS-16, DECK ESCUTCHEON, RUBBER	1	
4	880225-99	HOSE, 84"X 1/2"NPS(F) CONICAL X 1/2"NPS(F) HEX, BLK POLY-BRAIDED	1	
5	10363-ZZ	RING, BASE, TRAD	1	
6	10751-ZZ	ESCUTCHEON, SCALLOPED	1	
7	10760-ZZ	NUT, SCALLOPED ESCUTCHEON	1	
for 30 series	8	7-100146-ZZ	ASM, LEVER, 74 SERIES "BROACHED" <i>(incl. 8.2)</i>	1
	8.2	86030-WW	SETSCREW 8-32 X 1/8 SCKT HD CUP PT SS	2
for 30F series	9	7-100277-ZZ	ASM, CARBON FIBER LEVER <i>(incl. 8.2)</i>	1
for 30K series	10	7-100271-ZZ	ASM, KNURLED LEVER <i>(incl. 8.2)</i>	1
for 30X series	11	7-100291-ZZ	ASM, INDUSTRIAL X-HDL SMOOTH <i>(incl. 8.2)</i>	1
for 30XF series	12	7-100292-ZZ	ASM, INDUSTRIAL X-HDL CARBON FIBER <i>(incl. 8.2)</i>	1
for 30XK series	13	7-100293-ZZ	ASM, INDUSTRIAL X-HDL KNURLED <i>(incl. 8.2)</i>	1