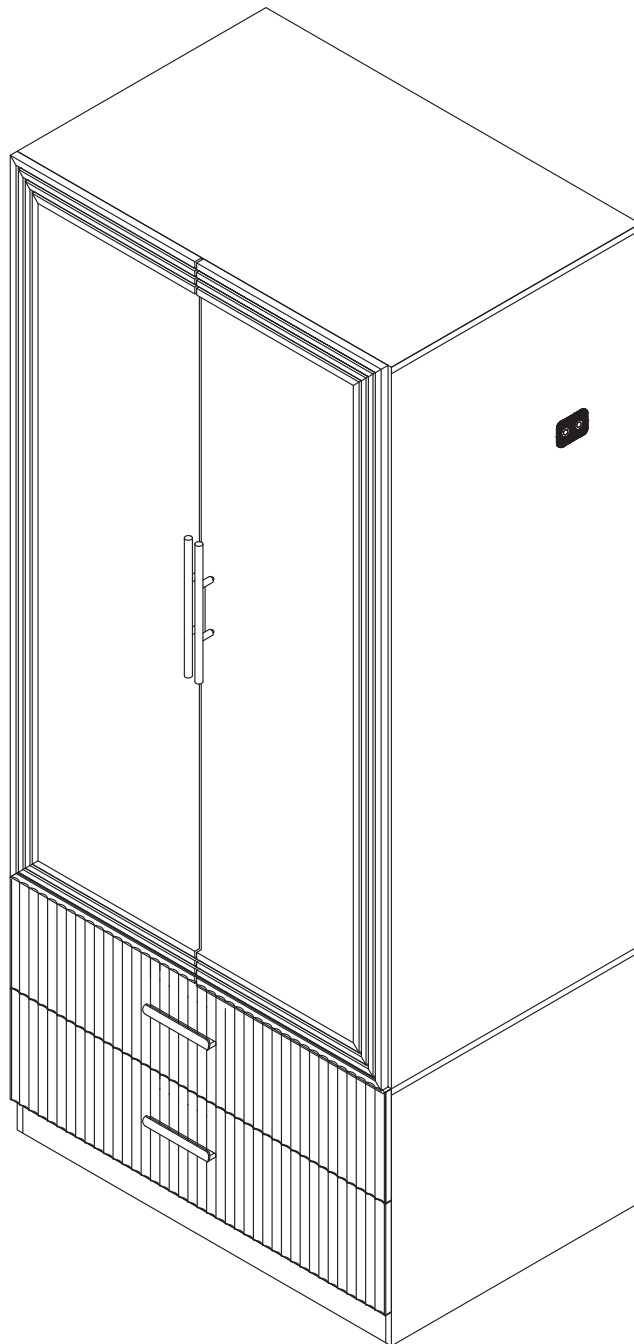
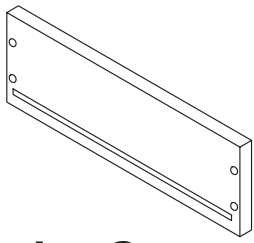
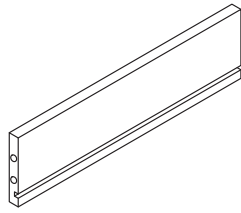


Product Installation Instructions

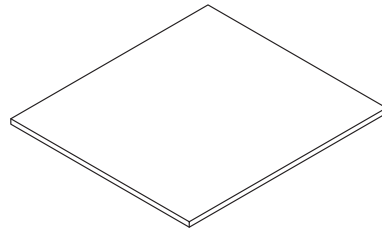




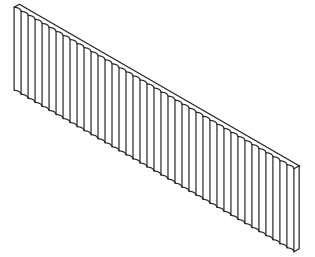
Ax2



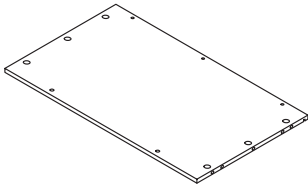
Bx4



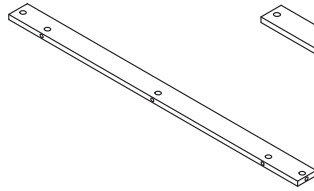
Cx2



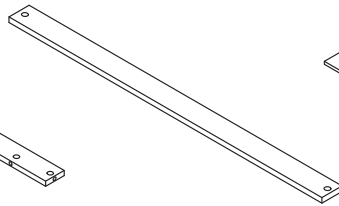
Dx2



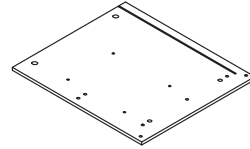
Ex1



Fx1



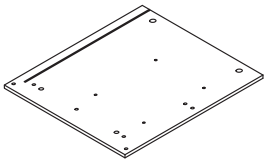
Gx1



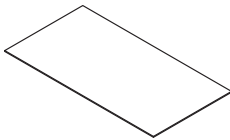
Hx1



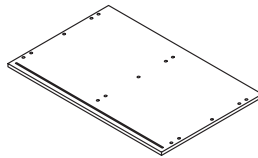
Ix2



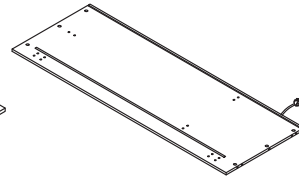
Jx1



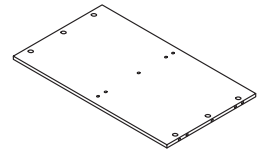
Kx1



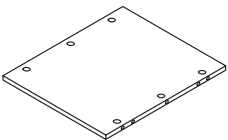
Lx1



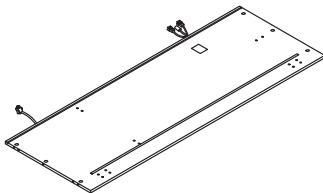
Mx1



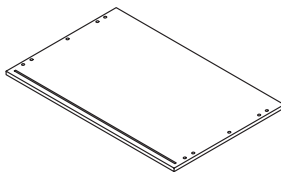
Nx1



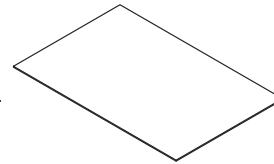
Ox1



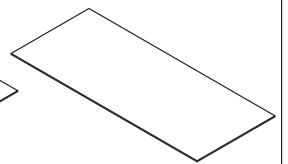
Px1



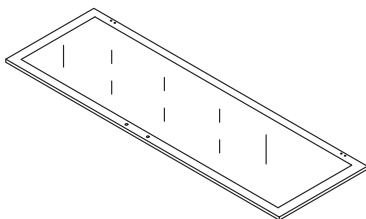
Qx1



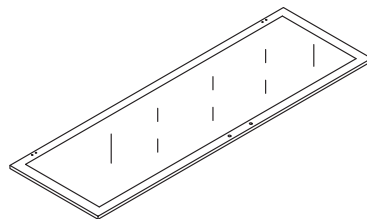
Rx2



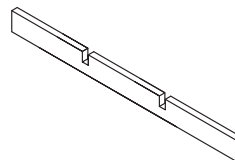
Sx1



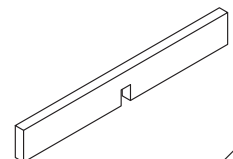
Tx1



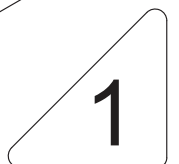
Ux1



Vx1

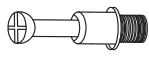

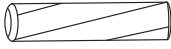
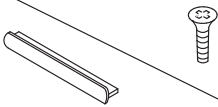
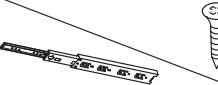
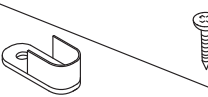

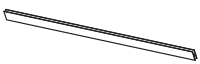
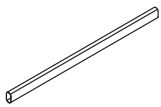
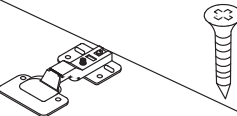
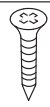


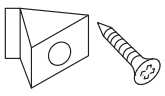
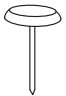
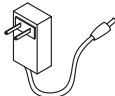
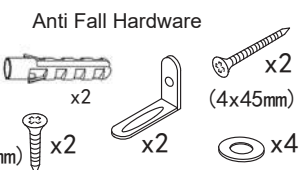
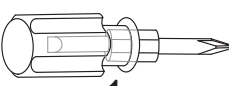
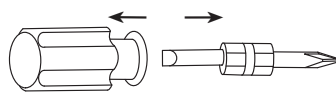


Wx2

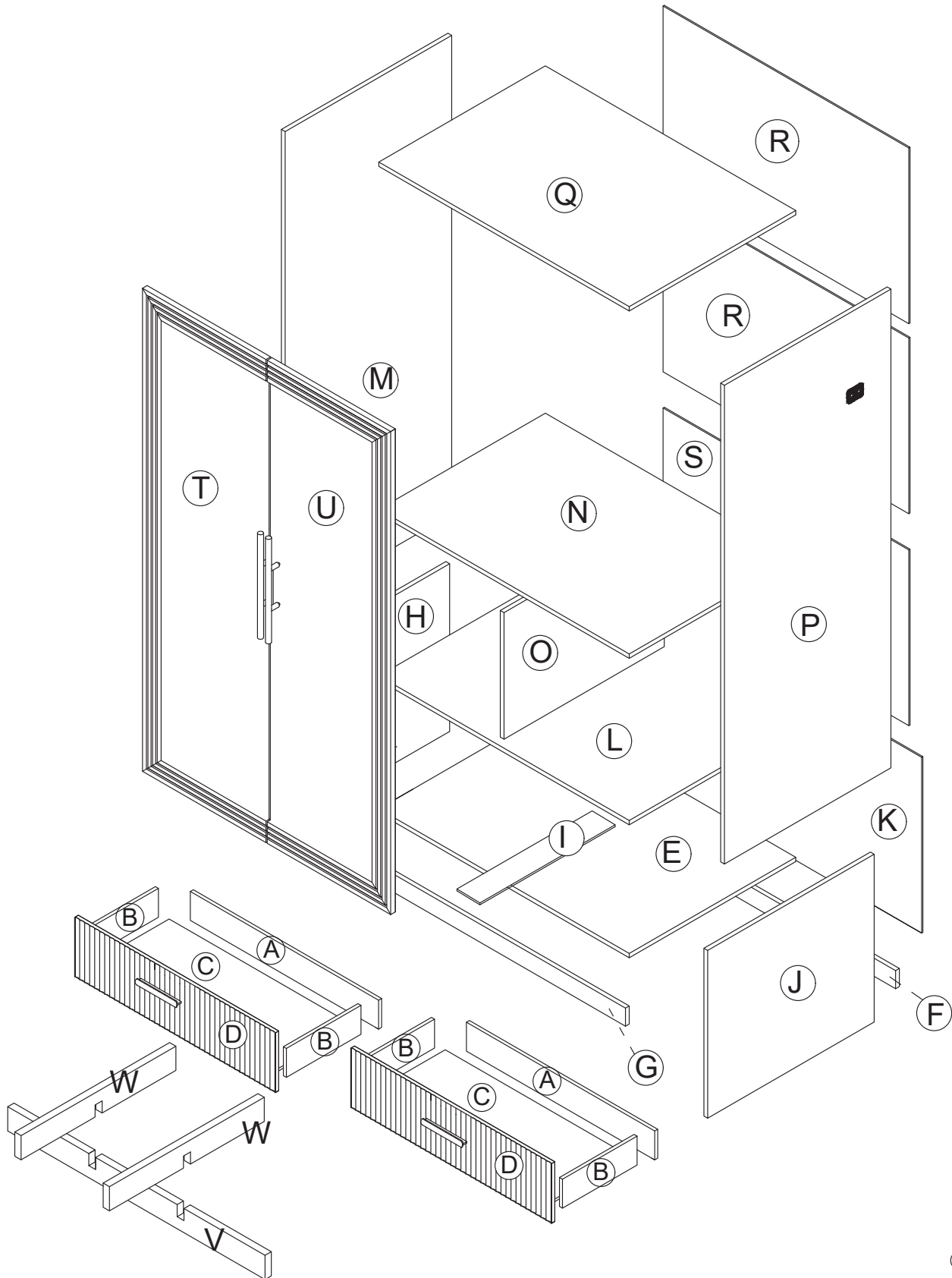


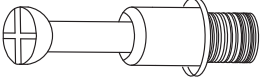
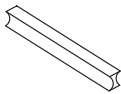



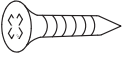
1

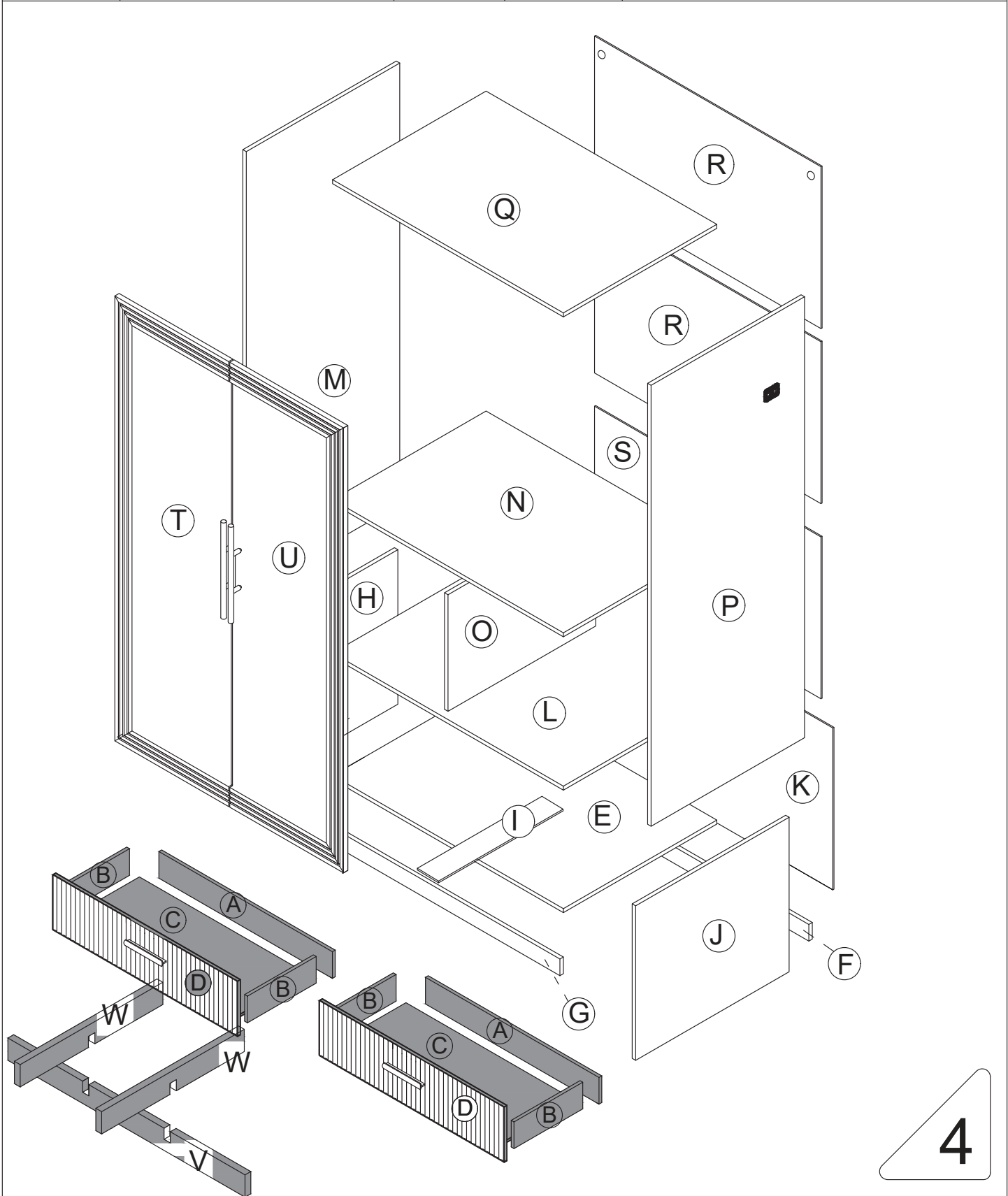
Accessories list

①		Two In One Screw (6x28mm)	66pcs +6pcs
②		Two In One Nut (10x12mm)	66pcs +6pcs
③		Wood Chipping (6x30mm)	26pcs +4pcs
④		Handle & screw (4x18mm)	2pcs 4pcs +1pcs
⑤		Guide & Screw (29cm) (3x12mm)	4pcs 20pcs +4pcs
⑥		Clothing Rod Hooks & Screw (3.5x12mm)	2pcs 4pcs +1pcs
⑦		Non-slip pads (50x10mm)	5pcs +1pcs
⑧		Backboard card strip	1pcs
⑨		Clothing Rod	1pcs
⑩		Hinge & Screw (3.5x12mm)	6pcs 12pcs +2pcs
⑪		Screw (3.5x12mm)	24pcs +2pcs
⑫		Handle & screw (4x8-Bmm)	2pcs 4pcs +1pcs
⑬		Clamp	4pcs
⑭		Fixing clip & screw (3x16mm)	12pcs +2pcs
⑮		Foot nail	2pcs +2pcs
		AC/DC Adapter (12V=3.0A)	1pcs
⑯	<p>Anti Fall Hardware</p>  <p>(3.5x14mm) x2 x2 x2 x2 x4</p>	 1pcs  Double-head screwdriver, use as required	2

Product structure decomposition

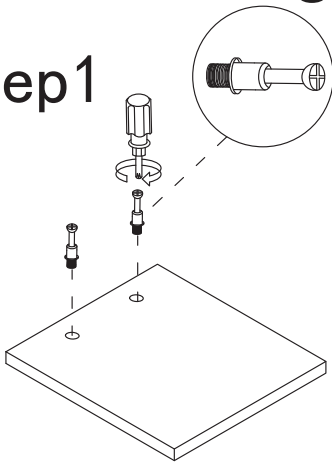


<p>1</p>		<p>16pcs</p>	<p>4</p>	 <p>2pcs</p>	 <p>4pcs</p>
<p>2</p>		<p>16pcs</p>	<p>5</p>	 <p>4pcs</p>	 <p>8pcs</p>

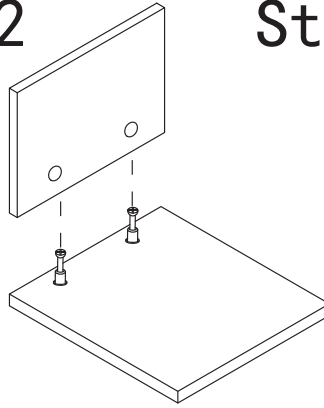


Use parts ① and ②

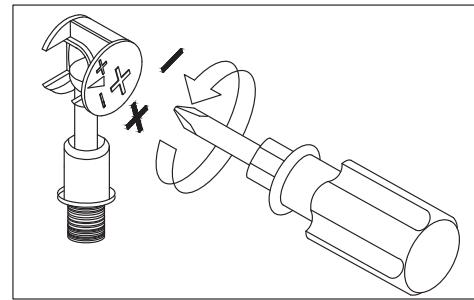
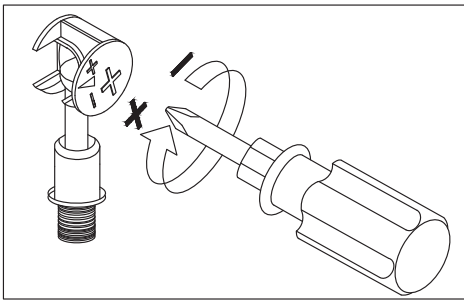
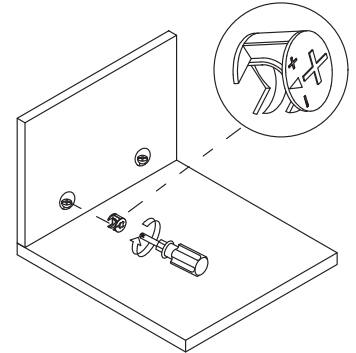
Step1



Step2



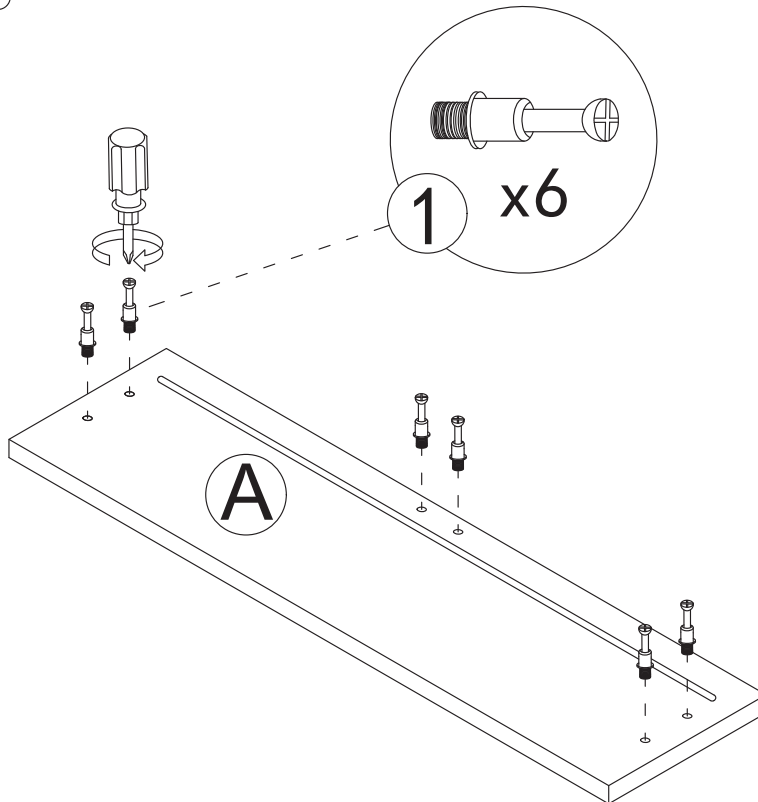
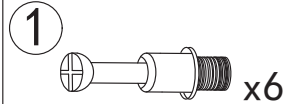
Step3



Use a screwdriver to lock in the direction of the "+" sign

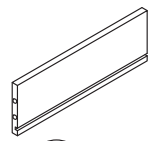
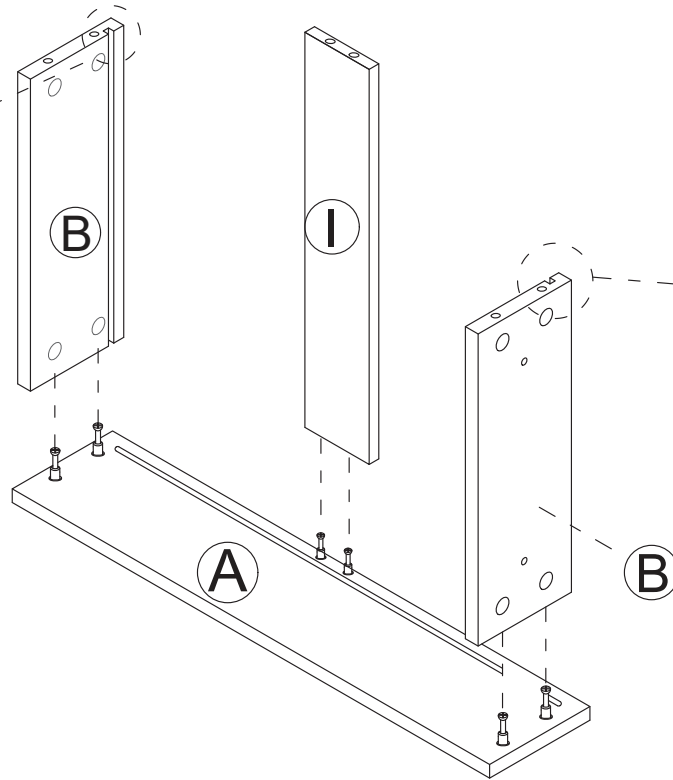
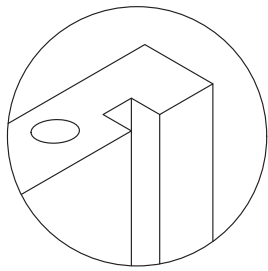
Disassemble along the direction of "-" sign

Step 1

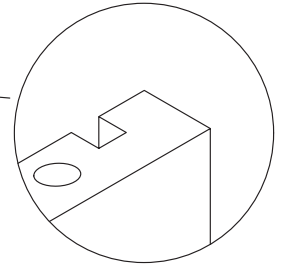


5

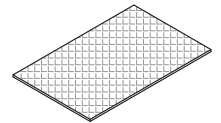
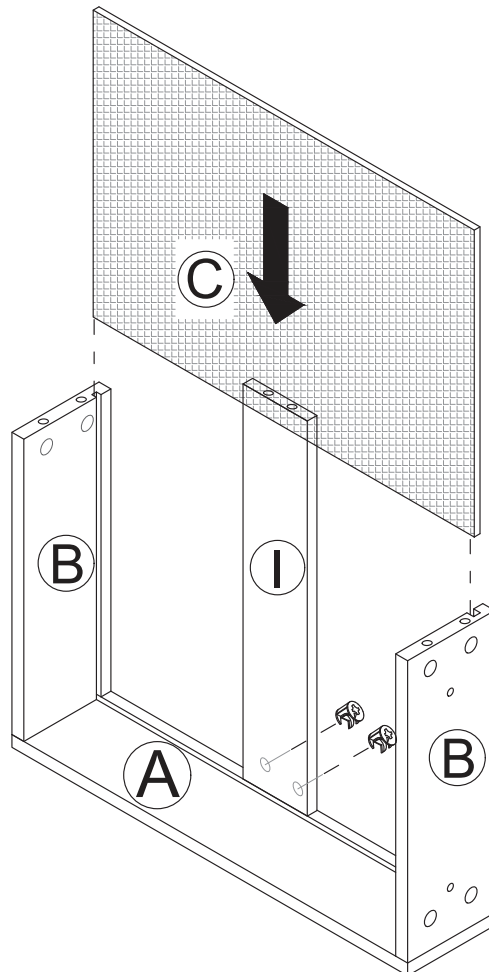
Step 2



ⓑ x2



Step 3



ⓒ x1

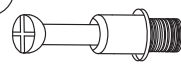


②

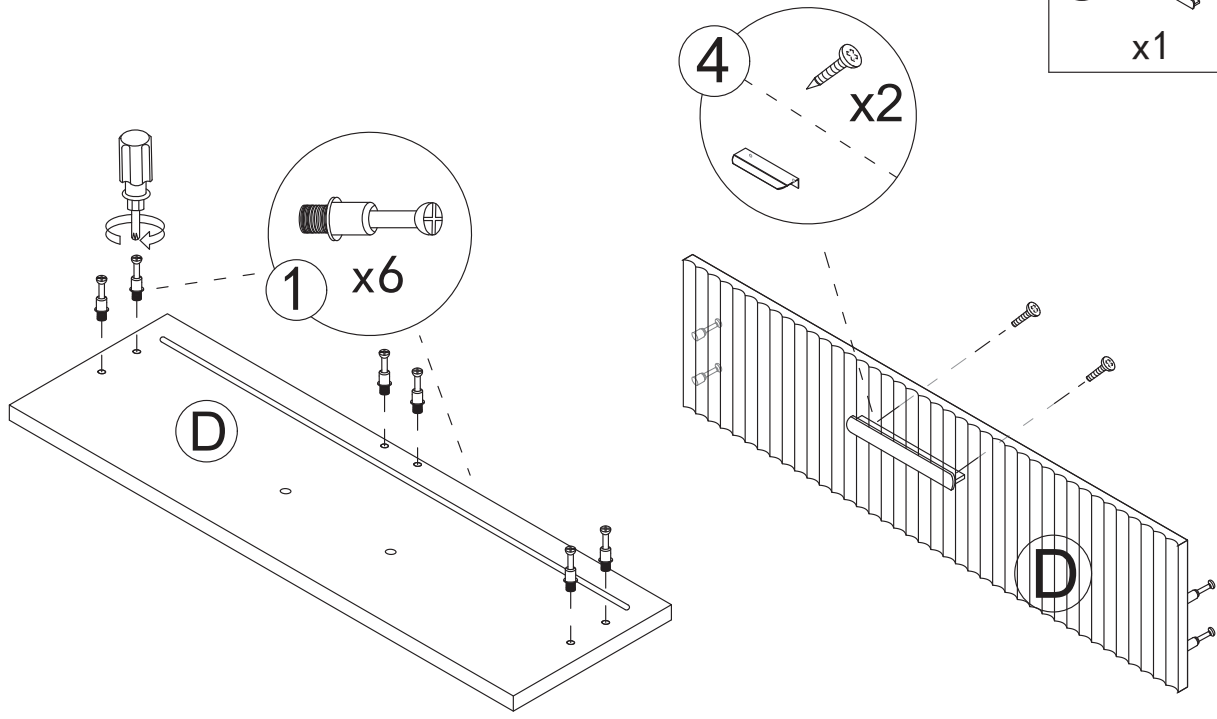


x2

6

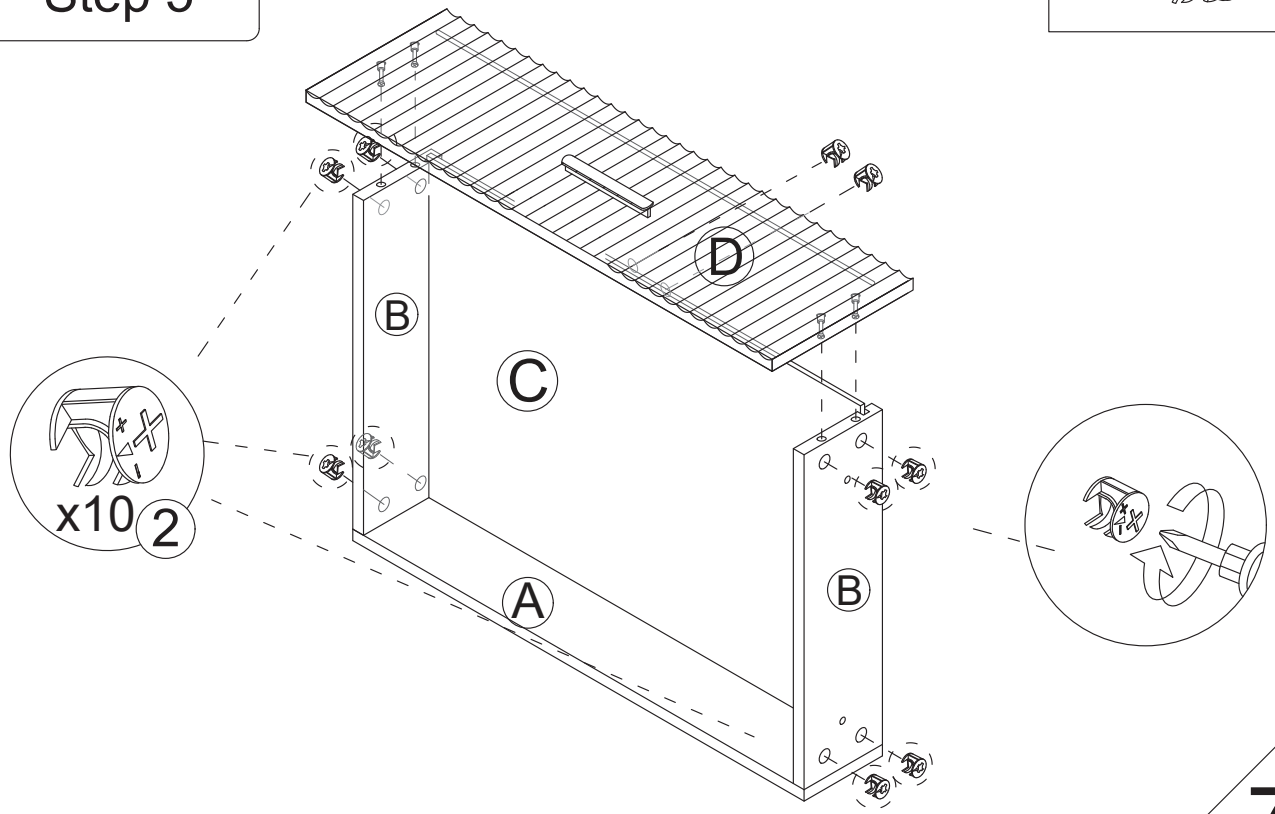
Step 4

- ①  x6
- ④  x1  x2



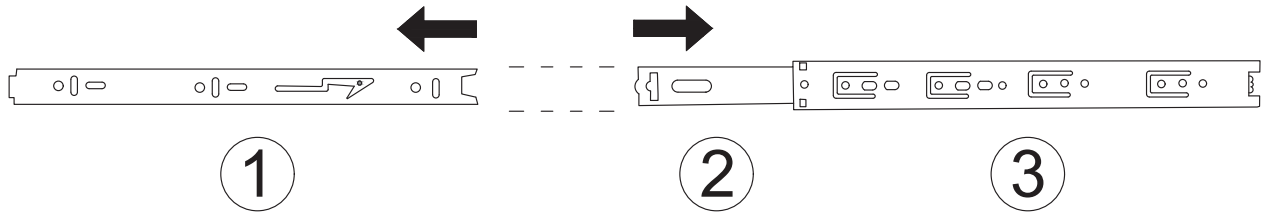
Step 5

- ②  x10



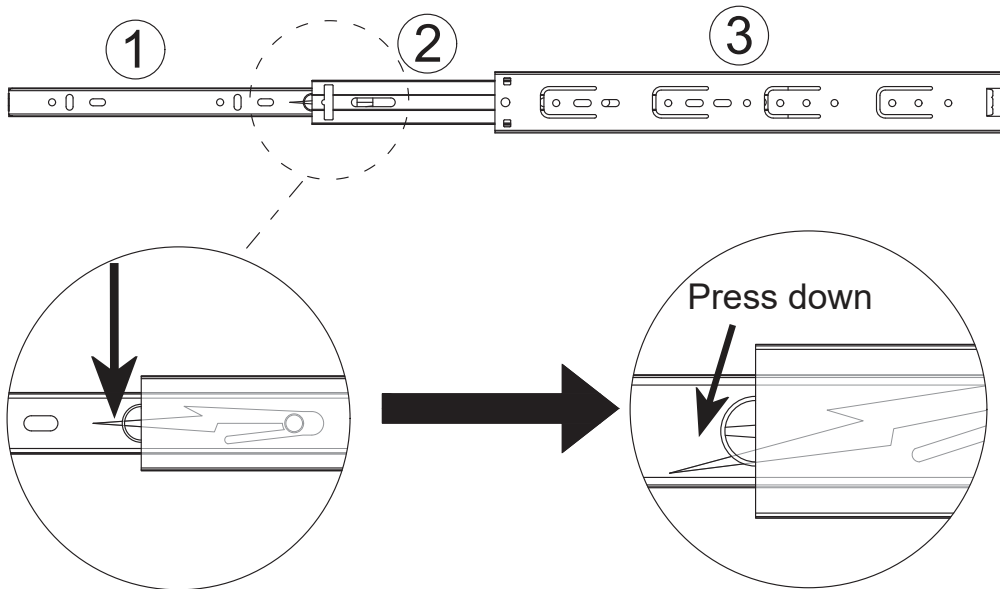
Drawer rail breakdown diagram

5



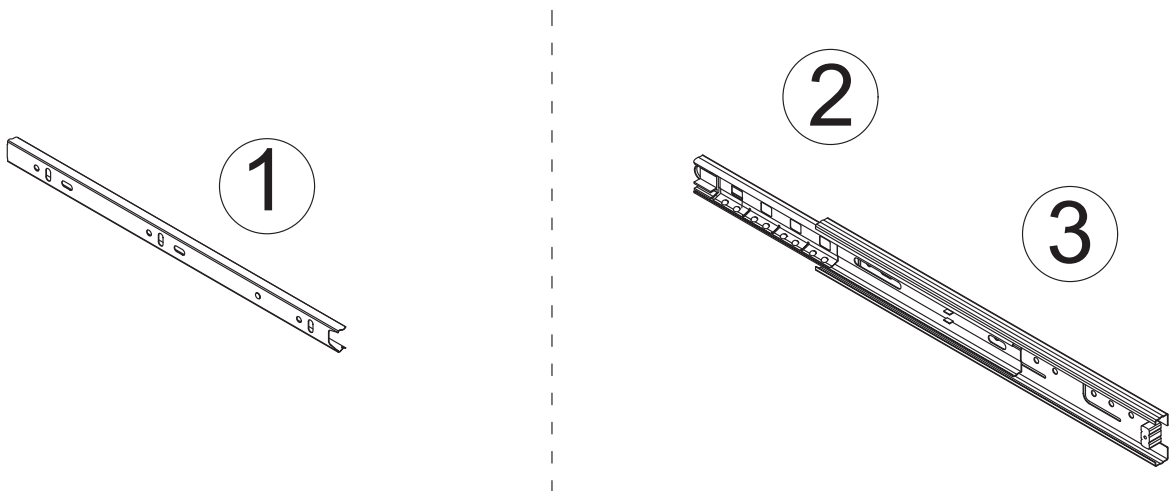
① Dismantle the schematic diagram

Step 1 : Pull the rails apart

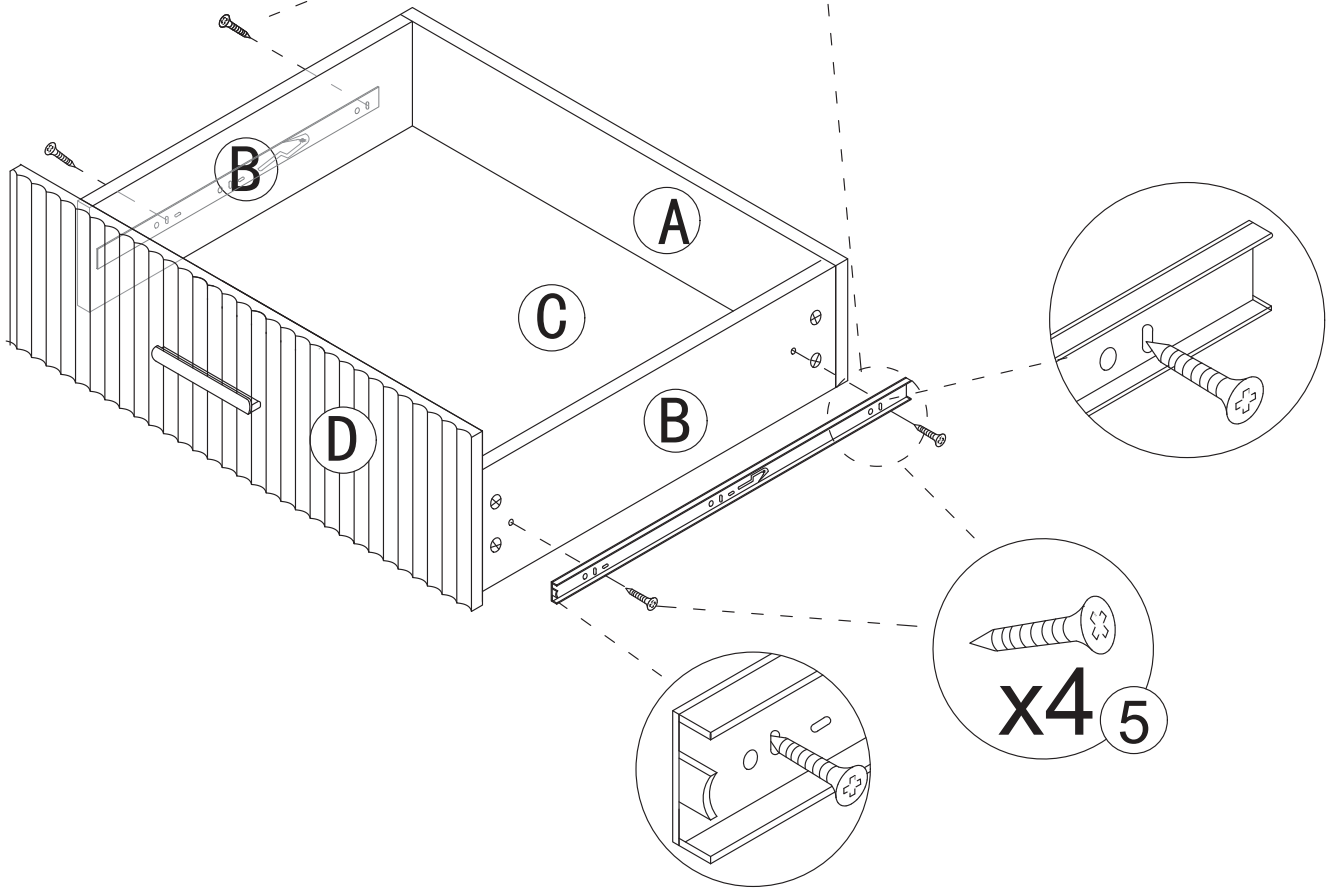
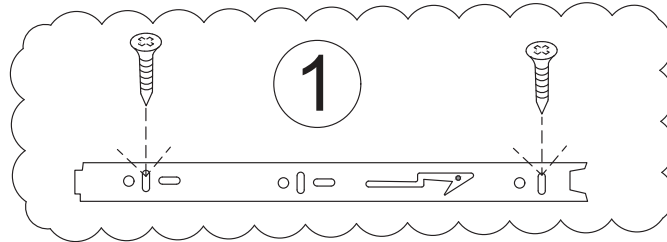
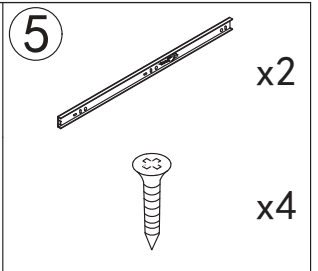


Step 2 : Press the nylon button and pull out ①.

Drawer rail decomposition completed schematic diagram

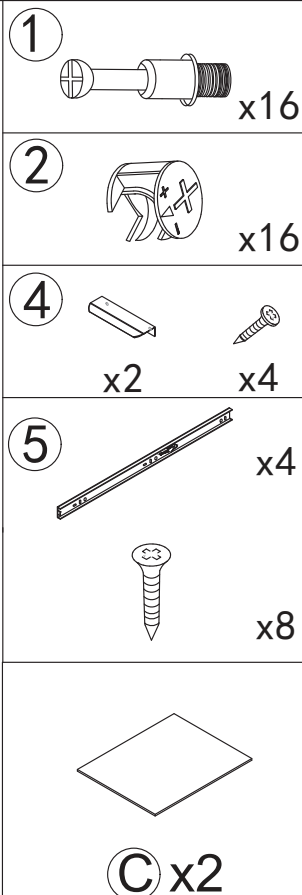
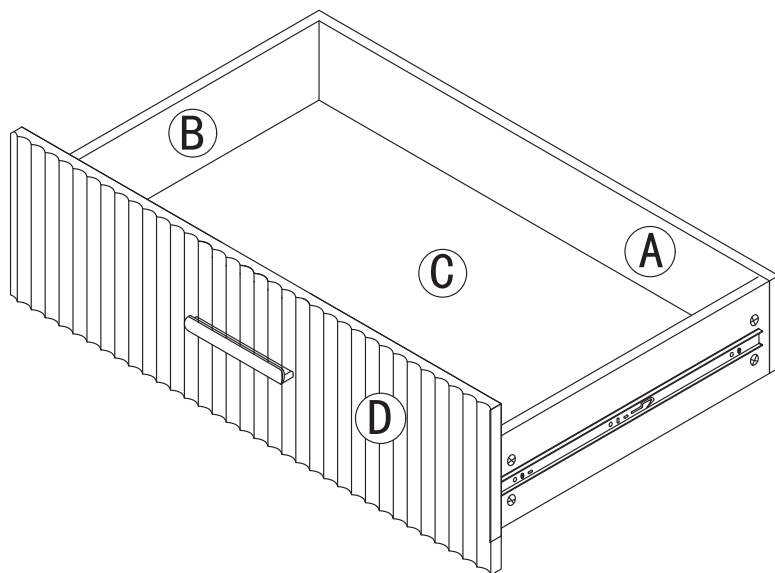


Step 6

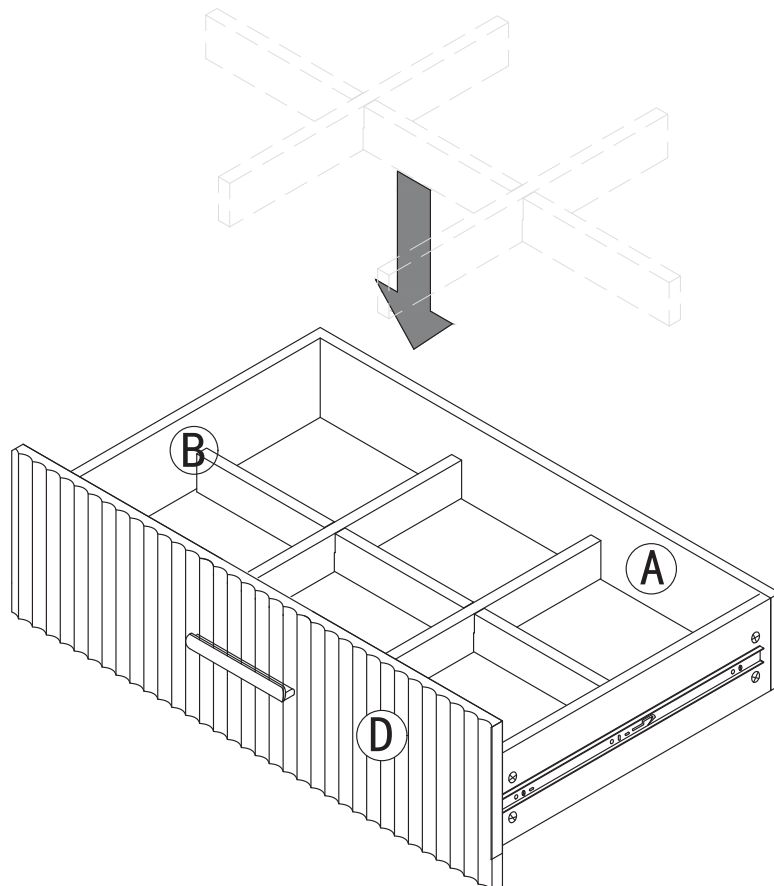
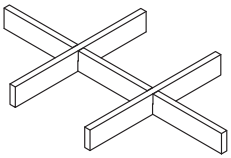
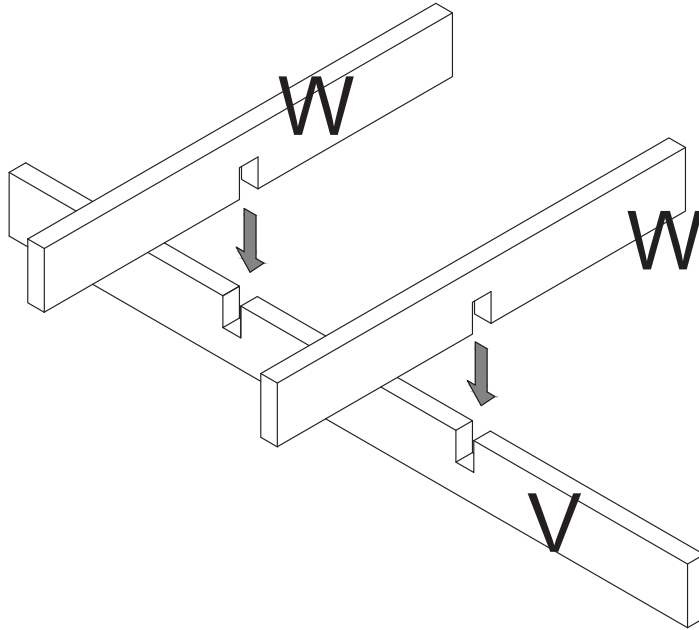


Step 7

x2

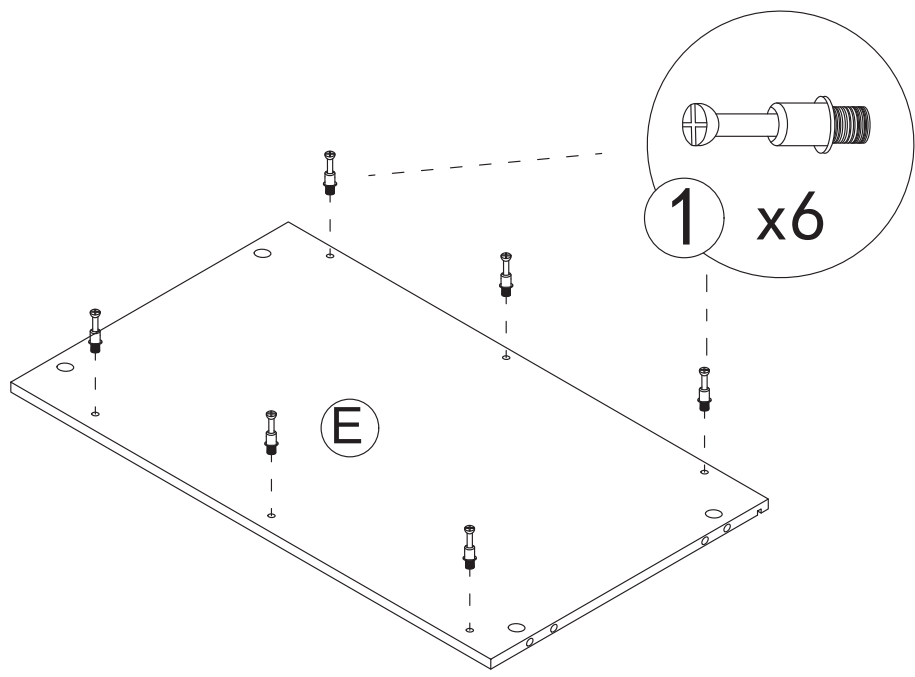
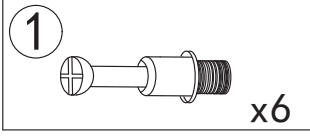


Repeat the drawer installation steps

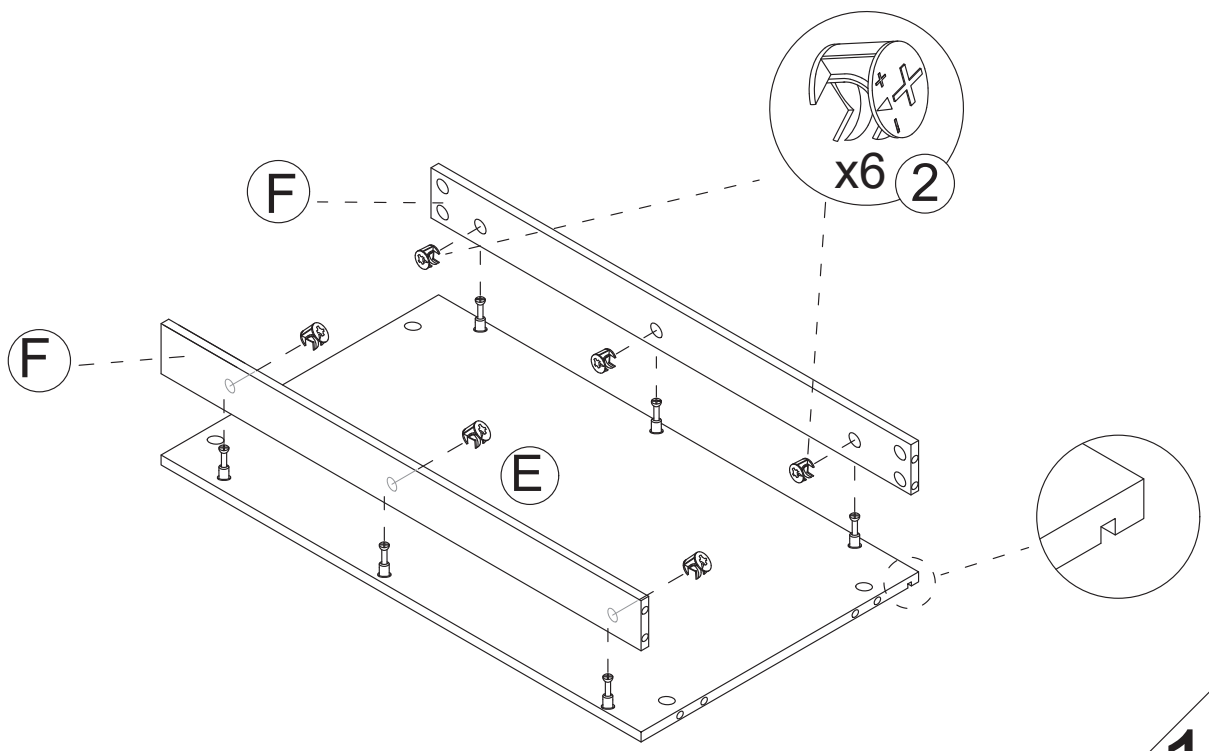


Install in any drawer

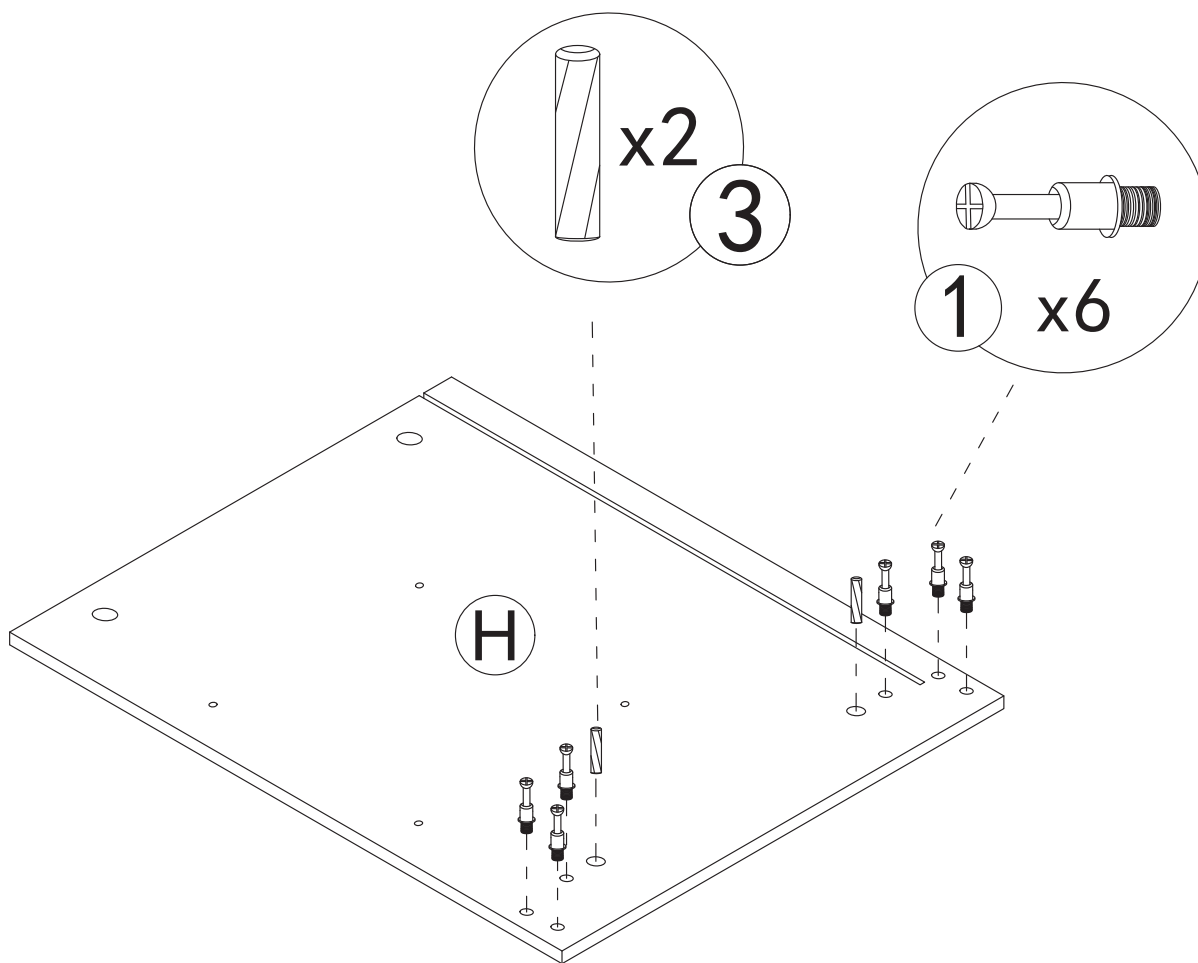
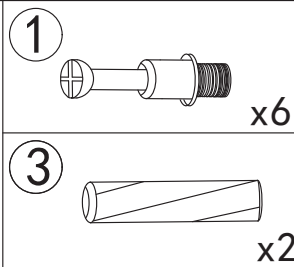
Step 8



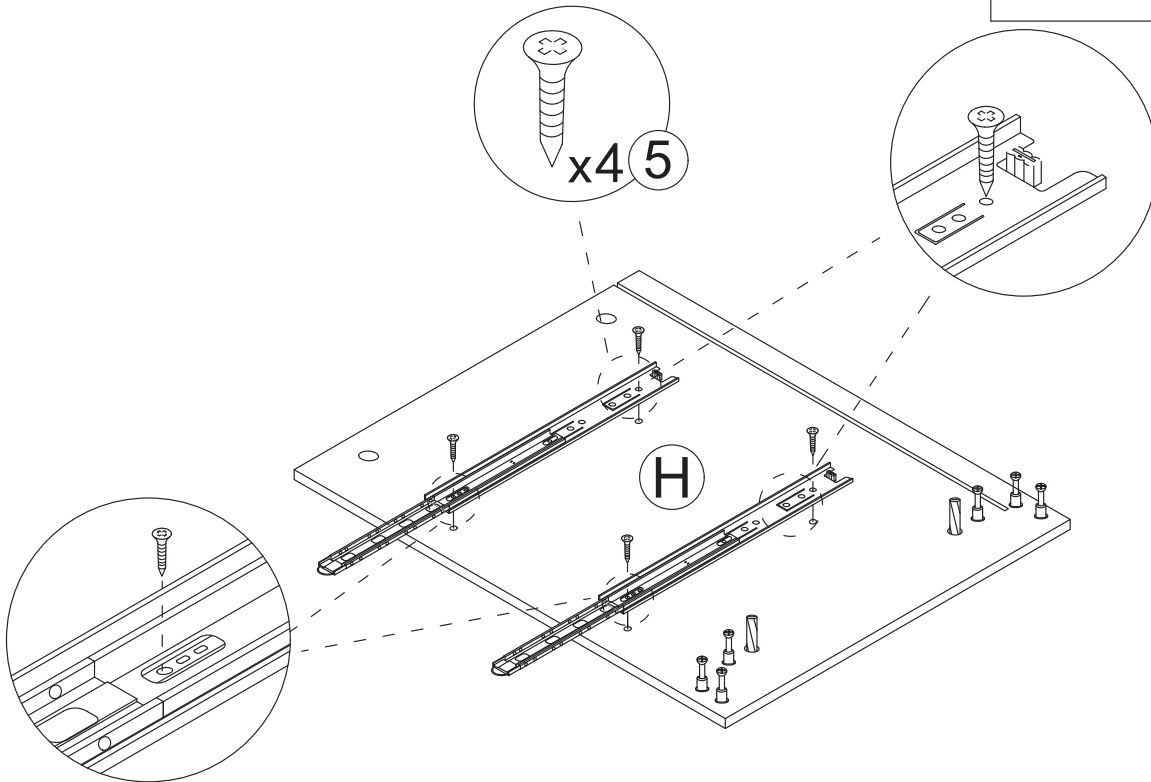
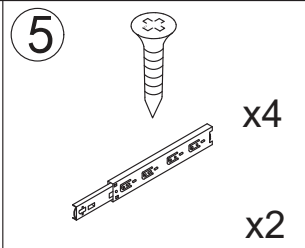
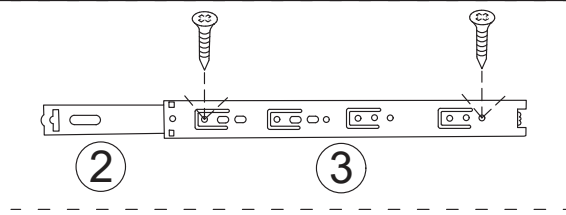
Step 9



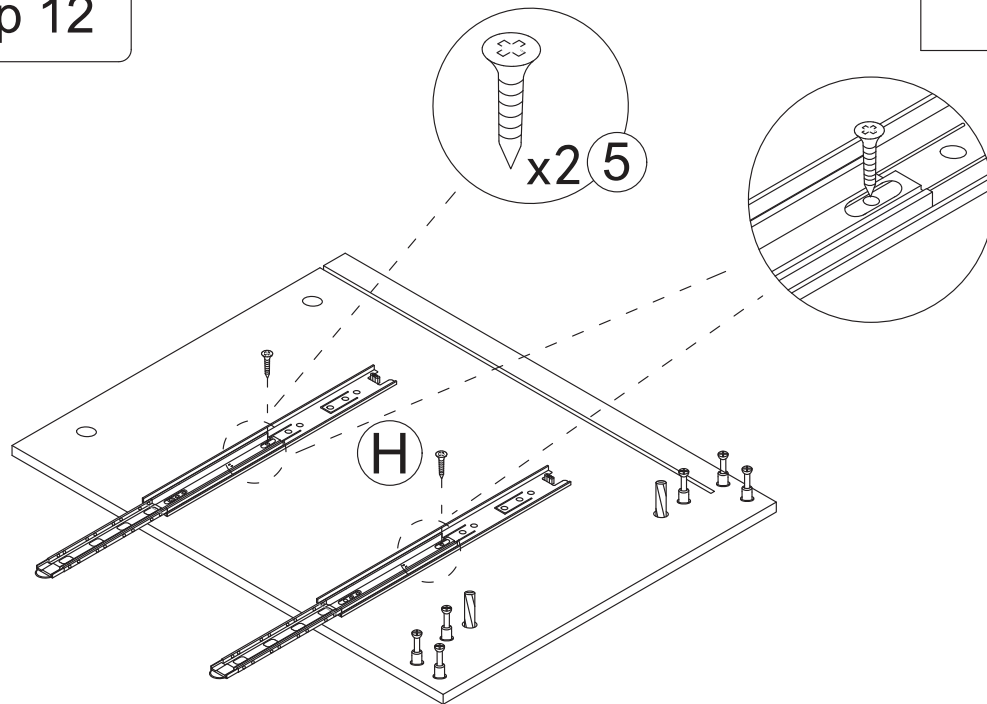
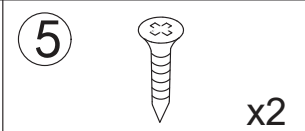
Step 10



Step 11

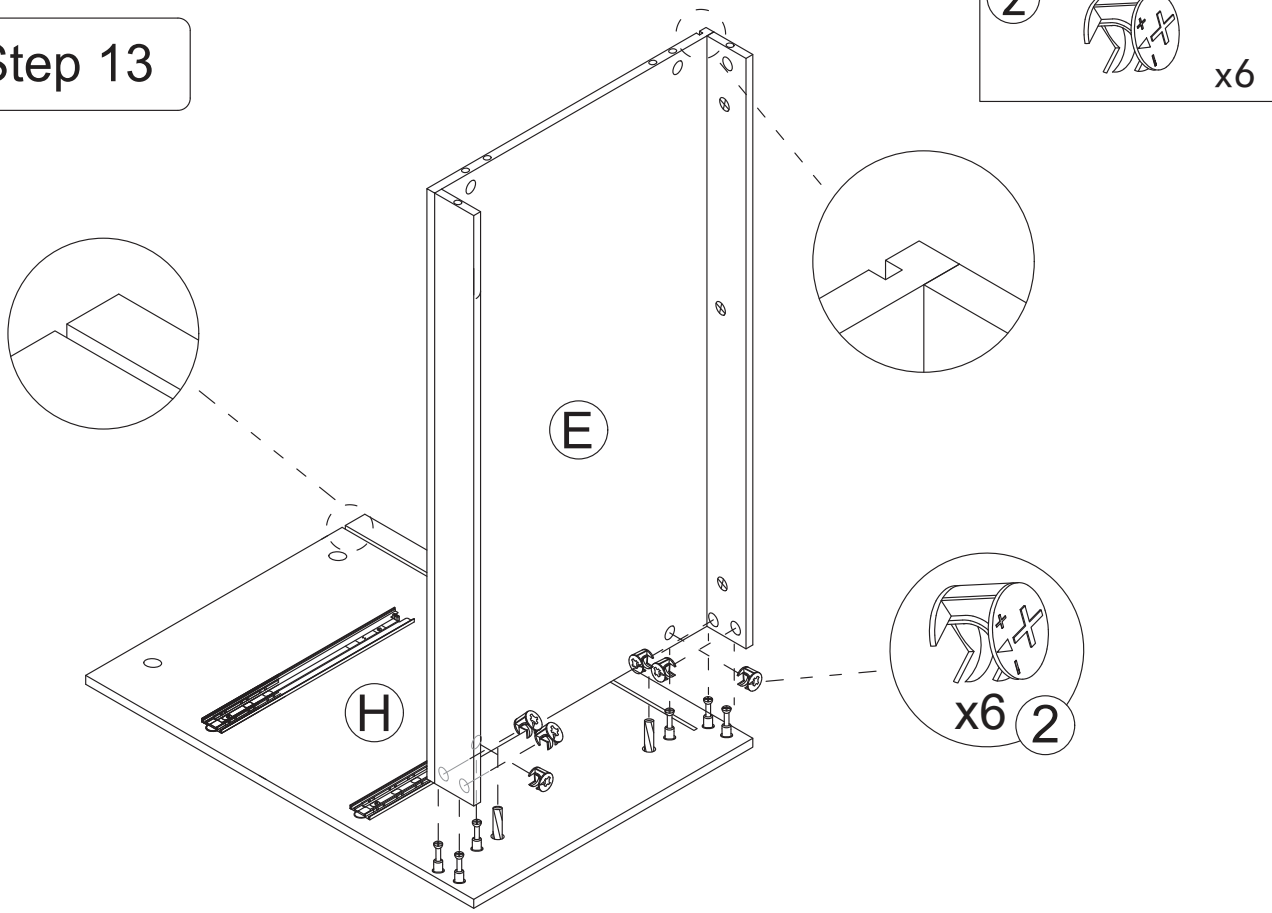


Step 12

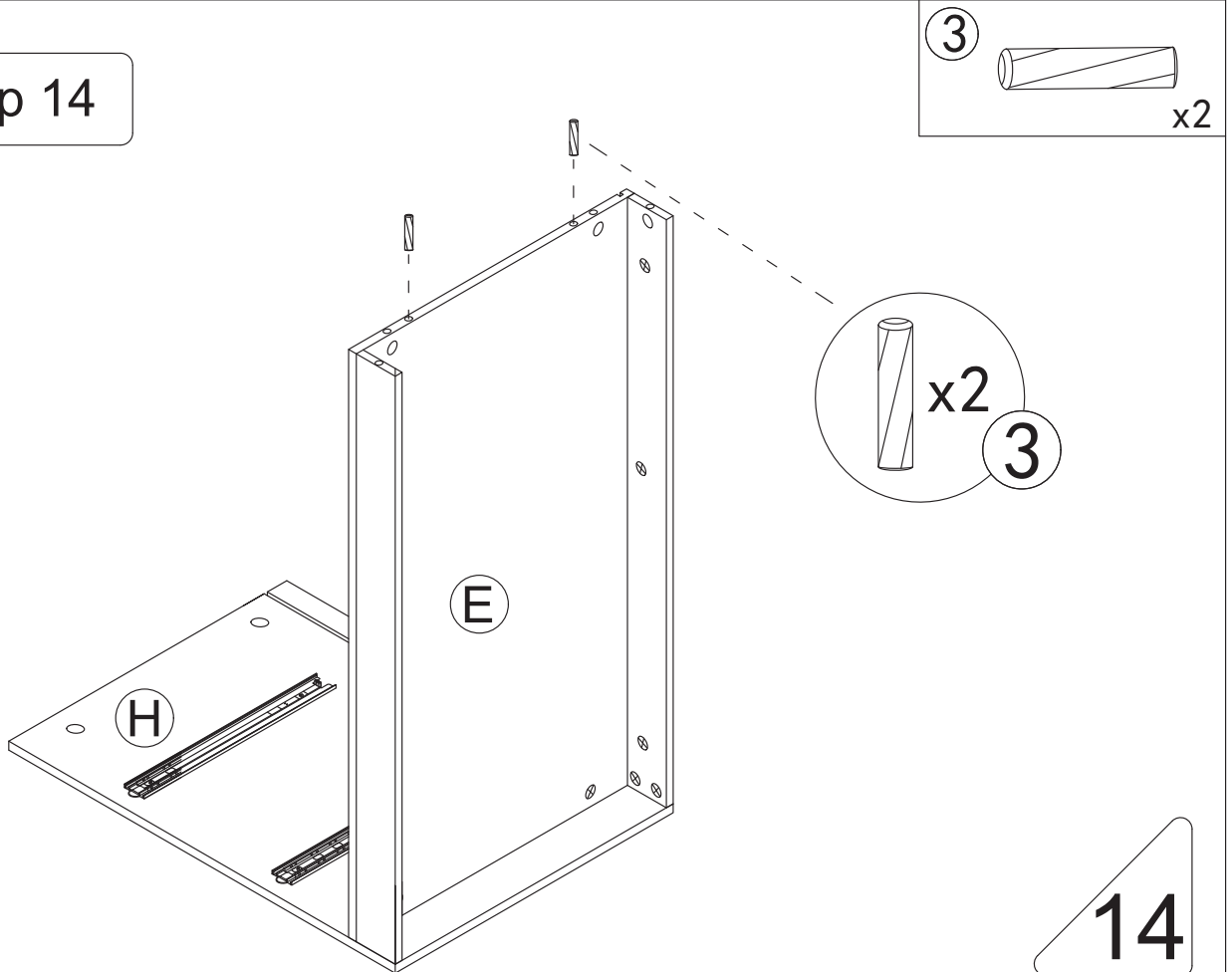


This hole is for strengthening fixed hole customers can choose to install according to their needs.

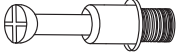
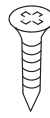
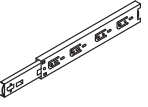
Step 13

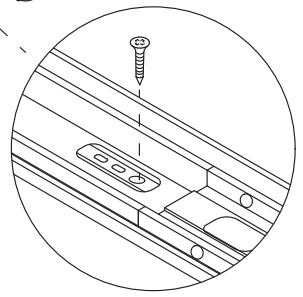
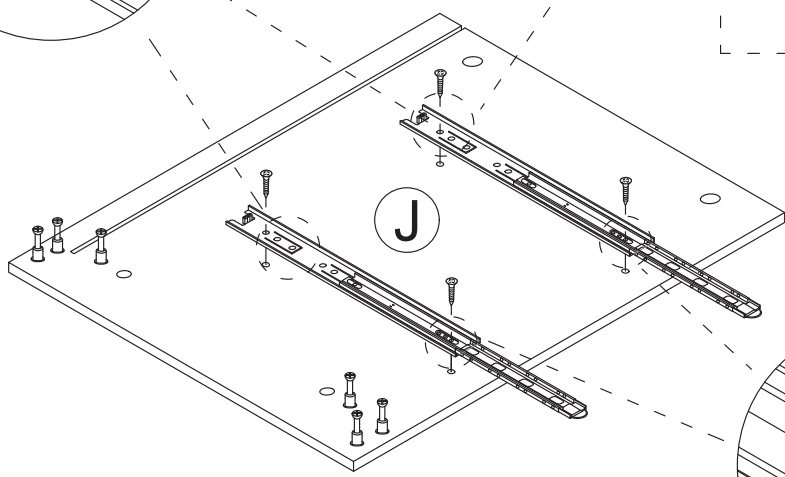
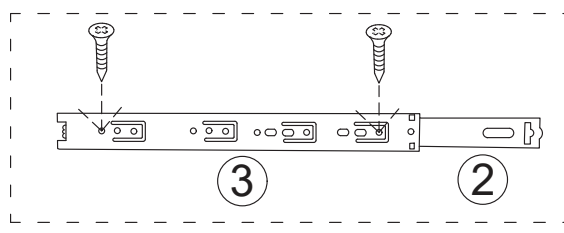
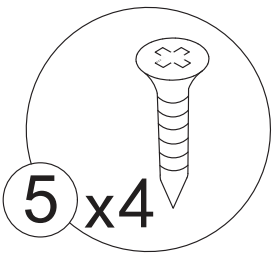
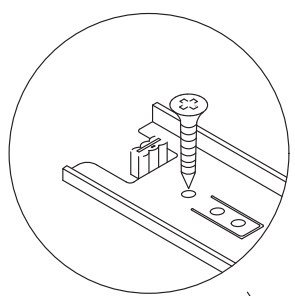
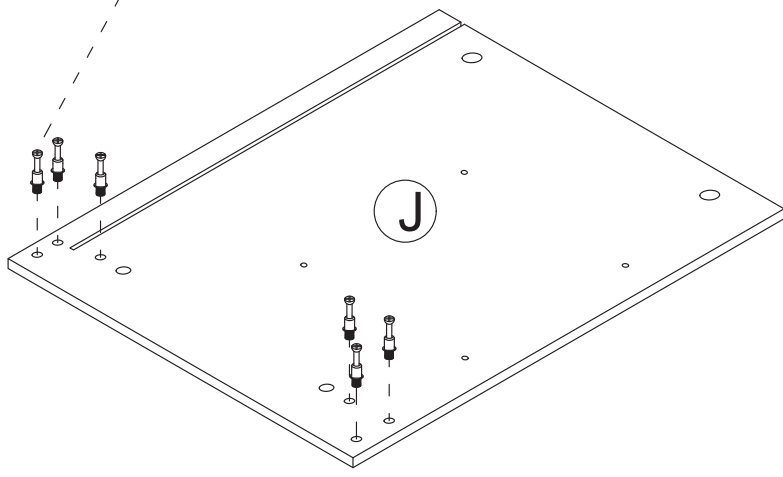
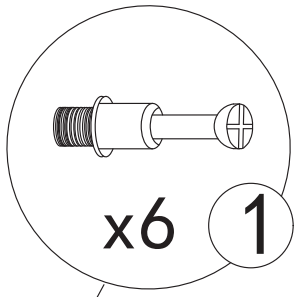


Step 14

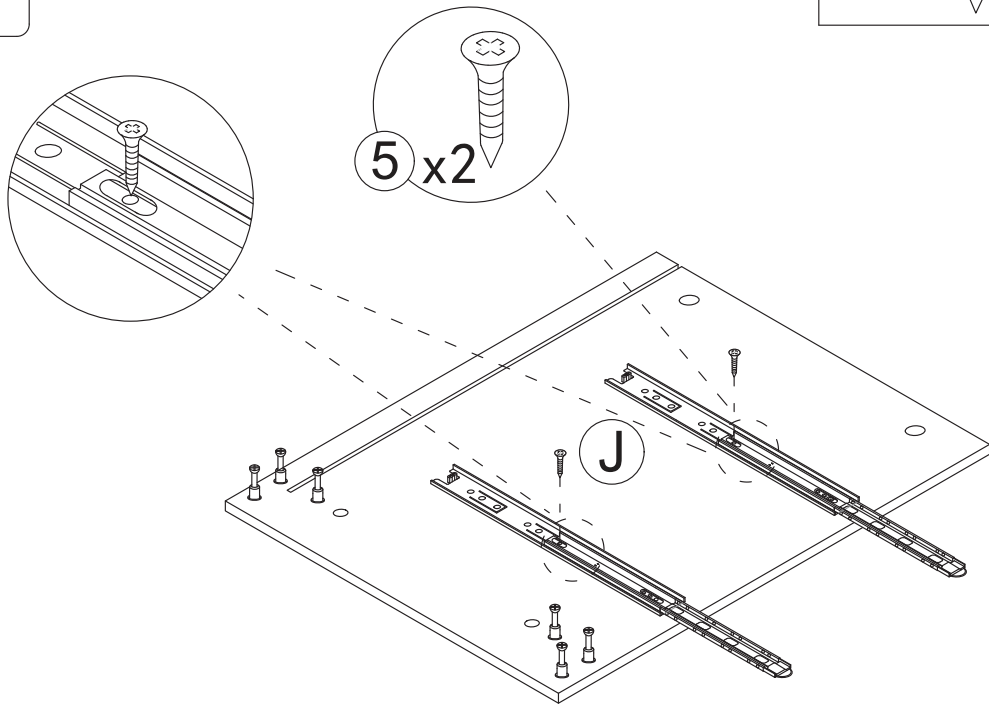


Step 15

- ①  x6
- ⑤  x4
-  x2

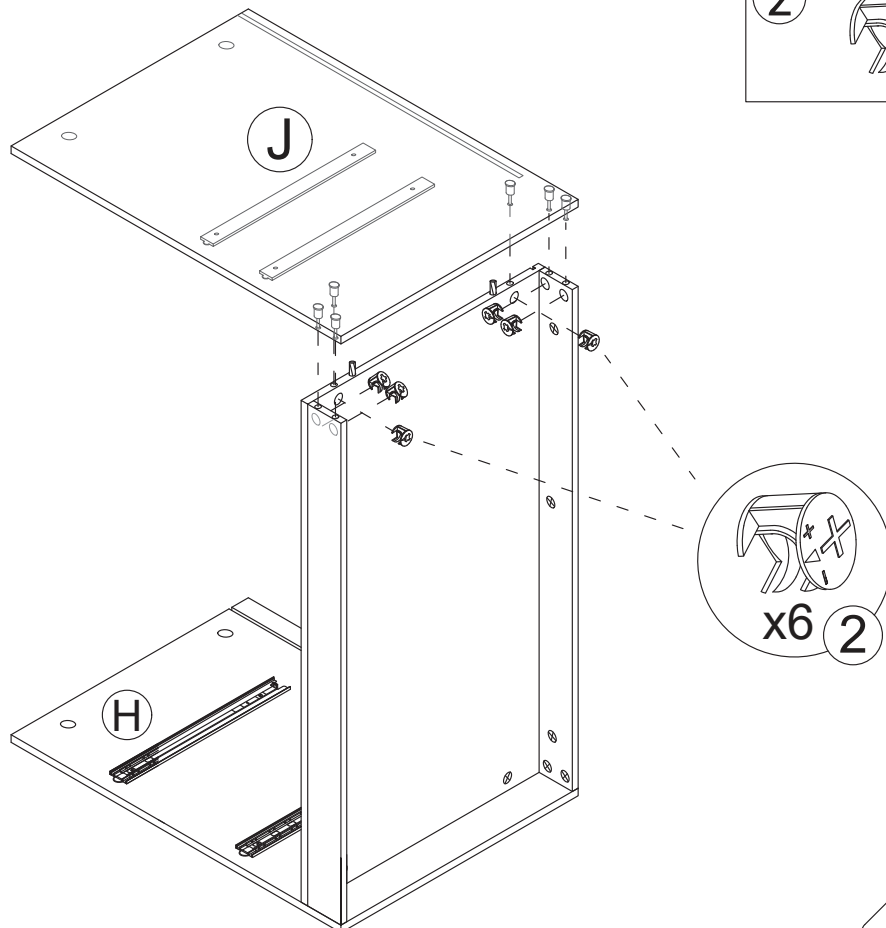


Step 16

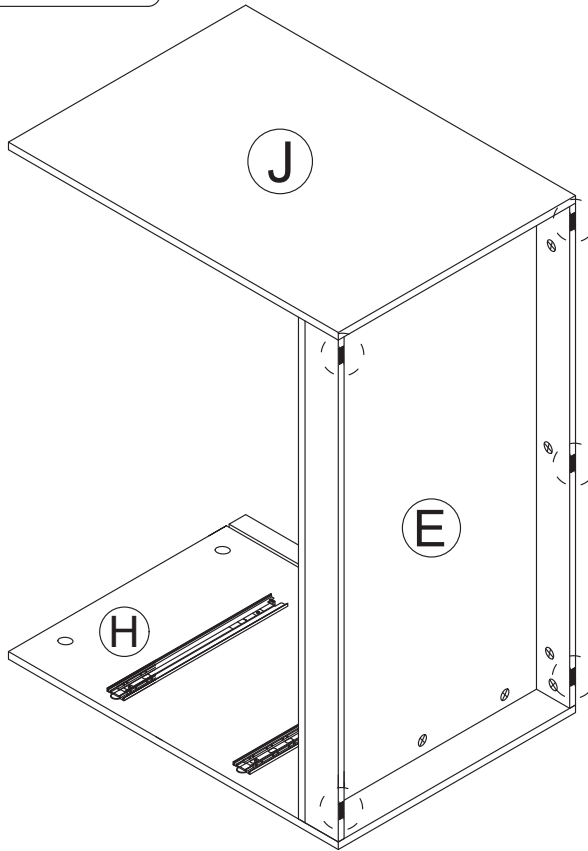


This hole is for strengthening fixed hole customers can choose to install according to their needs.

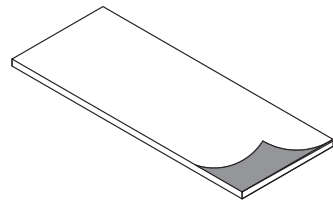
Step 17



Step 18



7



x5

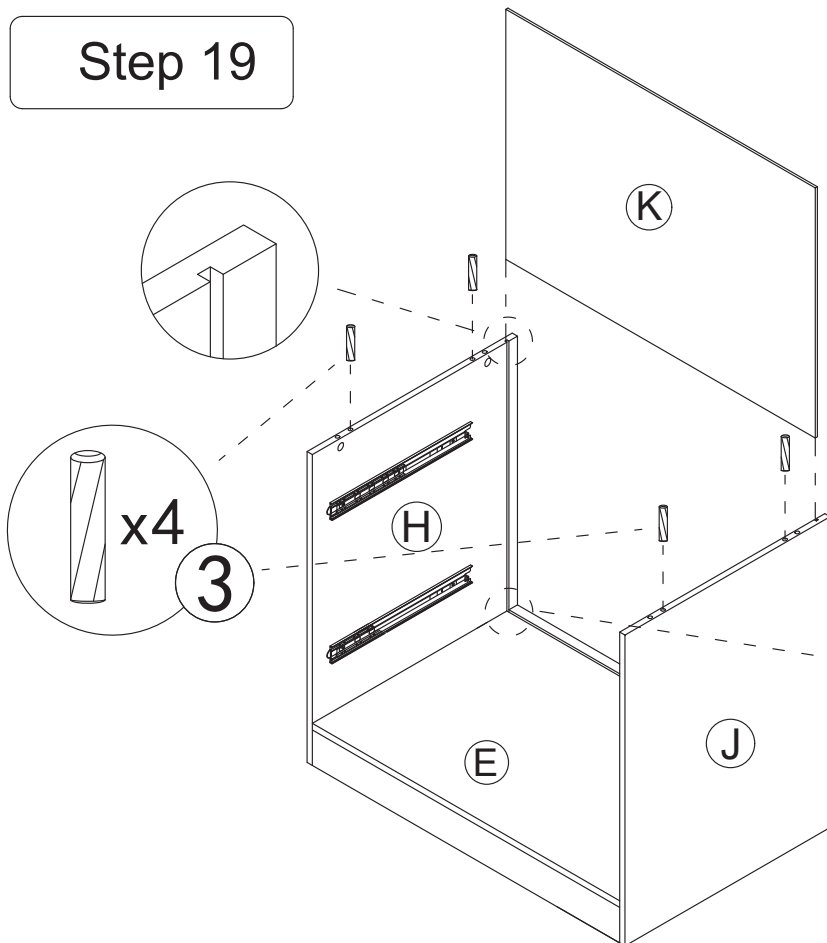
Tear off release paper and stick the black foot pad on the board



x5

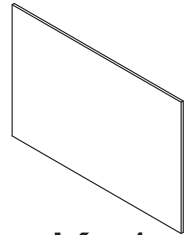
7

Step 19



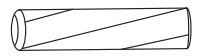
x4

3



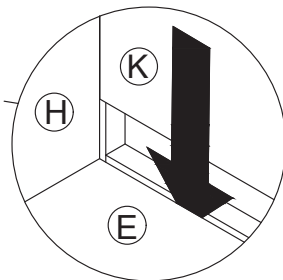
Kx1

3

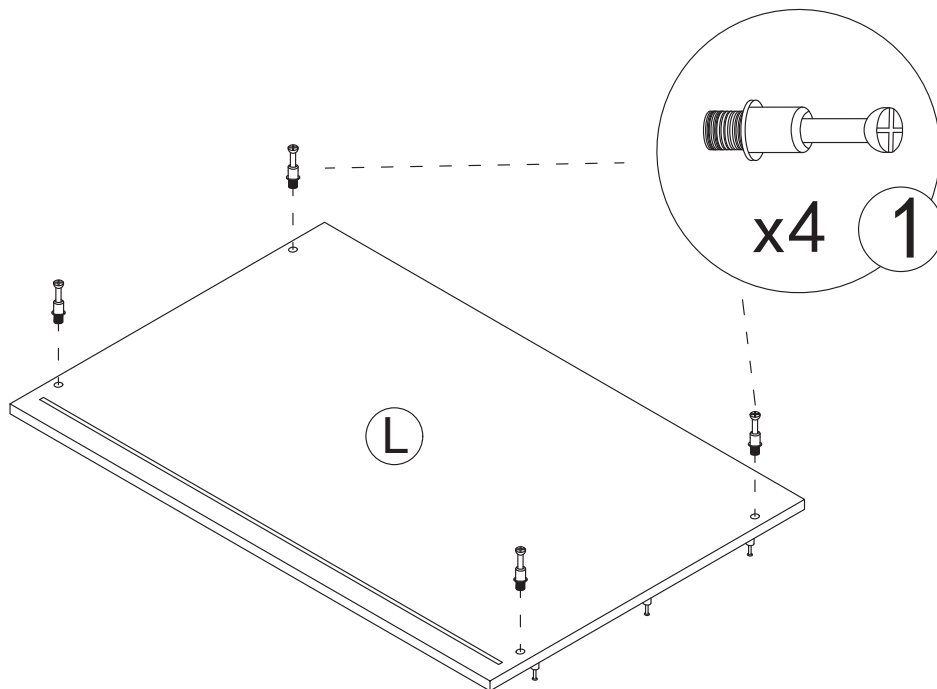
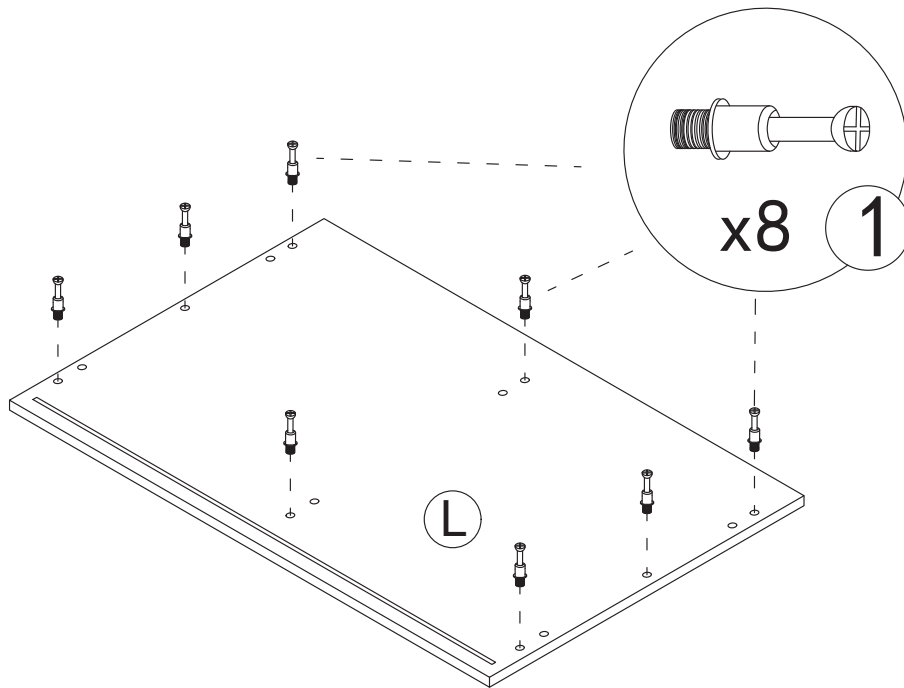
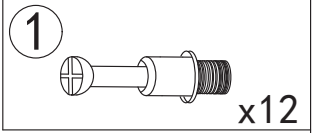


x4

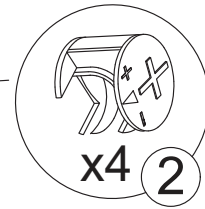
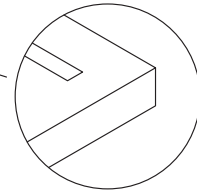
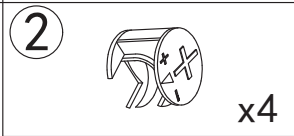
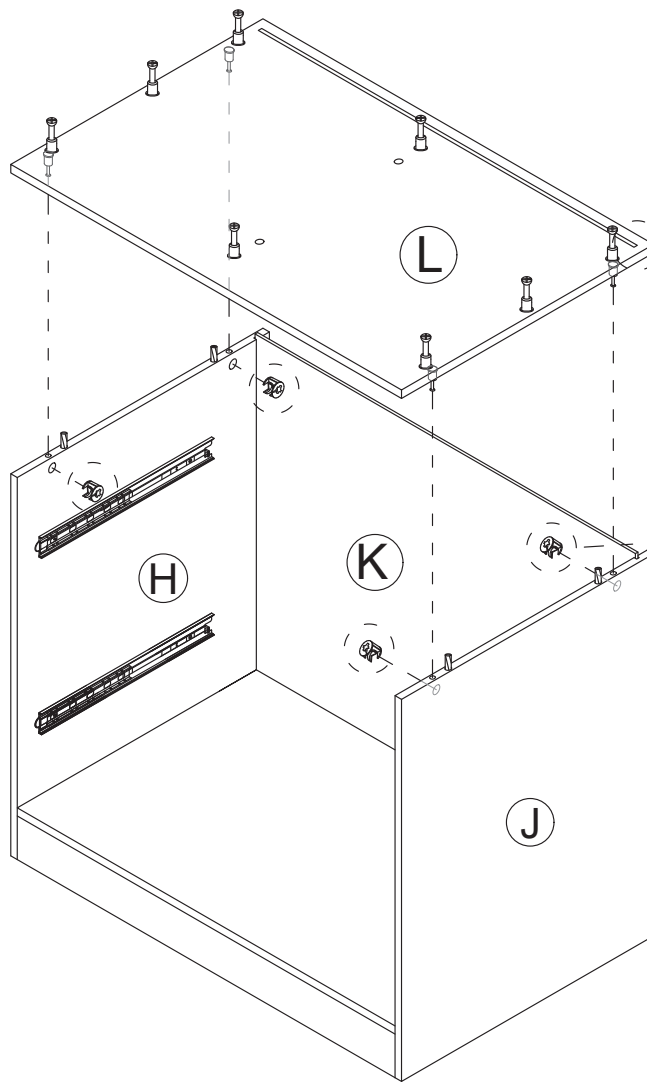
Insert the board into the slot



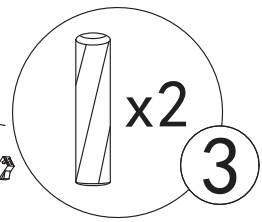
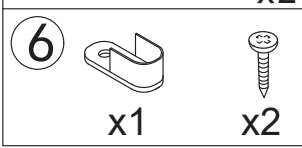
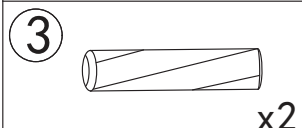
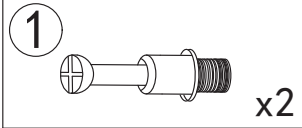
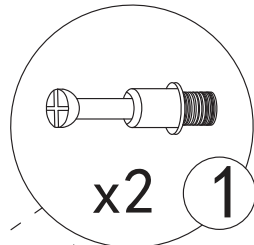
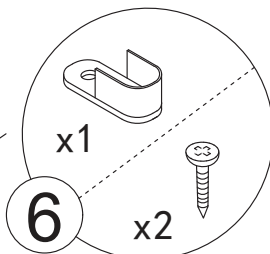
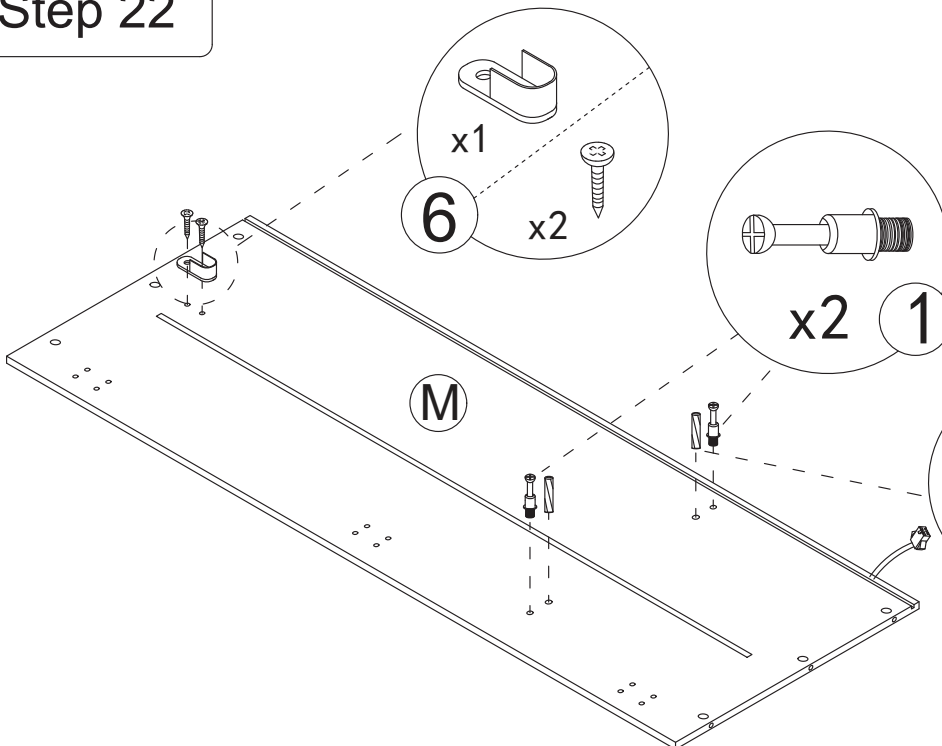
Step 20



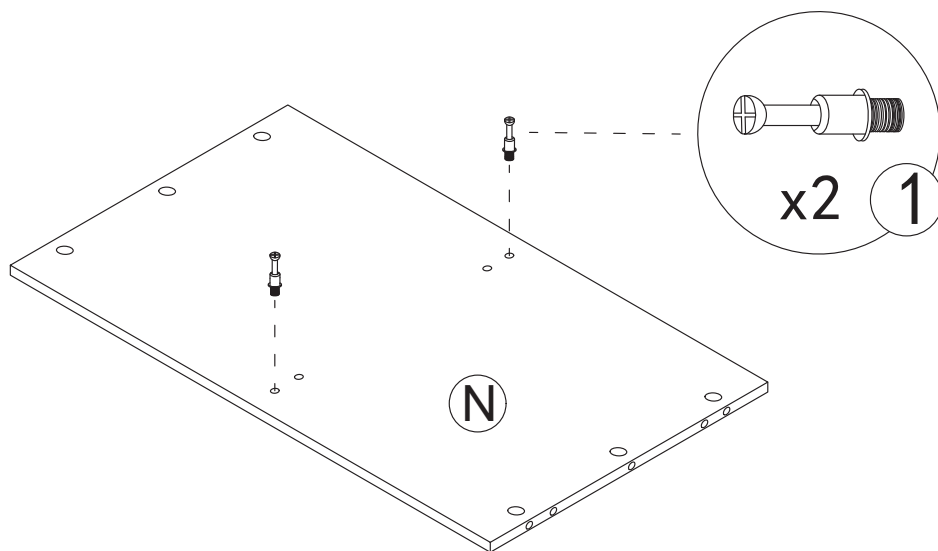
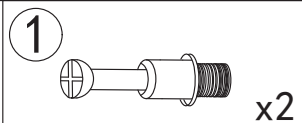
Step 21



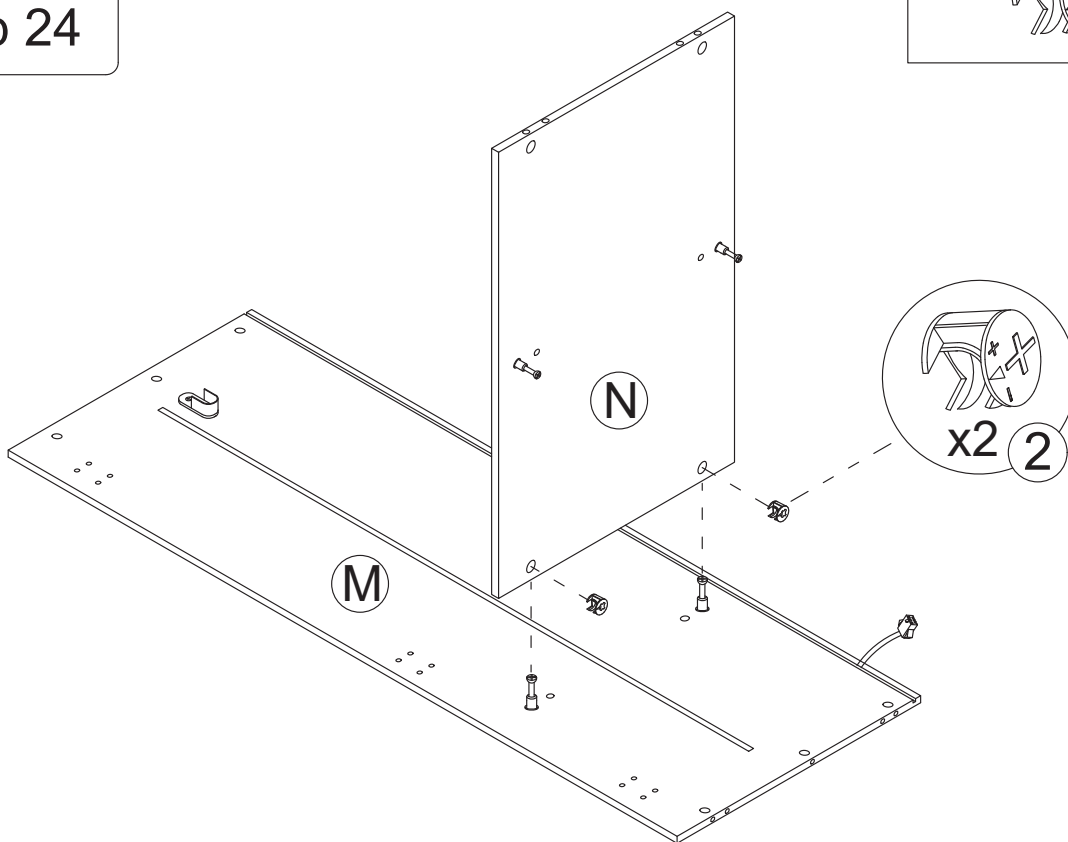
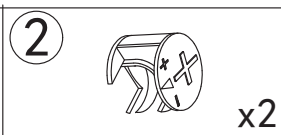
Step 22



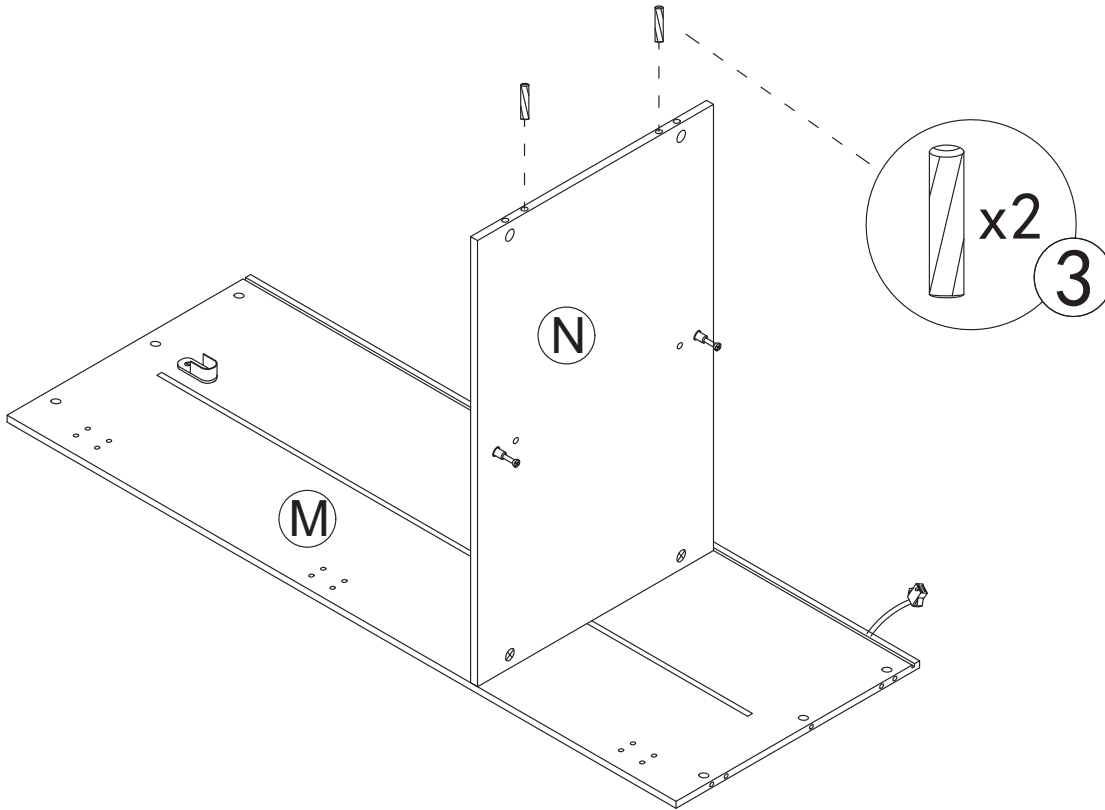
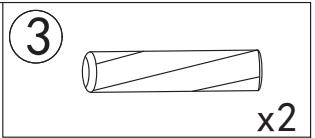
Step 23



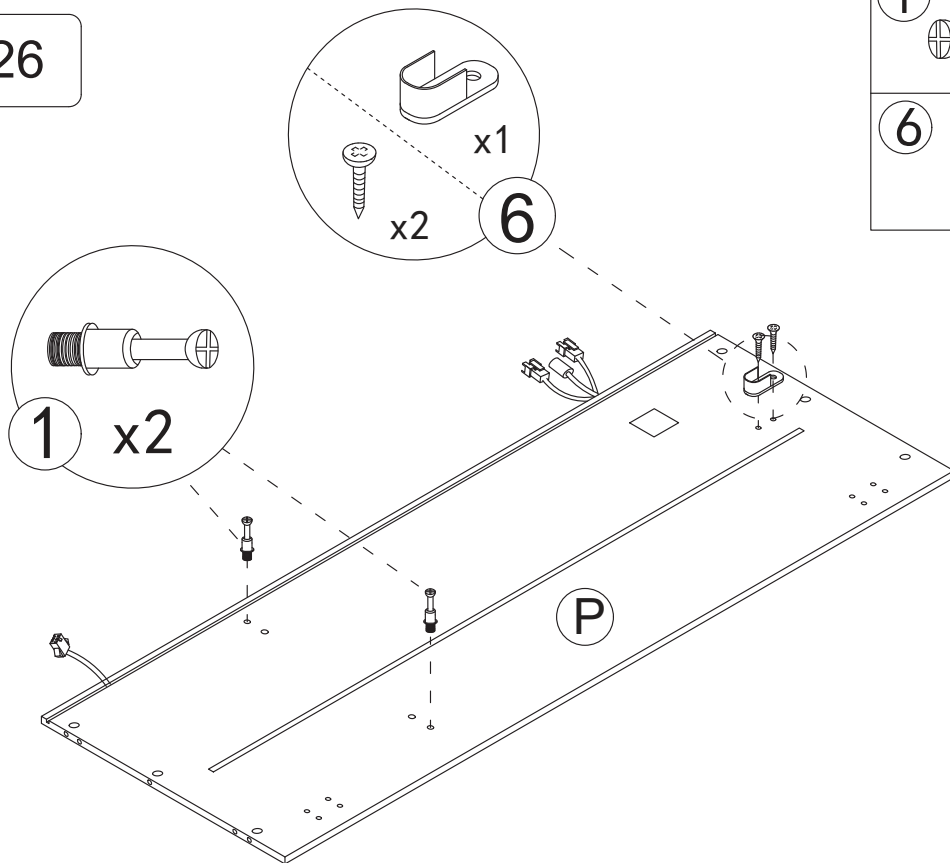
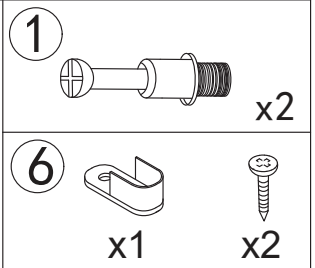
Step 24



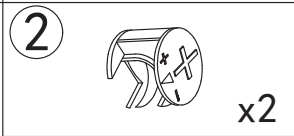
Step 25



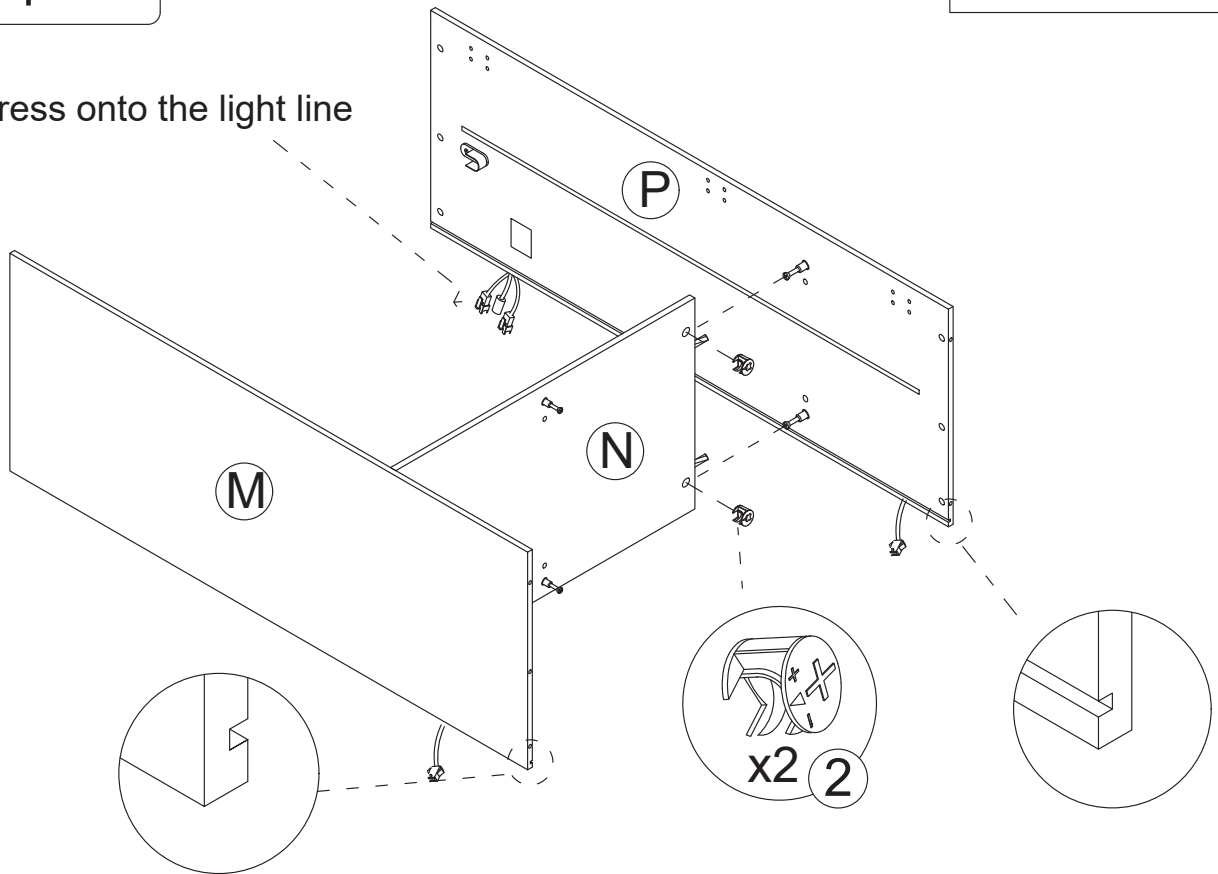
Step 26



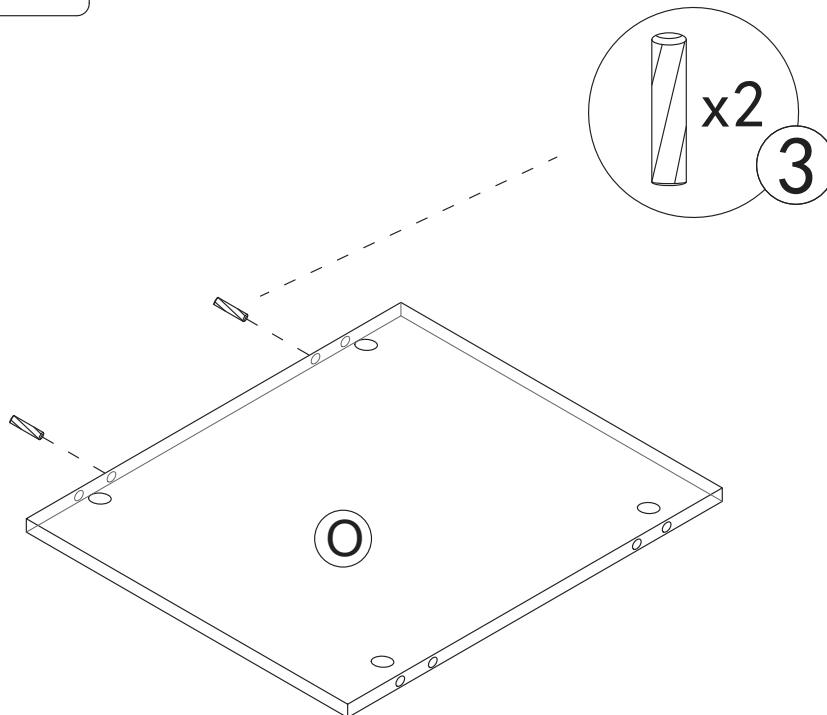
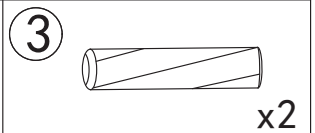
Step 27




Do not press onto the light line

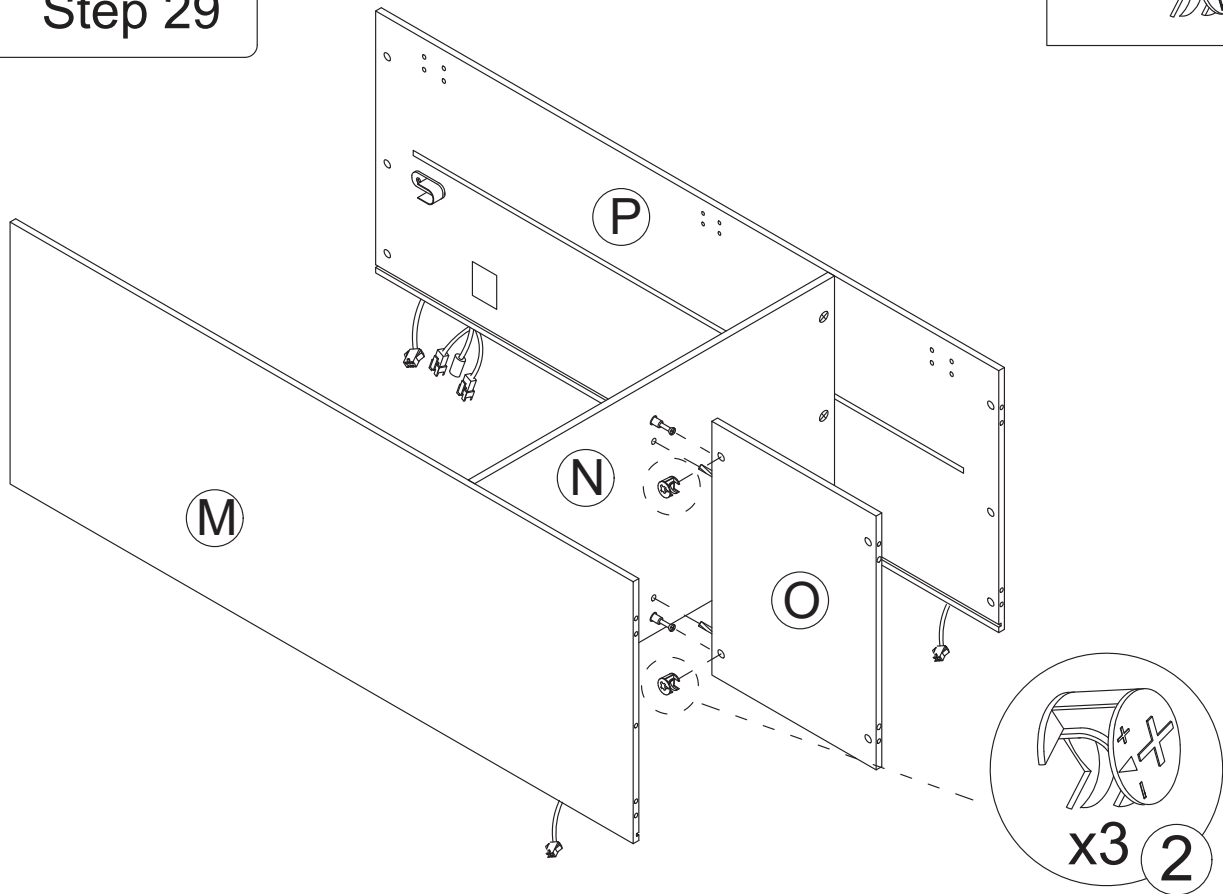


Step 28

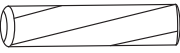


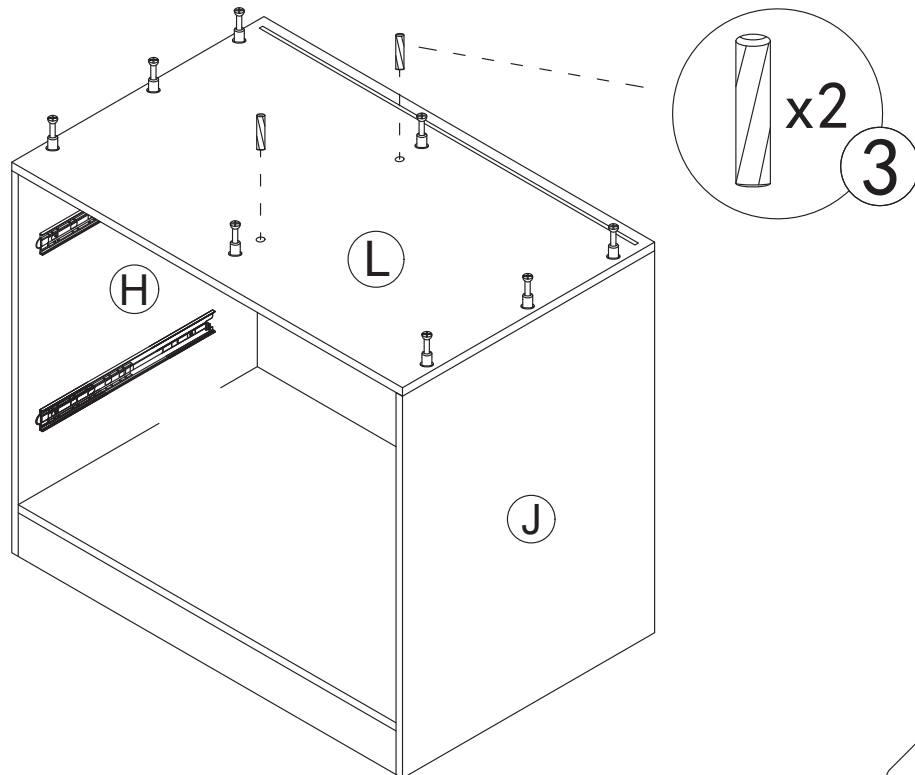
Step 29

2  x2




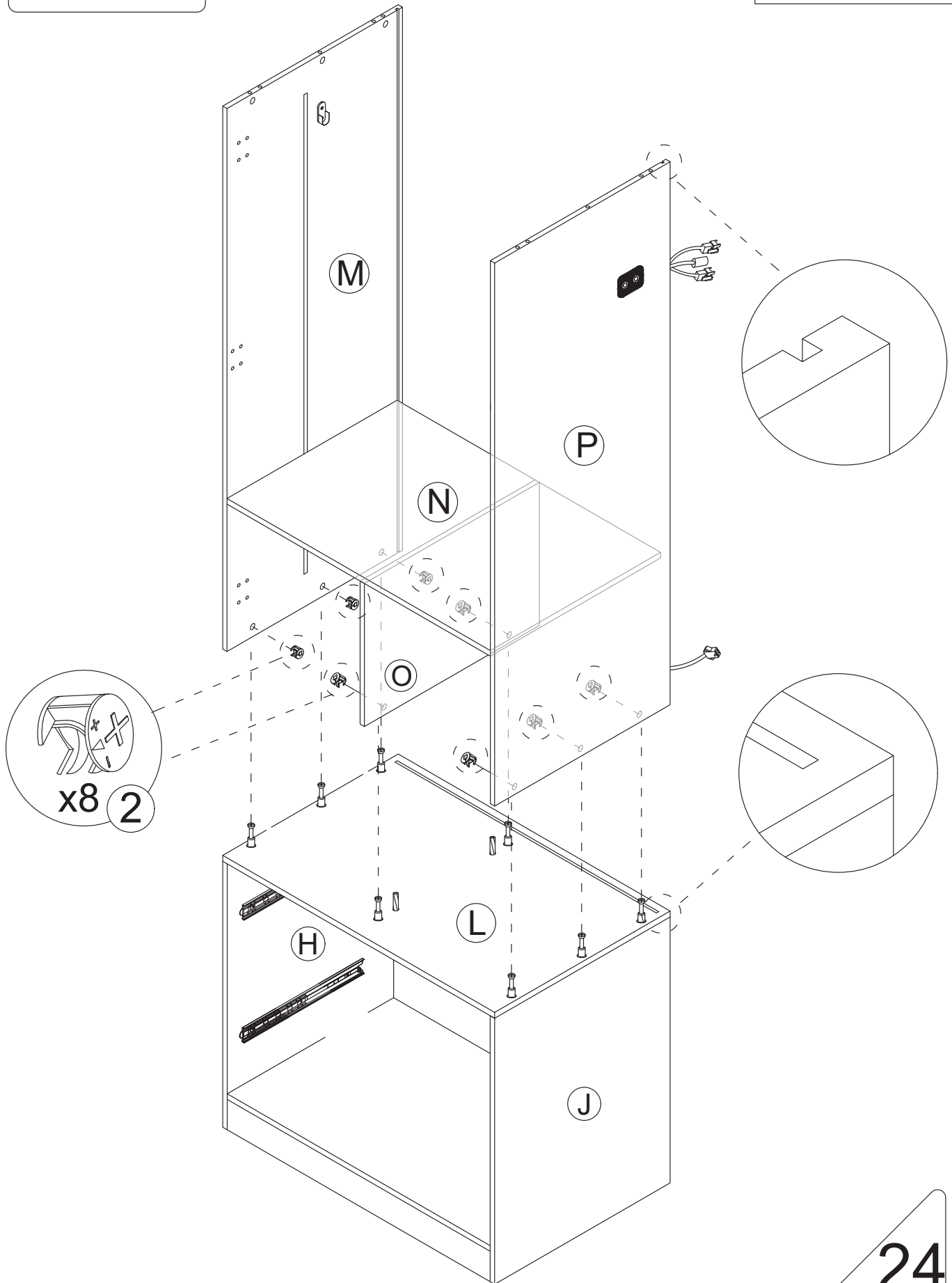
Step 30

3  x2

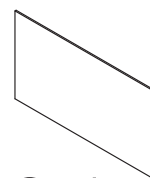


Step 31

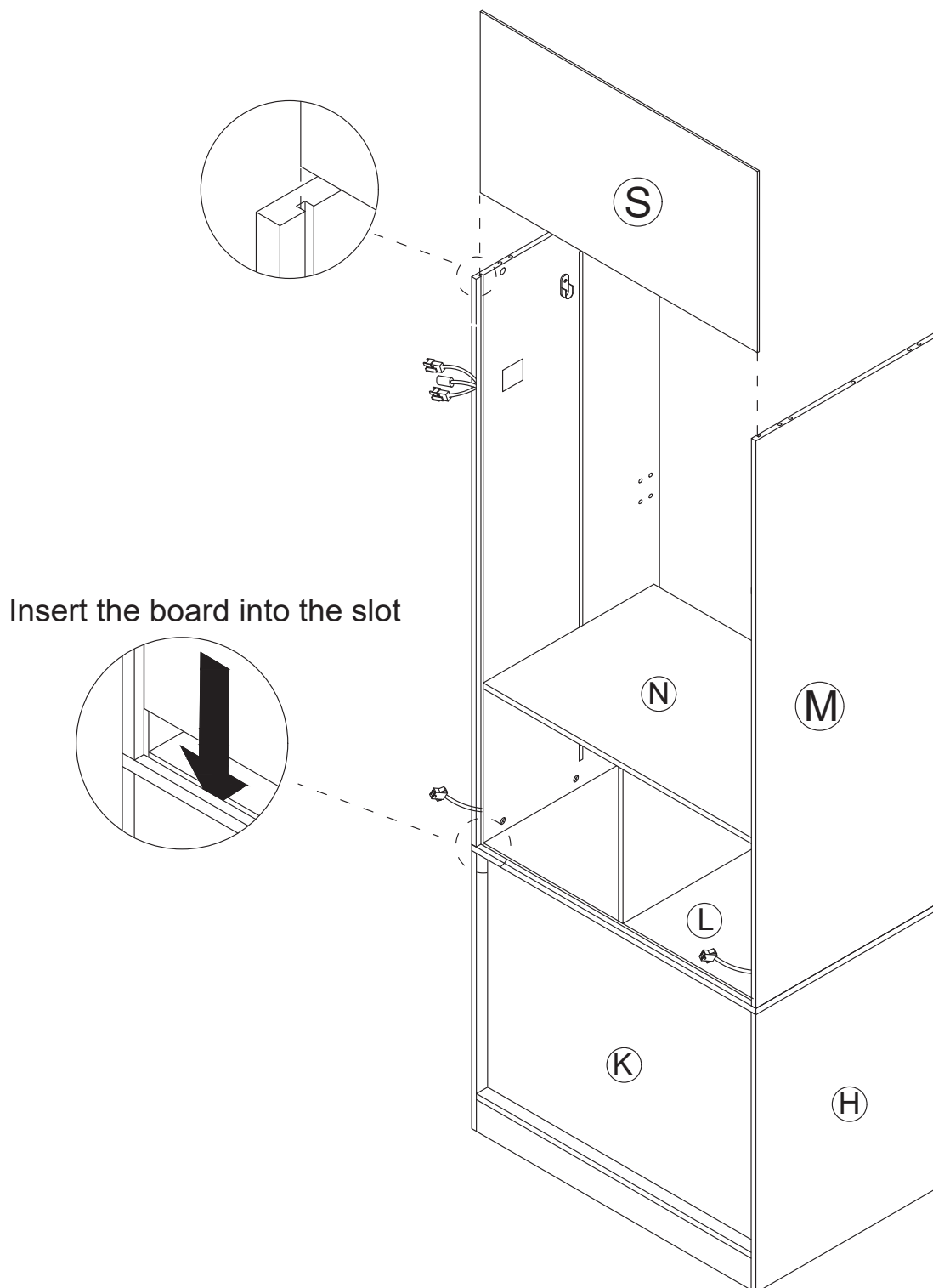
2  x8



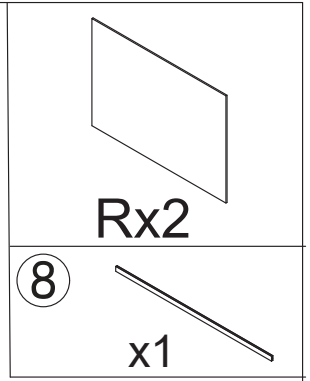
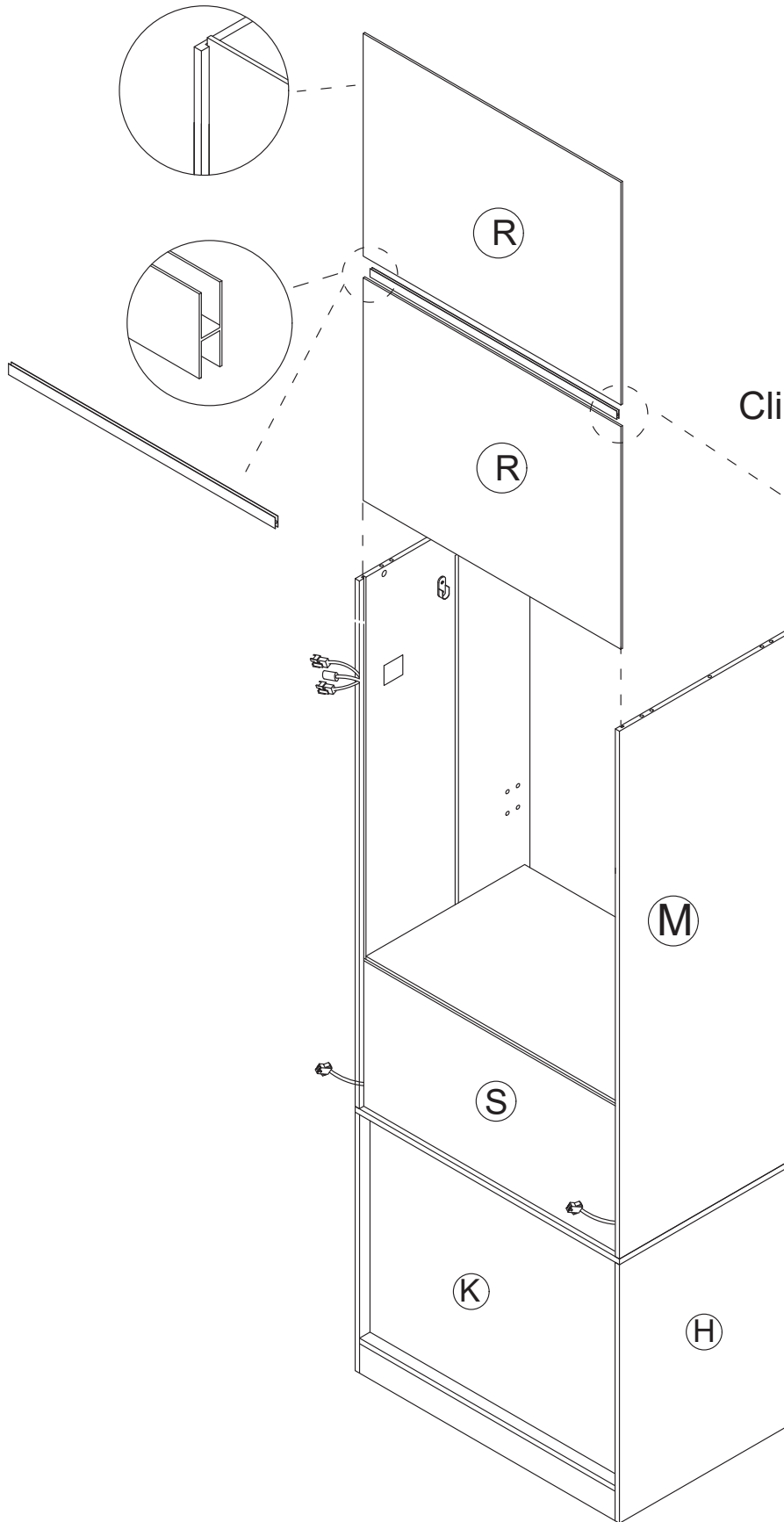
Step 32



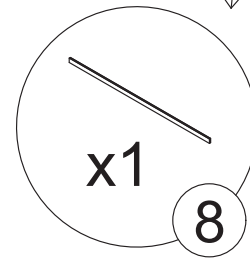
Sx1



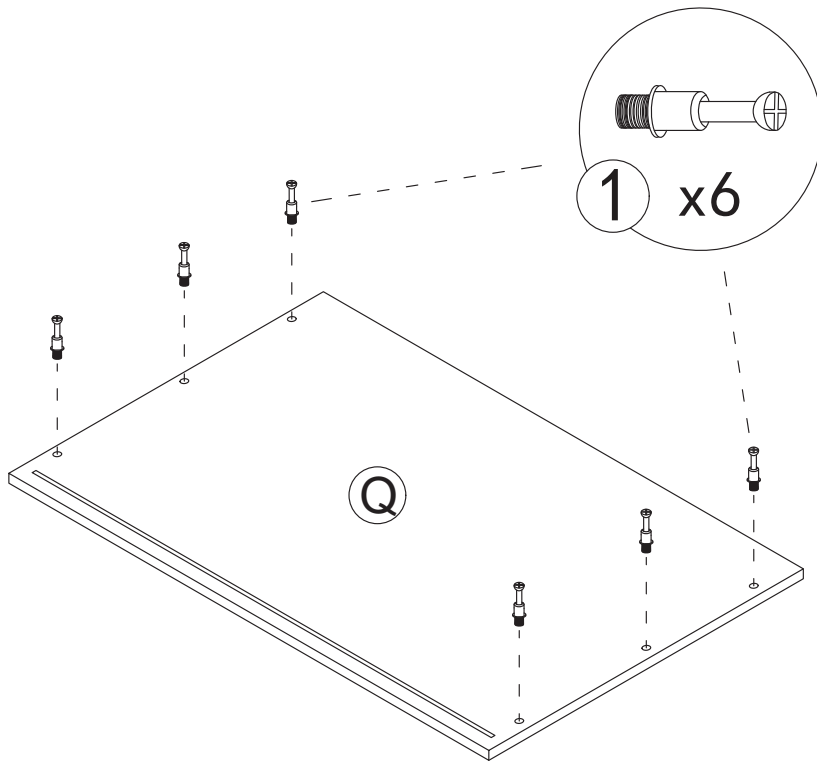
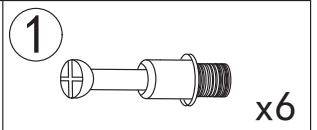
Step 33




Clip in the two backboards

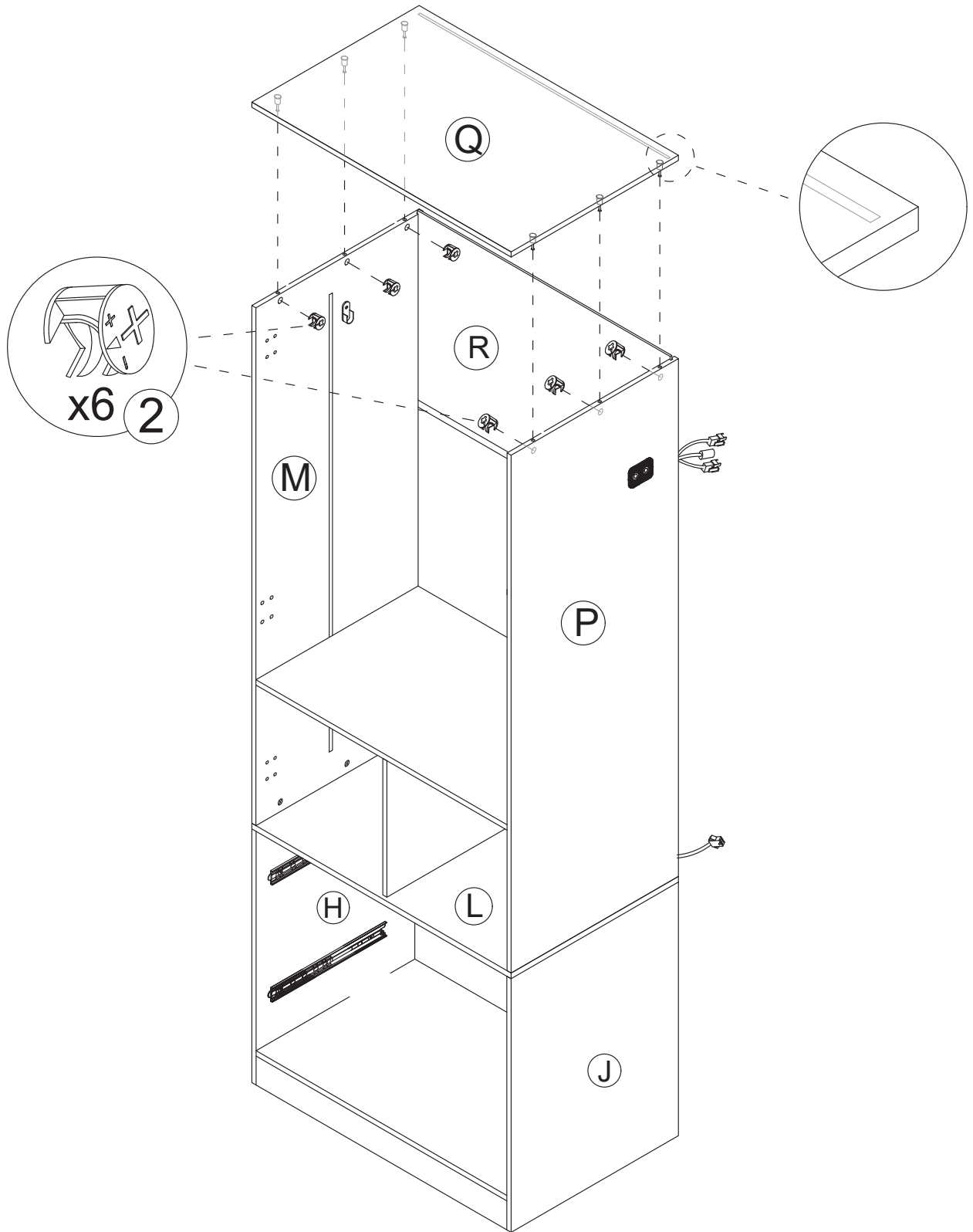


Step 35



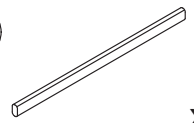
Step 36

2  x6

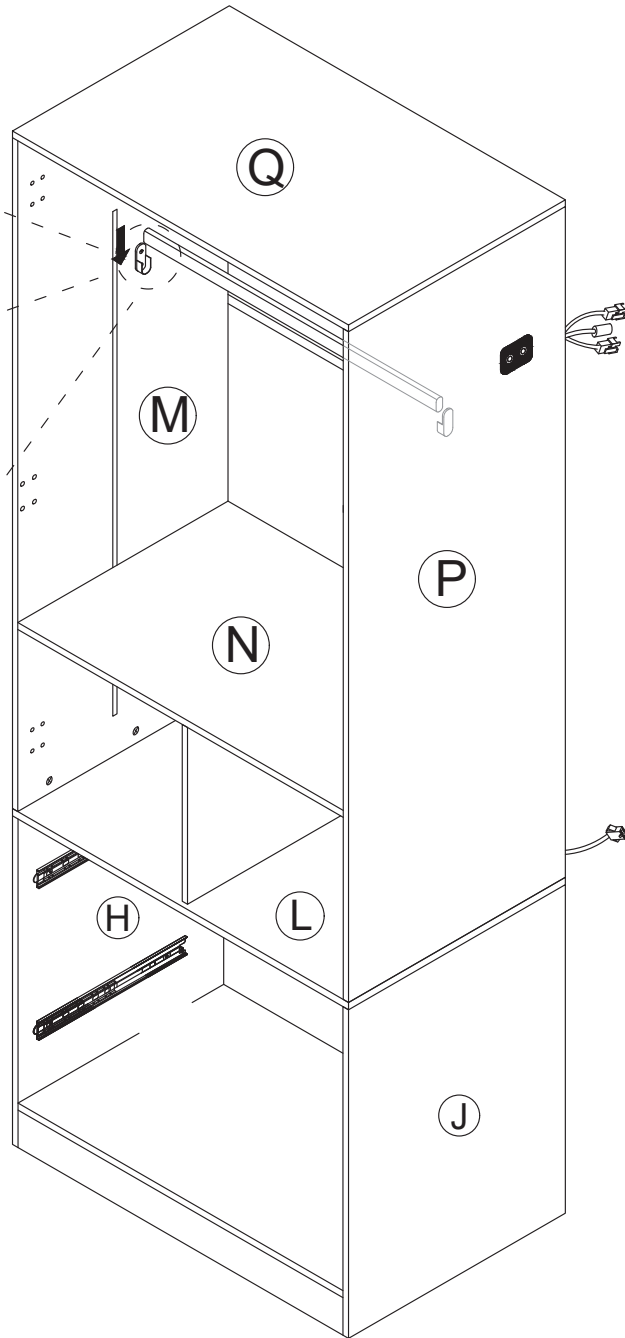
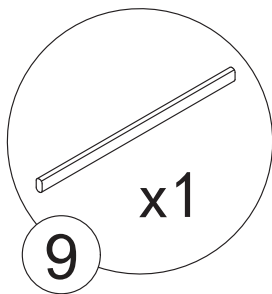
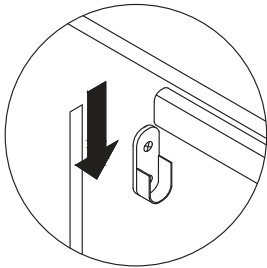
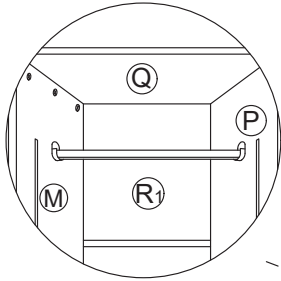


Step 37

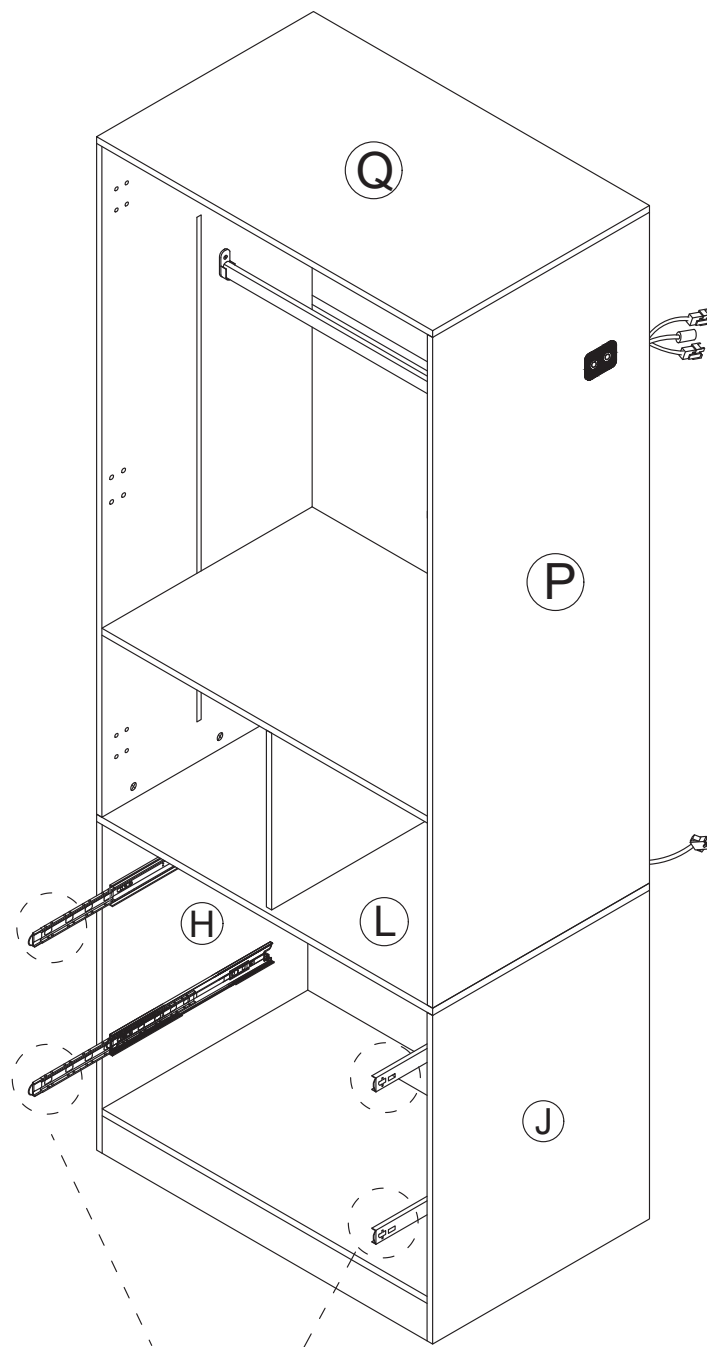
9



x1

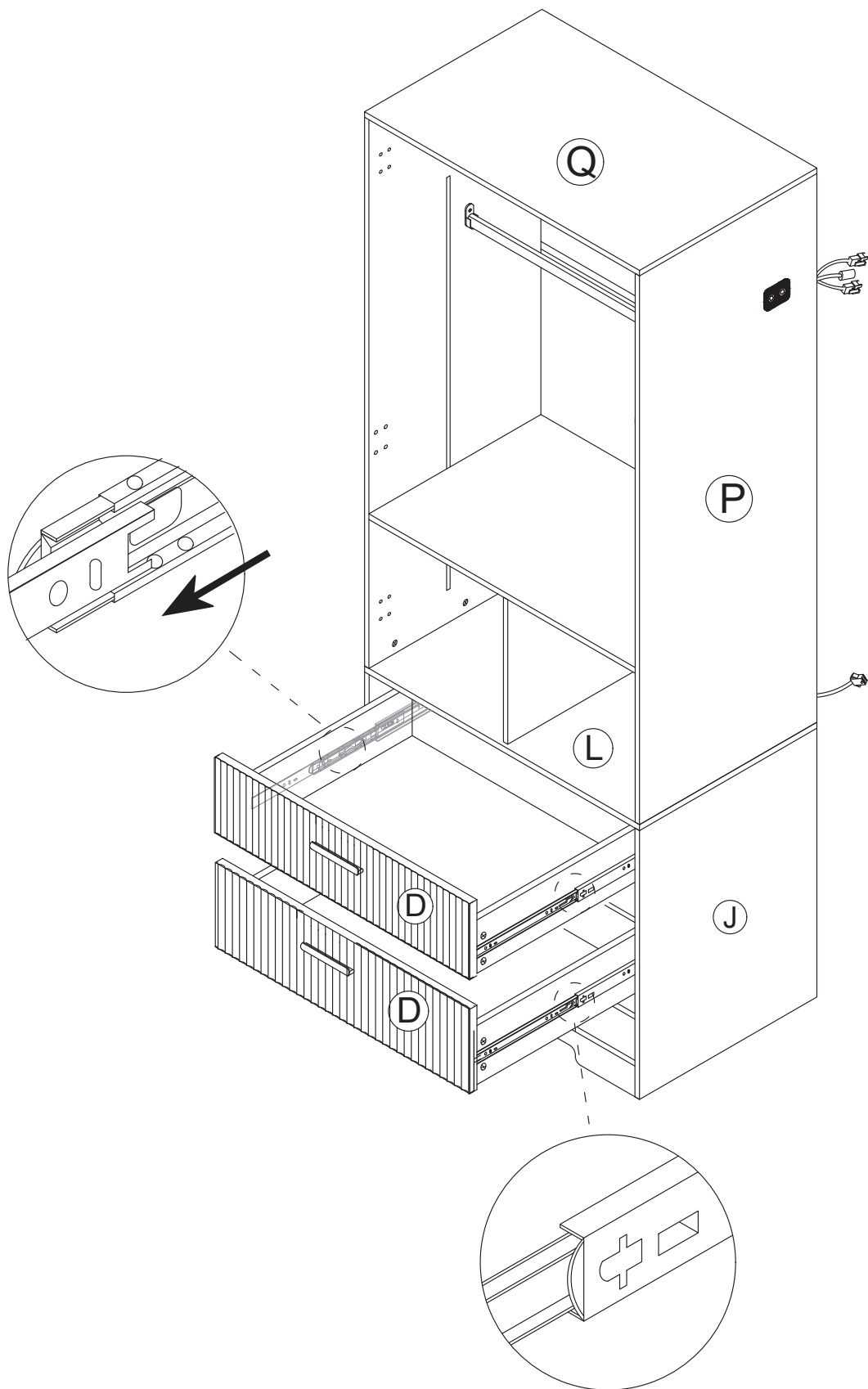


Step 38

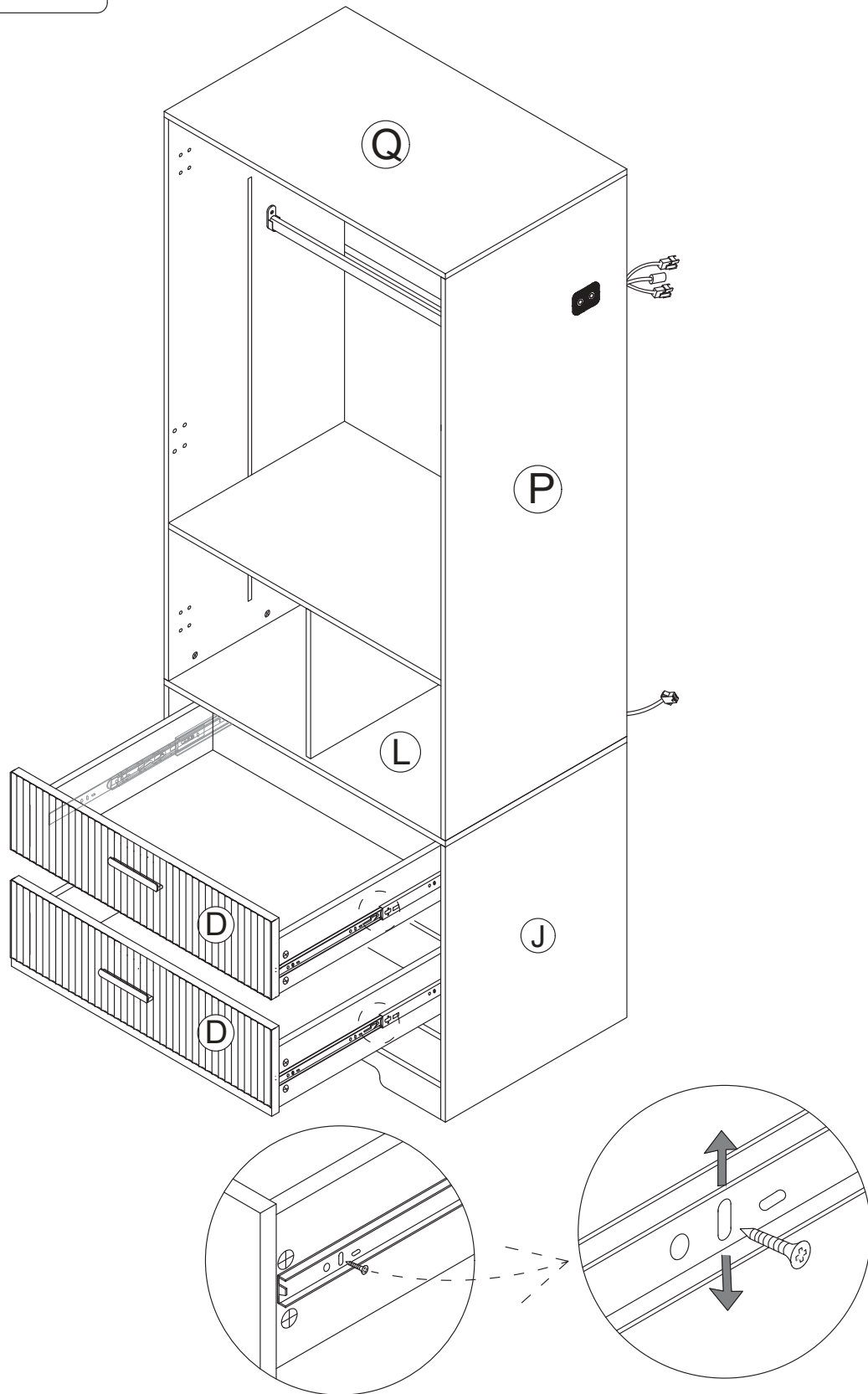


As shown, When installing the drawer, pull the guide rail out first, Slide beads are also pulled out.

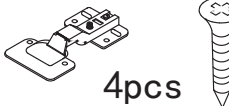

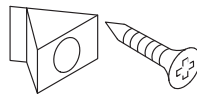
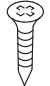
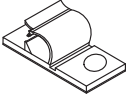




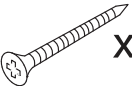

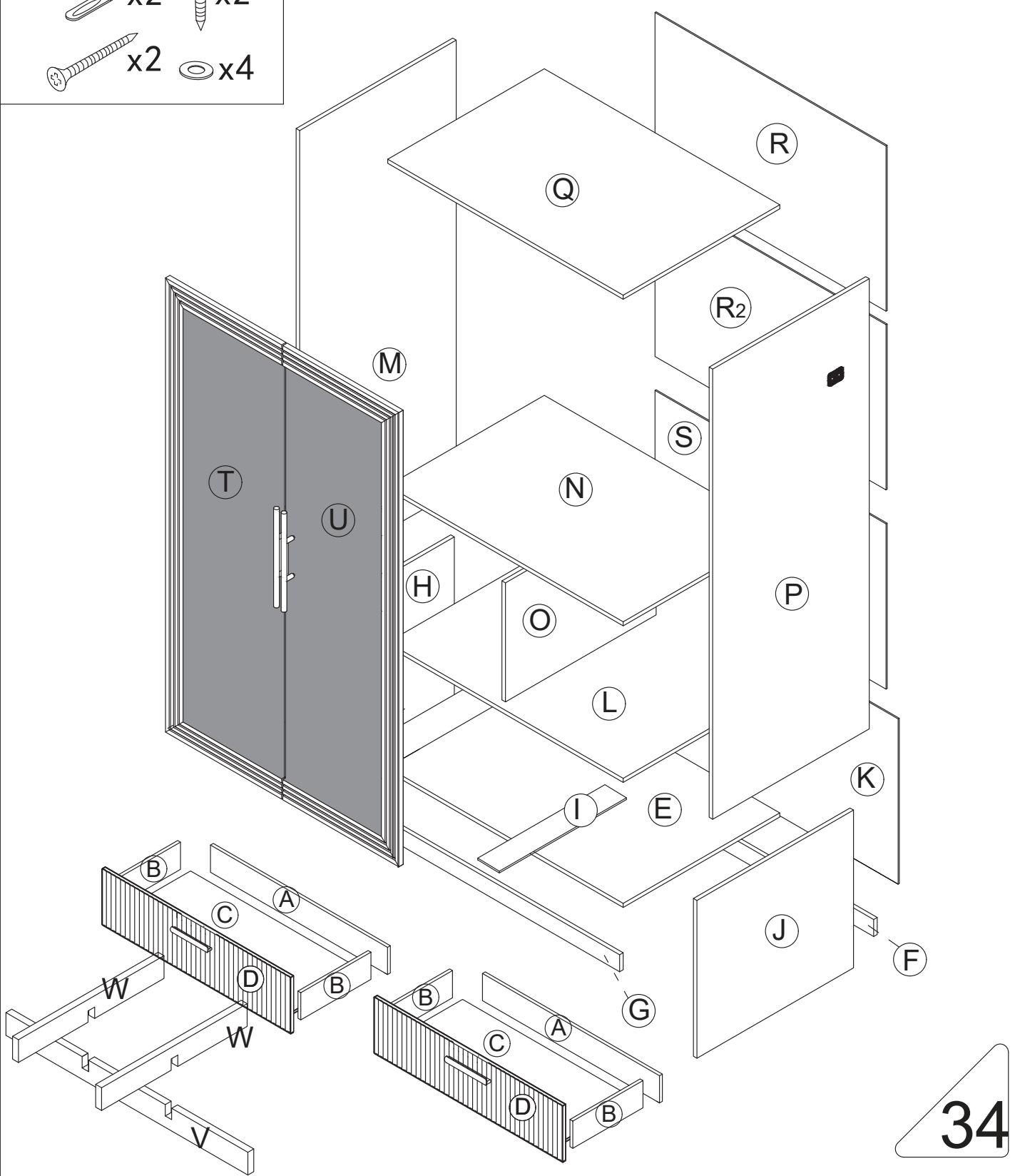
Step 39

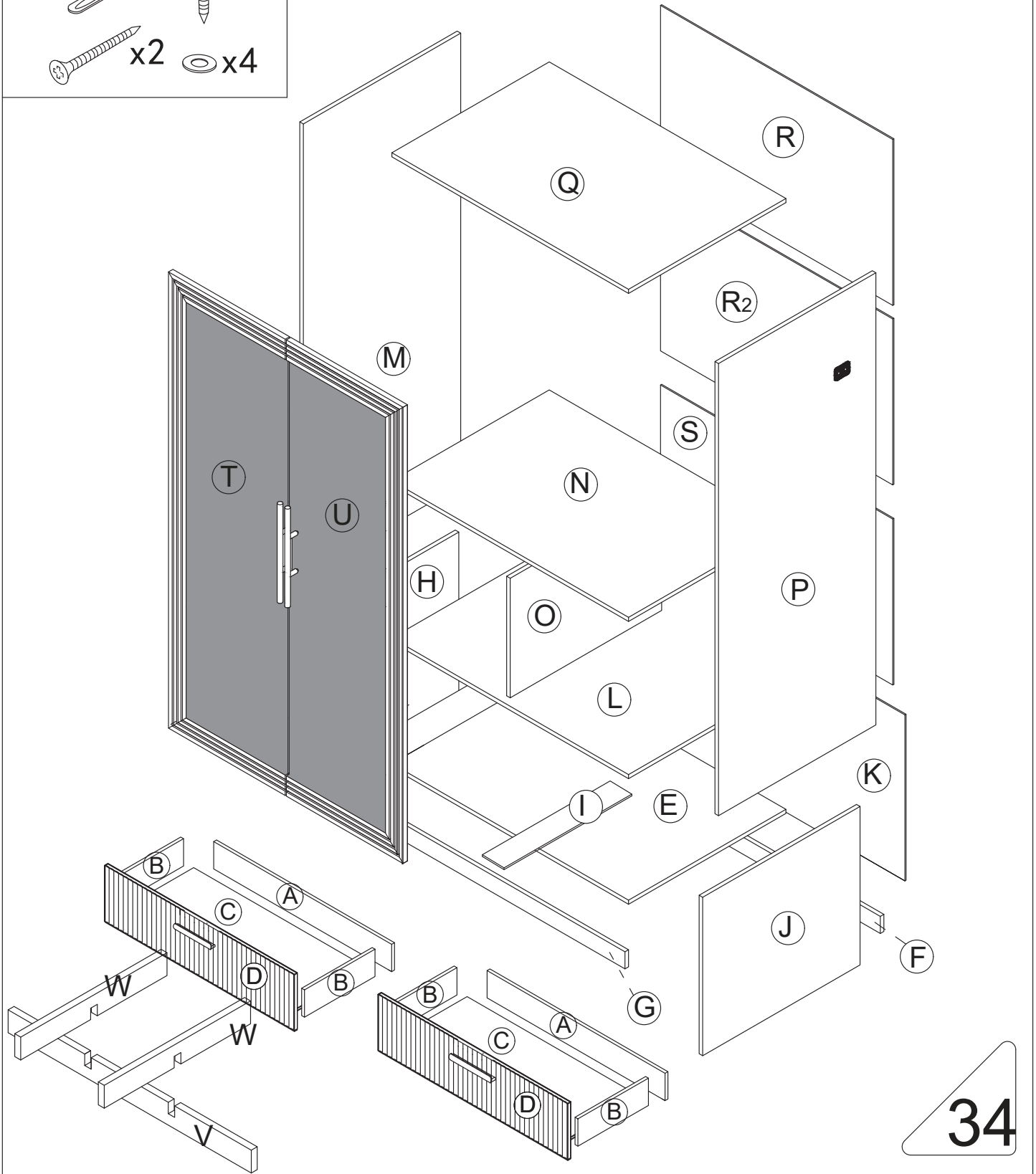


Step 40



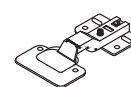
If a large gap is found after installing the drawer the slide rail can be moved up and down to adjust the gap

10	 4pcs 8pcs	12	 2pcs 4pcs	14		12pcs
11	 16pcs	13	 2pcs	15	 2pcs	1pcs
16  x2  x2  x2  x2  x4						



Step 41

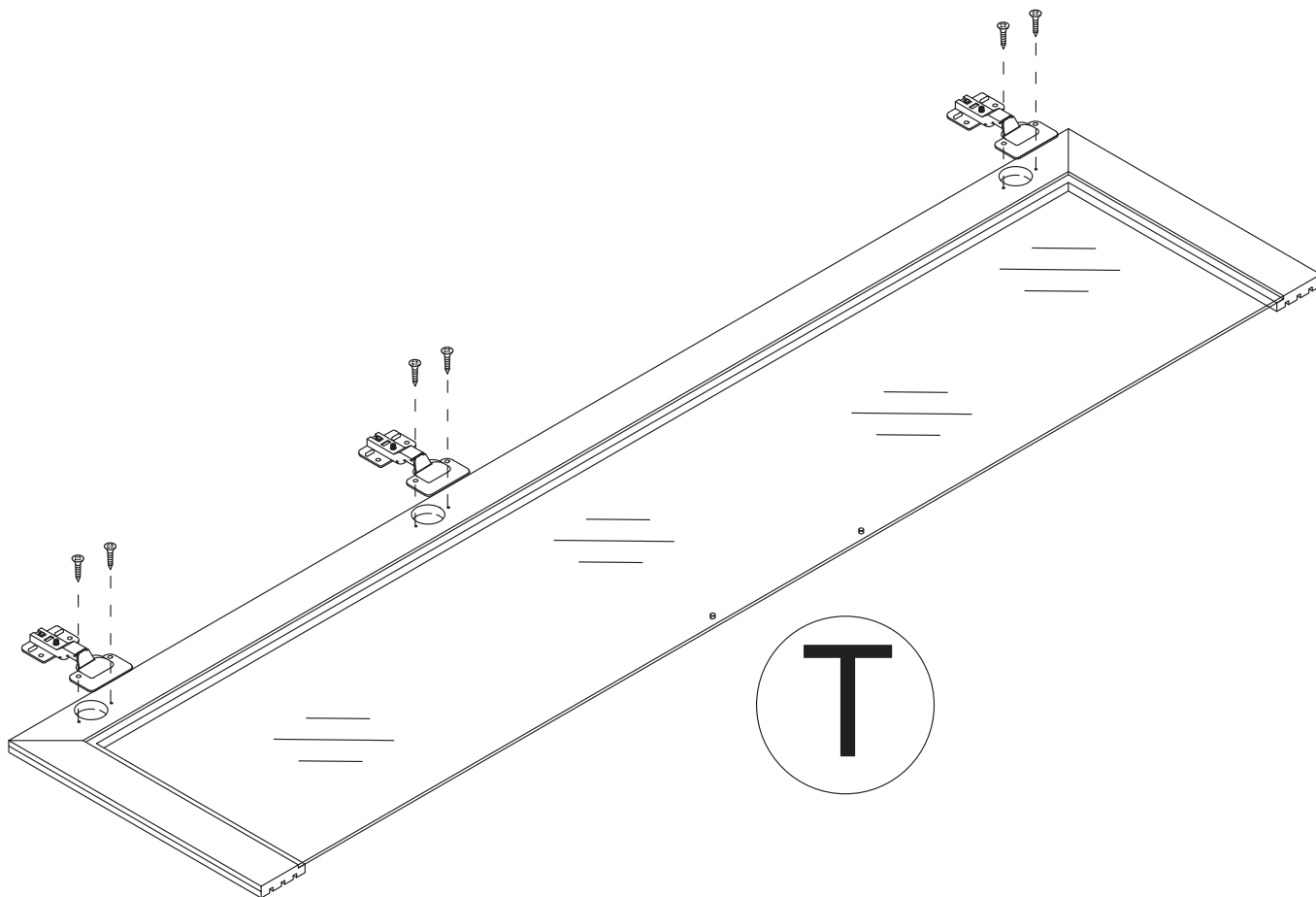
10



x3

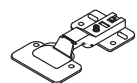


x8



Step 42

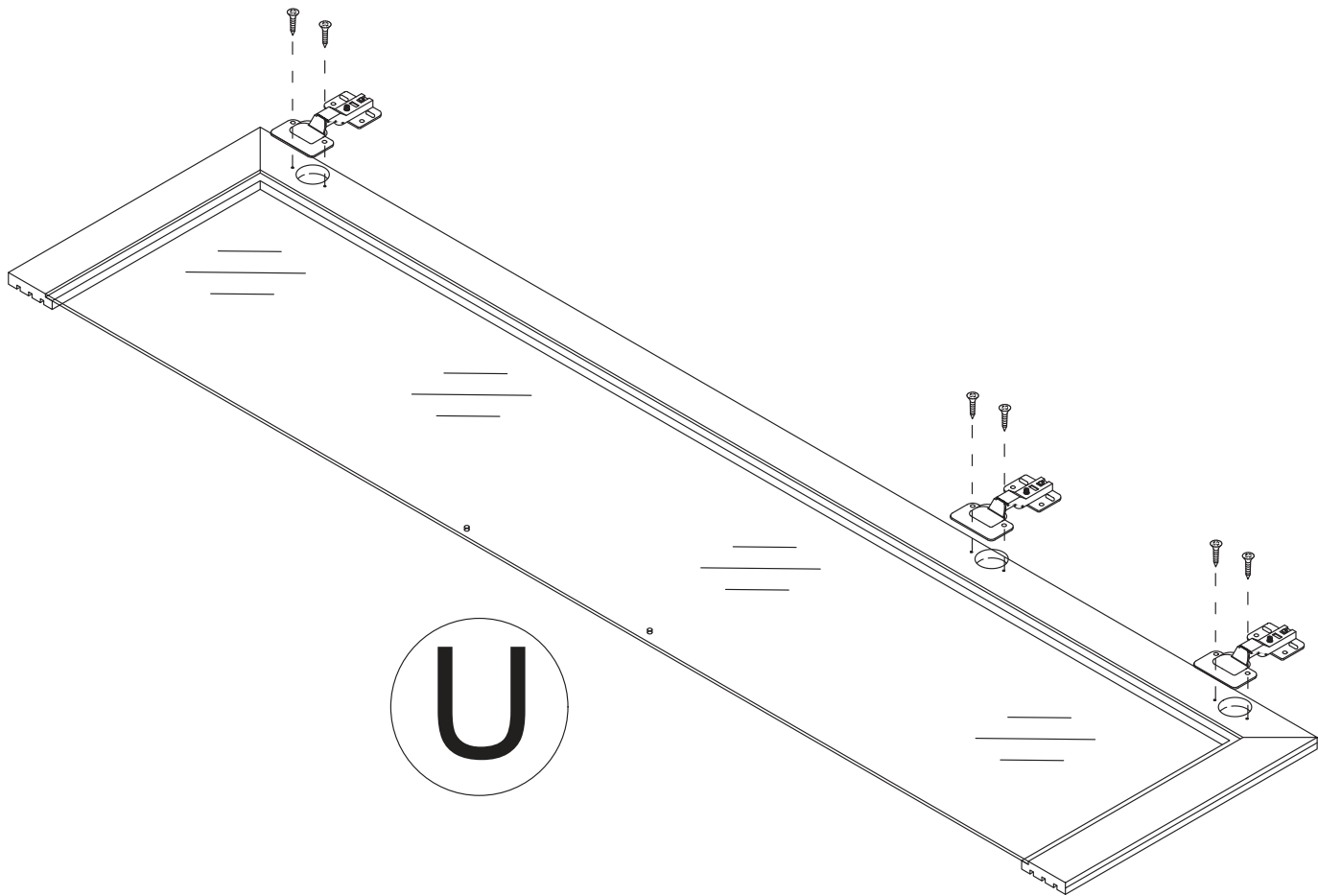
10



x3

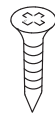


x8

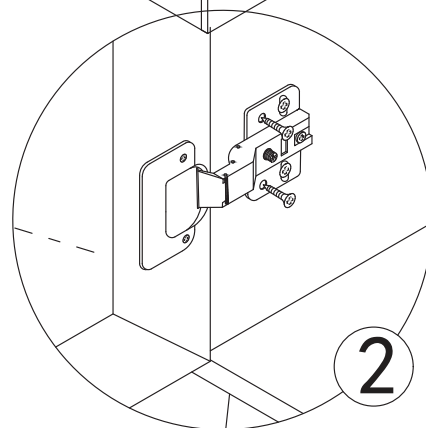
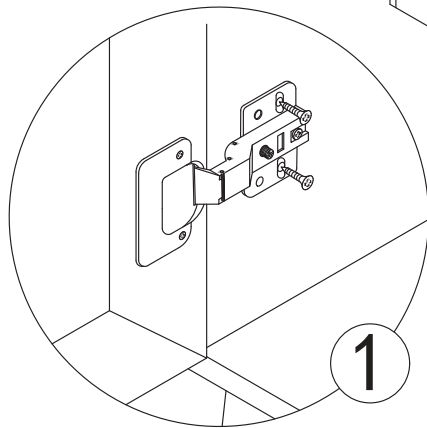
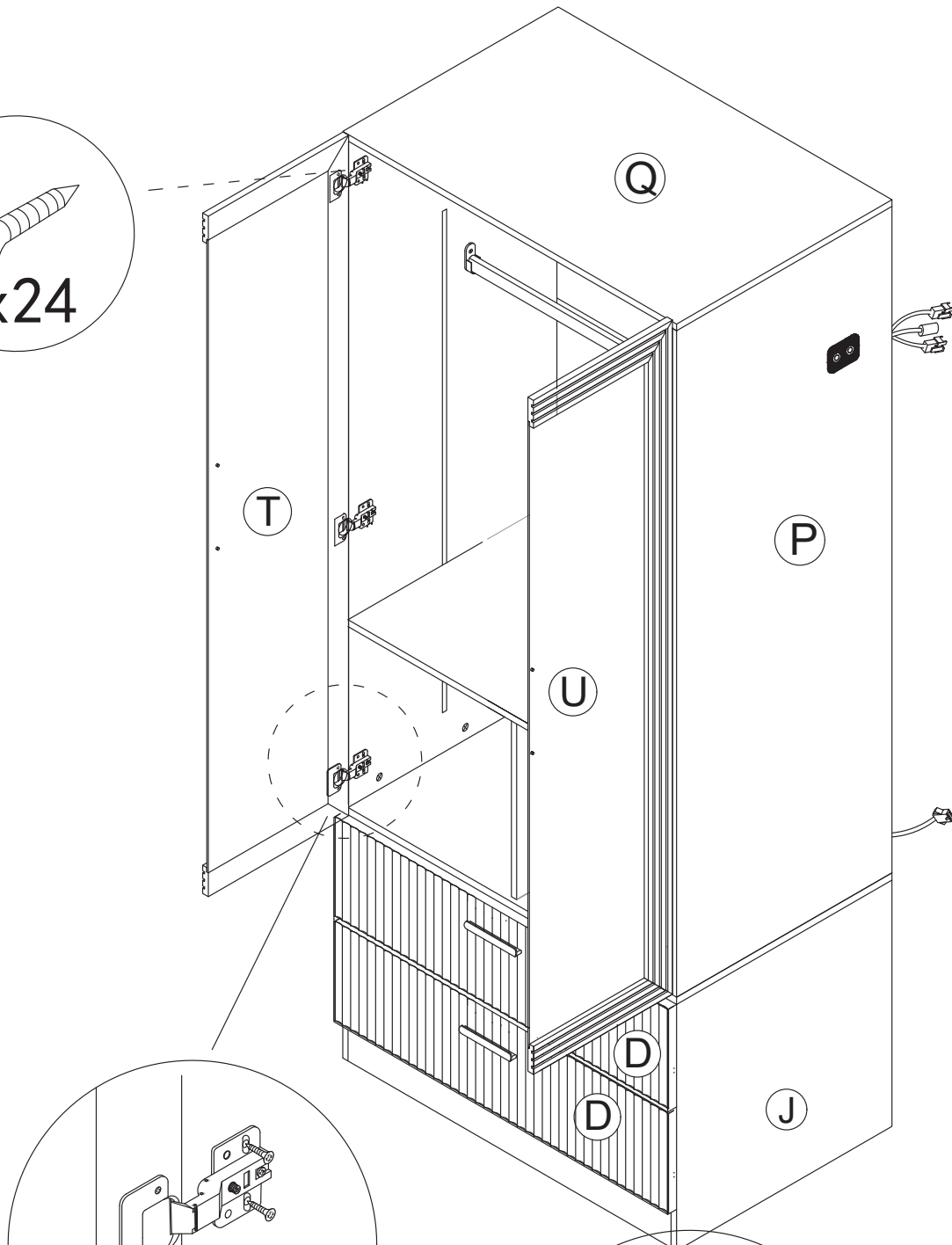
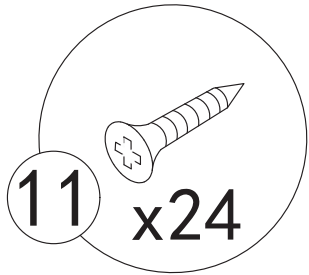


Step 43

11





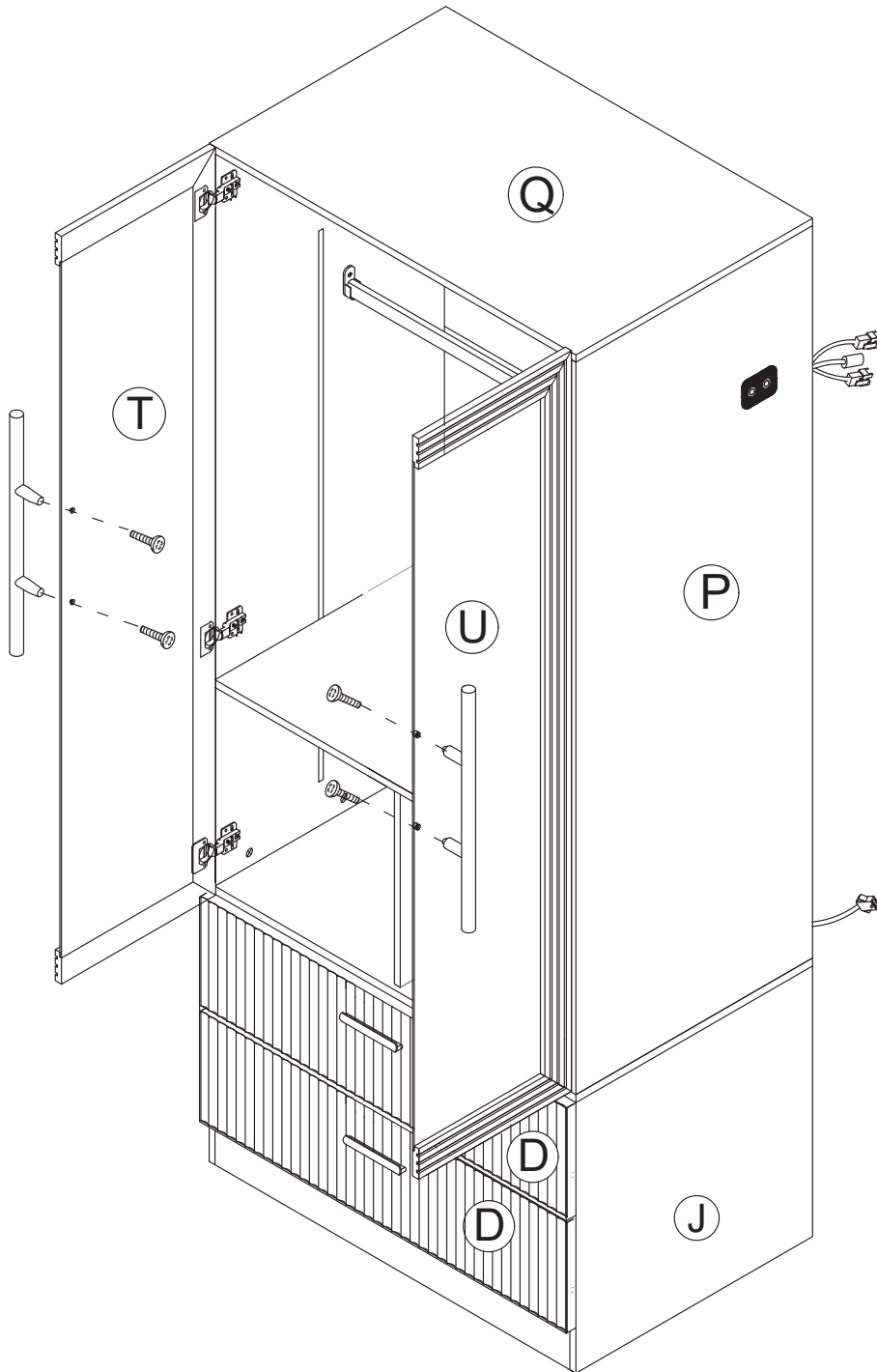
x24



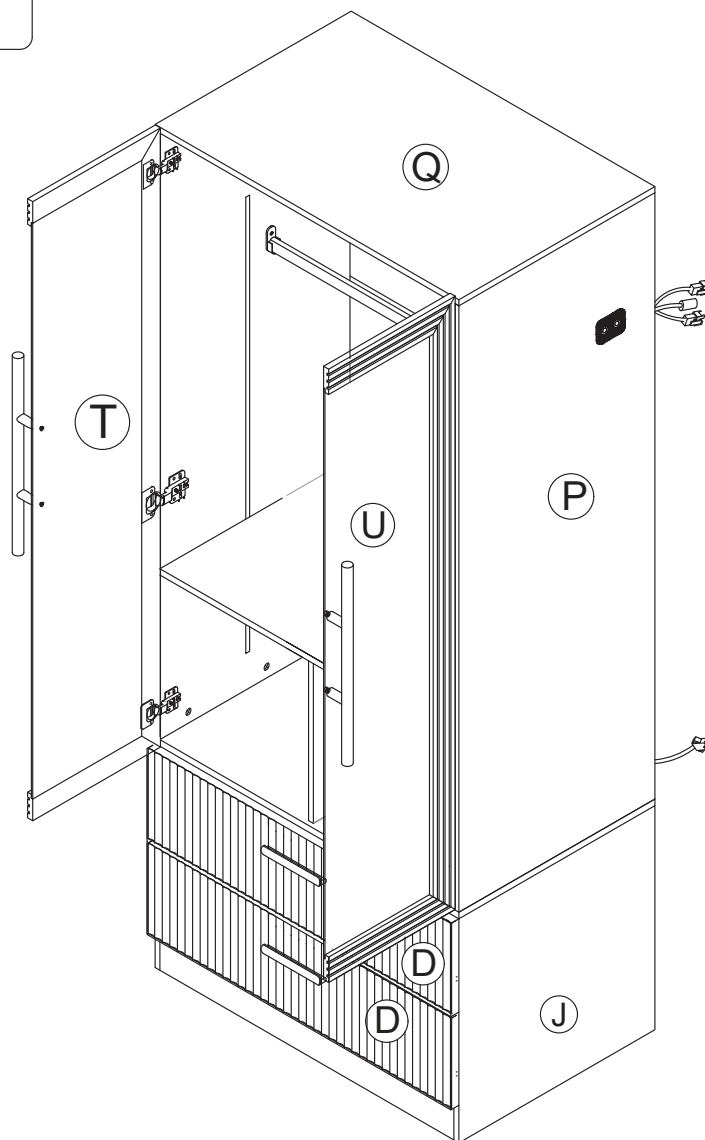
First lock the elliptical hole
then lock the fixed hole

Step 44

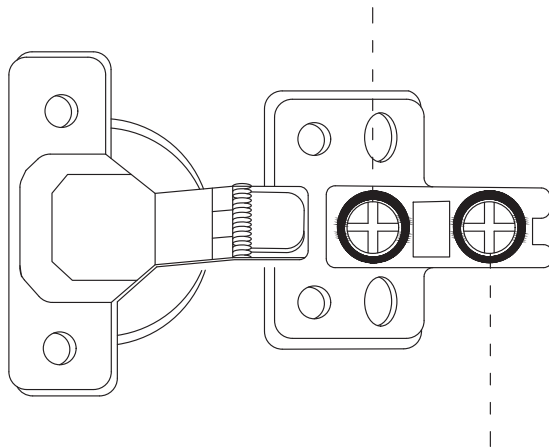
12  x2  x4



Step 45

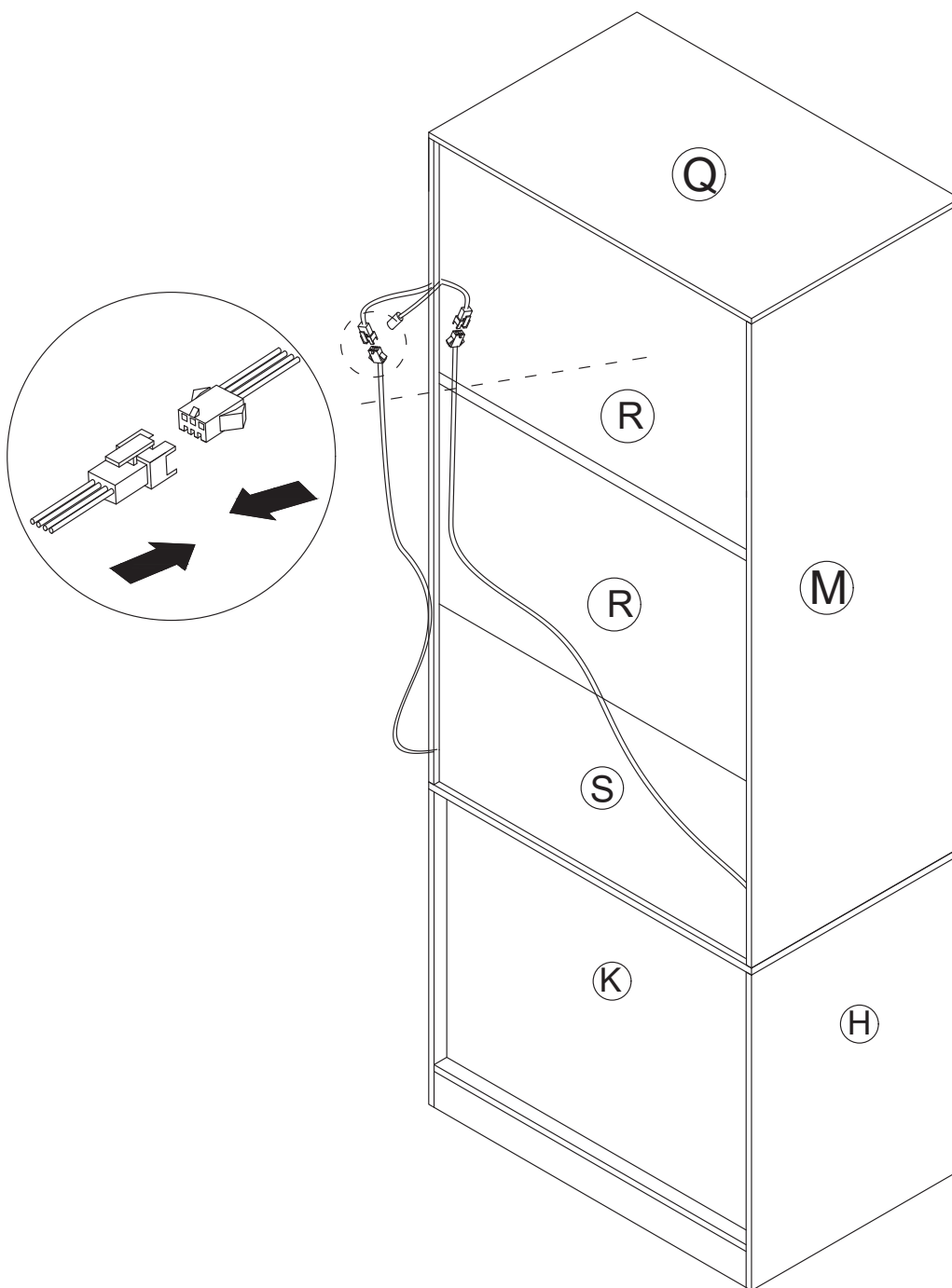


Turning this screw can effectively adjust the size of the door gap.

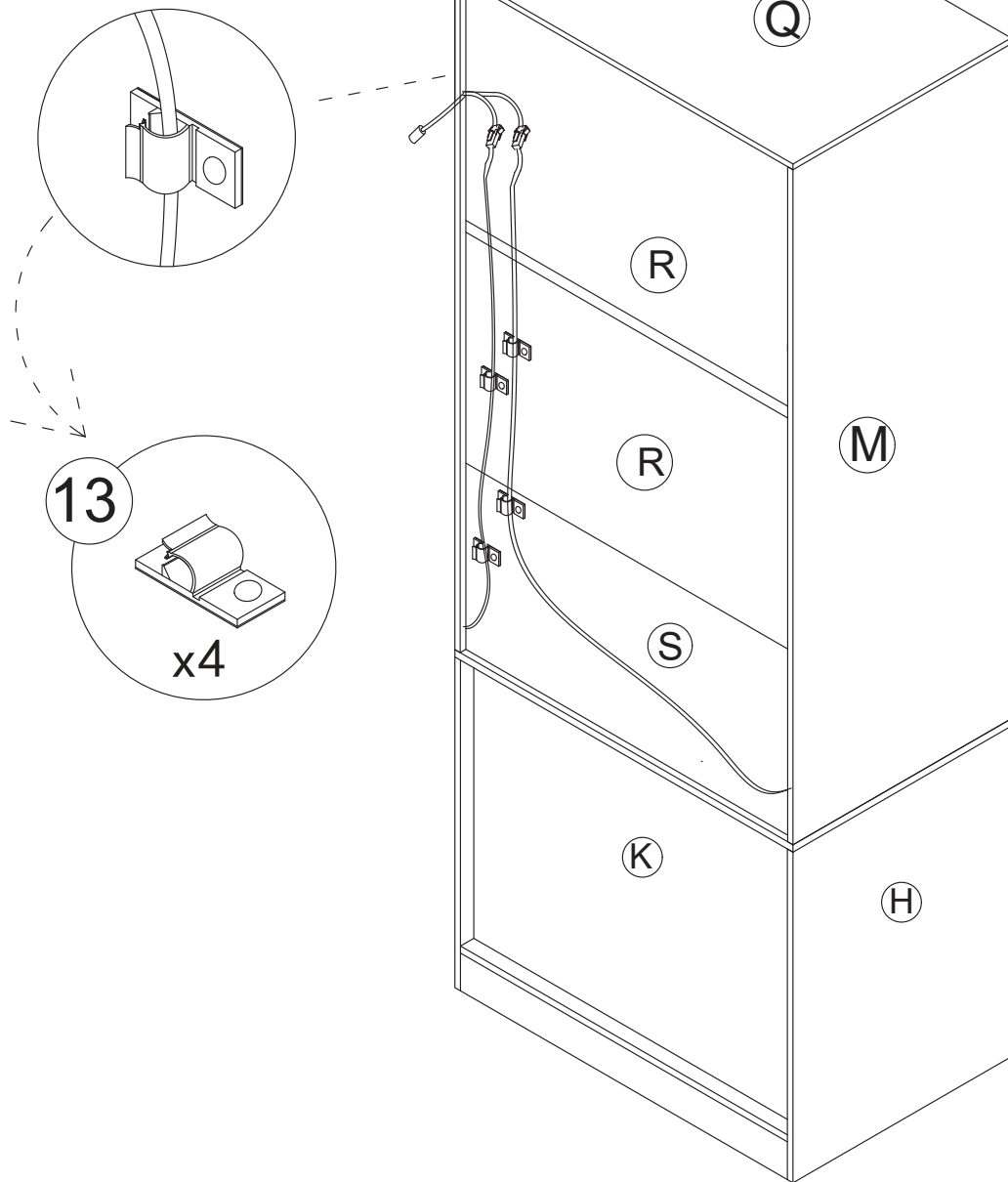
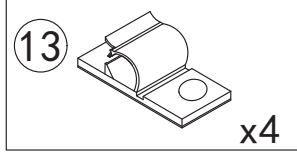


Turn this screw to adjust the door panel to be flat with the side panel.

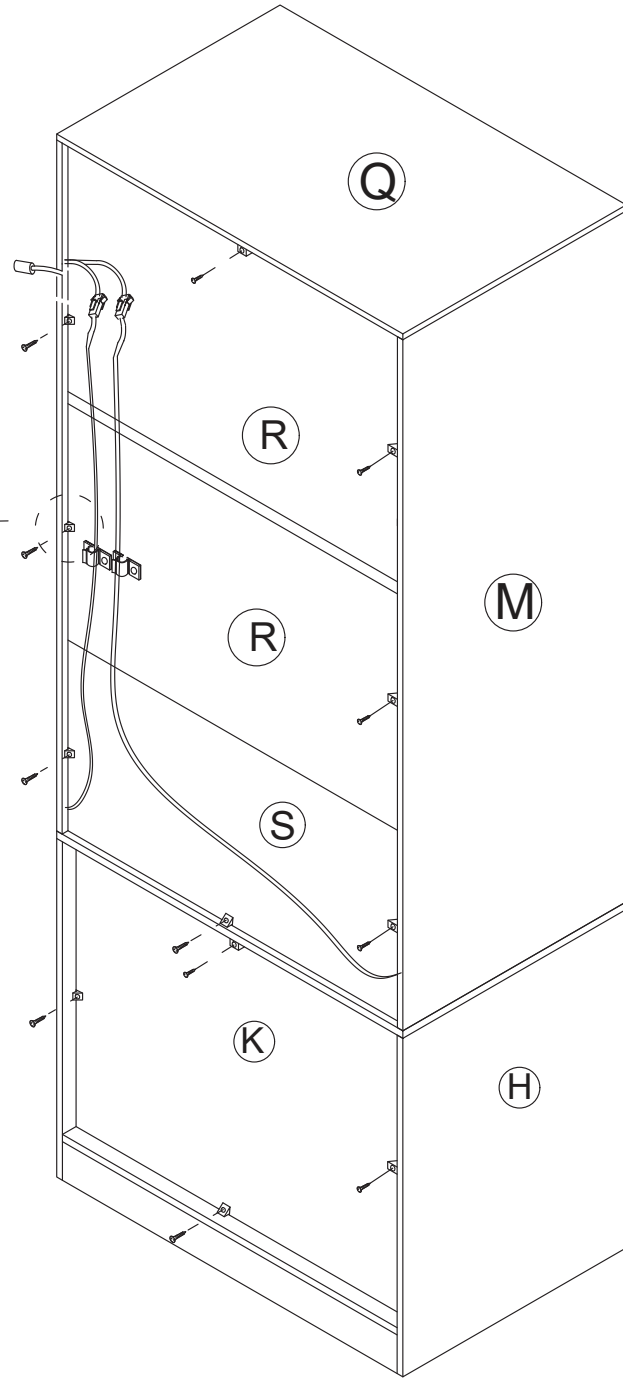
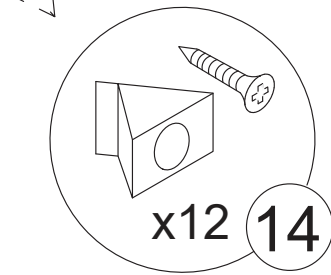
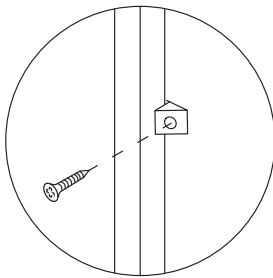
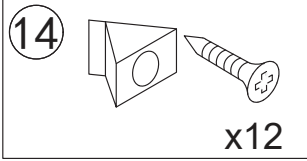
Step 46



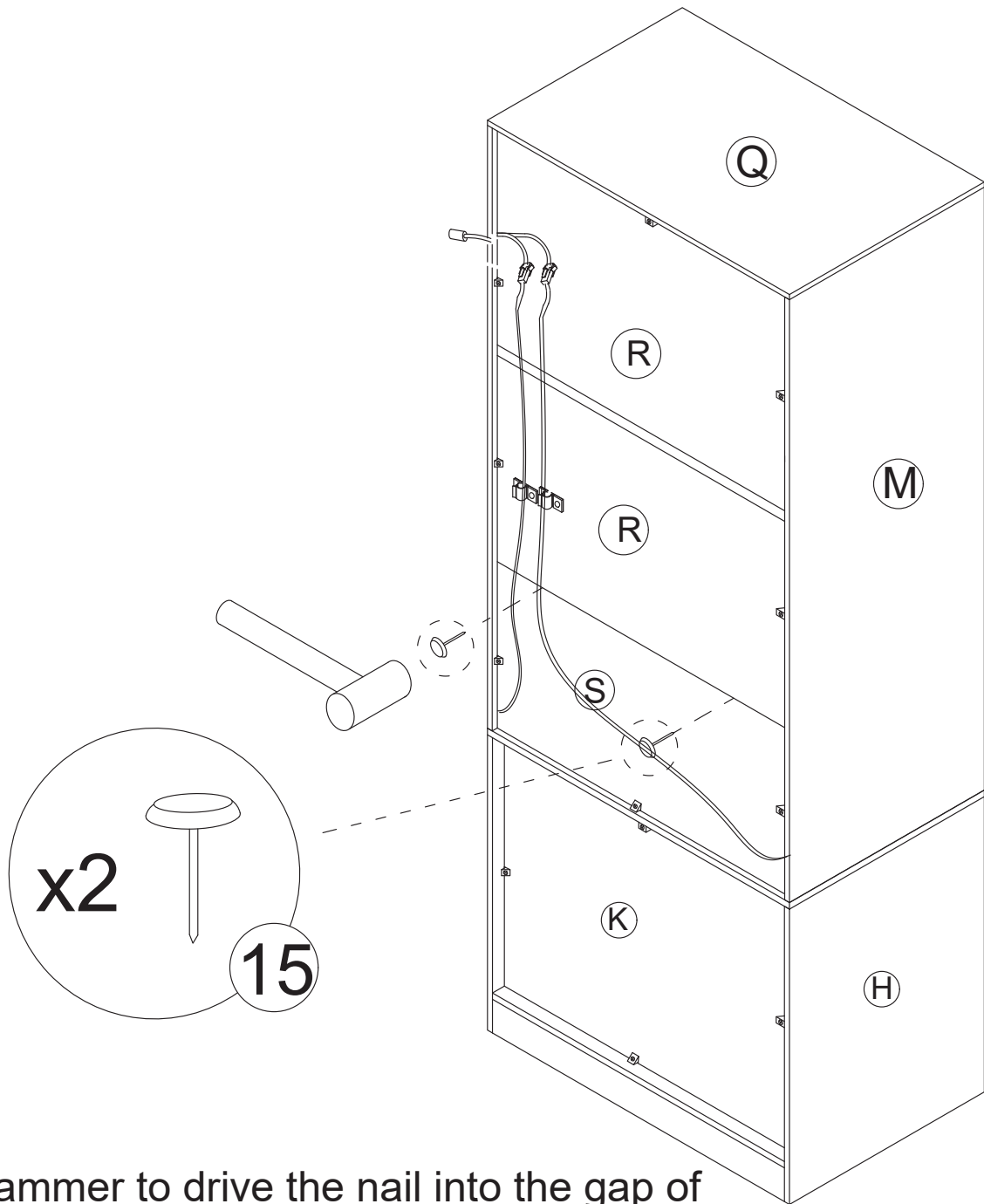
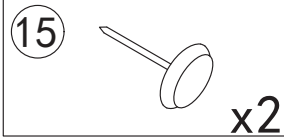
Step 47



Step 48

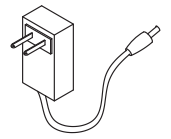


Step 49

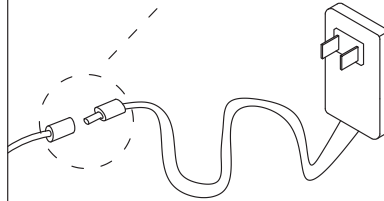
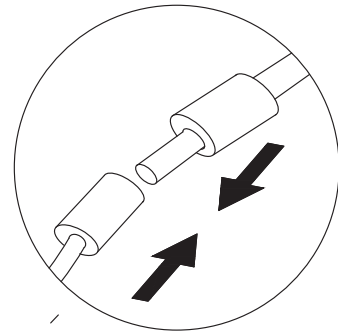
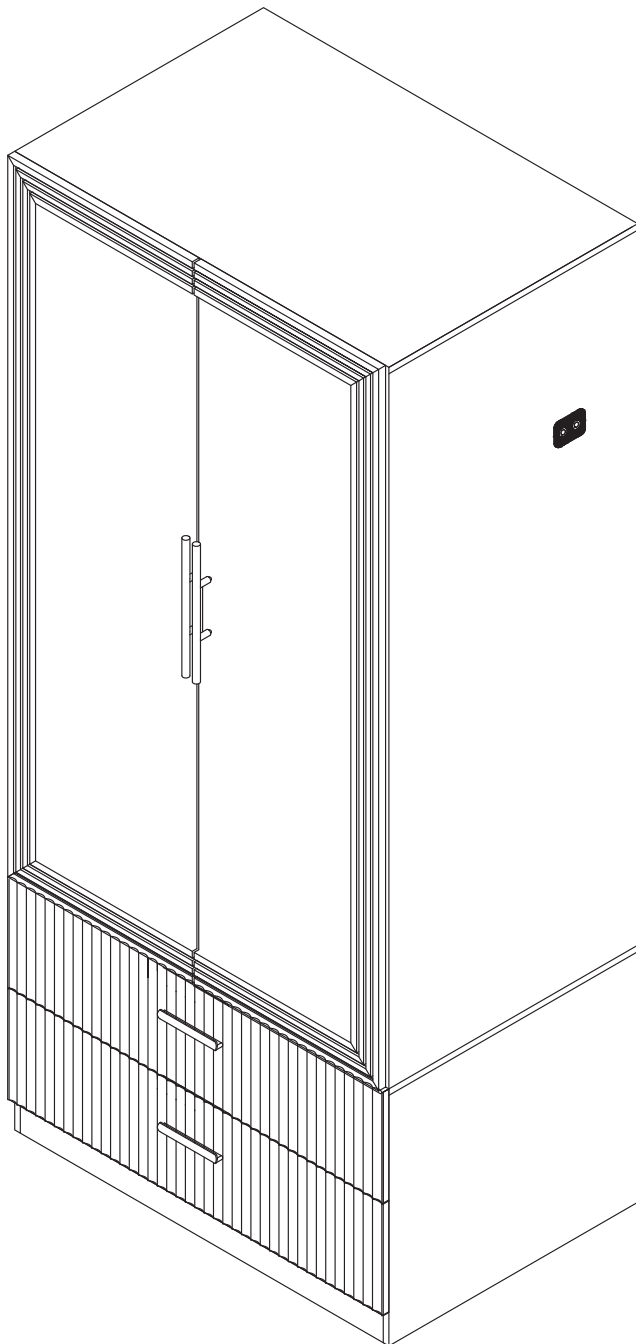


Use a hammer to drive the nail into the gap of the wooden board and fix the back board

Step 50

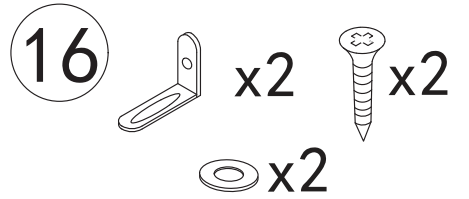


x1

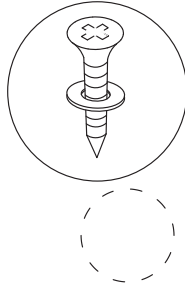


Step 51

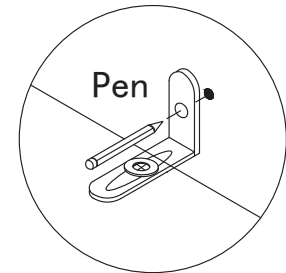
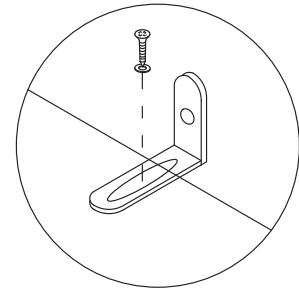
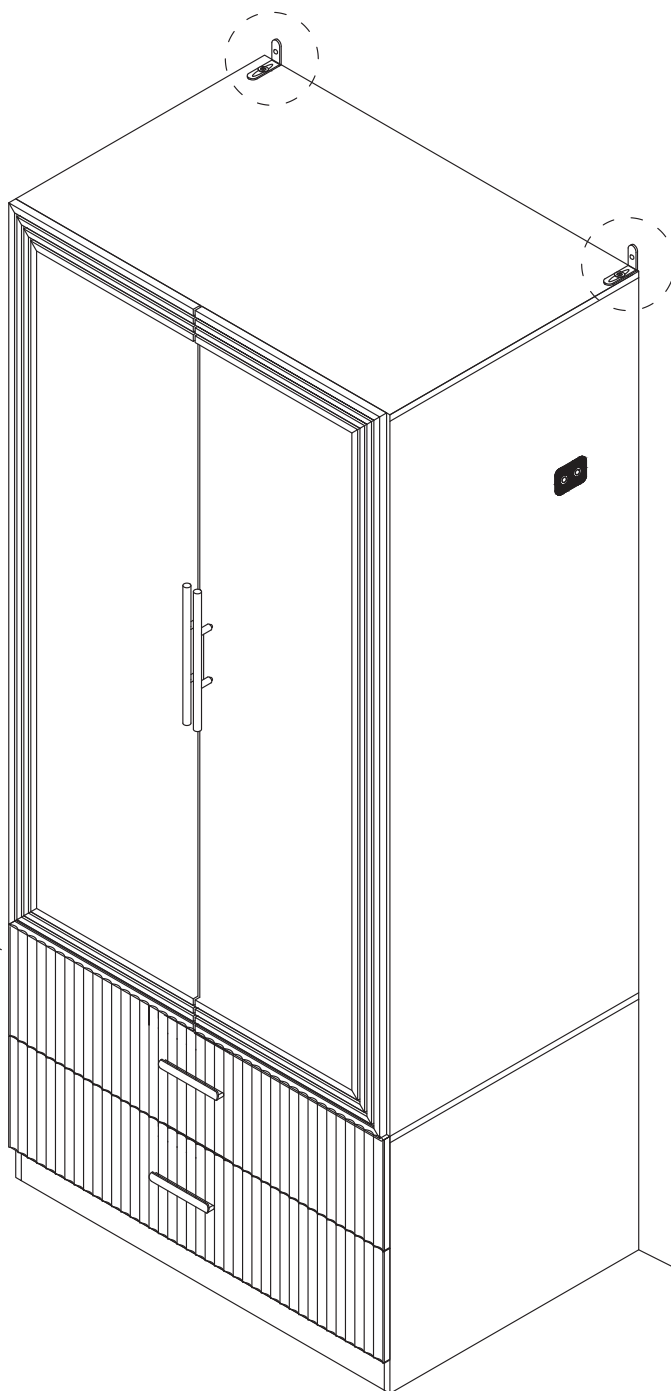
Install as required



3.5x14mm

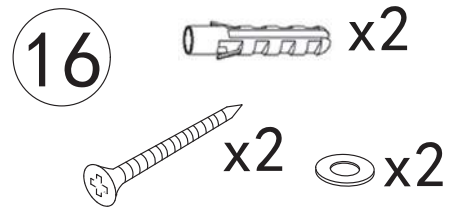
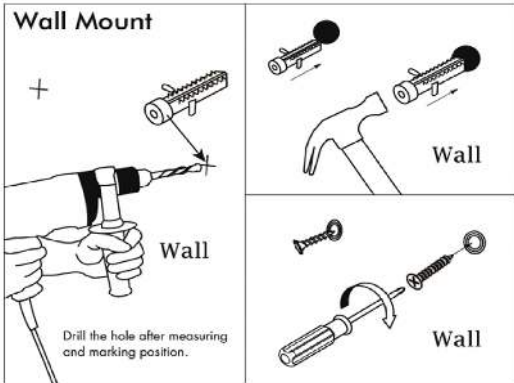


Install the anti fall hardware on the cabinet as shown in the picture first

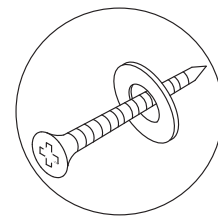
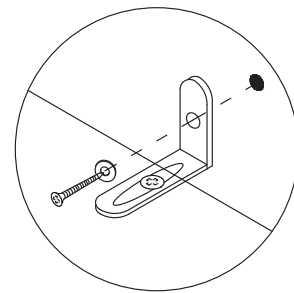
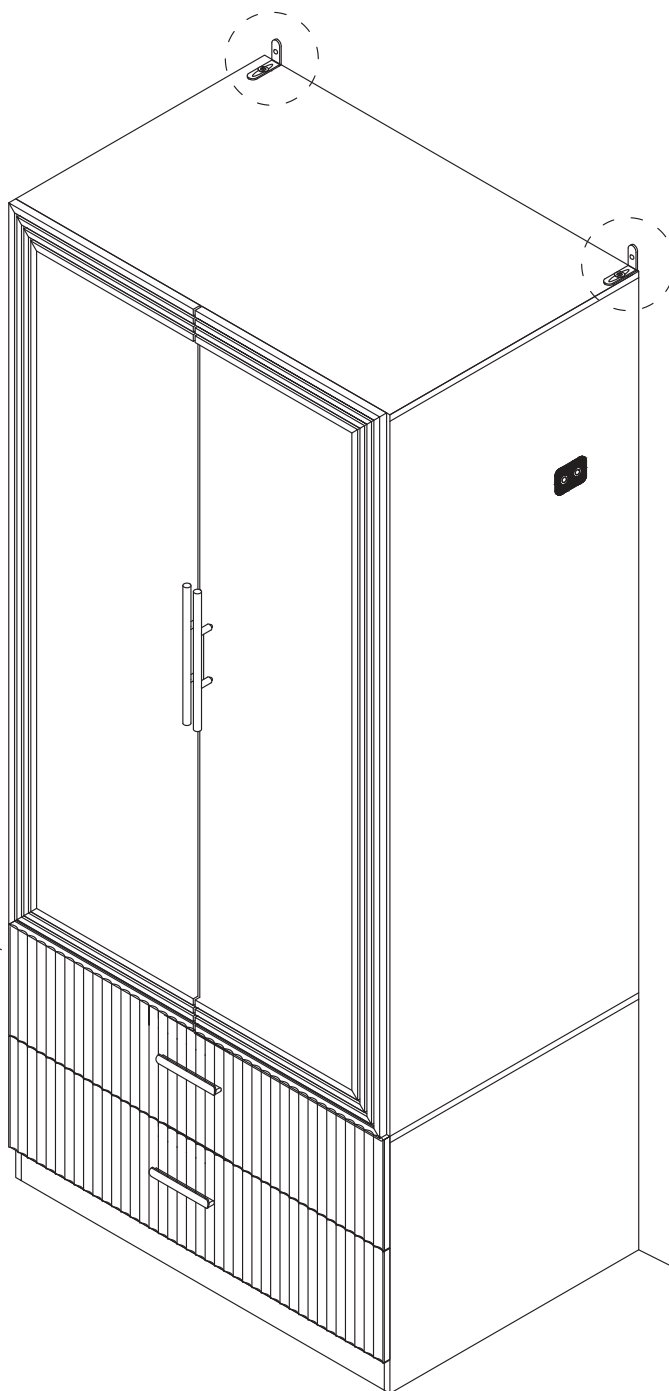


Then mark the wall with a pen through the holes in the anti-fall hardware

Step 52



Drill the hole with an electric drill and punch in the colloidal particles



4x45mm

Fix the dressing table to the wall

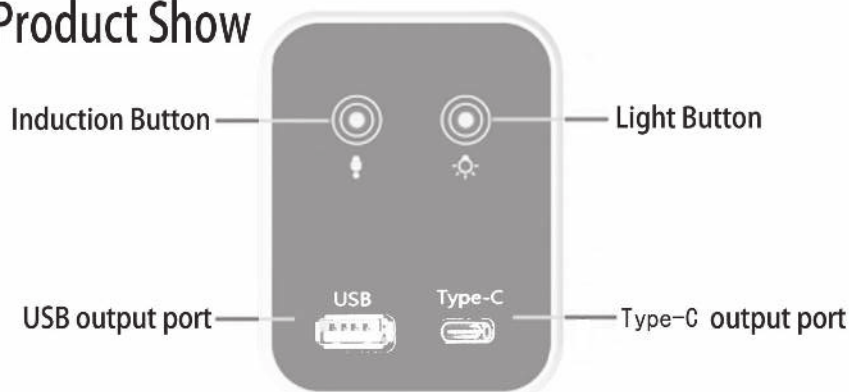
User's Guide

Thank you for purchasing this product. To use this product, please plug it into a 12V DC power supply. Please use if the product works normally after connecting to power.

Introduction

The box is an intelligent controller. It has 1 USB port and 1 type-C port and can distribute the current output up to 5V DC-2A. With 2 touch buttons, it can turn ON/OFF the light, change light colors, and adjust the light luminance.

Product Show



ATTENTION PLEASE

1. If there is no touch response suddenly, Re-plug the power to reset the touch static electricity.
2. If bubbles appear on the panel, remove the protective film.

Operation



This touch button is used to turn on/off, change colors, and adjust brightness.

A. Short touch -> lighting on -> short touch -> change light color -> short touch -> change light color -> short touch -> lighting off. **B.** Long touch -> adjust the luminance



This touch button is used to turn on/off the induction function.

A. Short touch to turn on the induction function. It can auto-turn on the light when people are close to the controller in 1 meters. It can auto power off the light when the body is far away from the controller after 30 seconds.

B. Long touch to turn off the induction function.

C. Note: When you touch the light button to change the light modes, the induction function will automatically turn off. It is best to turn on this function after selecting the light color and adjusting the brightness you want.