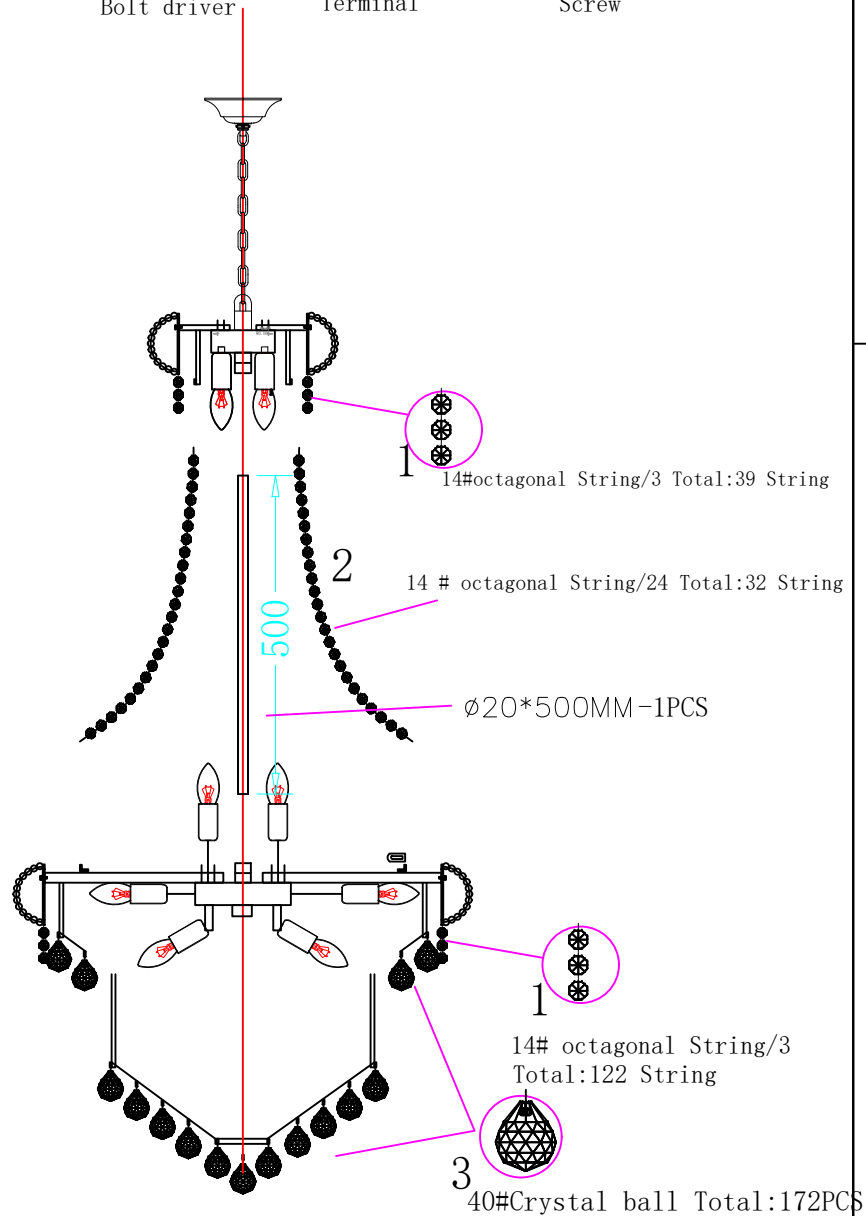
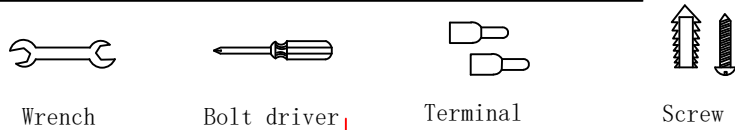


# Installation instruction

Model :HBL7024 E12\*14PCS TYPE B MAX40W

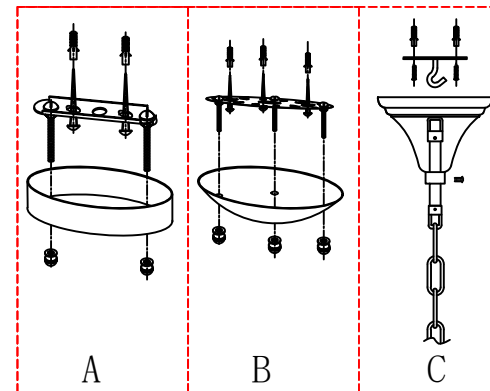


# Bead instruction

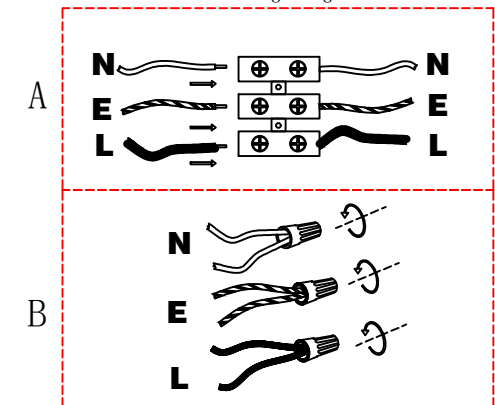
Model

1	14 # octagonal String/3	161 String
2	14 # octagonal String/24	32 String
3	40#Crystal ball	172PCS
Crystal are included with Spare parts		

Ceiling installation diagram



Wiring diagram



## Installation steps

1. Lock the padlock on the Ceiling and hang the Ordinance and chain sleeve on the padlock. On board. Safety wire rope lock on cement ceiling hook.
2. Check that the power cord is intact and intact. Connect according to the label. L positive polar line N negative pole;
3. Lock the lamp arm on the oblique basin and install the lamp shade and light source.
4. Hang the lamp body on the suspension chain and install the light source and bottom in the back basin. The dolomite cover. Lock the wire with a tie.
5. Adjust the lamp body and test the electricity.