

Owner Manual





WARRANTY

We strive to offer high quality product and we also try our best to satisfy each customer that order from us, no matter on products or services as needed. Each customer receives a record of their order, such as the order number or item receipt. For any items that are out of warranty period, you may still be able to purchase the replacement parts from our company if they are available.

MAINTENANCE AND WARNING

Please read the manual thoroughly
before you start installing.

Please keep the product away from
sharp object.

Packaging and small parts may have
chocking hazard, please keep them away
from children and pets.

Please clean the product according to each
clean code, check the product description
for more information.

Please keep the product away from
fire.

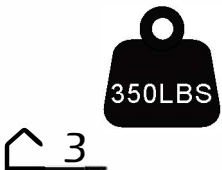
If you have any other questions, please
contact us, we will be glad to help you out.

If the product is placed under direct
sunlight, the pattern or color might fade
away overtime.

Check the product periodically to make
sure everything is secured and tightened.

Always use proper tools for installation.

Do not jump on the product.



PRODUCT DESCRIPTION

Performance PU Upholstery-Crafted with

high-grade PU, the surface delivers a refined matte finish with exceptional resistance to daily wear. Dust and smudges can be removed with a simple wipe, making it a high-efficiency solution for busy households.

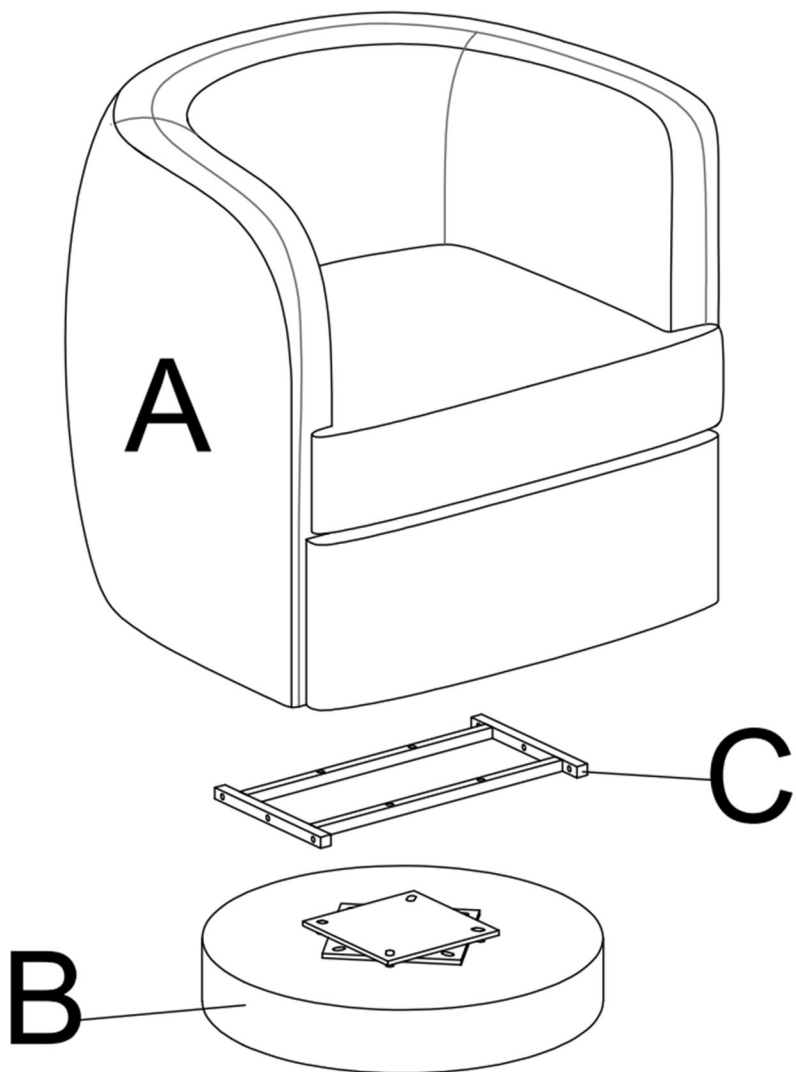
Supportive Barrel Structure-The wraparound barrel frame provides full back and waist support. Its subtle recline guides the body into a neutral seating posture that enhances long-term comfort.

Solid-Wood Swivel Base-The round solid-wood platform delivers exceptional stability and enables smooth 360° rotation. Refined stitching reinforces durability and elevates the chair's premium look.

Compact Modern Form-The sleek circular silhouette integrates effortlessly into living rooms, studies, and reading corners while maintaining a clean, contemporary presence.

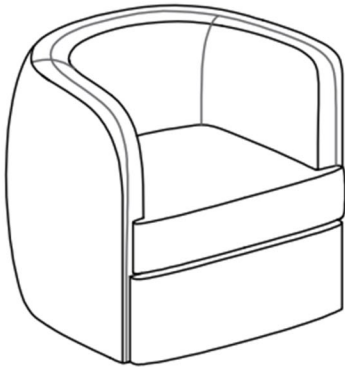
Multi-Layered Comfort System-High-density foam sponge paired with a spring-packet seat ensures resilient cushioning, stable firmness, and dependable shape retention over extended use.

EXPLODED VIEW



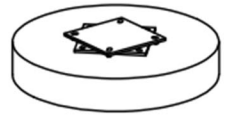
PARTS

A*1



Seat frame

B*1



Base

C*1



Connecting
frame

HARDWARE

TOOL LIST

NOTE: Designated with (★) We provide additional spare parts in the hardware package

①*6



★ M6*50mm
Bolts

②*4



★ M6*20mm
Bolts

③*1



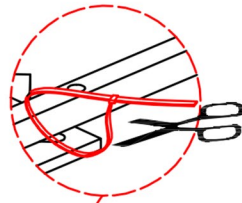
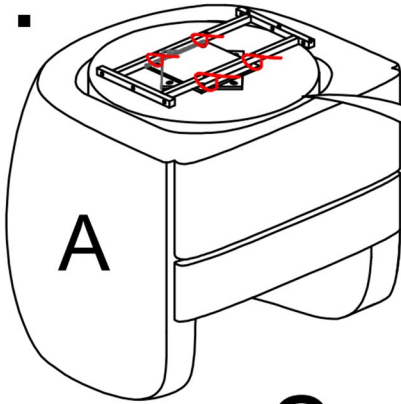
Allen key

Please make sure all hardware & packing material fitting the list. Especially some small accessories may be missing during transportation. Please contact us if you have any question.

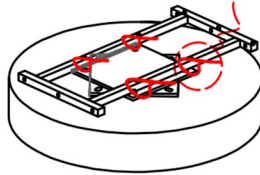
step 1 ---Take out Chair base

Remove the turntable bound to the iron frame from the bottom of the chair and cut the plastic straps used for binding.

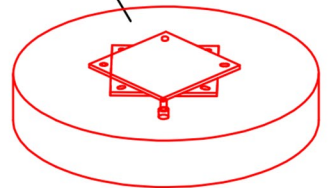
1.



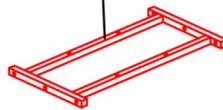
2.



B

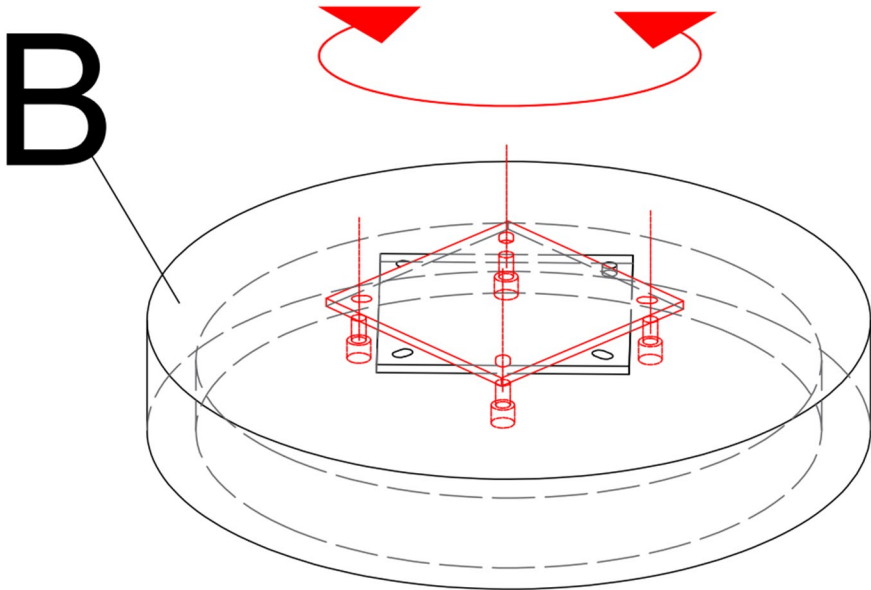


C



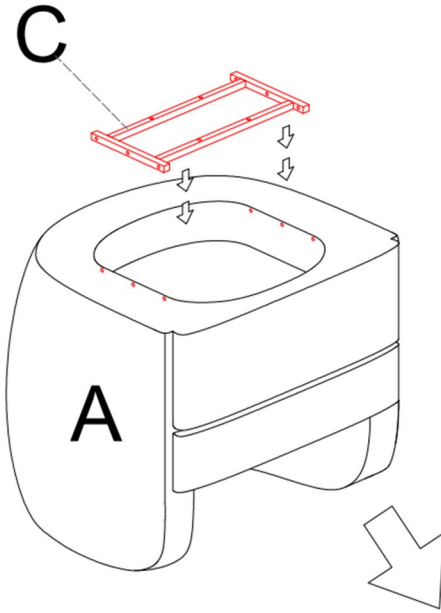
step 2 ---Adjust the Chair base

Align the mounting holes of the square turntable with the four screw holes on the swivel base.

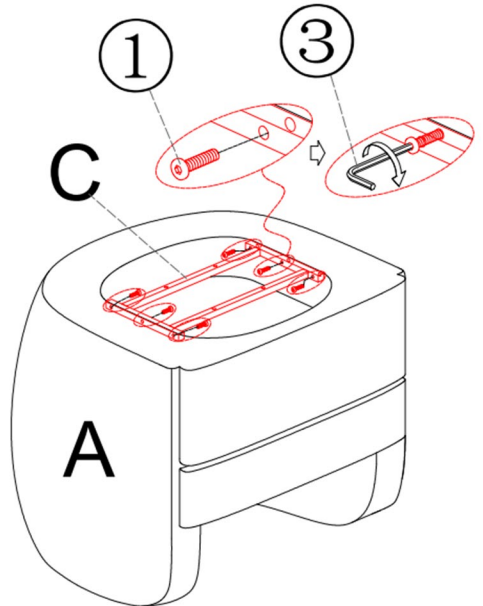


step 3 ---Install Connecting frame

Install the connecting frame (C) to the bottom of the chair as shown, use the allen wrench (3) provided to tighten the bolts (1). Make sure all the bolt holes are correctly aligned before tightening all the bolts.

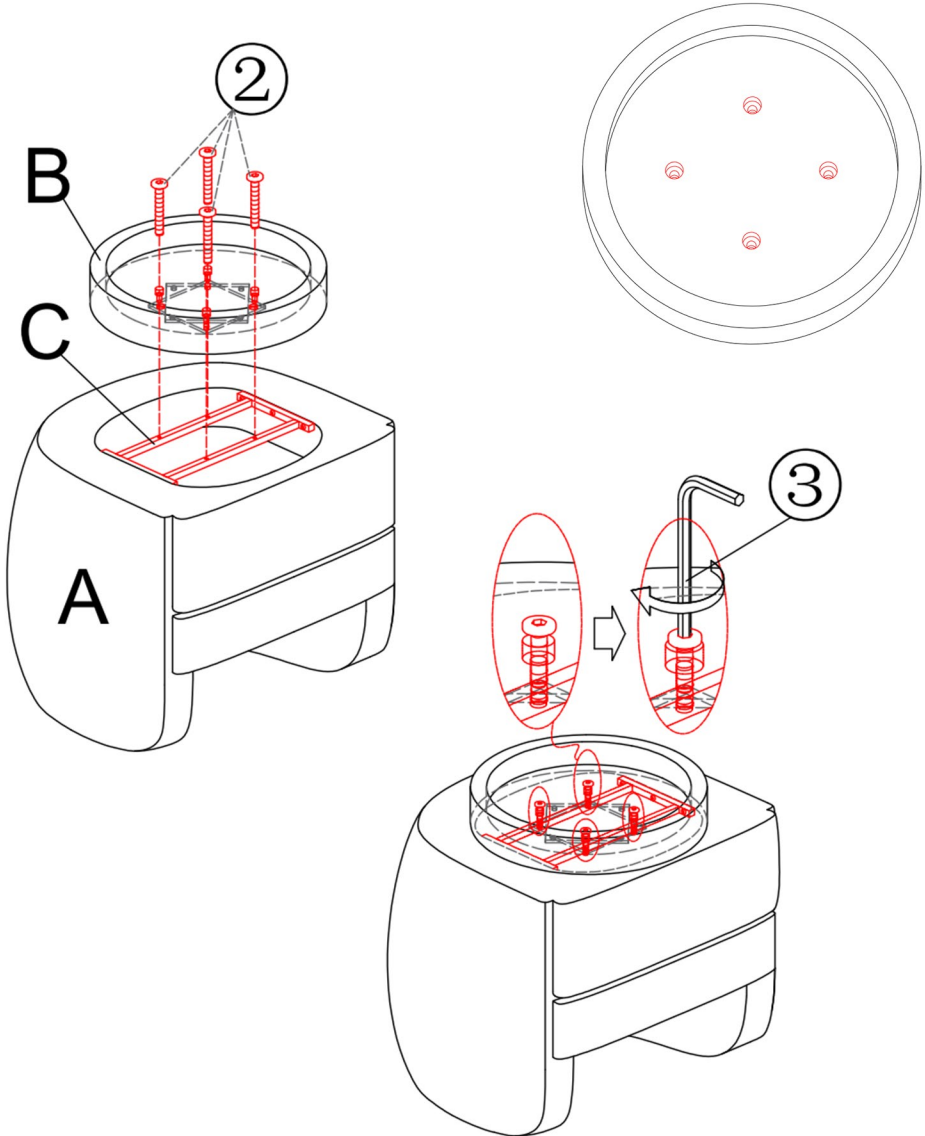


Notice:
We suggest tightening the bolts for 30-50% first, make sure the process is correct and bolt holes are aligned, then fully tightening them all.



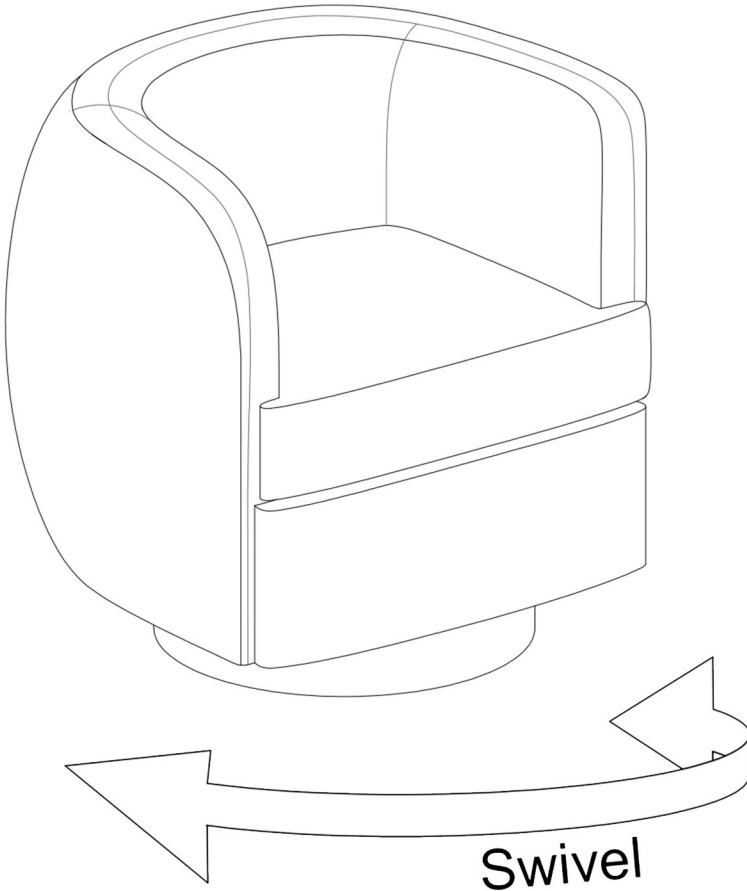
step 4 ---Install the Chair base

Use the allen wrench (3) provided to tighten the bolts(2).
Make sure all the bolt holes are correctly aligned before tightening all the bolts.



step 5 ---Chair Function Display

This chair can rotate.



step 6 ---Assemble complete

Place the chair properly and tidy it up to make it look nice.
Assembly is complete. Thank you for choosing our product!
Please enjoy!

