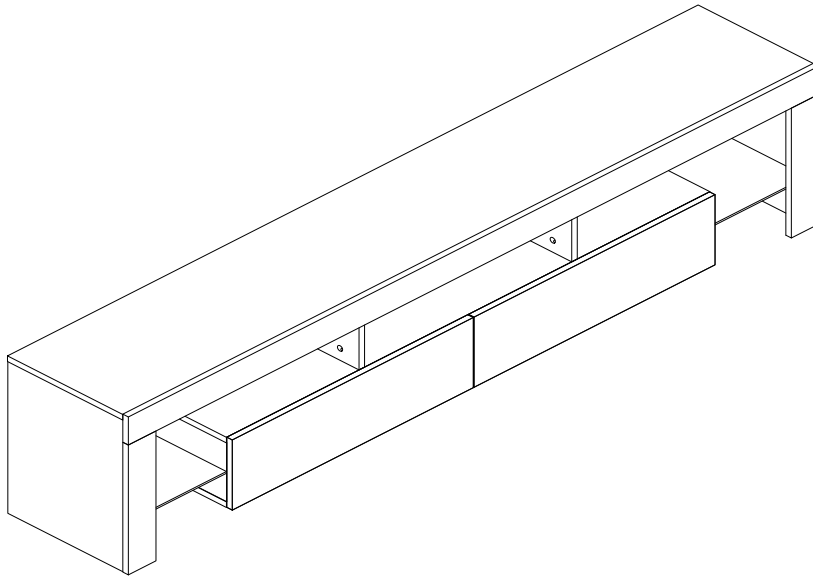
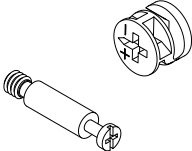




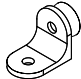
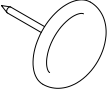
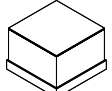
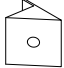
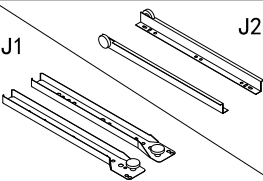
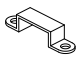
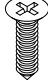
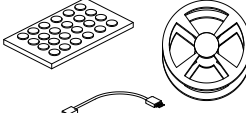


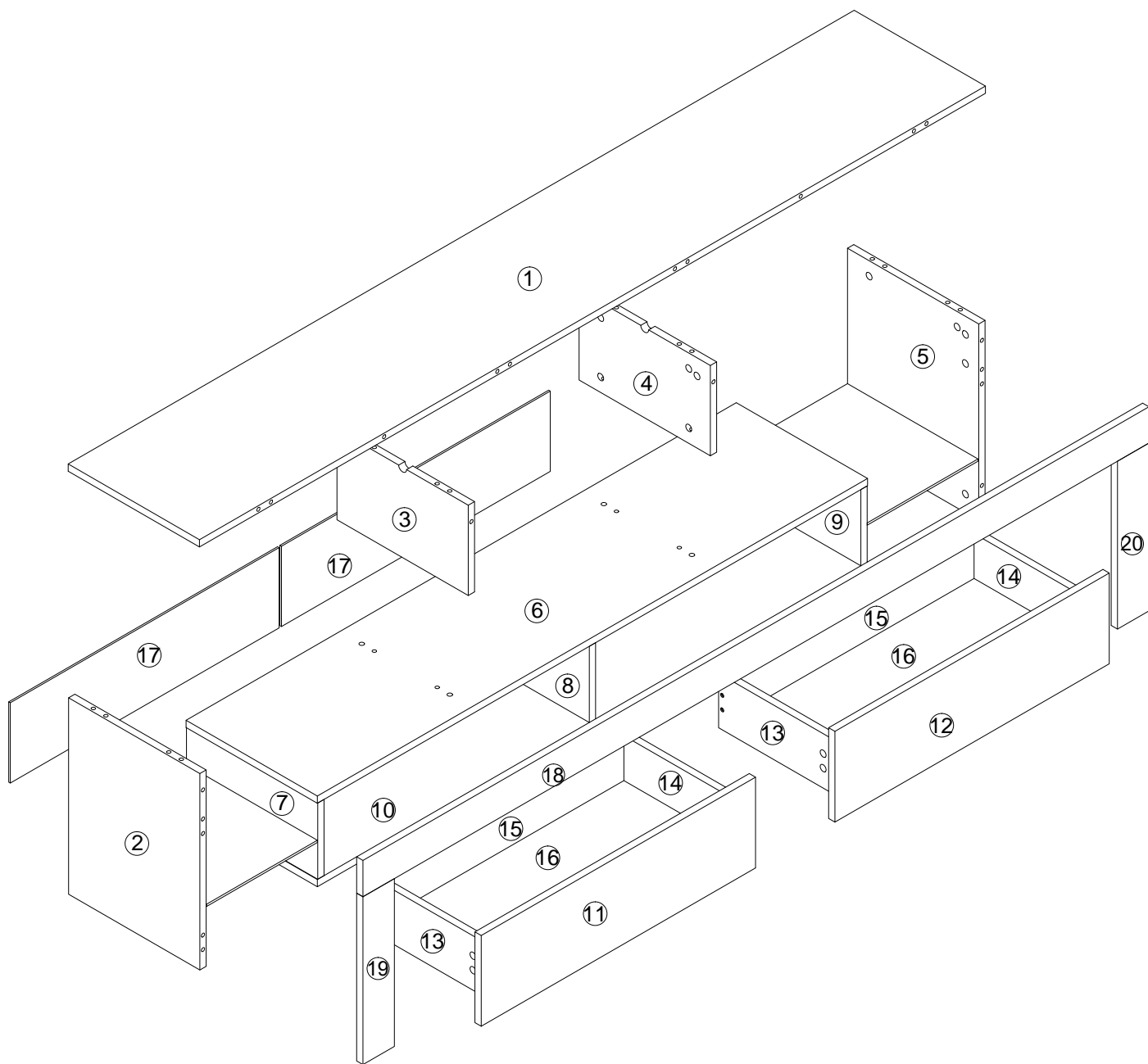
ASSEMBLY INSTRUCTION

Description: LED TV STAND

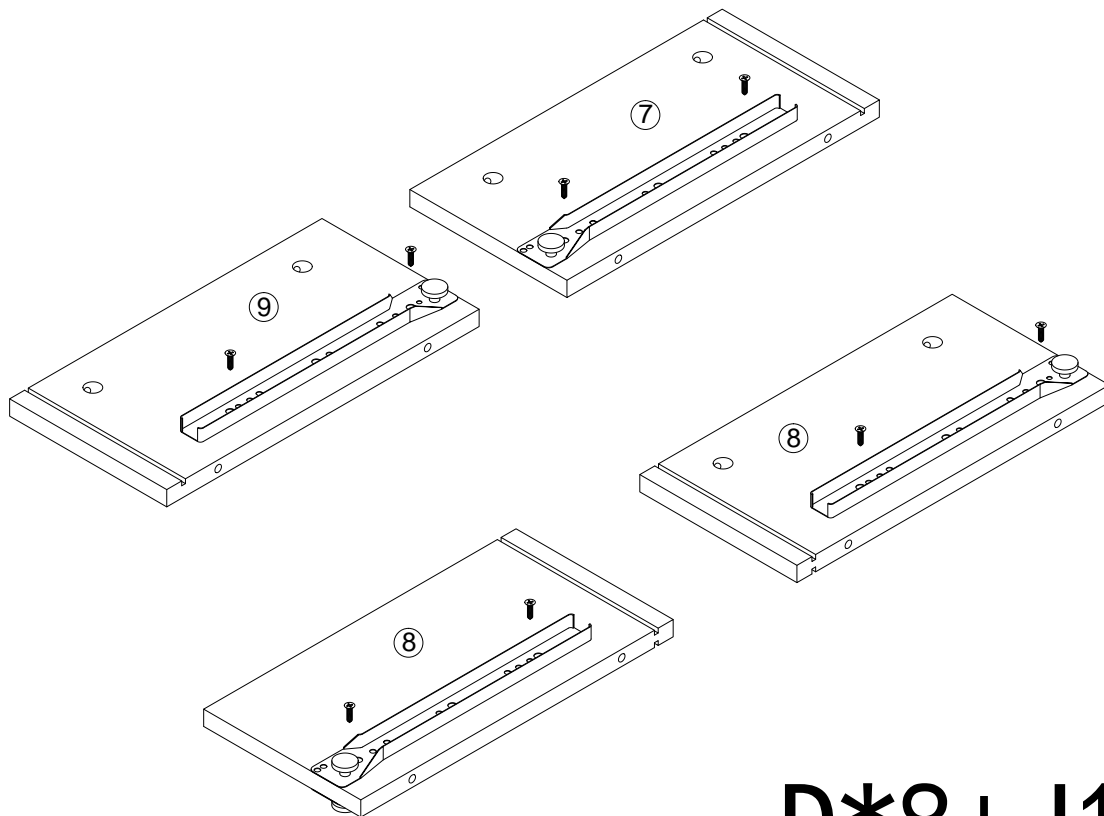
Thank you for purchasing this quality product. Be sure to check all packing material carefully and small parts that may have come loose inside of the carton during shipment



	 Ø8*40	 Ø5*40	 Ø3.5*14	 Ø4*35
A: THREE IN ONE SCREW SET*38PCS	B: DOWEL*30PCS	C: WOODEN SCREW*6PCS	D: SCREWS*52PCS	E: SCREWS*8PCS
				
F: SUCTION HOLDER*8PCS	G: SPIKE FEET*6PCS	H: SQUARE FOOT*5PCS	I: BACK CLIP*8PCS	J: ROLLER SLIDE*2PCS
	 < HFG			
K: LED STRIP CLIP*3PCS	L: SCREWS*6PCS	M: LED STRIP*1PCS		

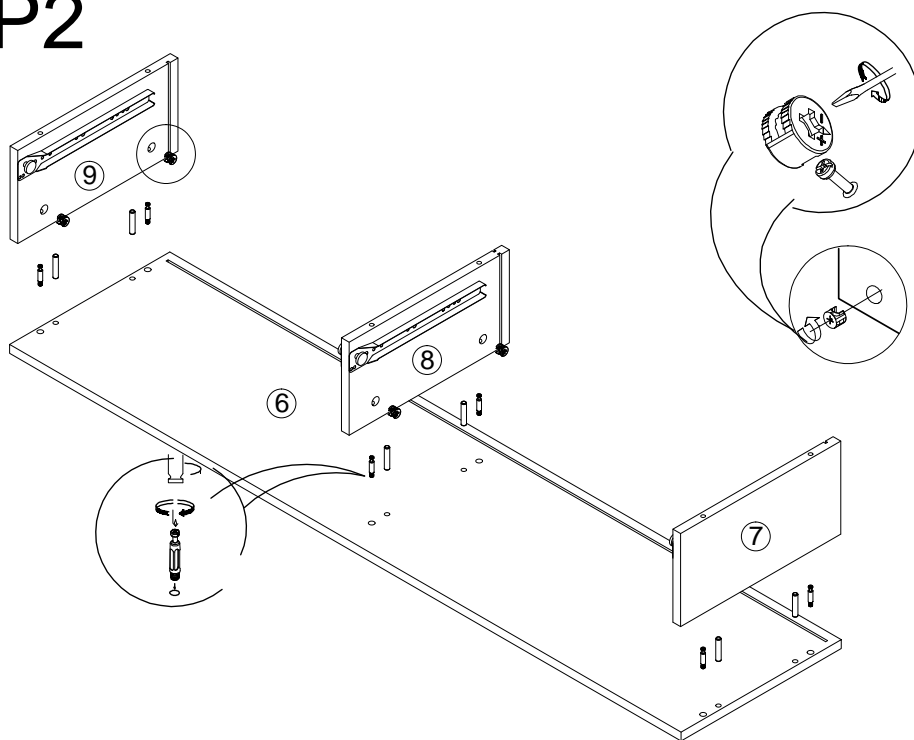


STEP1



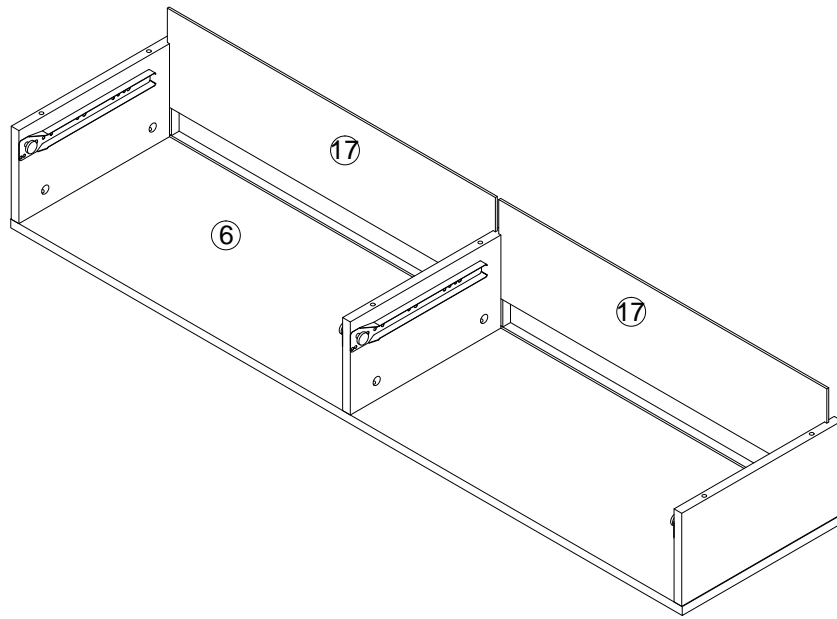
D*8+J1*2

STEP2

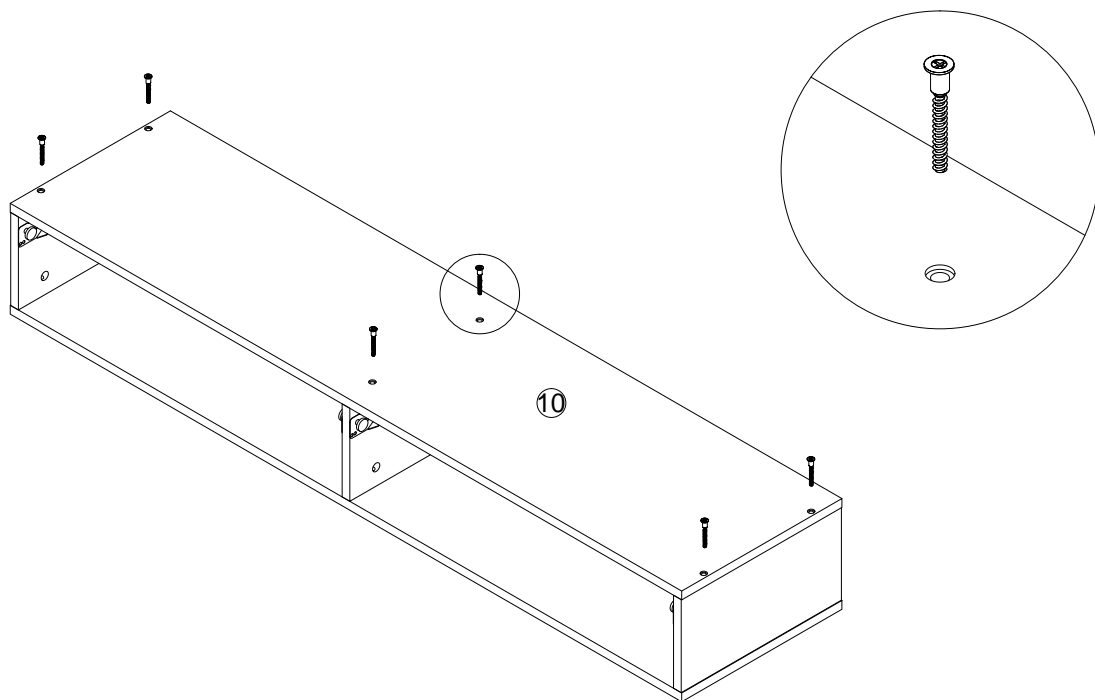


A*6+B*6

STEP 3

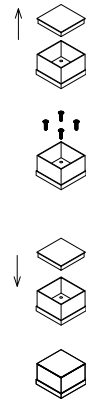
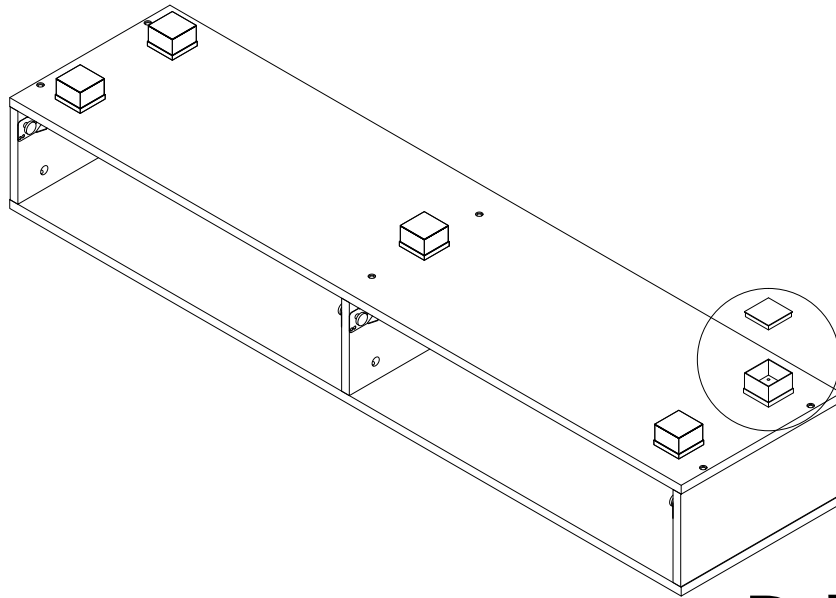


STEP 4



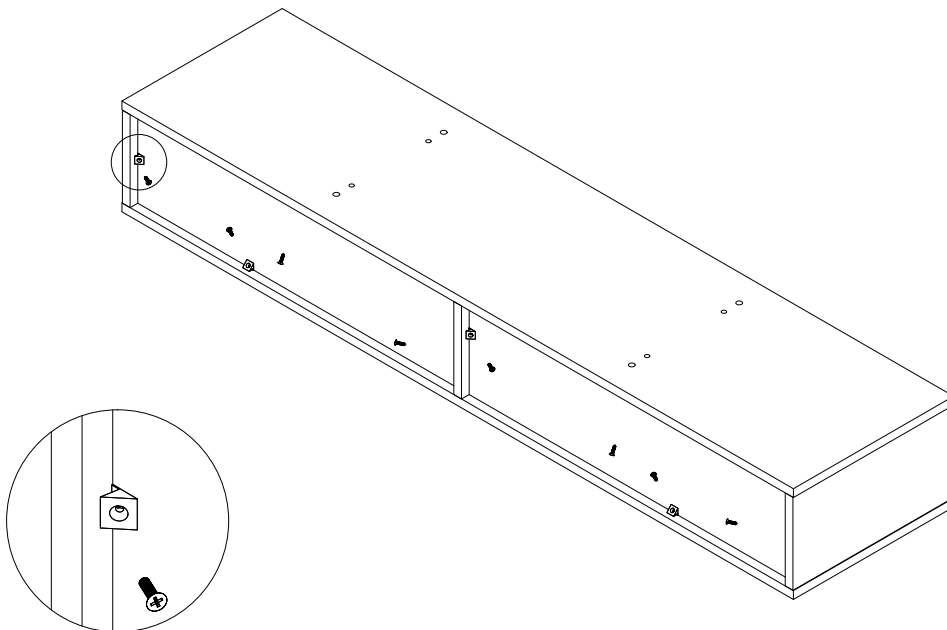
C*6

STEP5



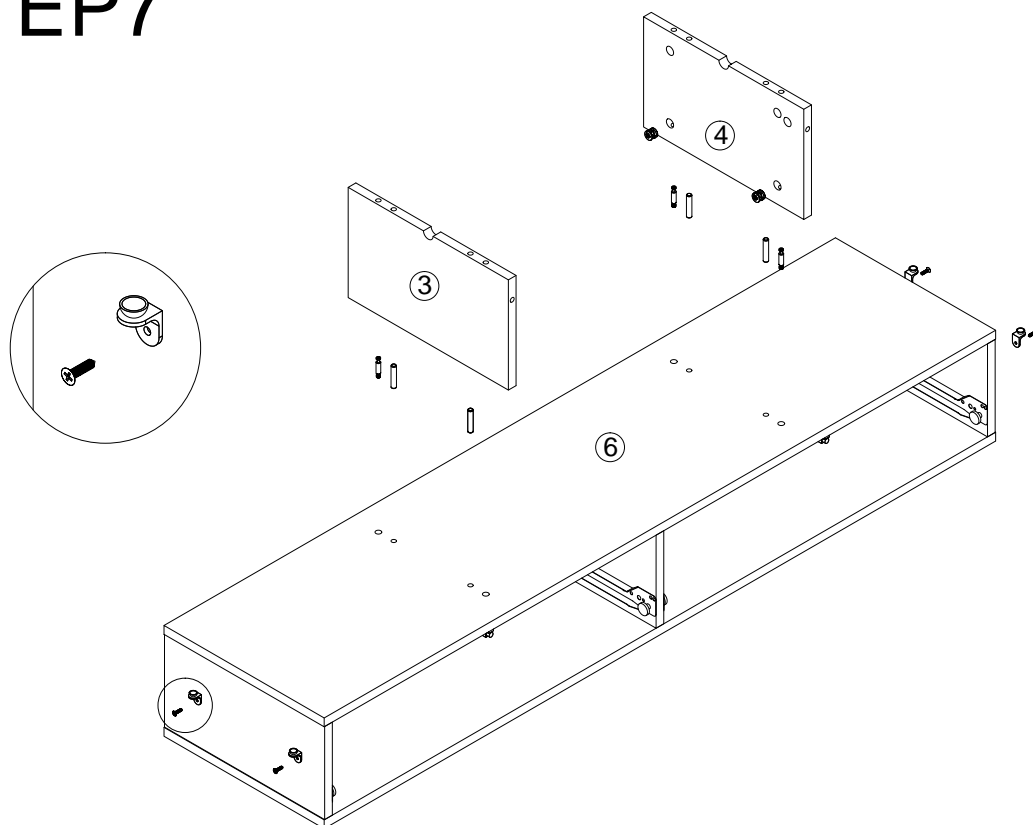
$D*20+H*5$

STEP6



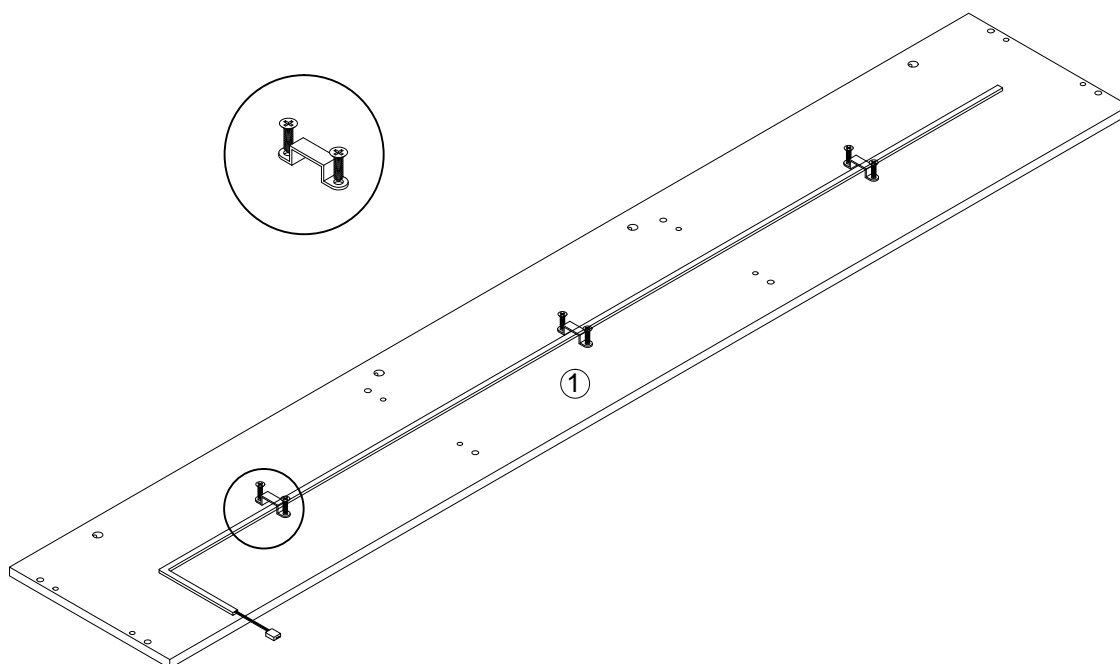
$D*8+I*8$

STEP7



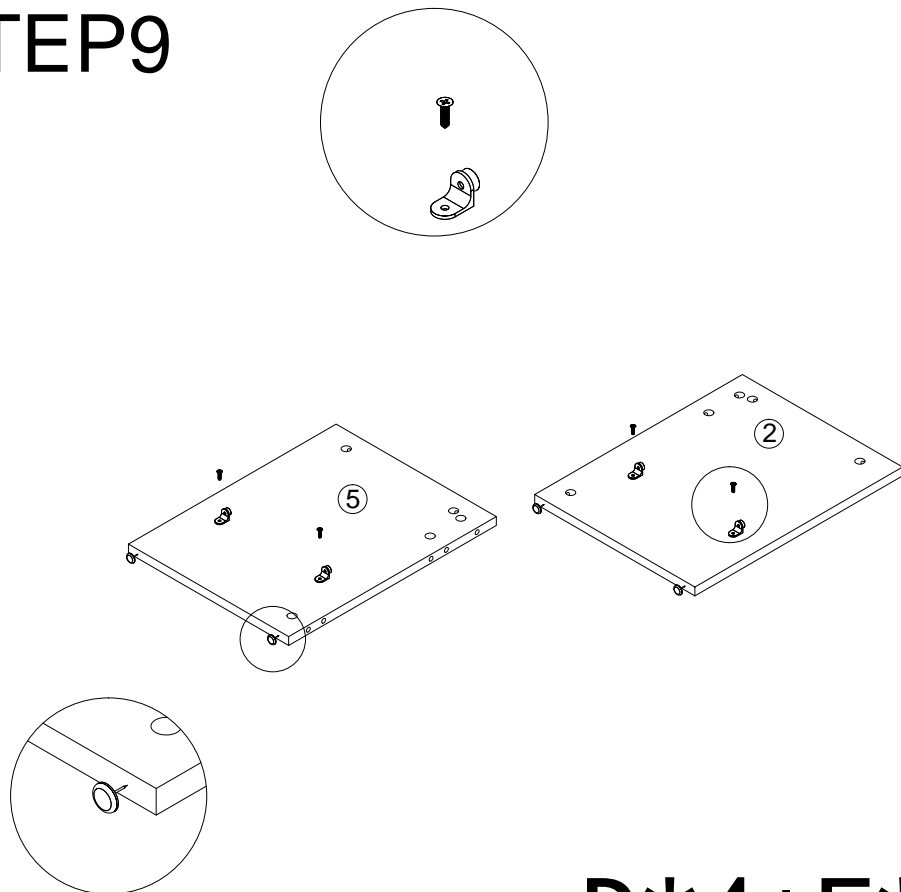
$$A*4+B*4+D*4+F*4$$

STEP8



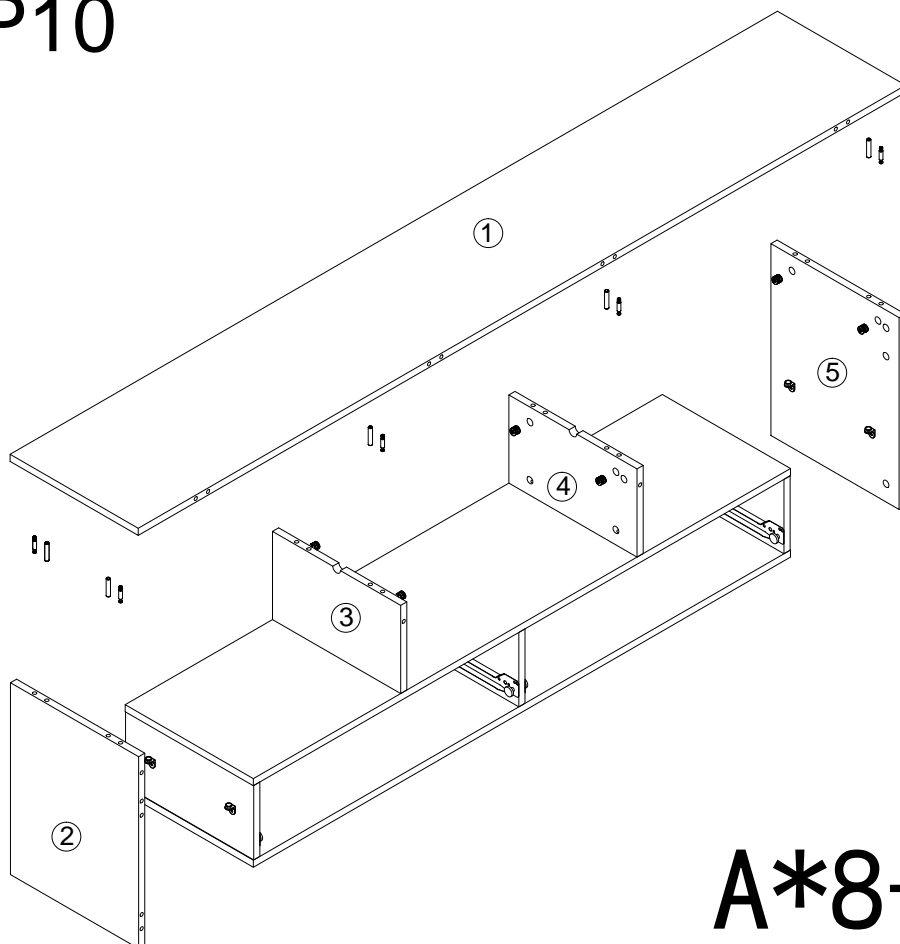
$$K*3+L*6+M*1$$

STEP9



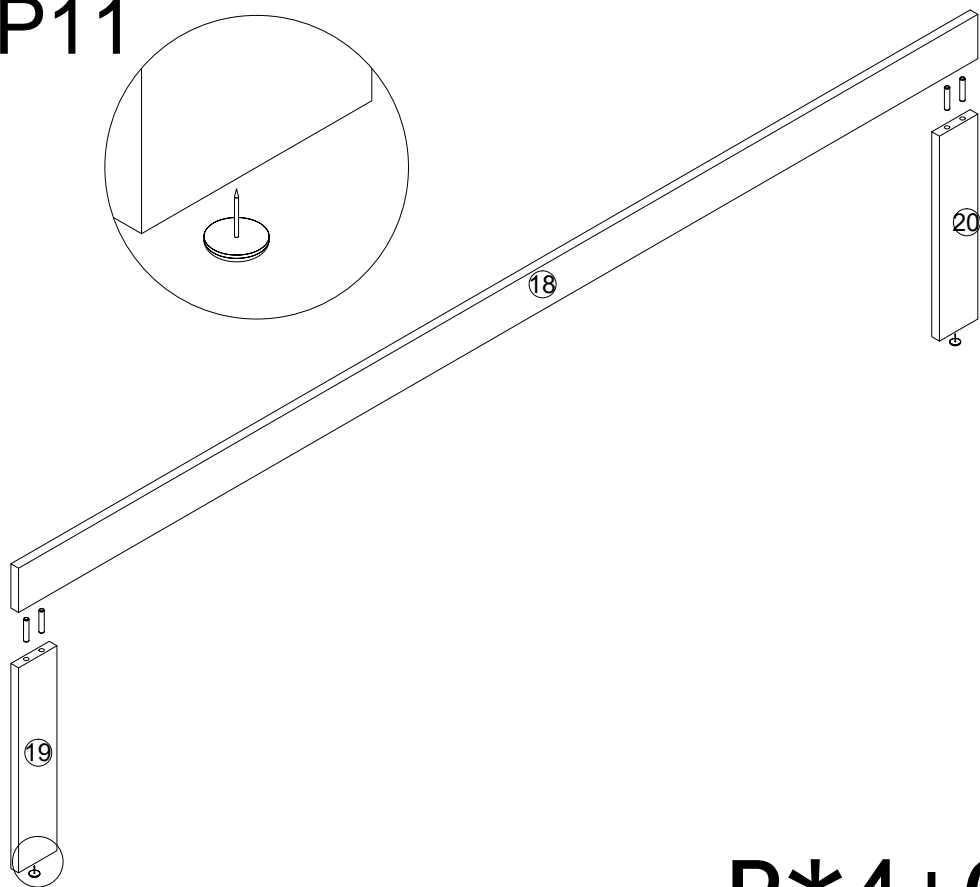
$D*4+F*4+G*4$

STEP10



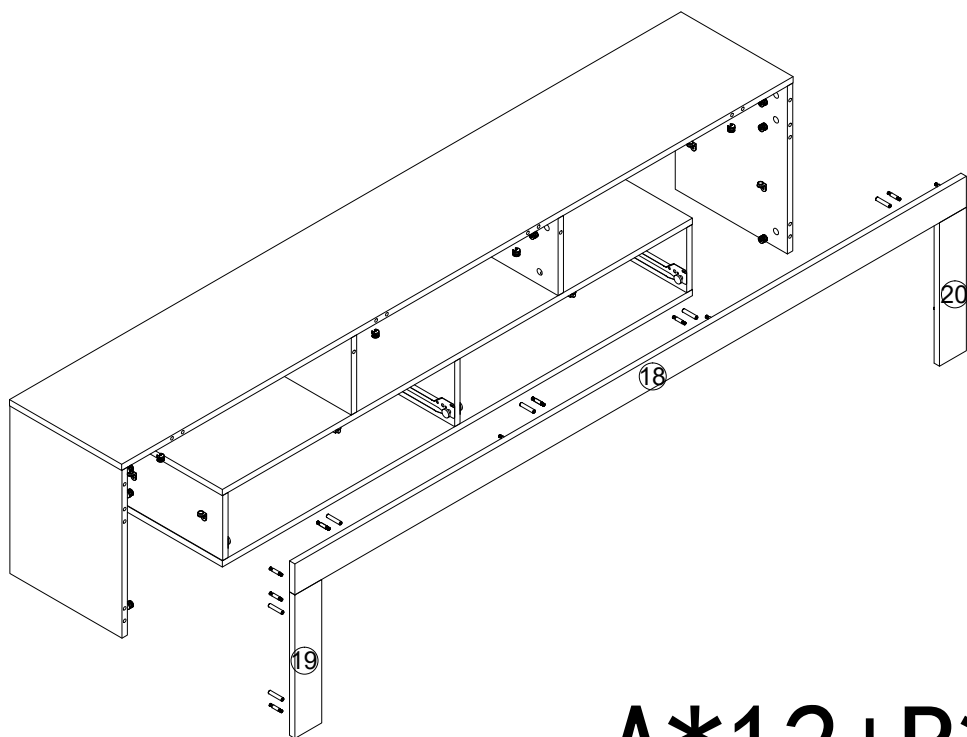
$A*8+B*8$

STEP11



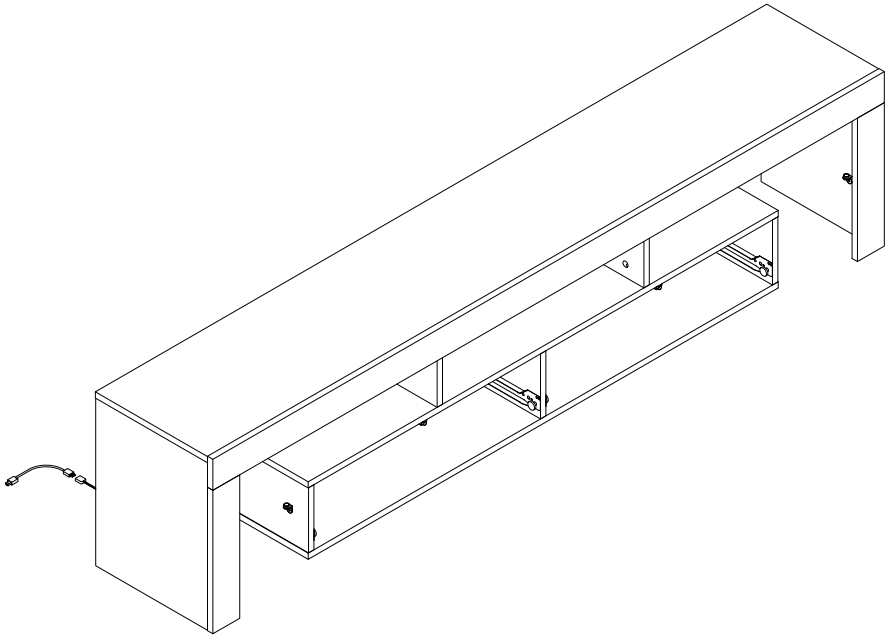
$B*4+G*2$

STEP12

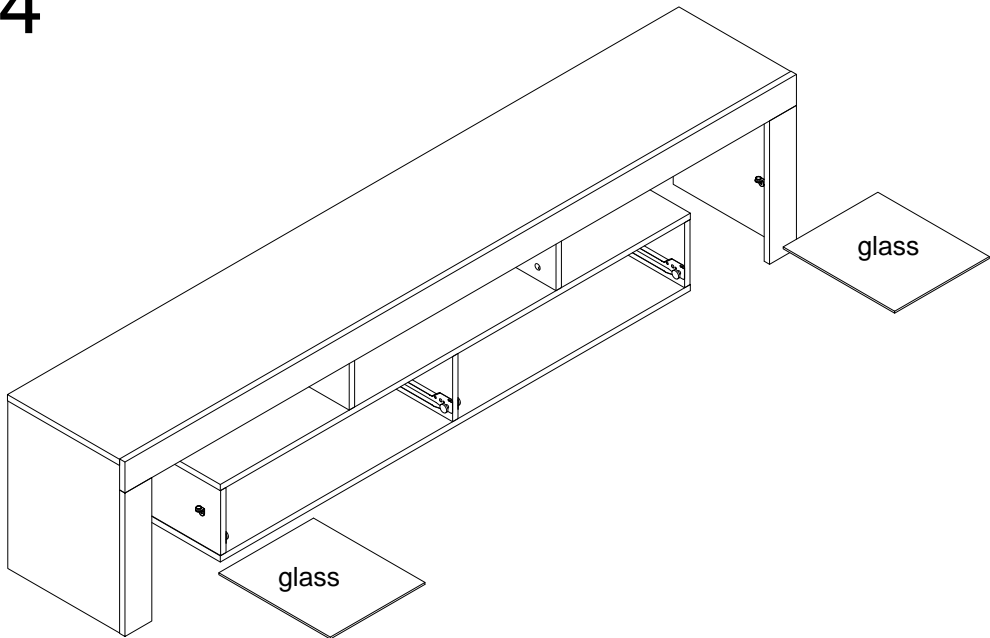


$A*12+B*8$

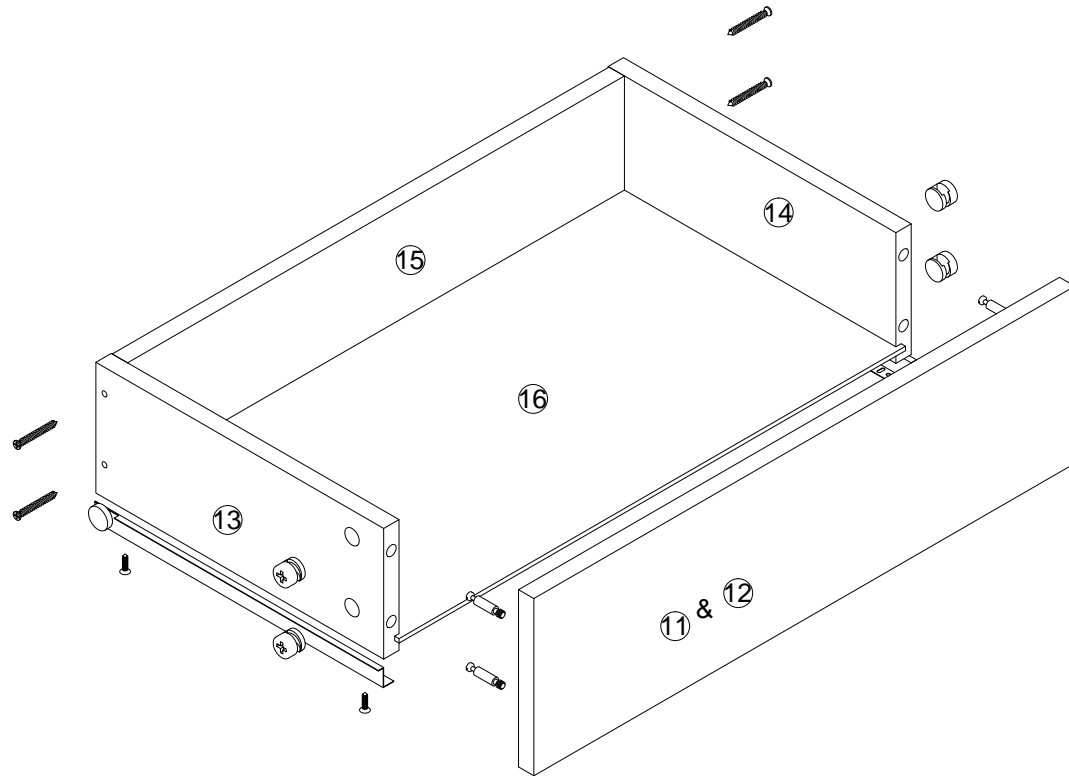
STEP13



STEP14

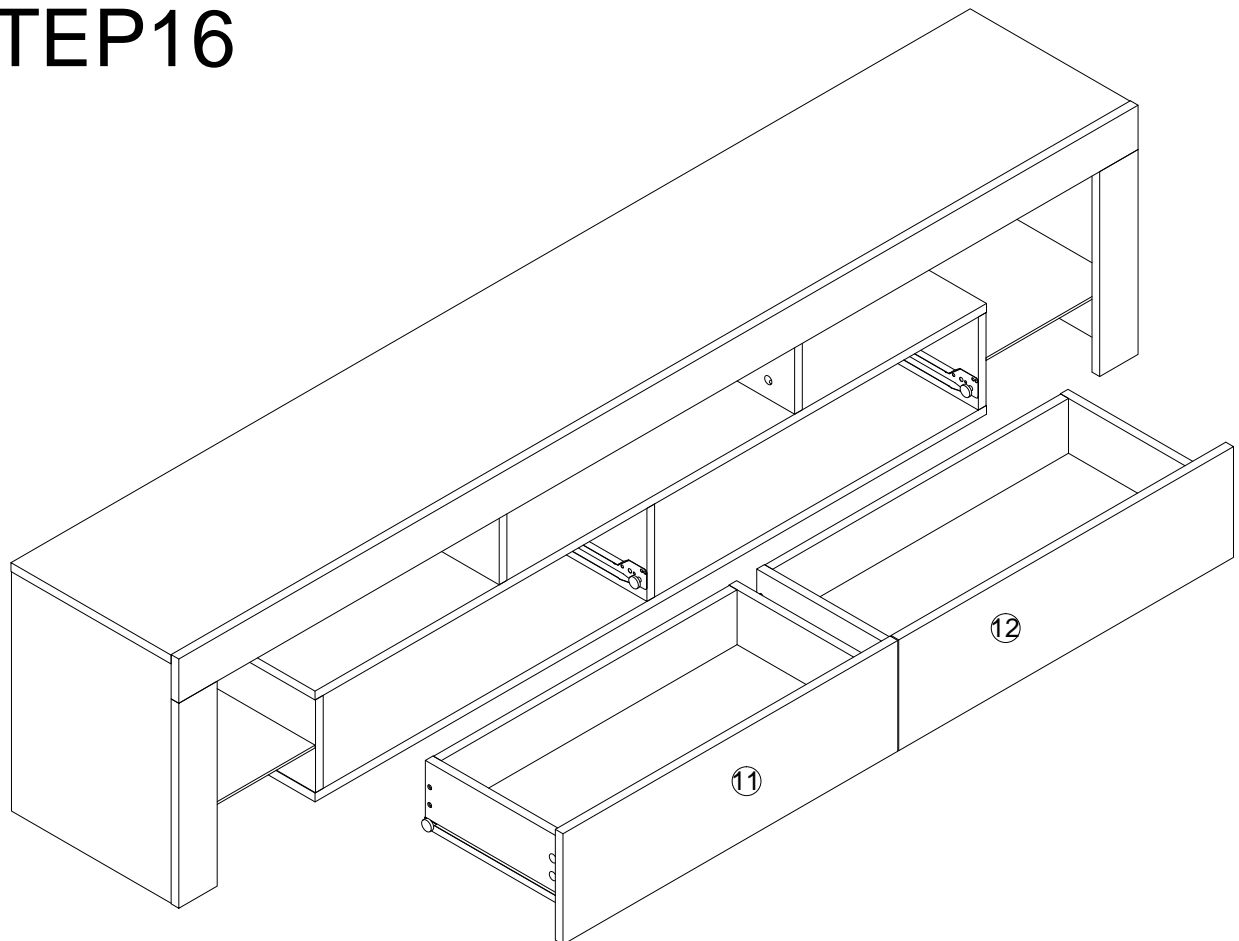


STEP15



$A*8+D*8+E*8+J2*2$

STEP16



LED light

If you can't let the lights work successfully, please check the following:

1. Please check the direction of the connect, try it in the opposite direction, according to the following picture.
2. Please check the remote control, it need you to tear down the plastic septum before use it.
3. Don't let the remote control too far from the receiver, make sure there is no obstruction between them.

