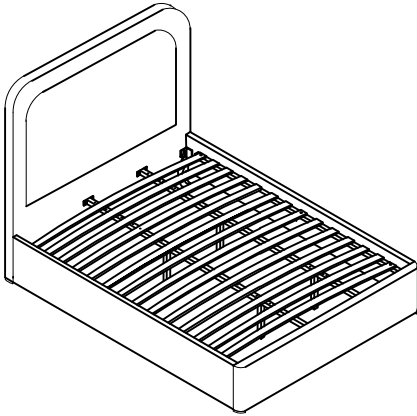
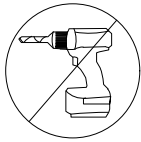


# ASSEMBLY INSTRUCTIONS

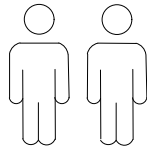
## BED - KING



### + Do Not Use Power Tools



### + Suggested Adults



#### NOTE :

- 1 Read instructions cover to cover.
- 2 Save all packaging until assembly is completed.

### 1 IMPORTANT SAFETY INFORMATION

Do not assemble the product if any of the following parts arrived damaged:

- Part #③ -Side Rails
- Part #④ -Slats joint
- Part #⑤ -Center Support Bar
- Part #⑥ -Support Legs

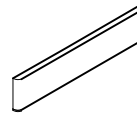
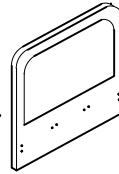
### 2 IMPORTANT ASSEMBLY INFORMATION

Assembly Step ② Ensure the side rail bracket is fully hooked onto bolt A loosely threaded with both washers on the OUTSIDE of the bracket first, then proceed to fully tightening all 4 corners.

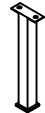
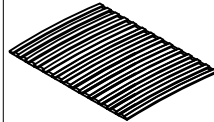
\*Slats come packed in the bottom of headboard carton.

### + Parts Included

- ① Head Board (1pc)
- ② Foot Board (1pc)
- ③ Side Rails (2pcs)



- ④ Slats joint (1set=13pcs)
- ⑤ Center Support Bar (2pcs)
- ⑥ Support Legs (4pcs)



\*Slats come packed in the bottom of headboard carton.

### + Hardware Included

- A Bolt M8\*30mm (24pcs)
- B Nut M8\*13mm (8pcs)
- C Spanner (1pc)



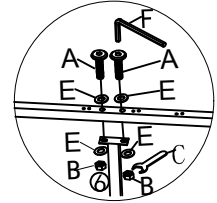
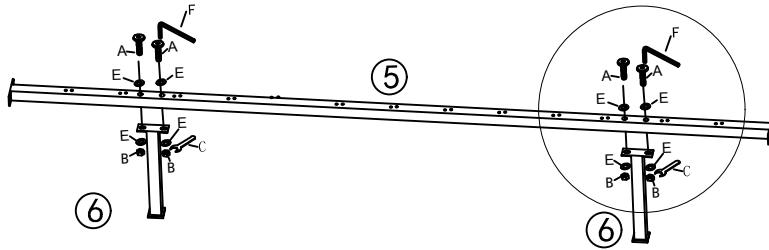
- D Spring Washer (8pcs)
- E Flat Washer  $\phi 20$  (24pcs)
- F M8 Allen Key (1pc)



# ASSEMBLY INSTRUCTIONS

## BED - KING

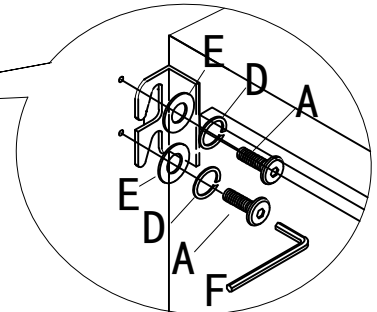
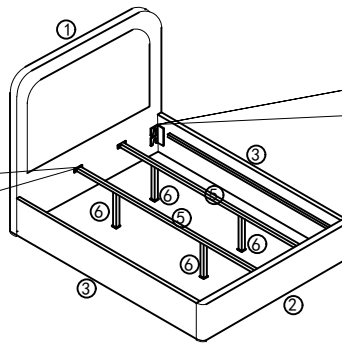
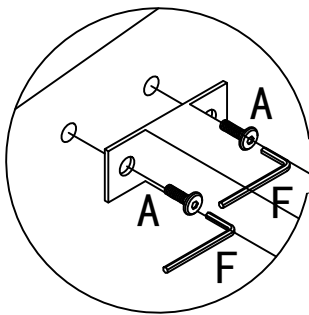
①



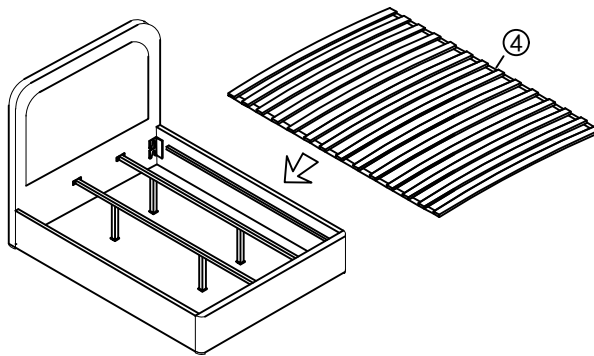
Ensure the **E** Flat Washers are installed on **BOTH** the top and bottom of the Center Support bar !

②

Repeat this step for each corner of the bed.



③



④

