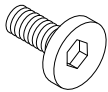
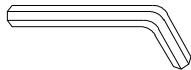
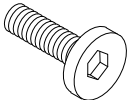
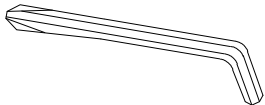
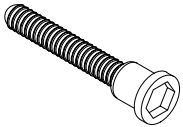
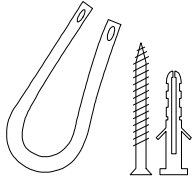
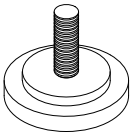
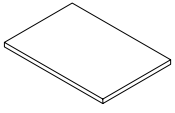
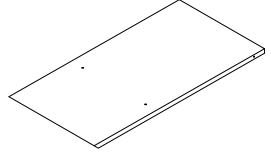
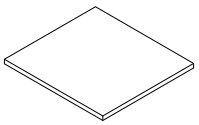
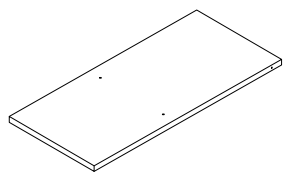
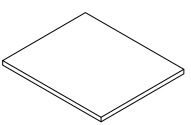
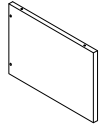
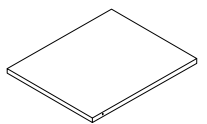
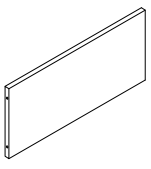
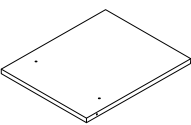
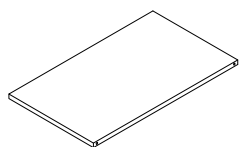
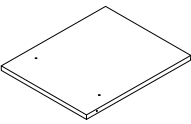
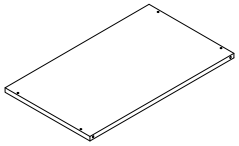


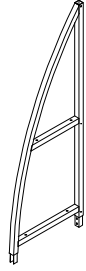
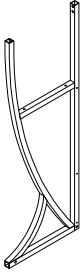
IMPORTANT RETAIN FOR FUTURE REFERENCE: READ CAREFULLY

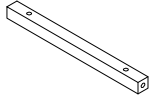
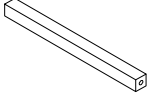
Notice

- Follow the installation instructions. Please confirm all accessories are present before installation.
- Do not fully tighten the screws during initial assembly. Fully tighten screws only once all pieces which are correctly assembled.
- If you encounter any problems during installation, refer to two solutions: Follow the installation video tutorial on the product page or contact our customer service.

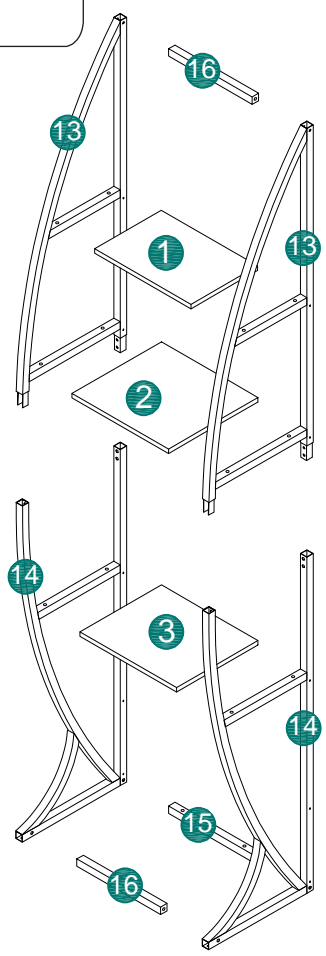
Item no.	Reference Image	Qty.	Item no.	Reference Image	Qty.
A	 6*10mm	X16 +1	E	 M3	X1
B	 6*28mm	X40 +4	F	 M4	X1
C	 5*40mm	X38 +3	G		X2
D		X8			

Item no.	Reference Image	Qty.	Item no.	Reference Image	Qty.
1		X2	7		X1
2		X2	8		X2
3		X2	9		X2
4		X1	10		X1
5		X1	11		X1
6		X1	12		X1

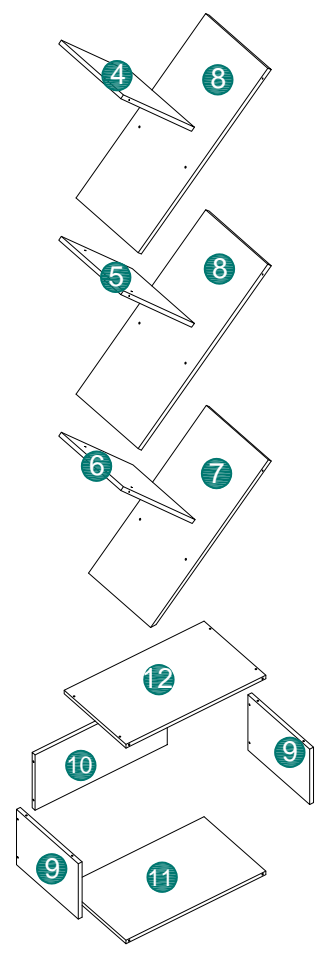
Item no.	Reference Image	Qty.
13		X4
14		X4

Item no.	Reference Image	Qty.
15		X2
16		X4

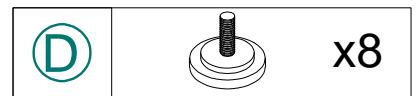
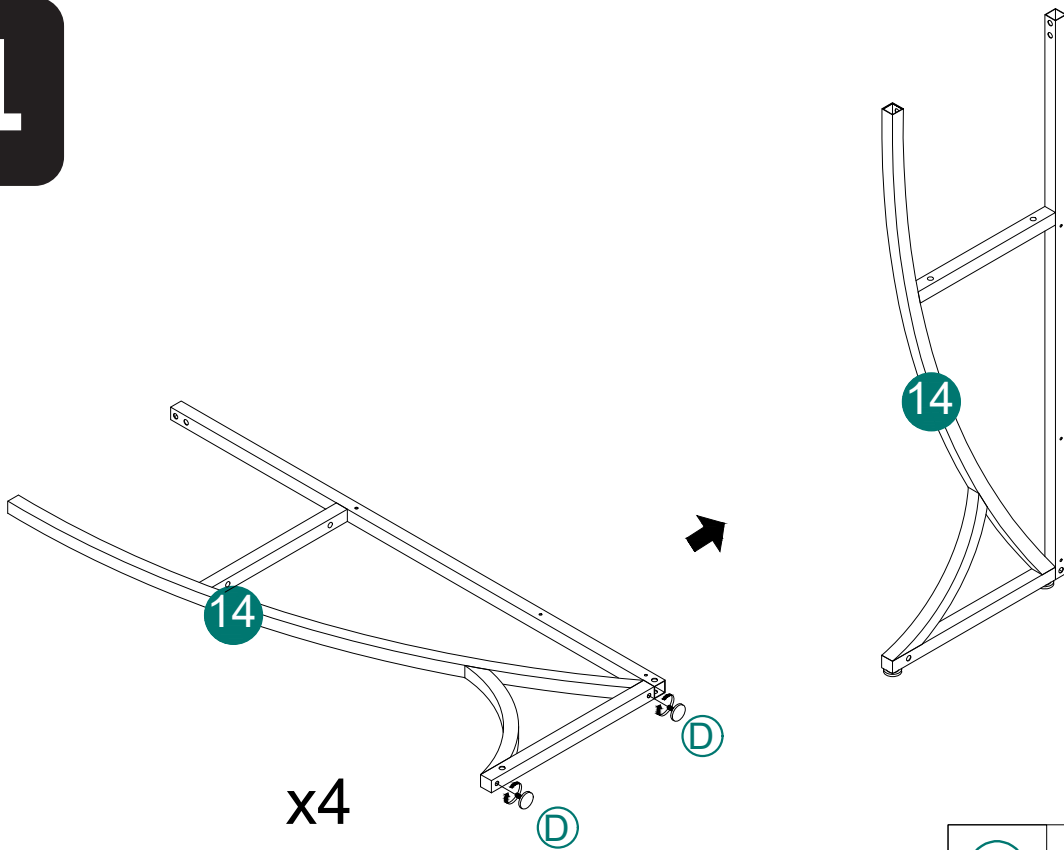
Explosion Diagram



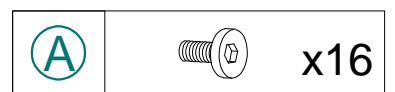
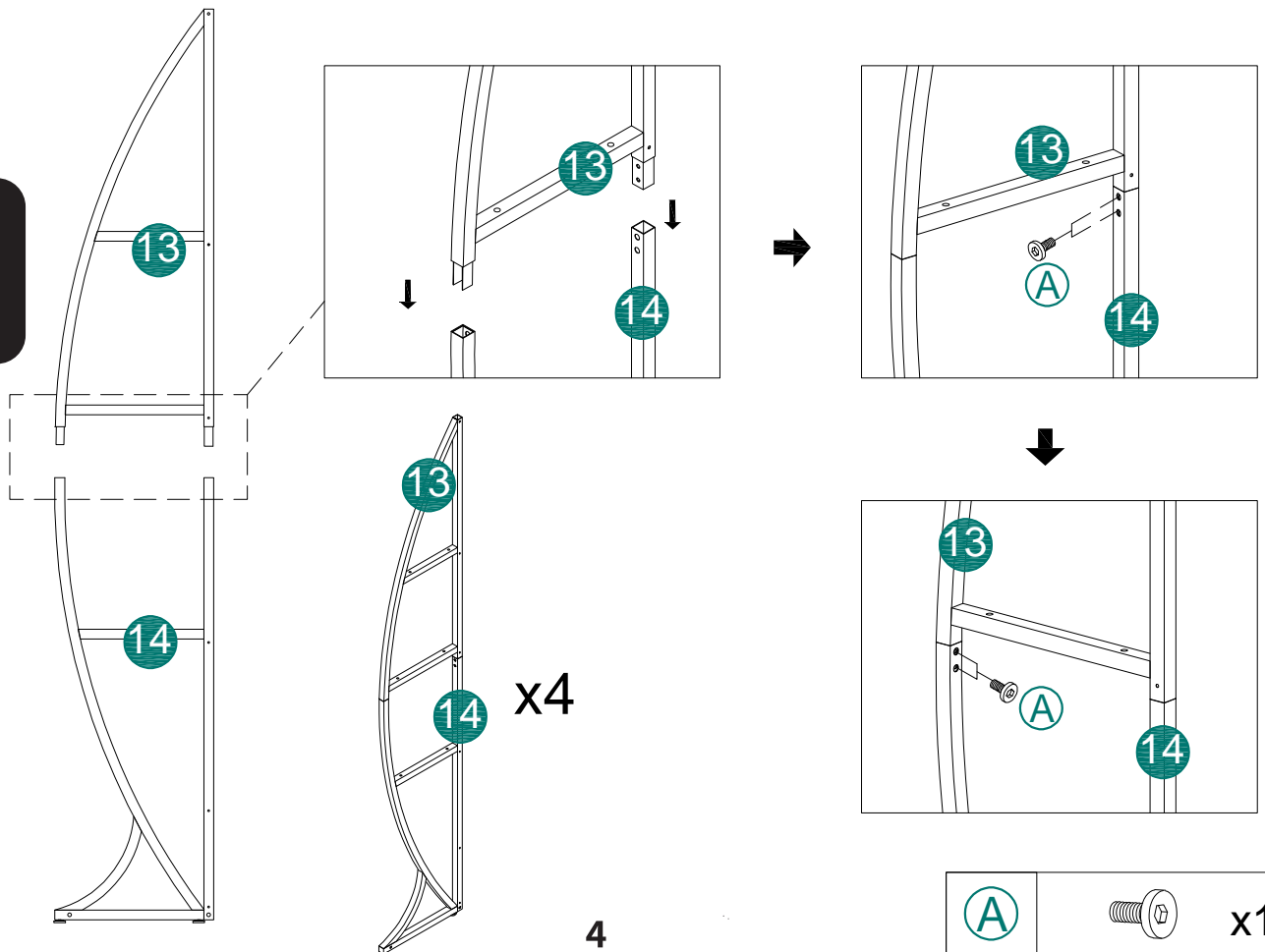
x2



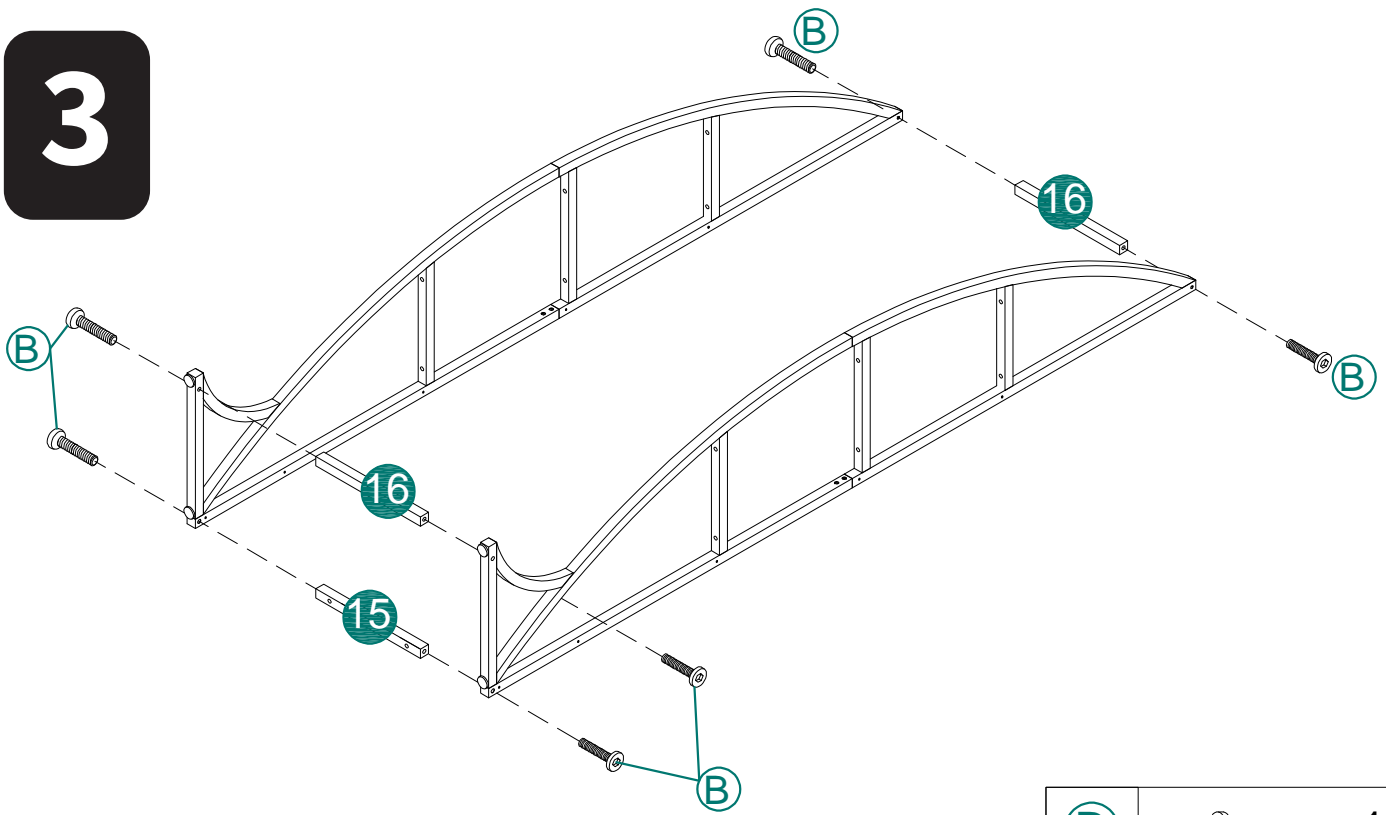
1



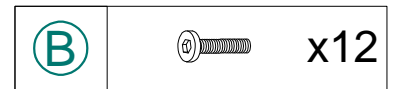
2



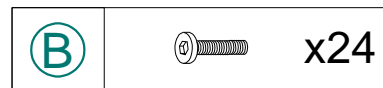
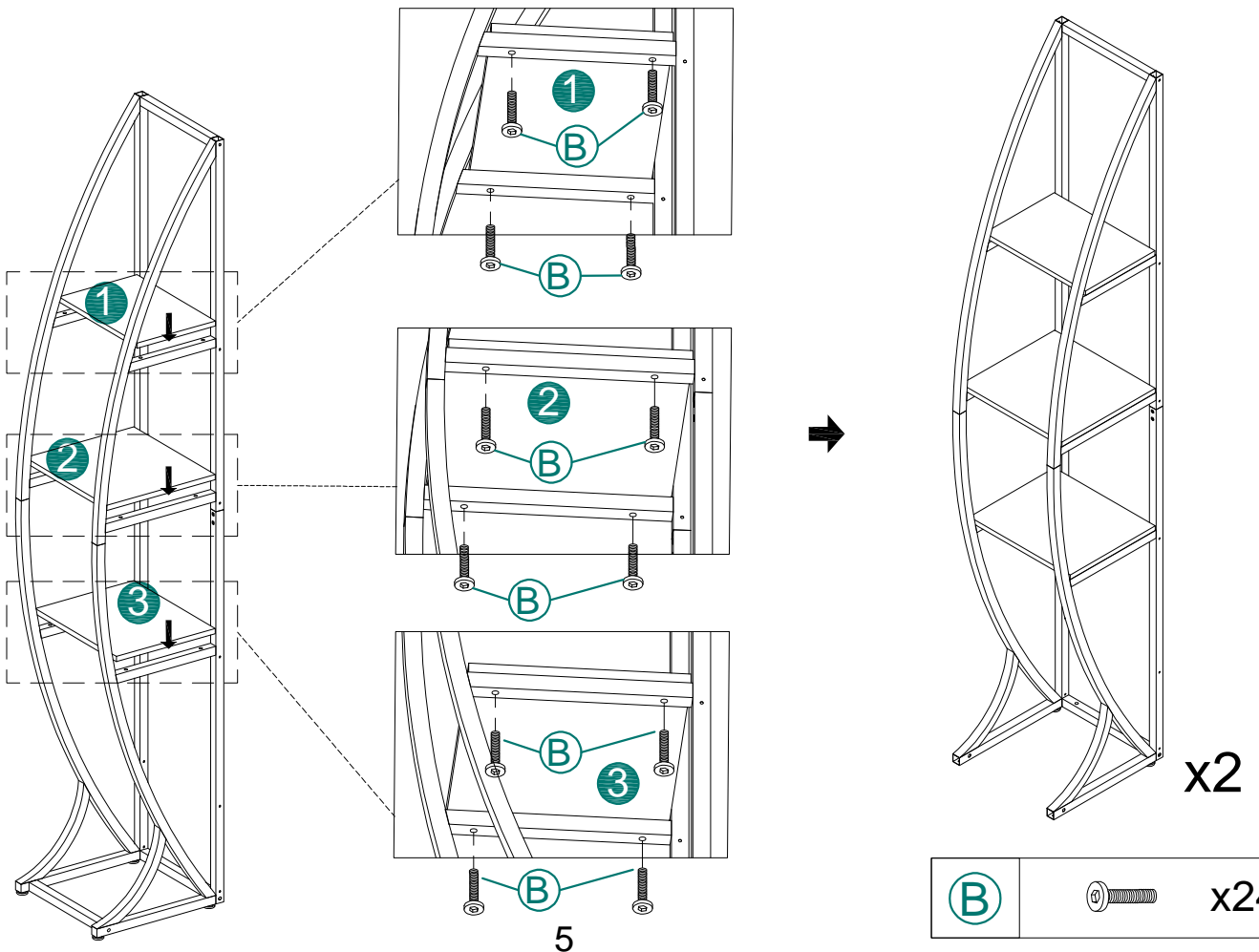
3



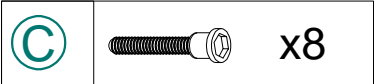
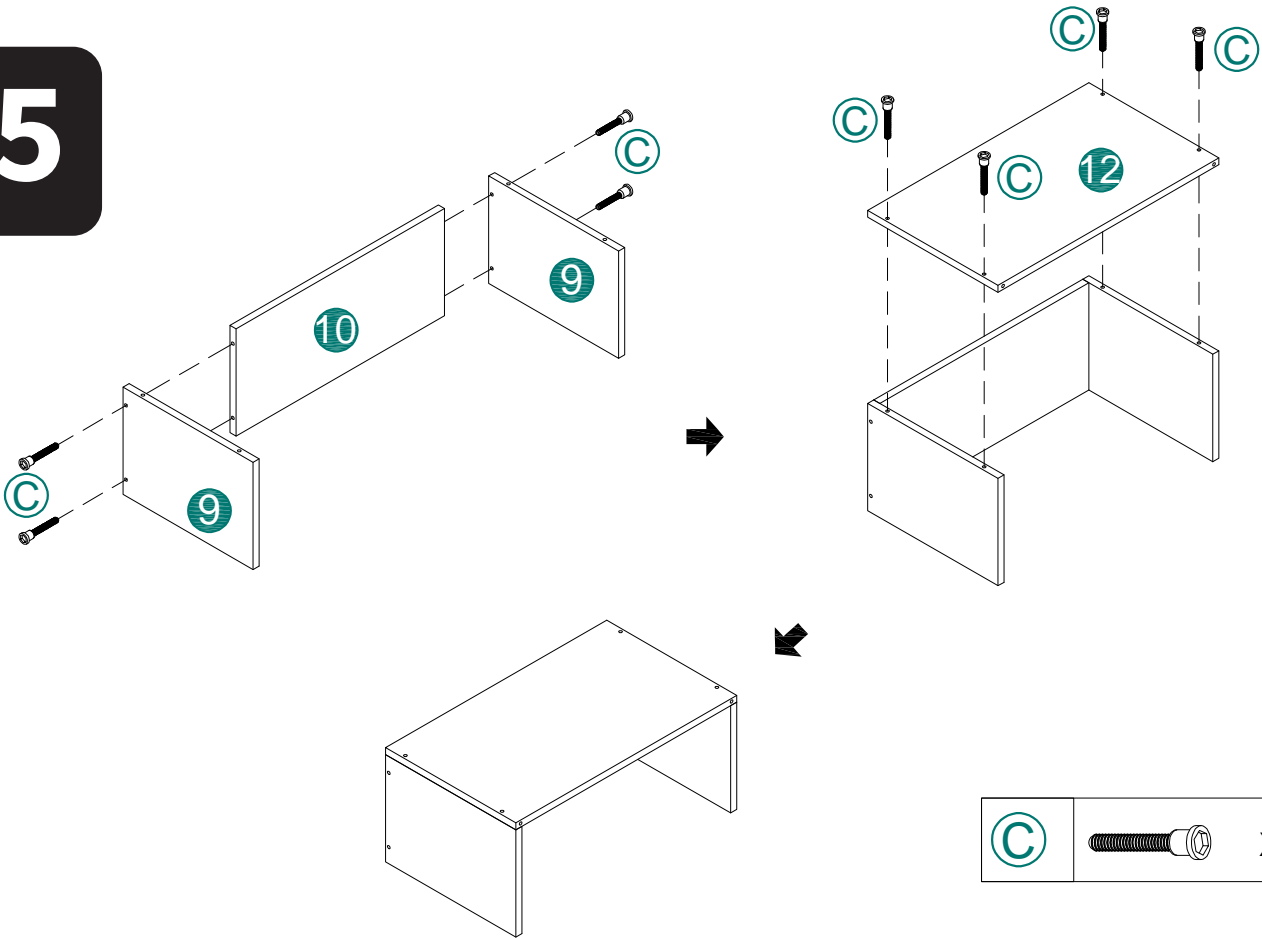
x2



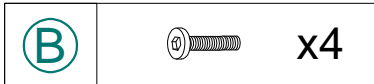
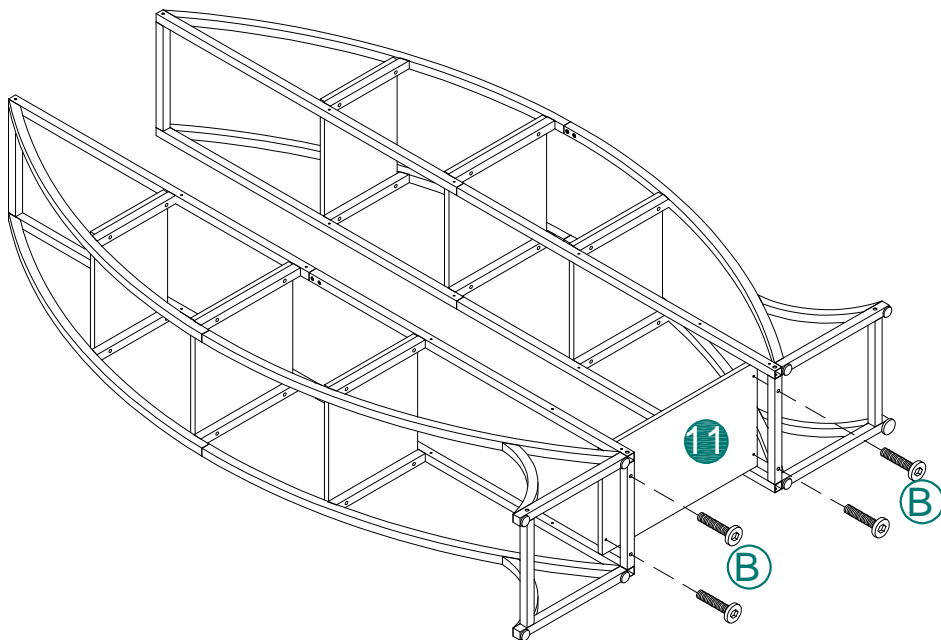
4



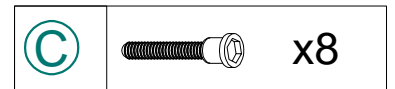
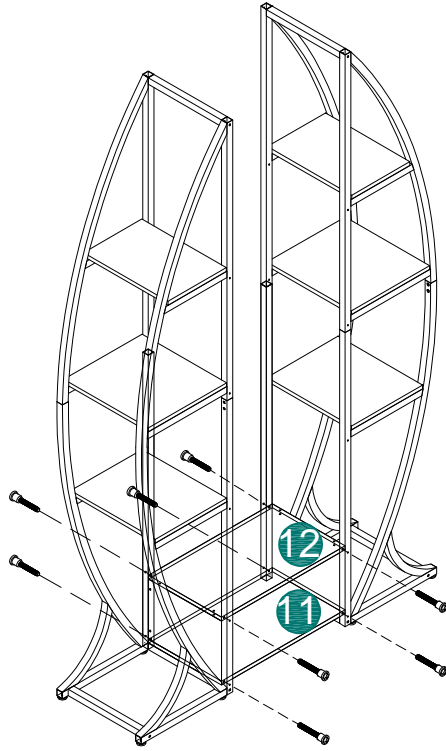
5



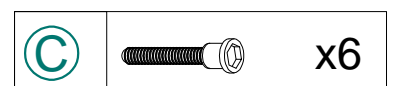
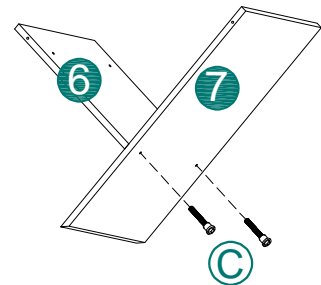
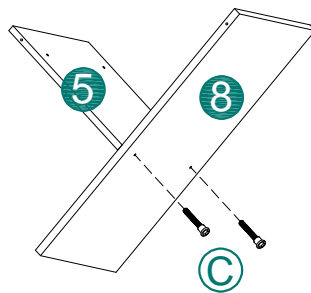
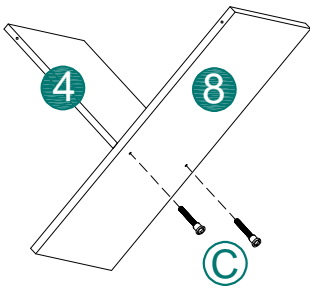
6



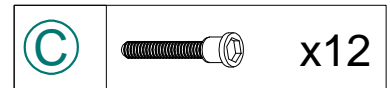
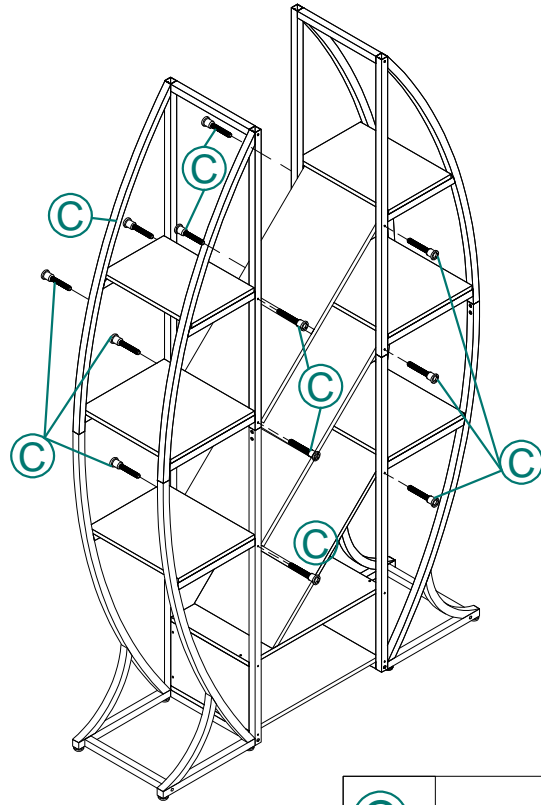
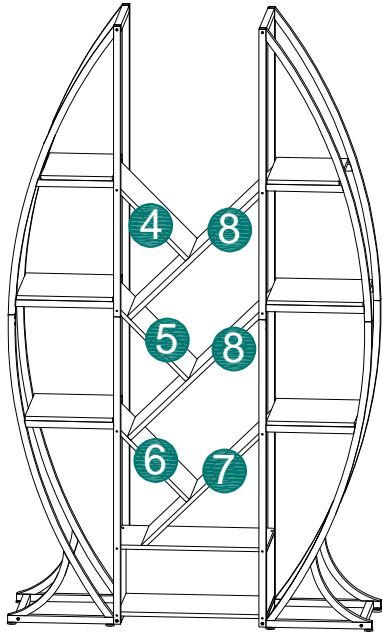
7



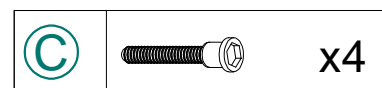
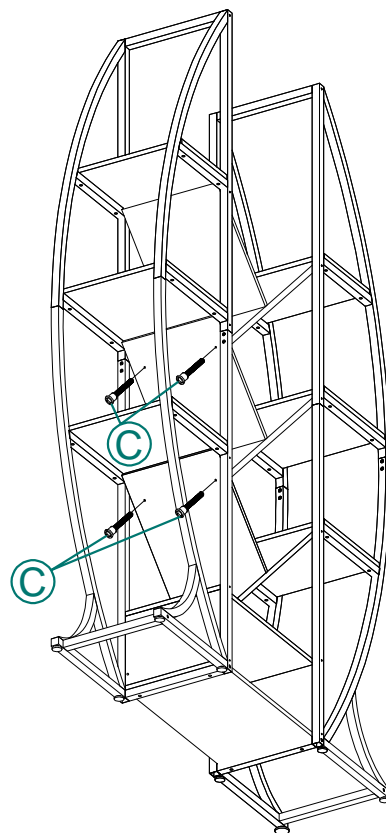
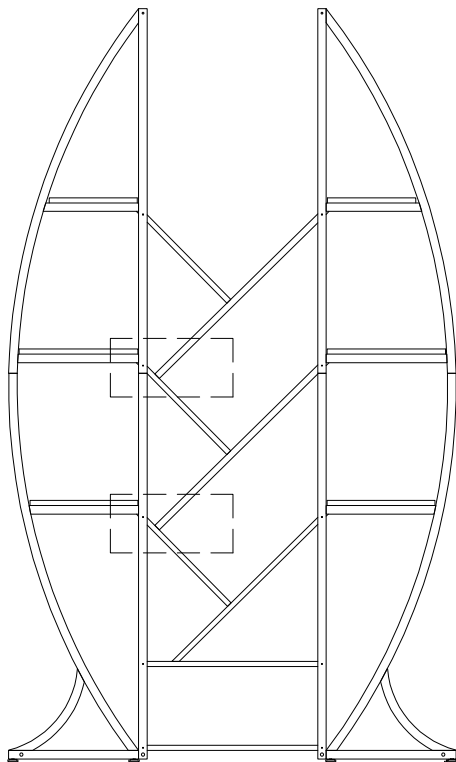
8



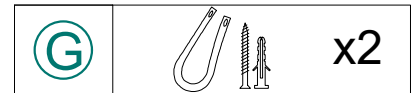
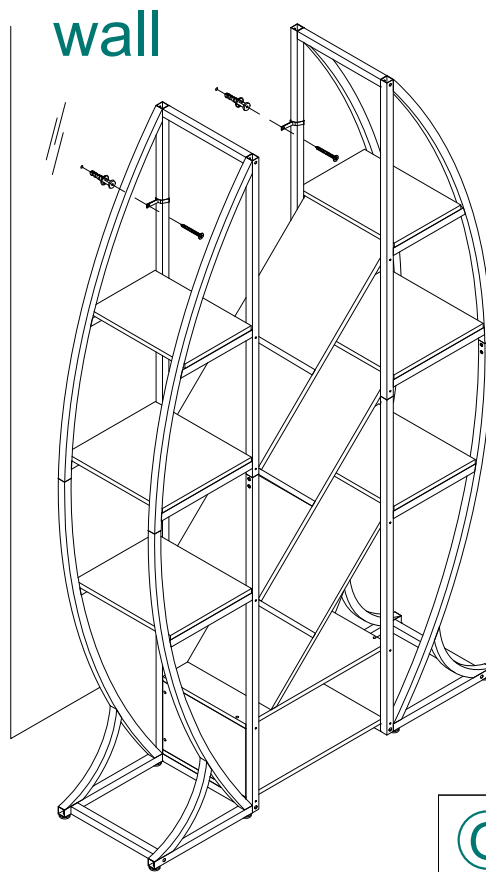
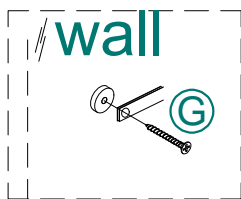
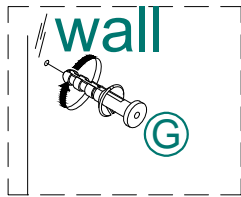
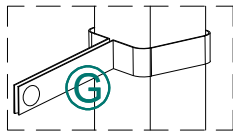
9



10



11



12

