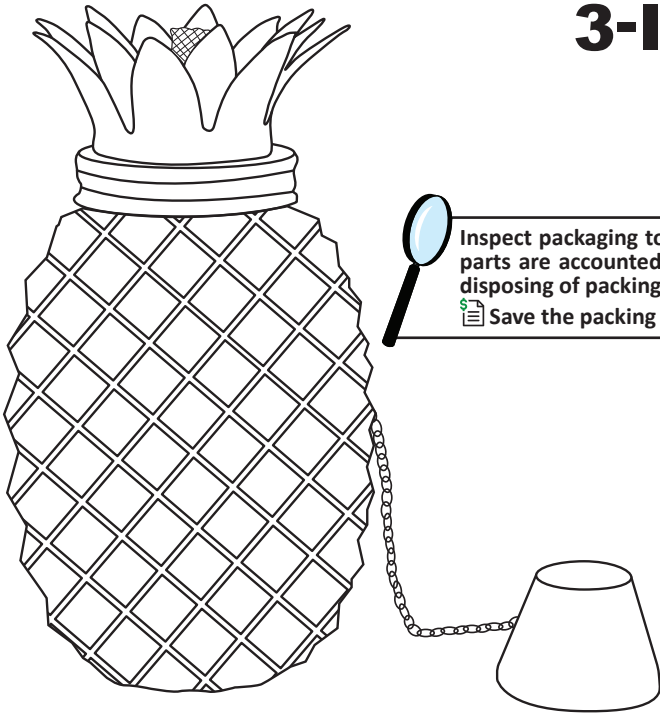


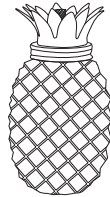

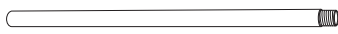
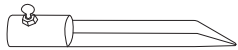
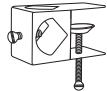
Thank you for choosing . We stand behind our brand and the quality of the items we sell. Replacement parts or products can be requested with the 1-year warranty period. Proof of purchase must be provided. This includes the date of the purchase as well as photos of the product defect. Photos are used to determine the cause of the defect and to provide future quality control. The request will be reviewed, and replacement pieces will be sent at our discretion.

3-IN-1 GLASS PINEAPPLE OUTDOOR TORCHES

Read all information carefully before using this product.
Save this manual for future reference.



Inspect packaging to ensure all parts are accounted for before disposing of packing materials.
Save the packing slip.

No.	PARTS		QTY.
A		Glass Torch Vessel with flame guard and fiberglass wick	2
B		Snuffer	2
C		Pole Section	8
D		Torch Stake	2
E		Deck Clamp	2

⚠ DANGER ⚠

Torch fuel is harmful or fatal if swallowed. Contains petroleum hydrocarbons. Combustible. Read Warning on torch fuel bottle carefully. Torch fuel not included.

⚠ SAFETY STATEMENTS & WARNINGS ⚠

Read all enclosed information thoroughly to develop an understanding of this item before use. Failure to follow warnings and instructions may result in serious injury or destruction of property.

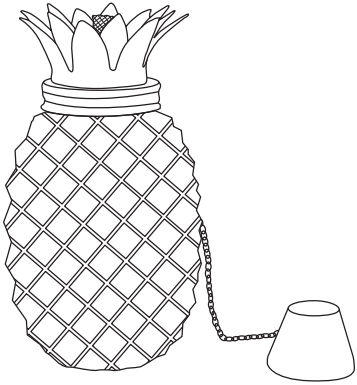
- For outdoor use only.
- Keep out of reach of children or pets.
- Do not tip the torches; fuel may spill and can cause fire or serious injury when lighting the torches.
- Do not leave a burning torch unattended.
- Do not move the torch while it is burning.
- Only use torch fuel; never use gasoline or any other flammable liquids.
- To prevent burn injuries, extinguish the flame and allow the torch to cool down before handling it.
- Only refill when the torch is cold; ensure the unit is completely cool before refilling or cleaning.
- Keep clothing, hair, and body parts away from flame.
- DO NOT place torch under covered shelter or umbrella or near other combustibles, such as but not limited to wood structures, clothing, and dry vegetation.
- Hot while in use.

Any modification to the product or failure to follow recommended care will void the product warranty.

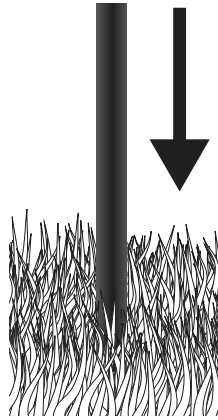
ASSEMBLY / INSTALLATION

INSTALLATION OPTIONS

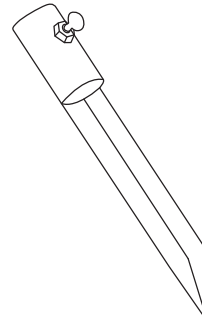
Torch stability depends upon many conditions. Always check your torches to ensure they are in a sturdy, stable location and properly installed before filling and lighting. offers a variety of installation options for multiple backyard environments. Simply select one of these recommended torch installation options.



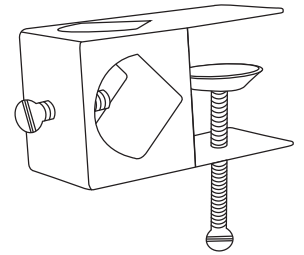
Tabletop



In-Ground

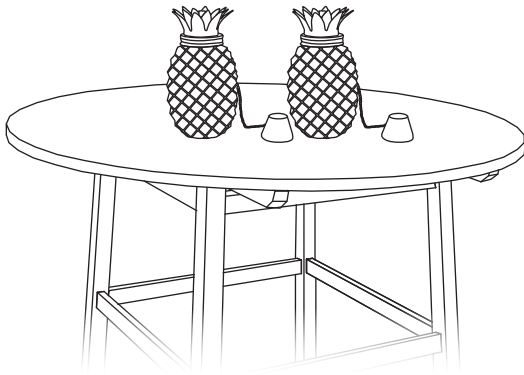


Torch Stake



Deck Clamp

TABLETOP TORCH

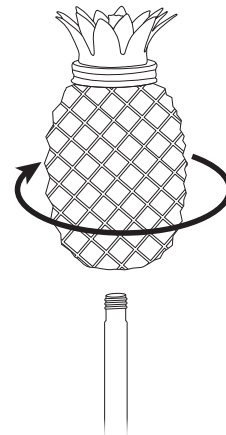
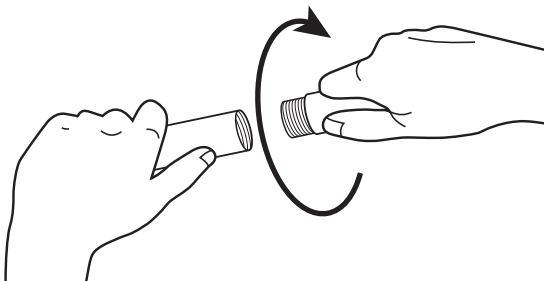


1. Simply place the torch vessel on a table or a flat, level surface.

CAUTION

Do not place torch under covered shelter or umbrella, near pedestrian traffic or combustibles such as, but not limited to, wood structures, fuel, clothing, etc.

BASIC POLE/TORCH ASSEMBLY

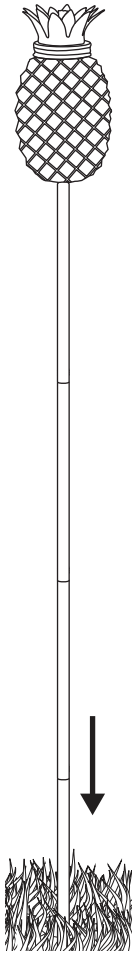


1. Assemble the pole sections to the desired height. Do not exceed 4 pole sections.
2. Screw the torch vessel onto the pole assembly.

IN-GROUND/TORCH STAKE INSTALLATION

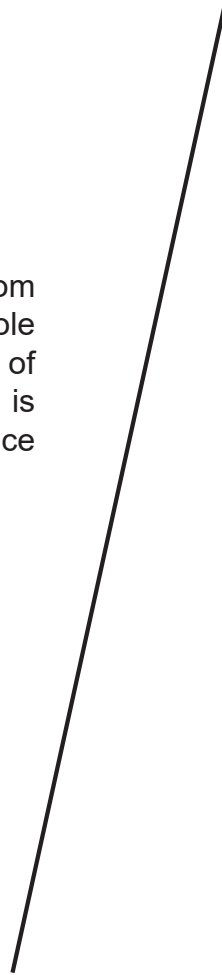
CAUTION

Do not place torch under covered shelter or umbrella, near pedestrian traffic or combustibles such as, but not limited to, wood structures, fuel, clothing, etc.



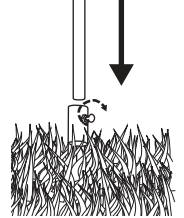
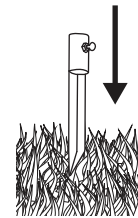
IN-GROUND

1. With a firm grip on the bottom pole sections, insert the pole into the ground a minimum of 6 inches; ensure the torch is sturdy and will not tip over once the vessel is filled.



TORCH STAKE

1. Push the torch stake into the ground so only the top opening is above ground.
2. Place the pole into the opening on the top of the stake.
3. Tighten the thumb screw on the stake until the torch is sturdy and will not tip over once the vessel is filled.

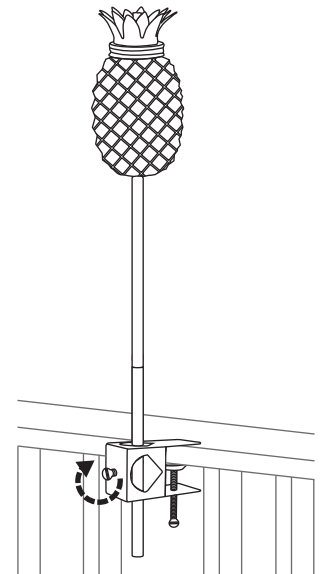
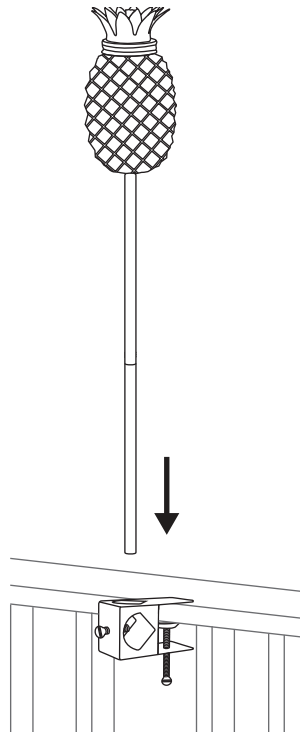
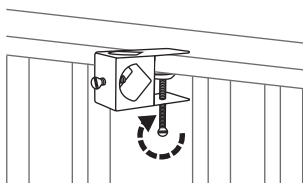


DECK CLAMP INSTALLATION

1. Firmly attach the deck clamp to the desired location by tightening the long thumb screw.
NOTE: Clamp expands up to 2 inches.
2. Position the torch in the deck clamp and secure the pole by tightening the short thumb screw.

CAUTION

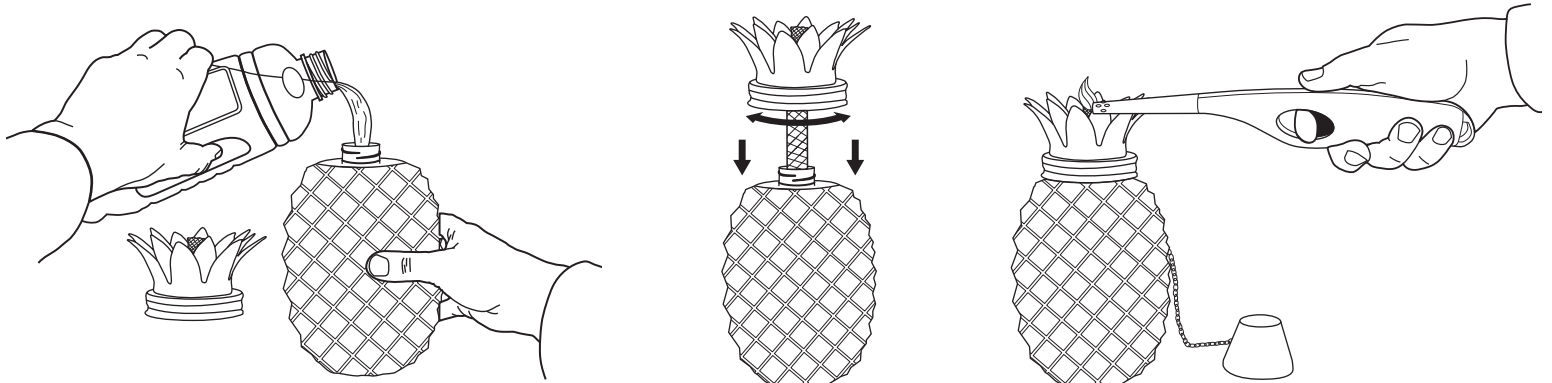
Do not place torch under covered shelter or umbrella, near pedestrian traffic or combustibles such as, but not limited to, wood structures, fuel, clothing, etc.



FILLING AND LIGHTING

Always inspect the glass for damage before filling with torch fuel. If the glass is cracked or broken, do not use.

1. Unscrew the metal flame guard from the torch vessel.
2. Fill the torch vessel with torch fuel (not included) until the fuel is 1 inch below the bottom rim of vessel. **DO NOT OVERFILL. WIPE AWAY ANY SPILLED FUEL BEFORE LIGHTING. WASH HANDS.**
3. Position the wick so 3/4 inch of the wick is exposed out the top of the flame guard.
4. Reattach the flame guard to the torch vessel. **DO NOT OVER-TIGHTEN.**
5. Allow the wick to absorb and become saturated with the torch fuel before lighting the wick.
6. Use a long lighter or a long fireplace match to light the fiberglass wick.

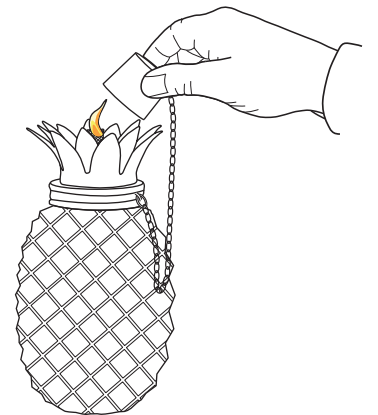


EXTINGUISHING

1. Carefully place the metal snuffer over the lit wick until it is completely extinguished. **DO NOT BLOW OUT.**

⚠ CAUTION: Snuffer may become hot while flame extinguishes. If flame does not extinguish, use fire-resistant gloves to hold the snuffer over the wick until the flame is completely extinguished.

! IMPORTANT: When the torch is not in use, leave the snuffer on the torch to prevent water contamination. If the fuel becomes contaminated with water, the wick and fuel must be replaced. Torch fuel must be properly disposed of in accordance with local laws and regulations.

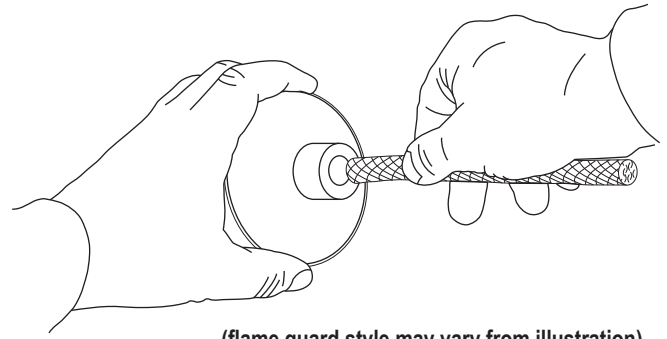


REFILLING

1. If the torch is lit, carefully place snuffer over the flame guard to extinguish the flame. **DO NOT BLOW OUT. Ensure the torch is completely cool before handling and refilling. If you feel any heat when your hand is close to the torch, it is too hot to refill.**
2. Unscrew the metal flame guard from the torch vessel.
3. Fill the torch vessel with torch fuel (not included) until the fuel is 1/2 inch below the bottom rim of vessel. **DO NOT OVERFILL. WIPE AWAY ANY SPILLED FUEL BEFORE LIGHTING. WASH HANDS.**
4. Position the wick so 3/4 inch of the wick is exposed on the top of the flame guard.
5. Reattach the flame guard to the torch vessel. **DO NOT OVER-TIGHTEN.**
6. Allow the wick to become saturated with fuel before lighting.
7. Use a long lighter or a long fireplace match to light the fiberglass wick.

WICK REPLACEMENT

1. Carefully remove the wick from the flame guard. Properly dispose of the wick in accordance with local laws and regulations.
2. Replace the wick with a new 1/2-inch diameter Fiberglass Wick and position the wick so 3/4 inch of the wick is exposed on the top of the flame guard.
3. If the wick is too long, trim as needed.



(flame guard style may vary from illustration)

STORAGE

1. Store fuel in the original fuel container with the cap secured. Follow instructions on the torch fuel container when storing torch fuel. Torch fuel not included.
2. Dispose of any unwanted fuel in accordance with local laws and regulations.
3. Disassemble pole sections before storing them.
4. Always store torches in an upright position in a dry location.
5. Leave the flame guard and snuffer installed on the torch to prevent contamination of the vessel and the wick.
6. Store all components in a dry, indoor location. Avoid exposure to moisture as it may cause the metal components to rust.
7. Keep torches away from heat sources.

CLEANING

⚠ IMPORTANT:

- Ensure the torch is extinguished and completely cool *before* attempting to clean any components.
 - Do not allow the wick to become contaminated with water or cleaning products. If the wick becomes contaminated, it must be replaced.
1. Use warm water and a soft cloth to remove dirt and debris.
 2. To remove stubborn soot or spilled torch fluid from the outside of the torch, mix detergent with warm water and carefully wipe components down, ensuring the wick does not become contaminated with the soap or water.
 3. Dry all metal components to help prevent rust.

NOTE: Cleaning the inside of the torch vessel is not recommended. Soap residue and water may contaminate the torch fuel and wick, resulting in the torch not functioning as intended.

Any modification to the product or failure to follow recommended care will void the product warranty.

If you experience issues with assembly or the product was damaged during shipping, please contact our customer service team through one of the methods mentioned at the top of page 1.

Please have the item number and order information ready to expedite response time.

⚠ WARNING!

Manufacturer and seller expressly disclaim any and all liability from personal injury, property damage or loss, whether direct or indirect, or incidental, resulting from the incorrect attachment, improper use, inadequate maintenance, or neglect of this product.