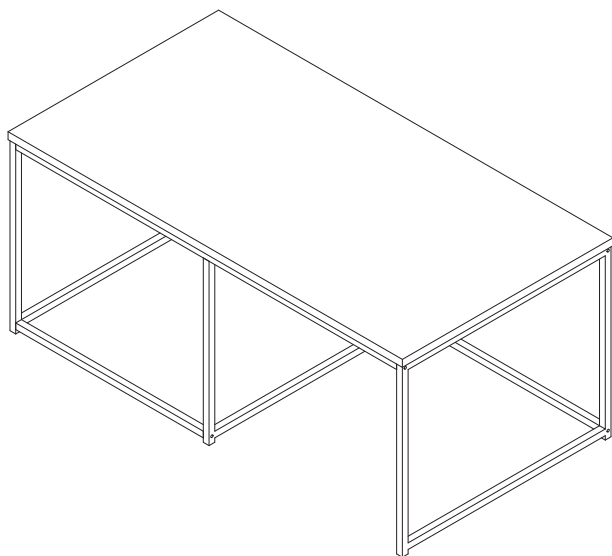


Instruction Manual

Coffee Table



⚠ SAFETY AND CARE ADVICE ⚠

PLEASE READ THESE INSTRUCTIONS CAREFULLY AND KEEP FOR FUTURE REFERENCE

- **Warning:** Please lift with care.
- Check you have all the components and tools listed on pages 2 and 3.
- Remove all fittings from the plastic bags and separate them into their groups.
- Keep children and animals away from the work area, small parts could choke if swallowed.
- Make sure you have enough space to lay out the parts before starting.
- Do not stand or put weight on the product, this could cause damage.
- Assemble the item as close to its final position (in the same room) as possible.
- Assemble on a soft level surface to avoid damaging the unit or your floor (use opened out unit carton).



- We do not recommend the use of power drill/drivers **for inserting screws**, as this could damage the unit. Only use hand screwdrivers.
- Dispose of all packaging carefully and responsibly.

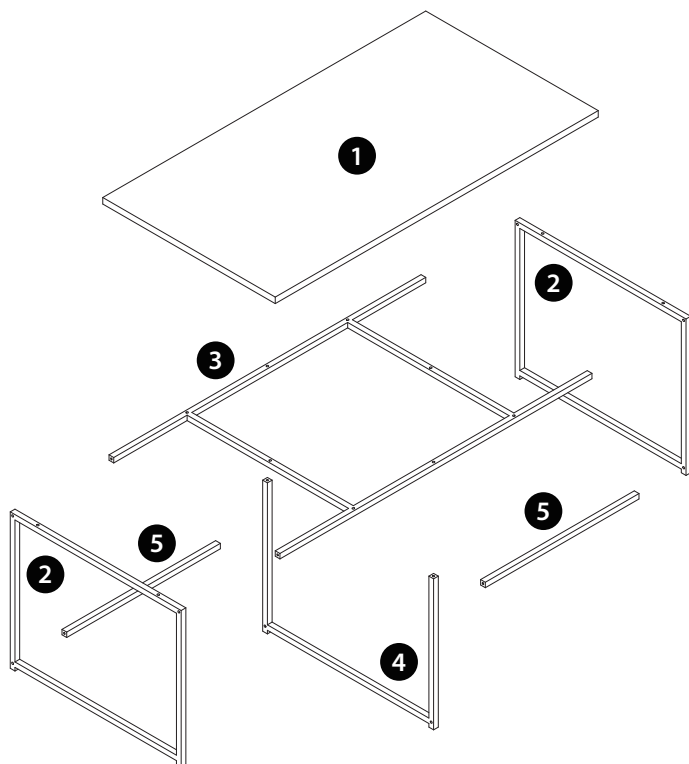
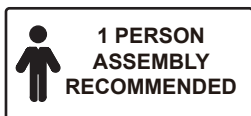
CARE AND MAINTENANCE

- Only clean using a damp cloth and mild detergent, do not use bleach or abrasive cleaners.
- From time to time check that there are no loose screws on this unit.
- This product should not be discarded with household waste. Take to your local authority waste disposal center.

Note *If required the next page can be cut out and used as reference throughout the assembly. Keep this page with these instructions for future reference.*

COMPONENTS

Please check you have all the panels listed below:



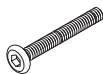
1 Top Panel	x1	4 Support leg	x1
2 Left/Right Side Frame	x2	5 Support bar	x2
3 Support frame	x1		



COMPONENTS

Please check you have all the fittings listed below:

A



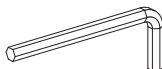
Screw($\text{\O}6 \times 25\text{mm}$) x 16

B



Screw($\text{\O}6 \times 25\text{mm}$) x 2

C

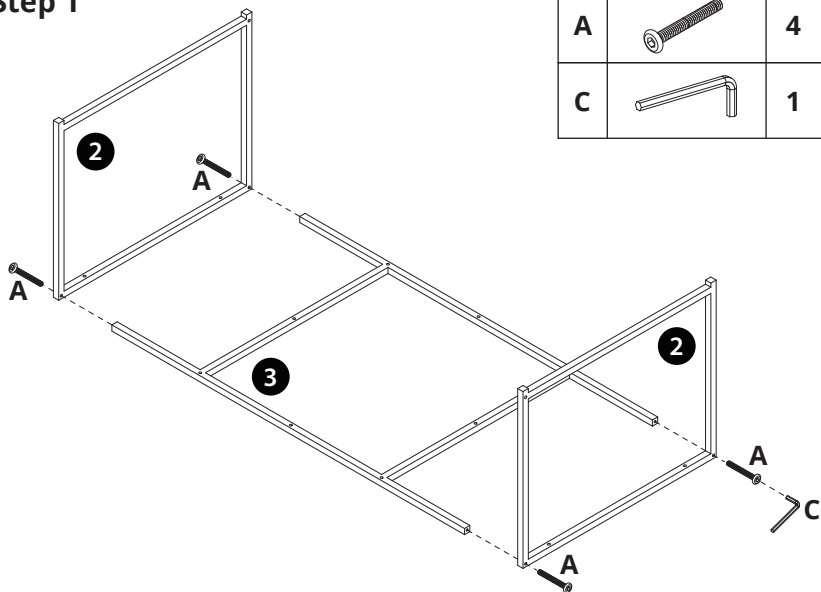




Allen wrench x 1



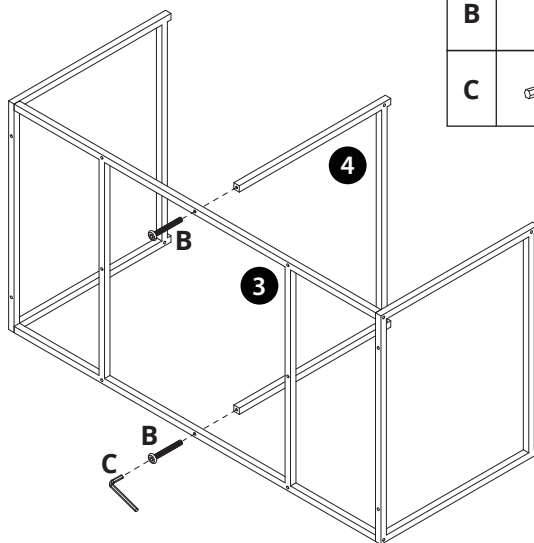
ASSEMBLY INSTRUCTIONS

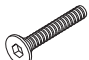

Step 1



A		4	
C		1	

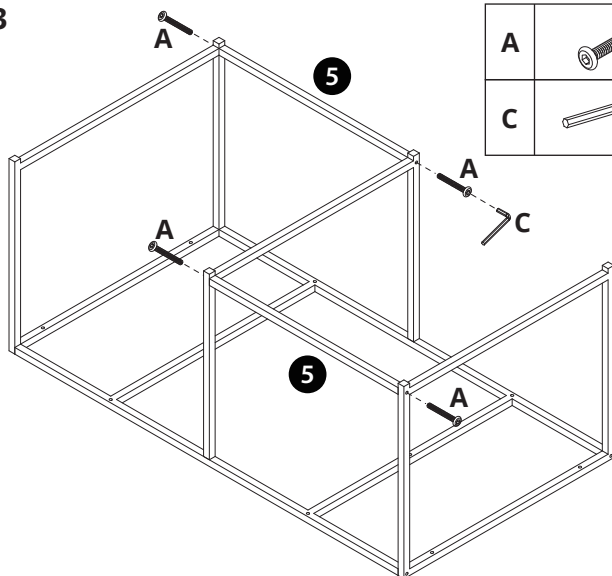
Step 2

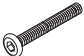



B		2	
C		1	

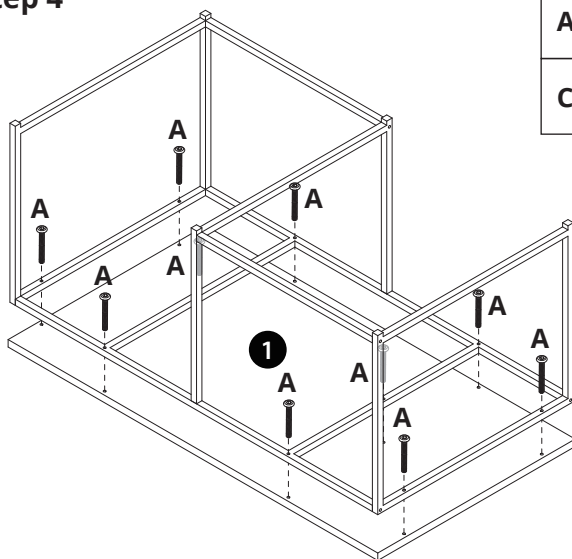
ASSEMBLY INSTRUCTIONS



Step 3



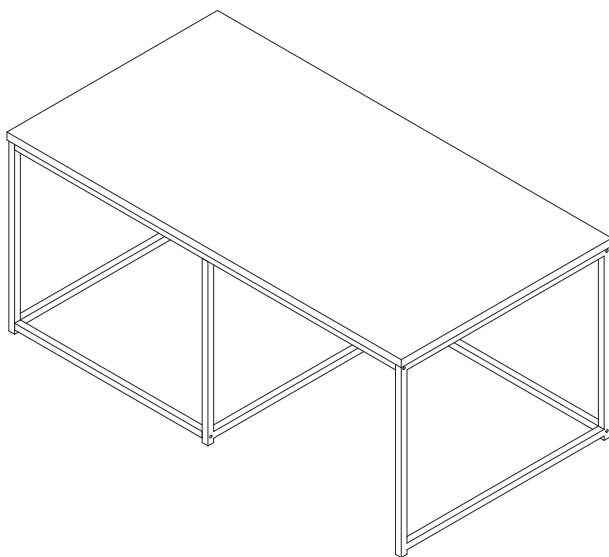
A		4	
C		1	

Step 4



A		8	
C		1	

ASSEMBLY INSTRUCTIONS



Congratulations! Now you have finished assembling the product.