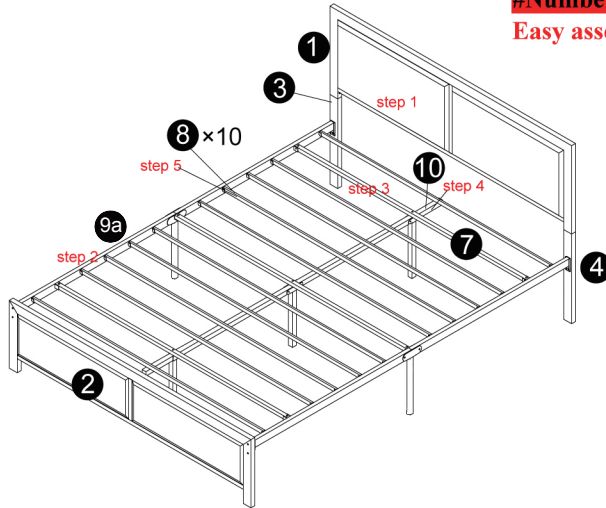


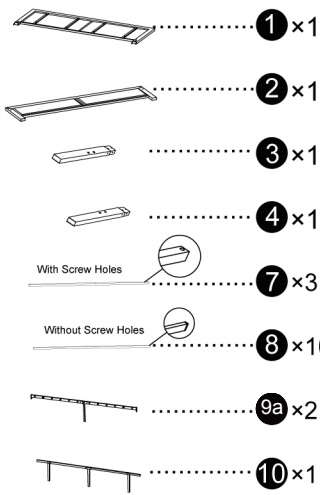
Bed Frame Installation Manual

#NumberSystem

Easy assembly by following step 1、step 2、step 3...



Components



Screws & Tools

A		M8×50mm	×4
B		M6×55mm	×3
C		M6×30mm	×6
D		M6×20mm	×4
E		M6×12mm	×6
F			×4
G			×8
H		4×4mm	×2
N			×1

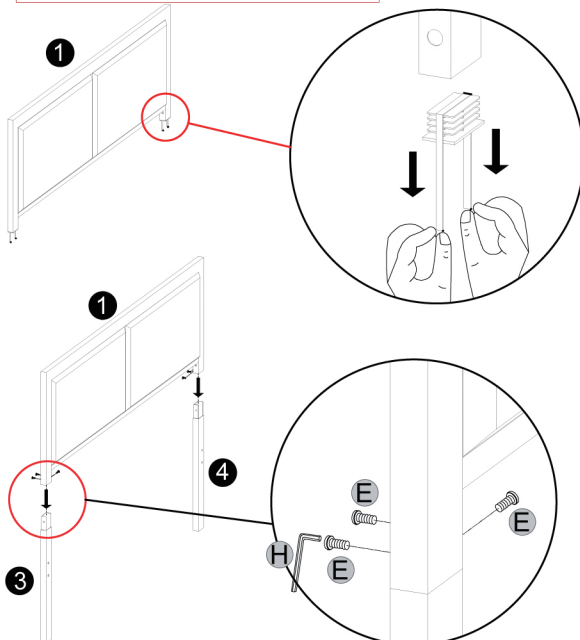
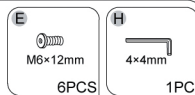
Return Policy

We believe you will absolutely love your Metal platform bed. But if for some reason you want to return the foundation, please contact us directly before you decide to return your product. Our customer service organization can answer most concerns and assist you with any questions you may have about your new foundation. The item must be returned within 30 days of delivery for a full refund. The item must be returned in good condition, in original box, with all original proof of purchase, parts and accessories.

We control manufacturing and distribution ourselves, ensure the quality.

1

Note: For easy setup intention, do not tighten screws during the installation process



2

