

GLOBAL PROCUREMENT AND MARKETING LIMITED

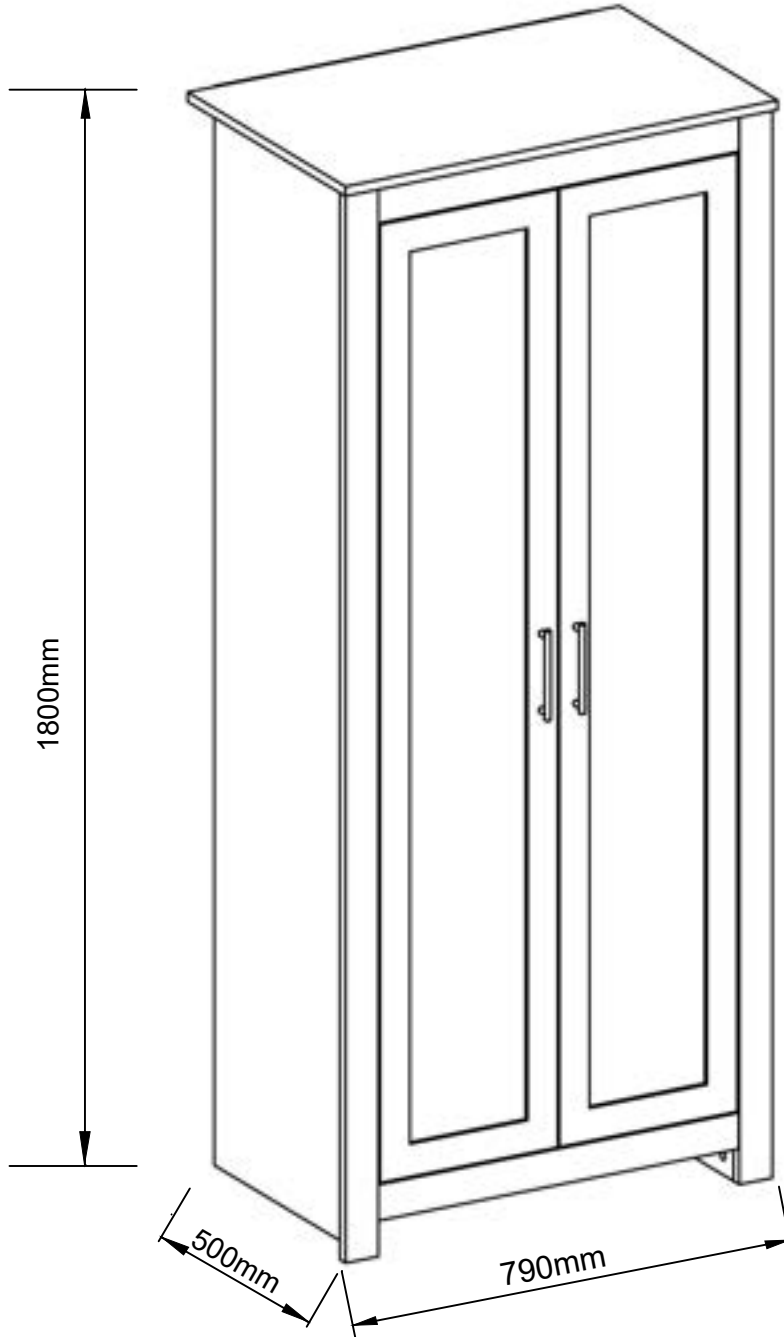
2 Door Wardrobe


Assembly Instructions – Please keep for future reference

ROBCAM2GY

ROBCAM2WT

ROBCAM2GR



Dimensions	No. people	Assembly Time	SKU #
Width: 79 cm Depth: 50 cm Height: 180cm		60 mins (approx.)	ROBCAM2GY ROBCAM2WT ROBCAM2GR

thank you

For purchasing this
GPM Limited
product

Important

- PLEASE READ THESE INSTRUCTIONS FULLY BEFORE STARTING ASSEMBLY
- PLEASE DO NOT THROW THE PACKAGING AWAY UNTIL YOU ARE SATISFIED WITH PURCHASE, GOODS NEED TO BE RETURNED IN ORIGINAL PACKAGING.

If you need help or have damaged or missing parts, please email aftersales@gpmfurniture.co.uk

⚠ Safety and Care Advice

Important – Please read these instructions fully before starting assembly

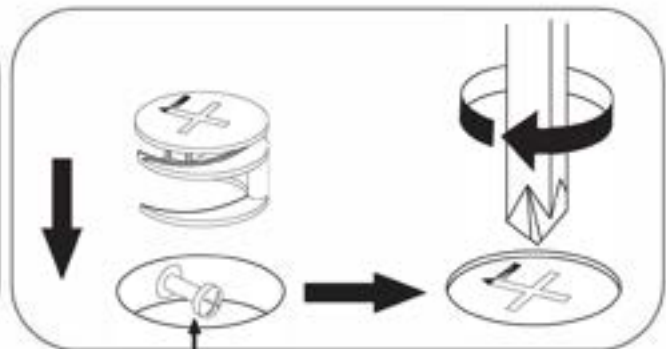
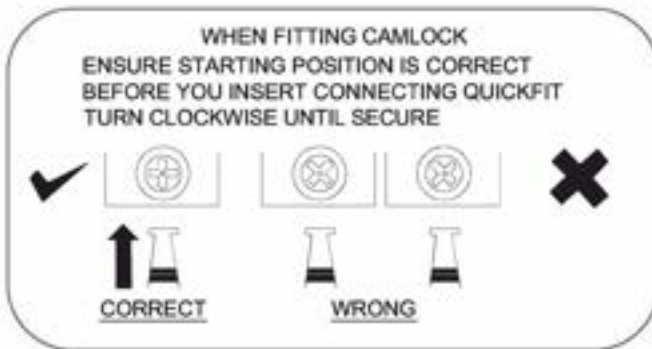
- Check you have all the components and tools listed on pages 4 and 5.
- Remove all fittings from the plastic bags and separate them into their groups.
- Keep children and animals away from the work area, small parts could choke if swallowed.
- Make sure you have enough space to lay out the parts before starting.
- Do not stand or put weight on the product, this could cause damage.
- Assemble the item as close to its final position (in the same room) as possible.
- Assemble on a soft, level surface to avoid damaging the unit or your floor.
- We do not recommend the use of power drill/drivers for inserting screws, as this could damage the unit. Only use hand screwdrivers.
- Dispose of all packaging carefully and responsibly.



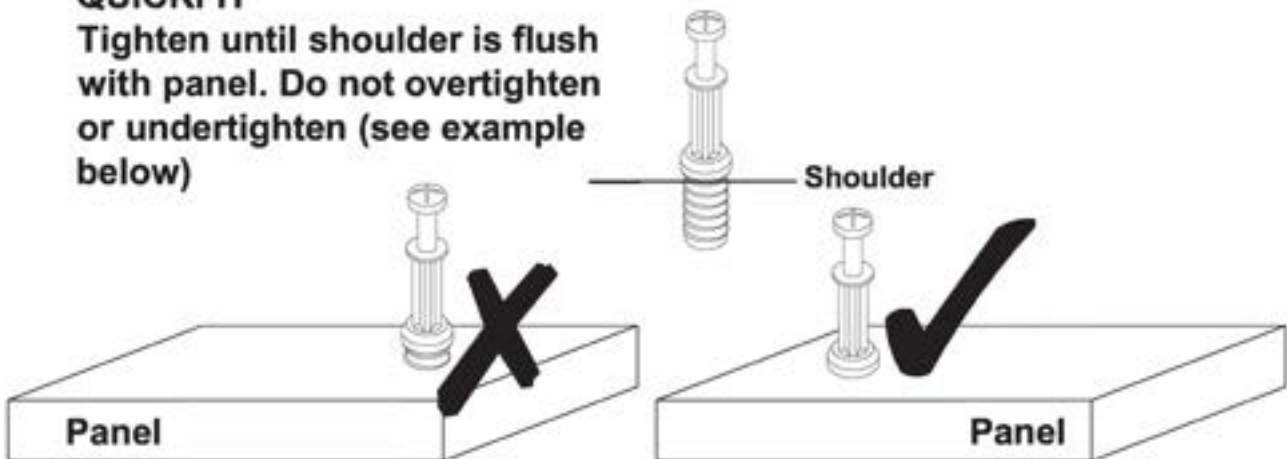
Care and Maintenance

- Only clean using a damp cloth and mild detergent, do not use bleach or abrasive cleaners.
- From time to time check that there are no loose screws on this unit.
- This product should not be discarded with household waste. Take to your local authority waste disposal centre.

SPECIAL TIPS FOR FITTING CAM-LOCKS AND QUICKFIT



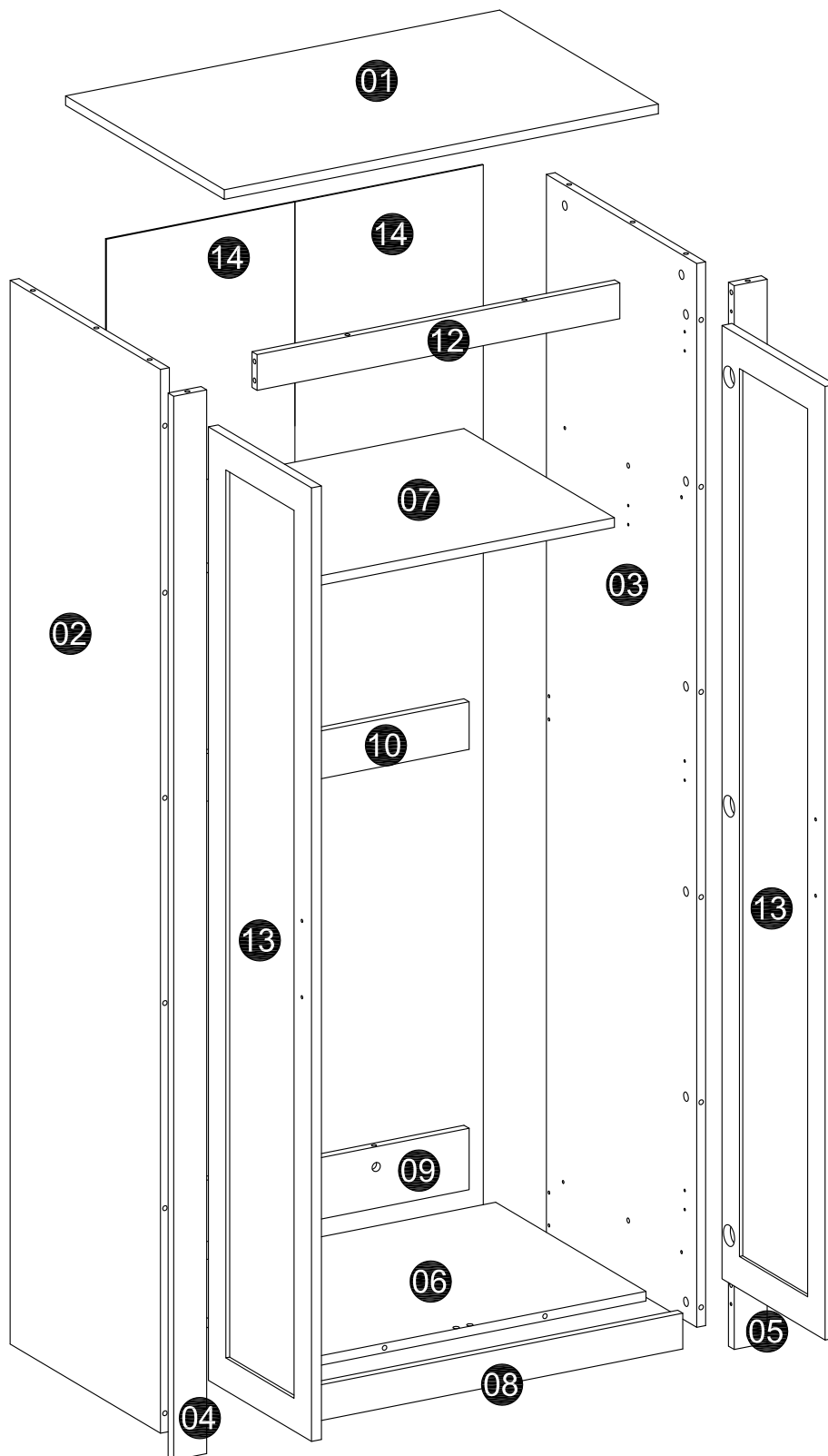
QUICKFIT
Tighten until shoulder is flush with panel. Do not overtighten or undertighten (see example below)



If you are unhappy with the product and wish to return it, please follow the retailer's returns procedure.

Exploded View

If you have damaged or missing components,
email: aftersales@gpmfurniture.co.uk






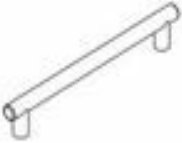






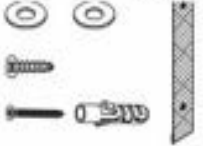


Components - Fixings

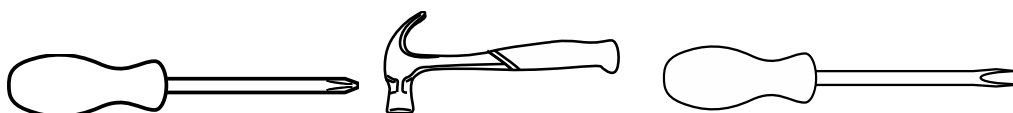
If you have damaged or missing components,
email: aftersales@gpmfurniture.co.uk

Please check that you have all the components listed below before constructing your item.

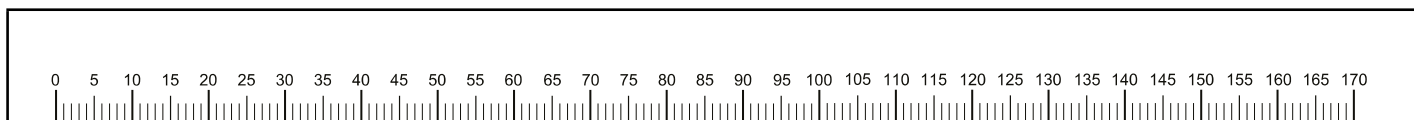
Note: The quantities below are the correct amount to complete the assembly. In some cases more fittings may be supplied than are required.

<p>A CAM lock dowel x44</p> 	<p>B CAM lock x44</p> 	<p>C Weed dowel x13</p> 	<p>D Screw $\varnothing 3.5 \times 14$ x42</p> 	<p>E Hanger base x2</p> 
<p>F Handle x2</p> 	<p>G Bolt for handle x4</p> 	<p>H Nail leg x4</p> 	<p>I Nail</p> 	<p>J Hinges x6</p> 
<p>K Hanger rod x1</p> 	<p>L Doorstop x1</p> 	<p>M Anti-falling accessory x2</p> 		

Tools Required



Ruler – Use this to measure your screws (mm)



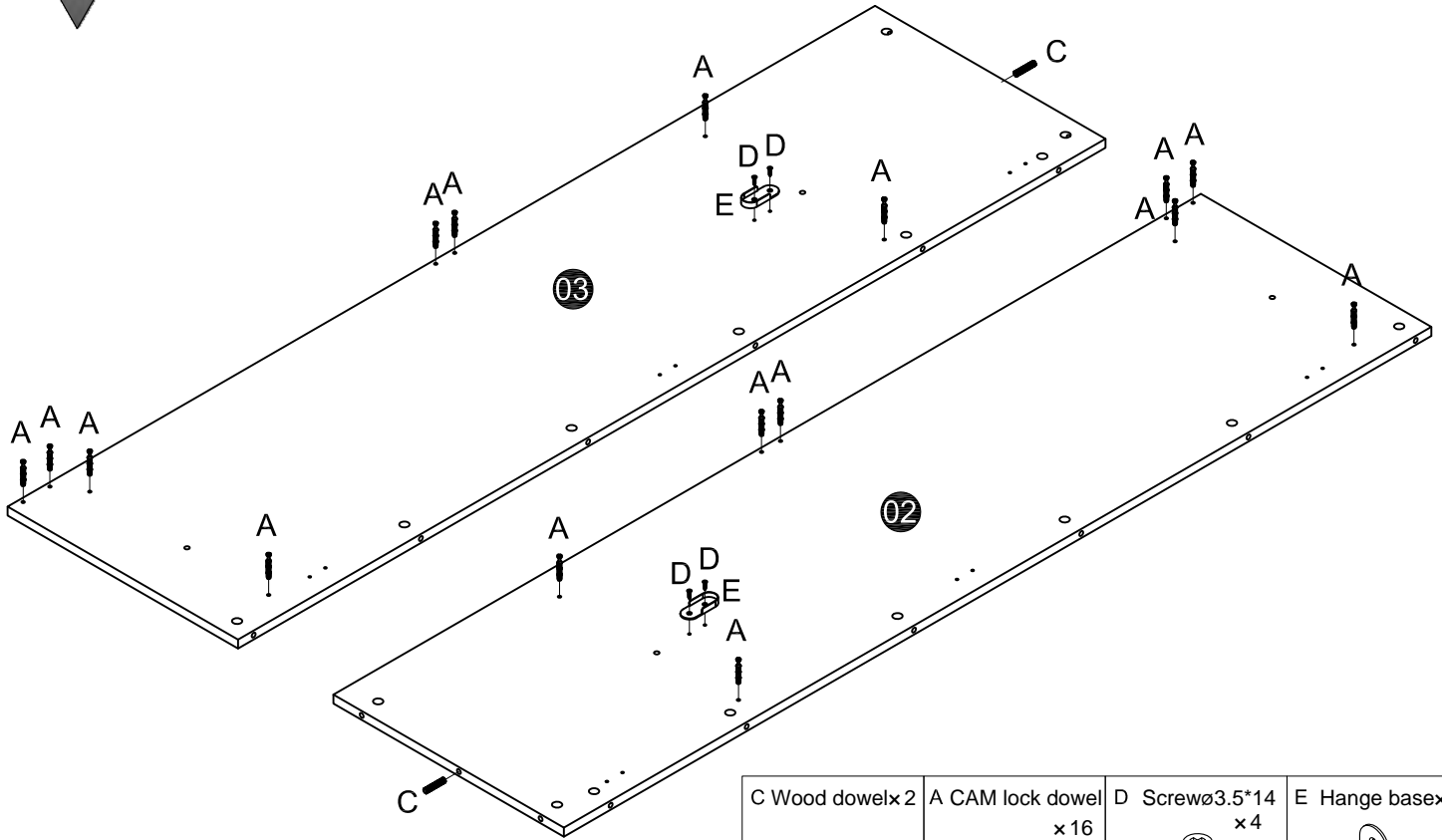
Important – Please read these instructions fully before starting assembly





If you need help or have damaged or missing parts, please email aftersales@gpmfurniture.co.uk

Assembly Instructions

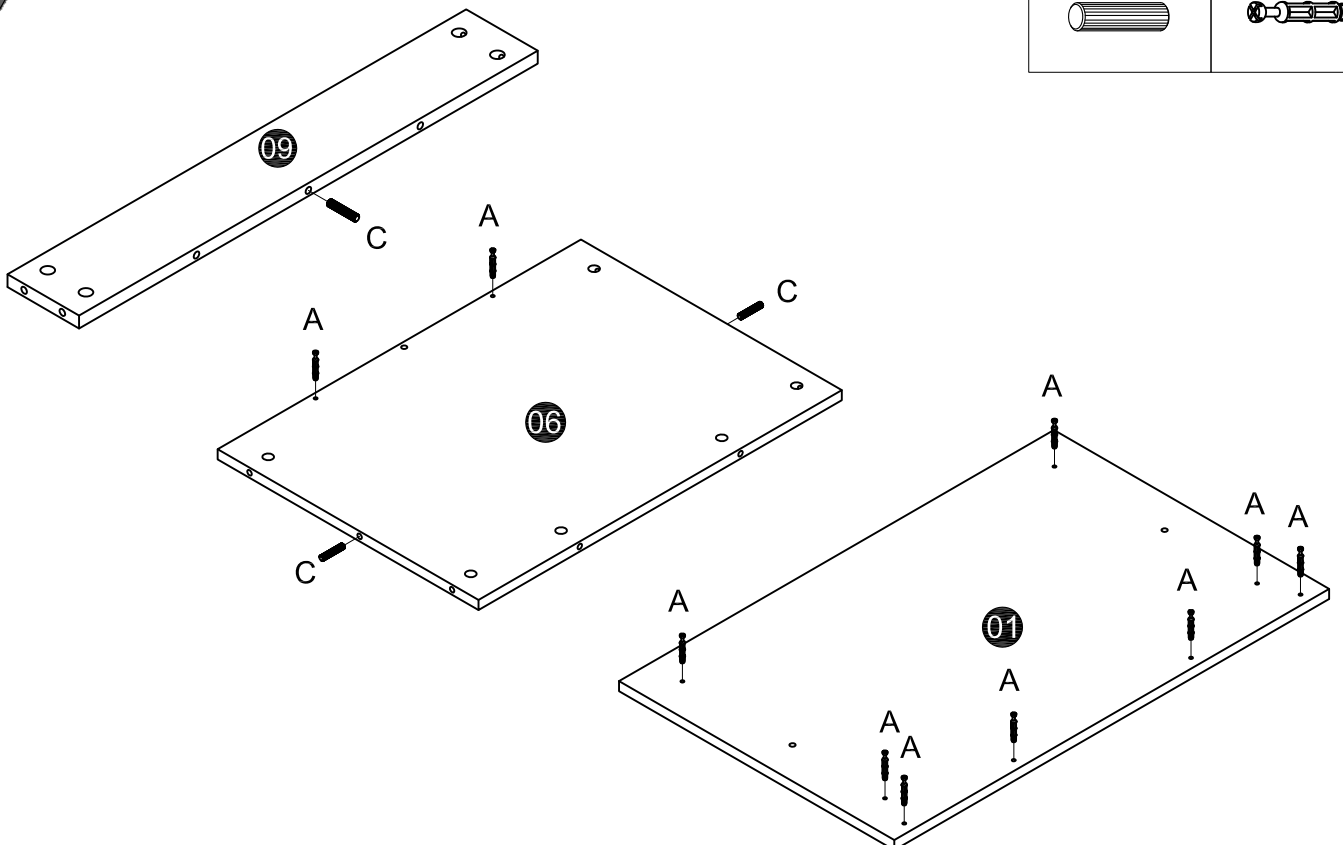
If you have damaged or missing components,
email: aftersales@gpmfurniture.co.uk



01



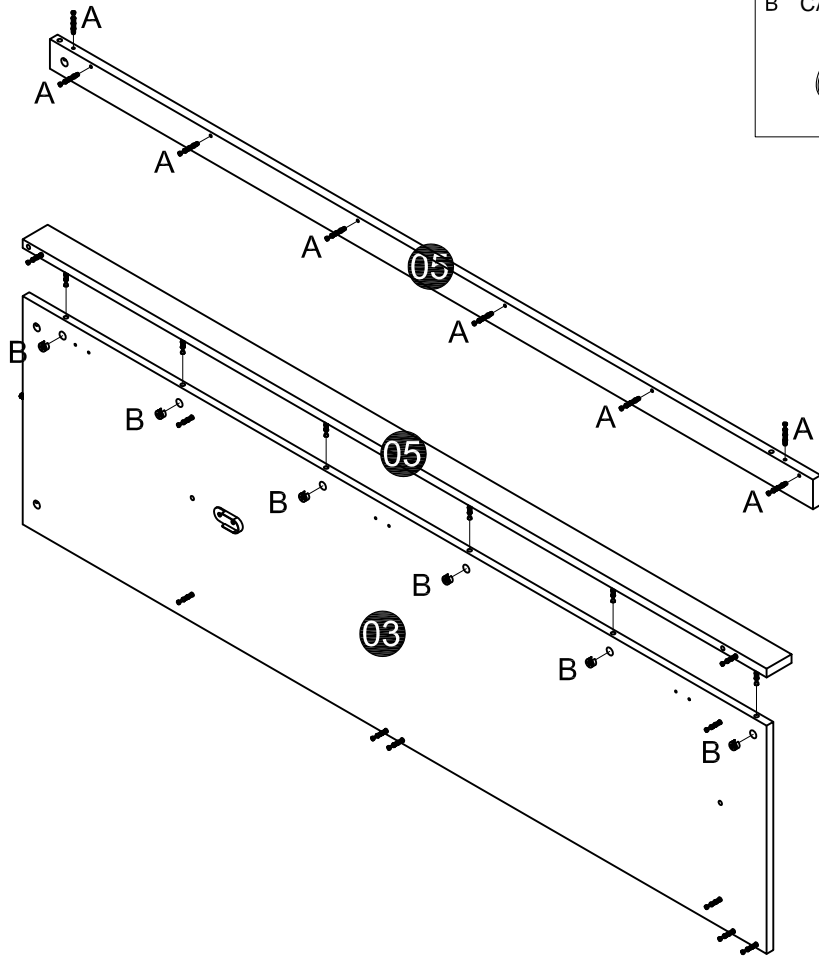
C Wood dowel x 2	A CAM lock dowel x 16	D Screw $\varnothing 3.5 \times 14$ x 4	E Hange base x 2
			



02



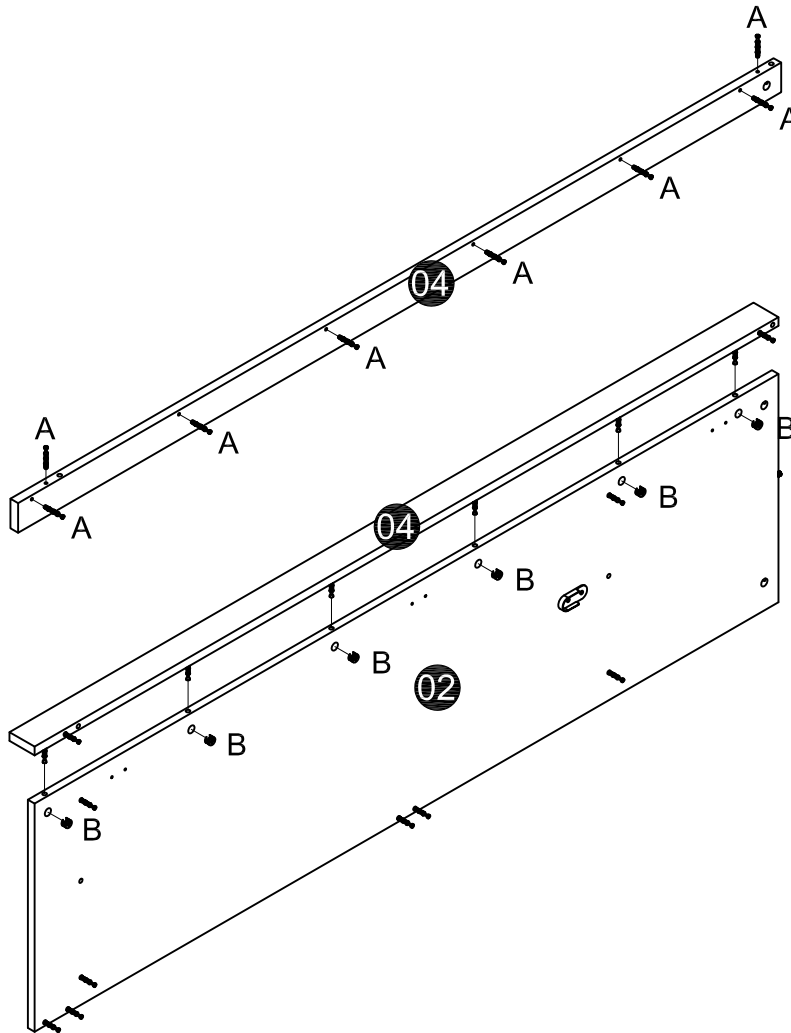
C Wood dowel x 3	A CAM lock dowel x 10
	


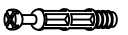
03




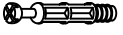
B CAM lock × 6	A CAM lock dowel × 8
	

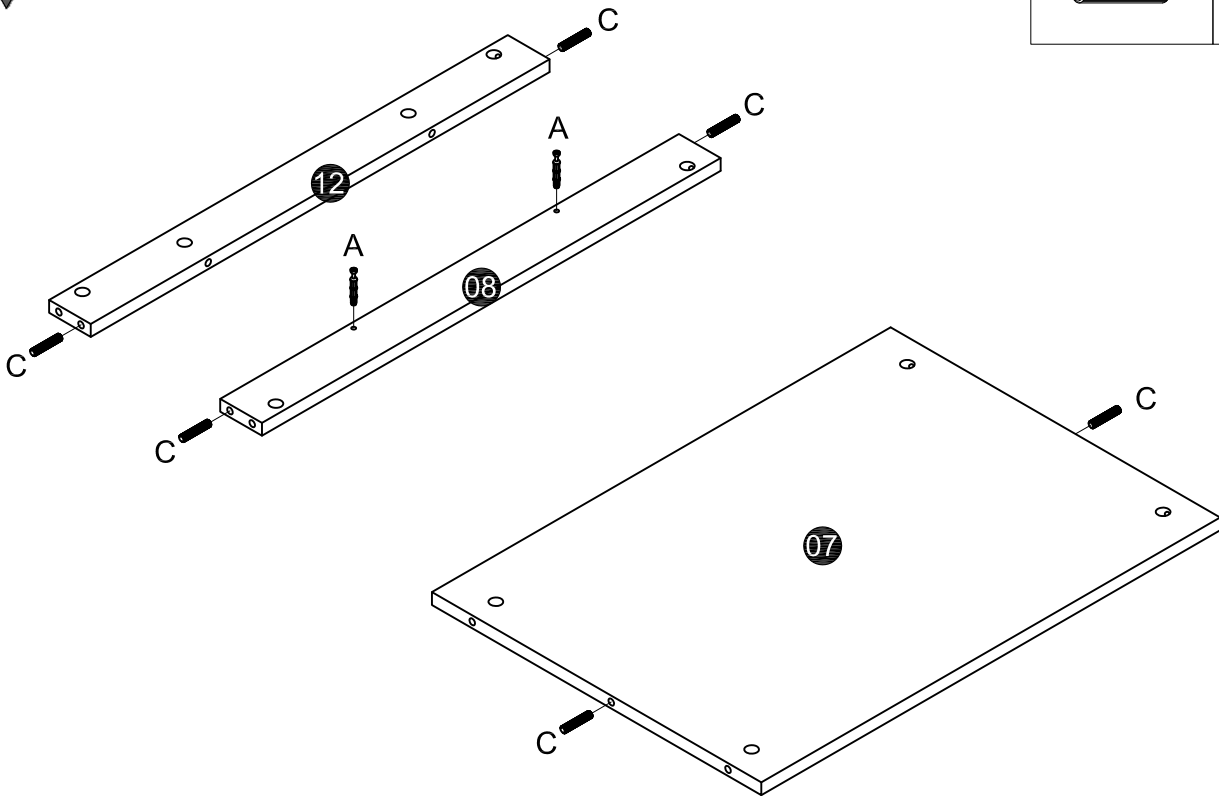
04




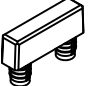
B CAM lock × 6	A CAM lock dowel × 8
	

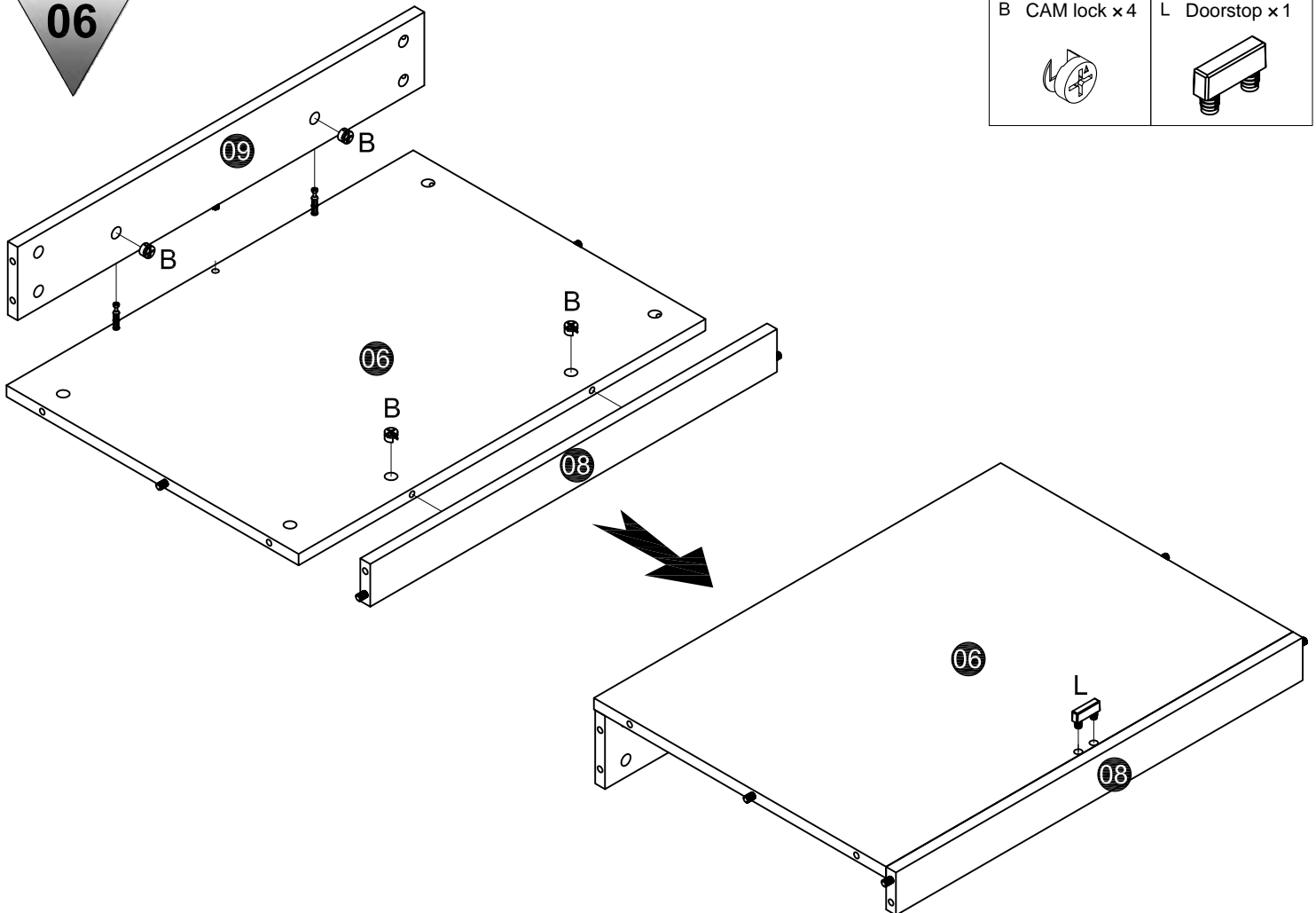
05

C Wood dowel x 6	A CAM lock x 2
	

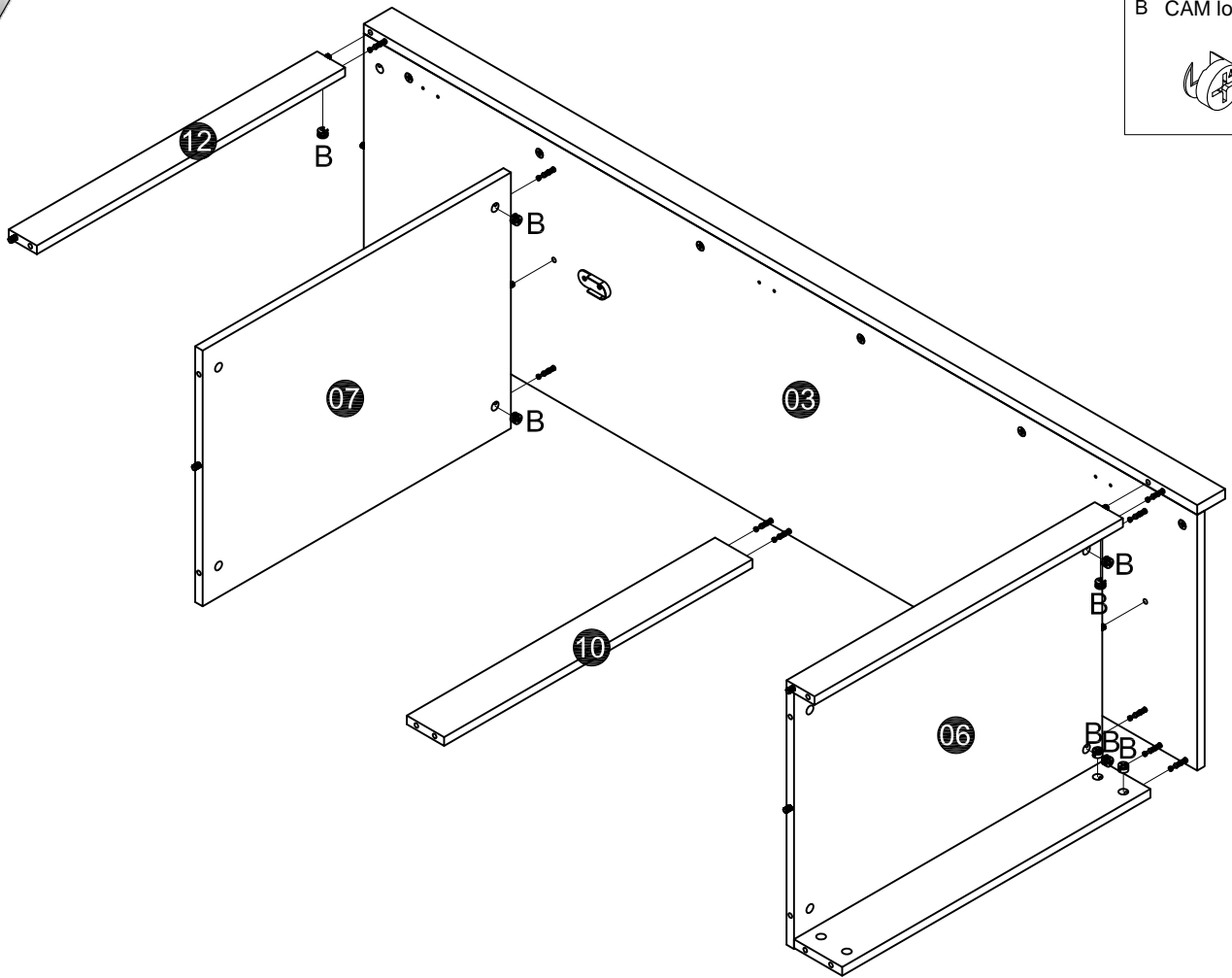


06

B CAM lock x 4	L Doorstop x 1
	



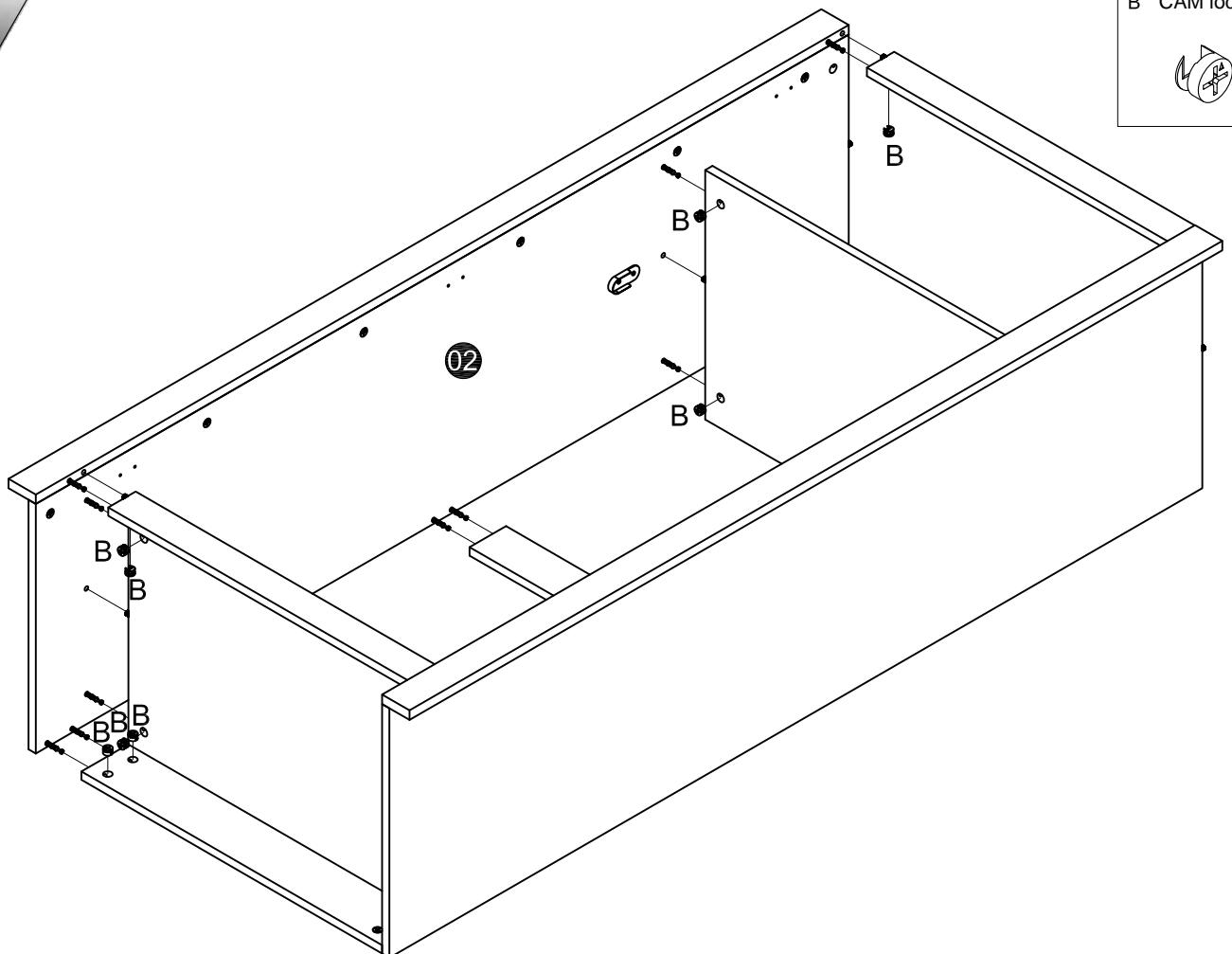
07



B CAM lock x 8



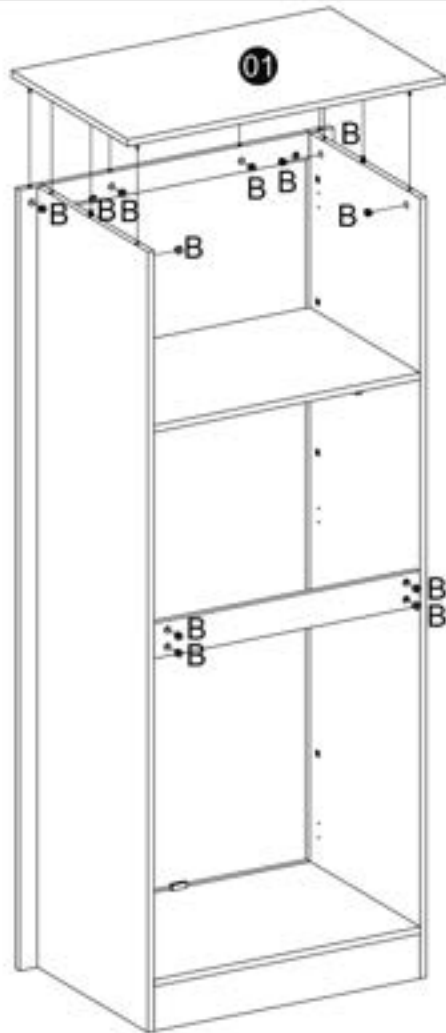
08



B CAM lock x 8



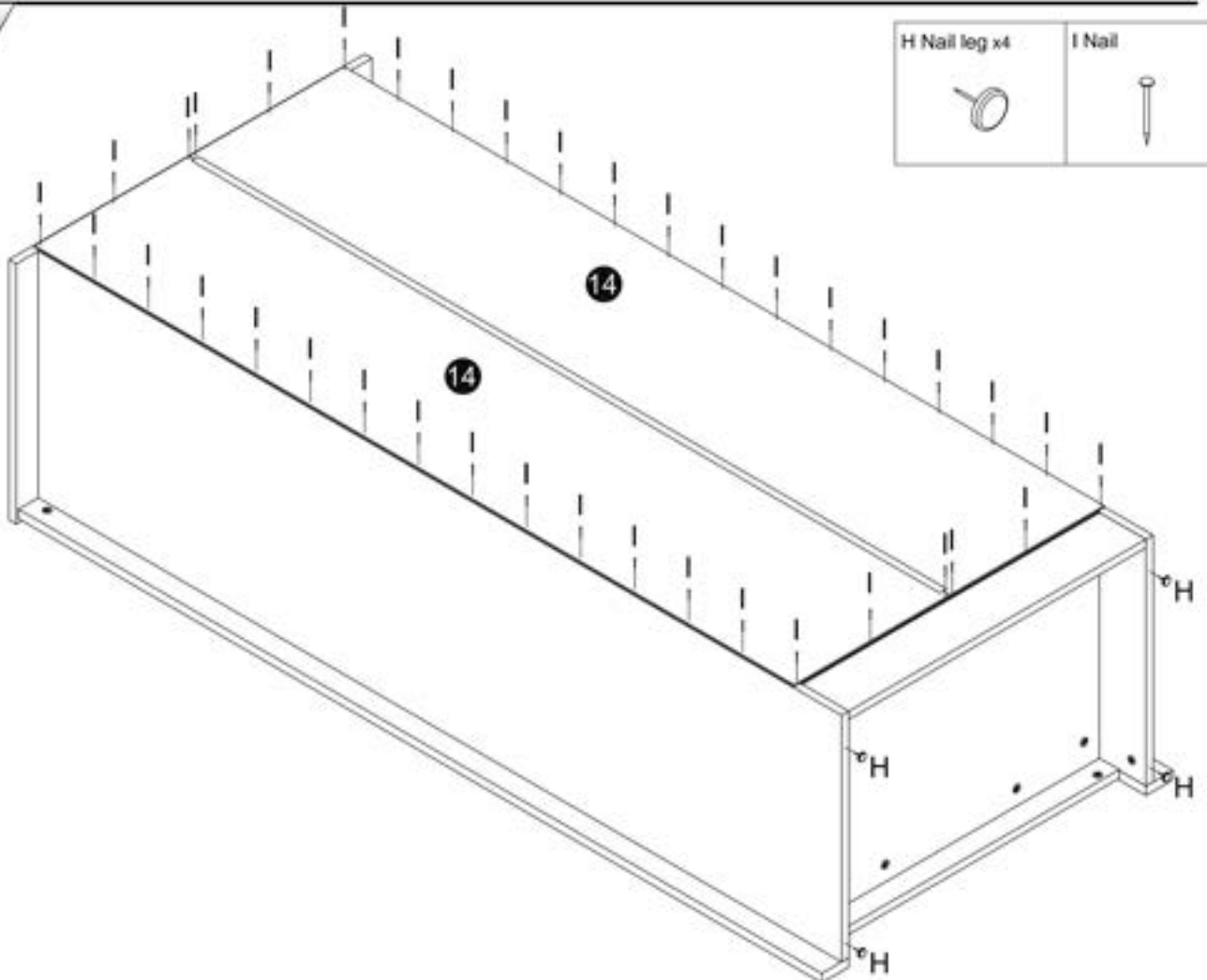
09



B CAM lock x12



10



H Nail leg x4

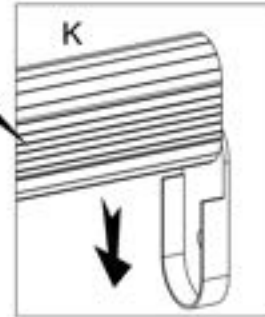


I Nail



11

K Hanger rod x1



12

J Hinges x6



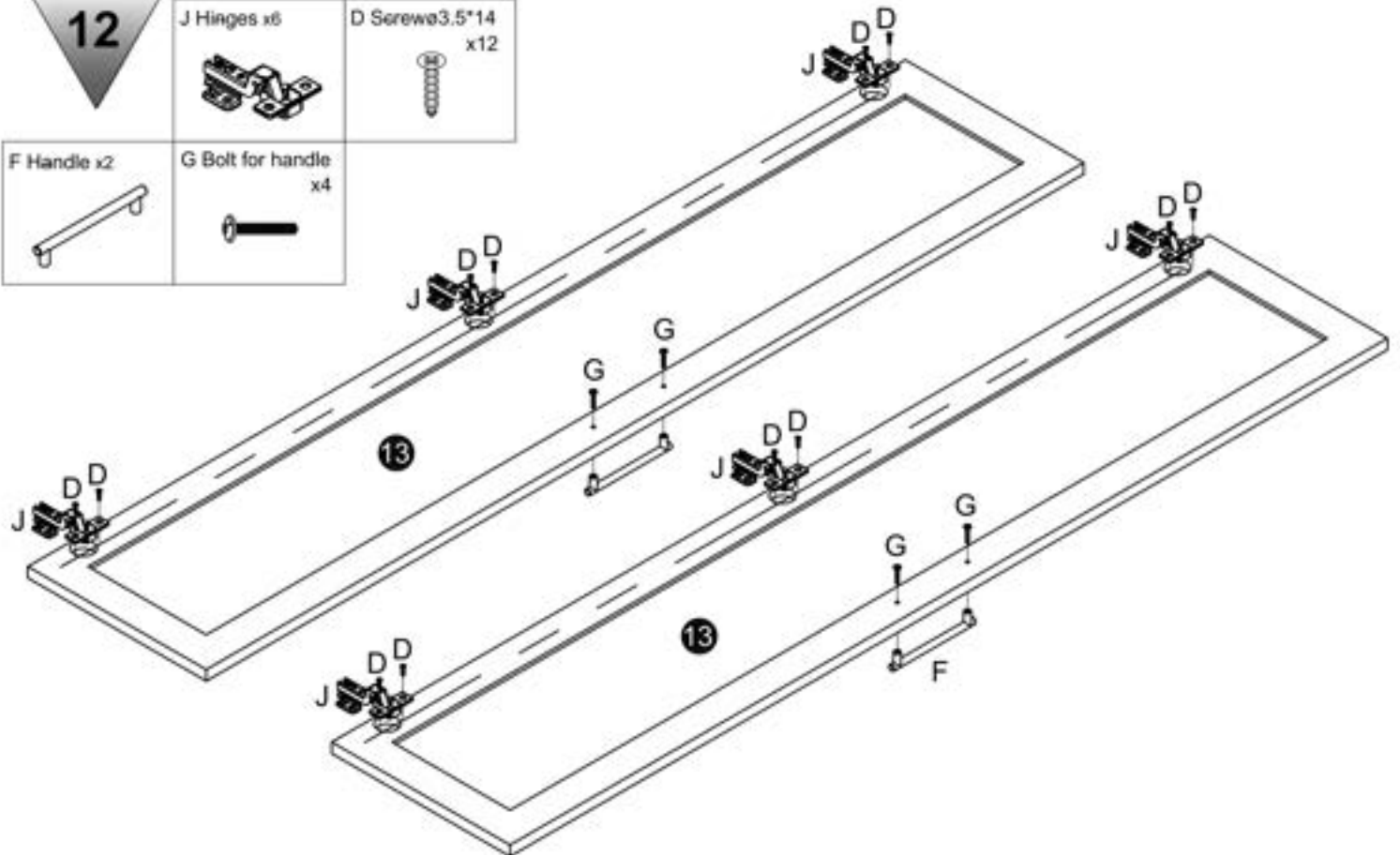
D Screw $\varnothing 3.5 \times 14$
x12



F Handle x2

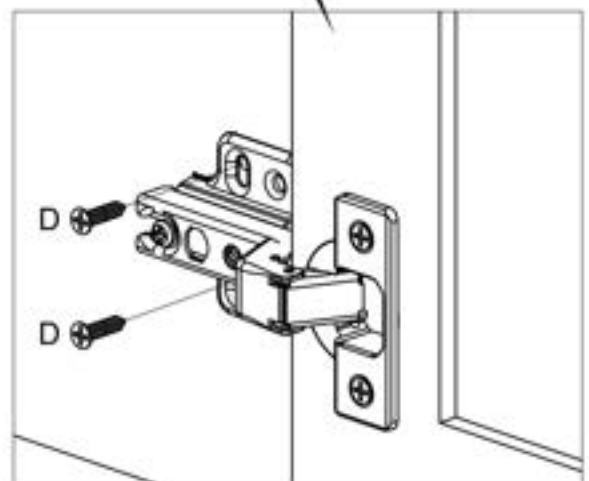


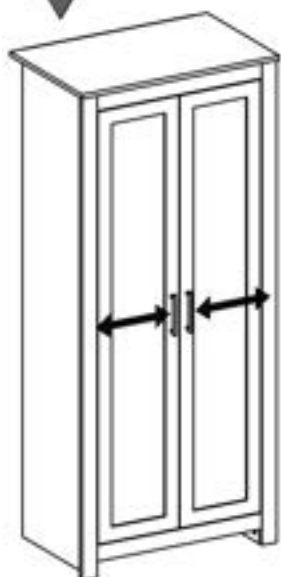
G Bolt for handle
x4



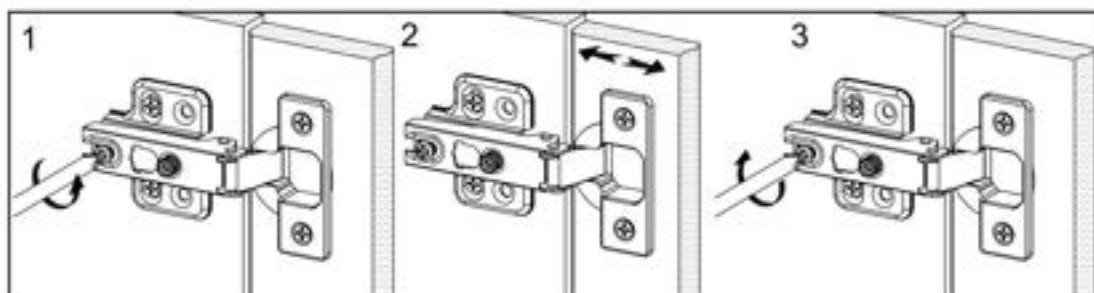
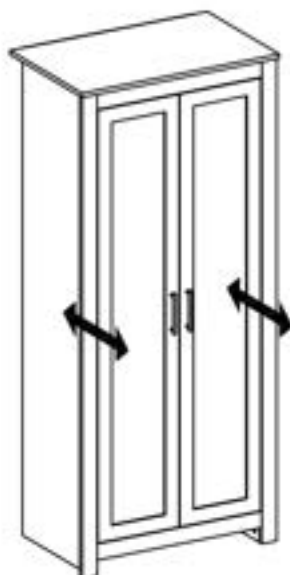
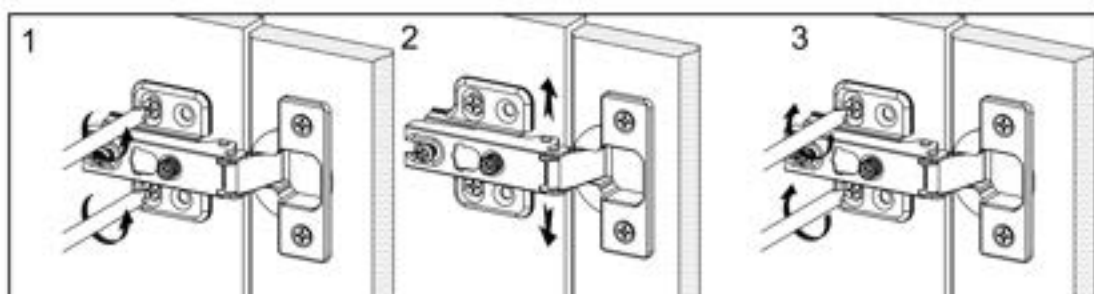
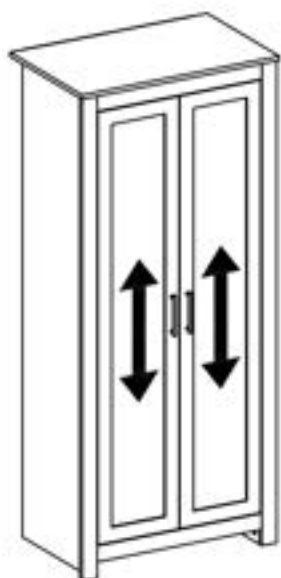
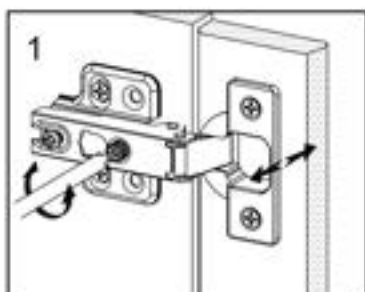


Please do not tighten
the screws!

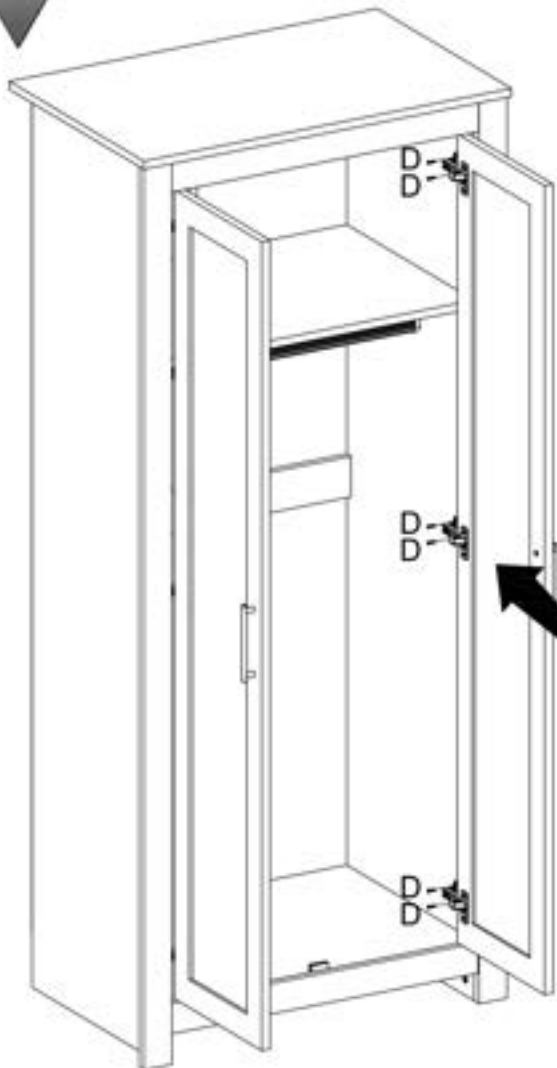




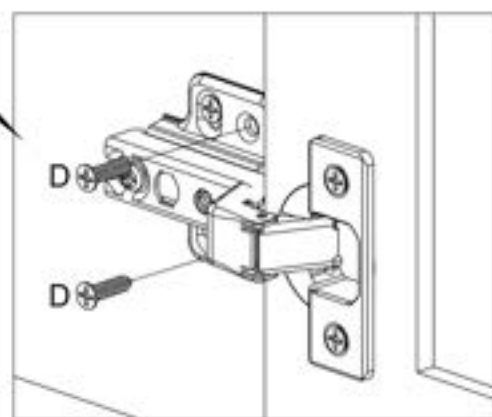
Adjusting the doors (Adjusting the hinges)



15



Before screwing the "D" screws make sure your doors are well adjusted.



16

