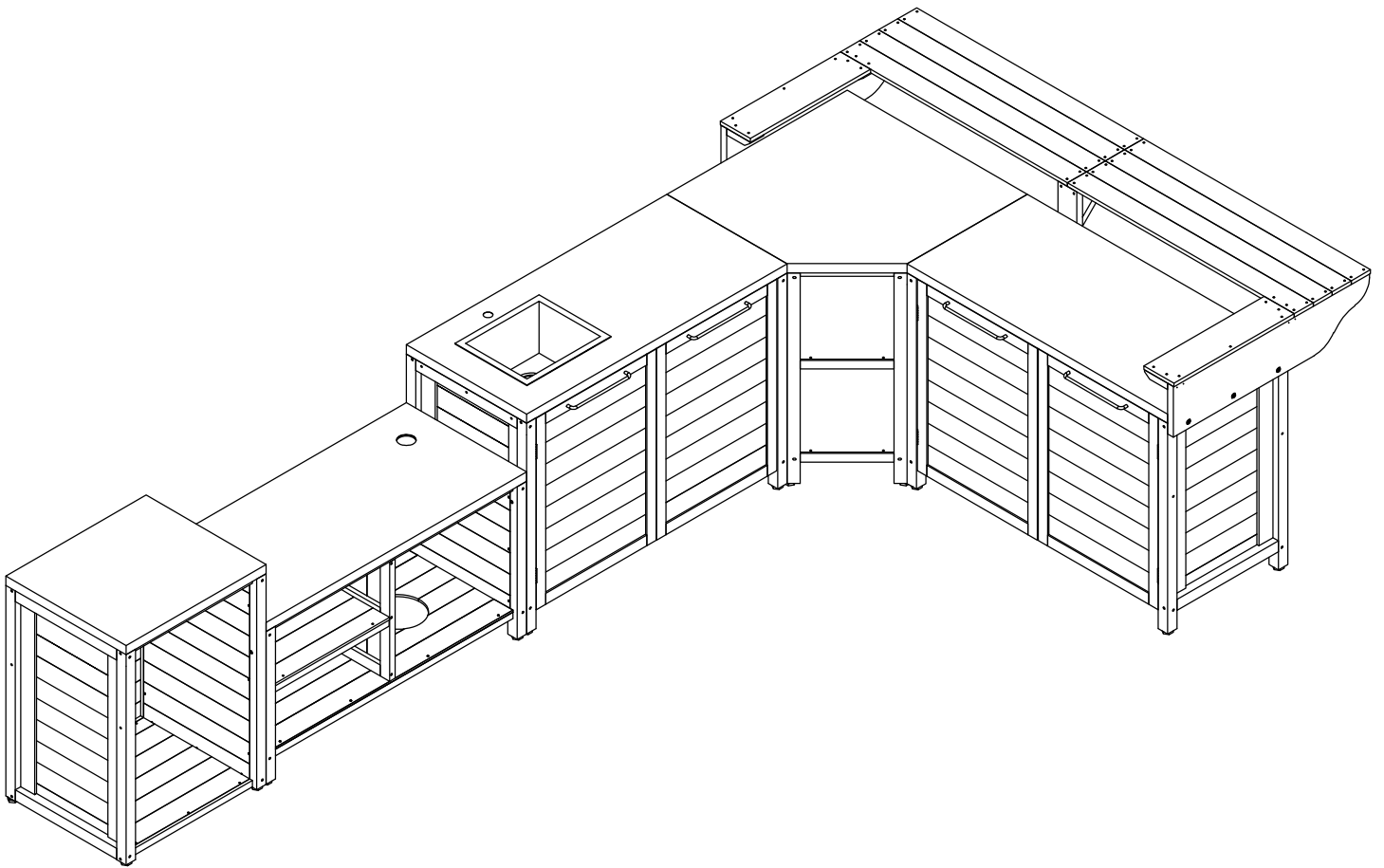


INSTALLATION

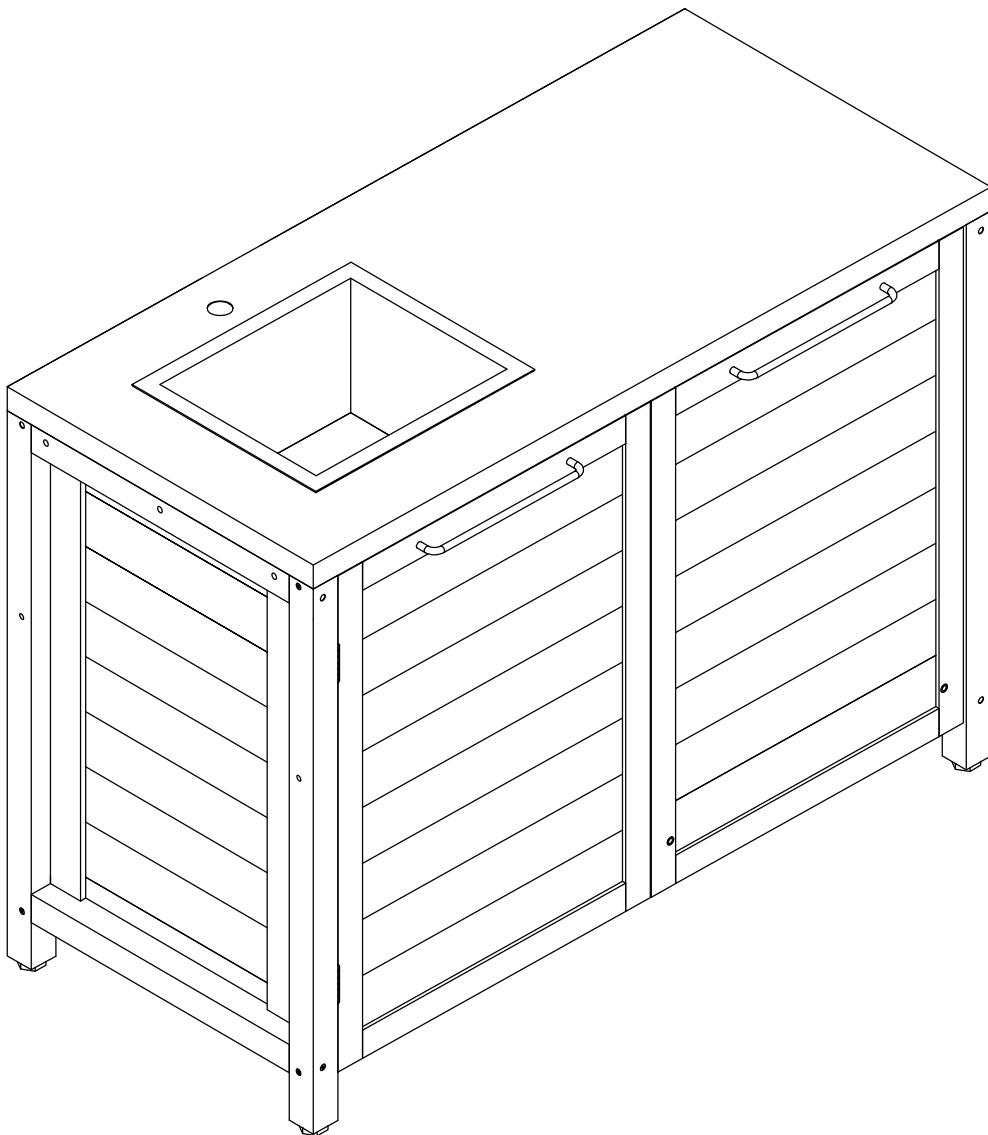
Product Manual

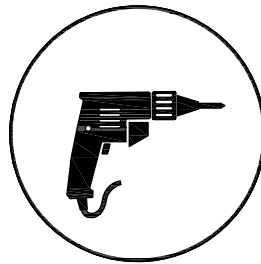
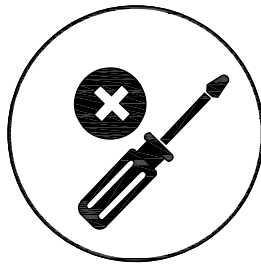
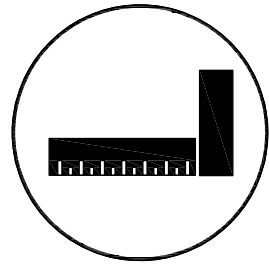
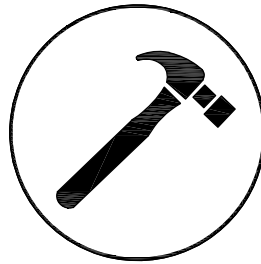
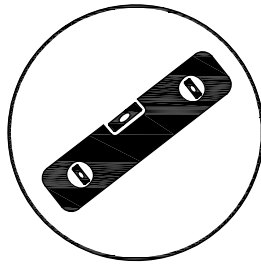
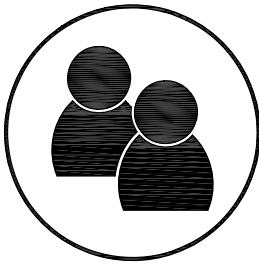
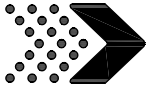
Version: 510040US-00-26A

Installation Instructions

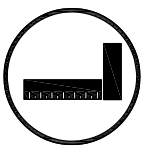


Installation Instructions

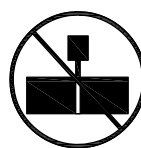




Icons and their uses you will see throughout this manual



You will need to make sure that your assembly is square before tightening your bolts.



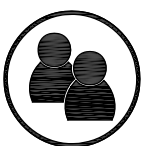
This icon warns you to not over tighten your bolts. This is to prevent structural damage and also splintering your wood.



For proper assembly you will need to ensure that your structure is level before proceeding to the next step.



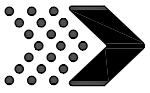
This icon will show you what drill attachments are needed. For this example you will need a Phillips head attachment .



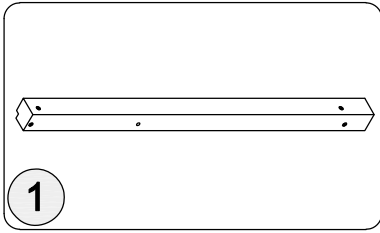
Some steps in the assembly process will require an extra set of hands. Make sure you have a helper available.



This size of the open-end wrench on these icons should correspond to the size of the nut.

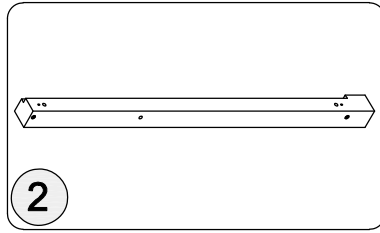


Wood Components (Not to Scale)



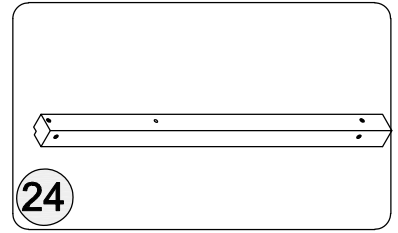
1

Left front pillar
Qty: 1



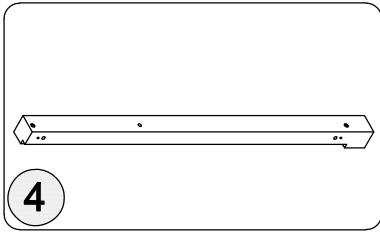
2

Left rear pillar
Qty: 1



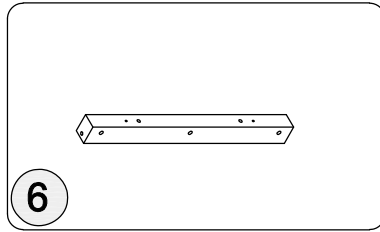
24

Right front pillar
Qty: 1



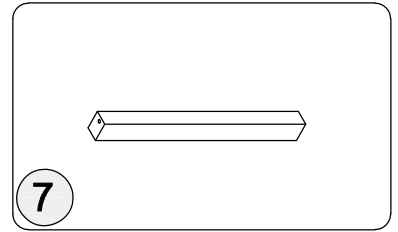
4

Right rear pillar
Qty: 1



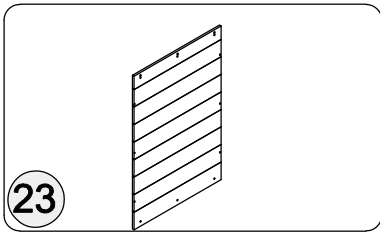
6

Left and right upper strips
Qty: 2



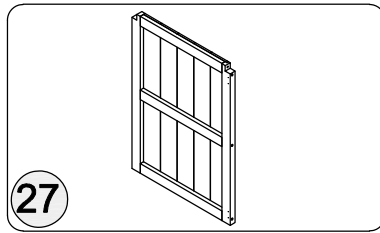
7

Left and right lower bars
Qty: 2



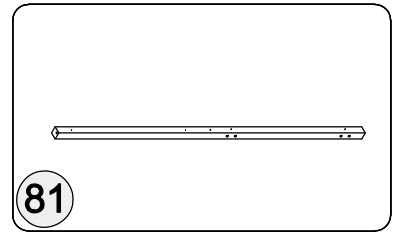
23

Left and right core boards
Qty: 2



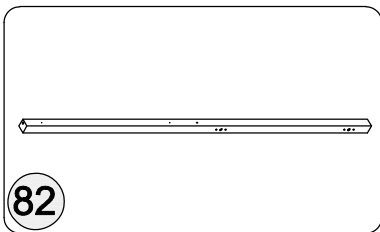
27

Middle side panel
Qty: 1



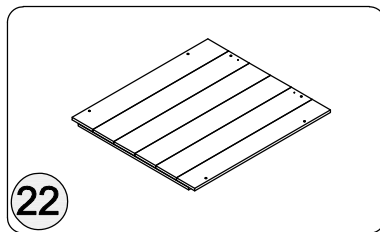
81

Front bottom flat noodles
Qty: 1



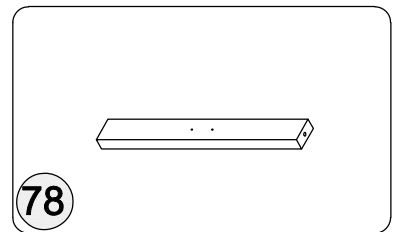
82

Rear bottom Flat noodles
Qty: 1



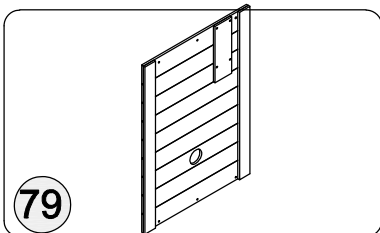
22

Left bottom plate
Qty: 1



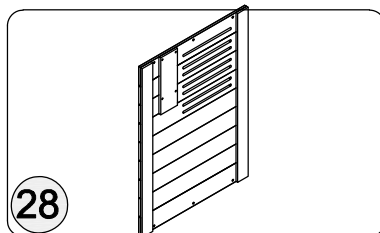
78

Guide rail pad strip
Qty: 2



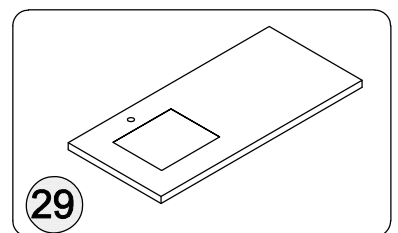
79

Left backplane
Qty: 1



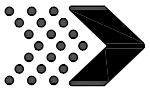
28

Right Backplane
Qty: 1

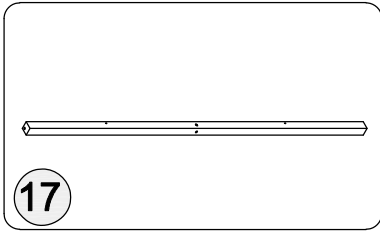


29

panel
Qty: 1

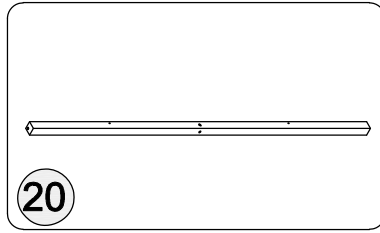


Wood Components (Not to Scale)



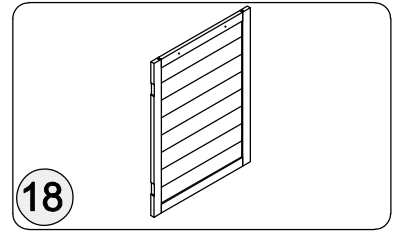
17

Front pull strips
Qty: 1



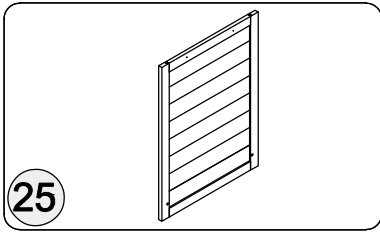
20

Rear pull strips
Qty: 1



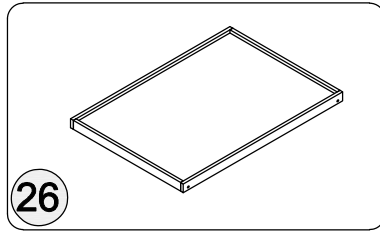
18

left door panel
Qty: 1



25

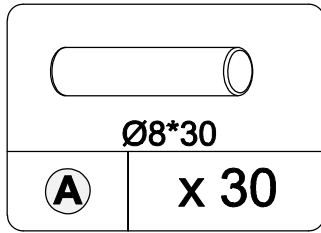
Right door panel
Qty: 1



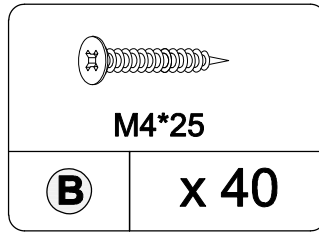
26

Pull the bottom plate
Qty: 1

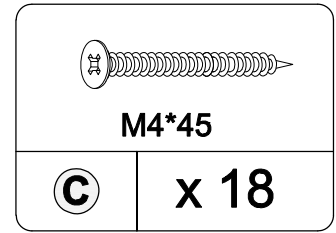
Hardware Components



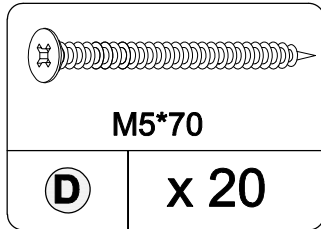
Wooden tenons



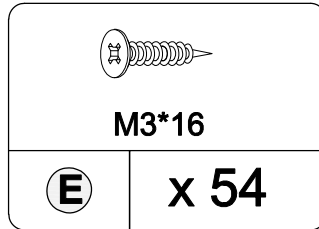
Screw



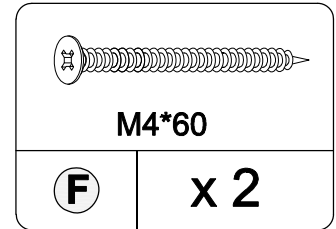
Screw



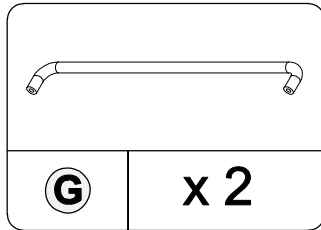
Screw



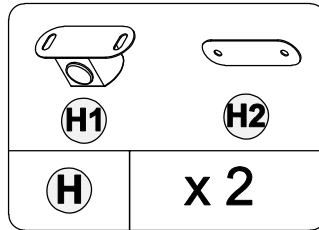
Screw



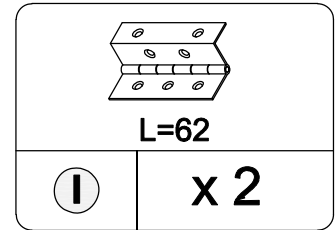
Screw



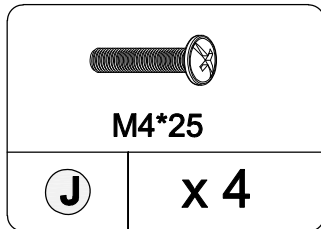
door handle



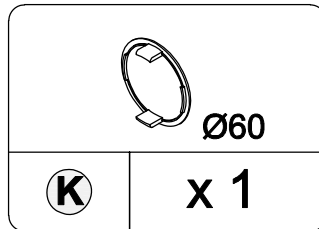
Door stopper



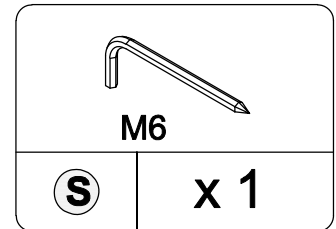
Hinge



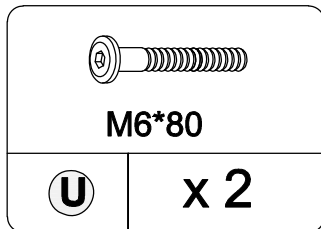
Screw



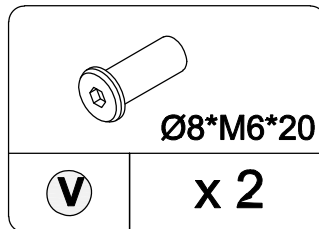
Outlet box



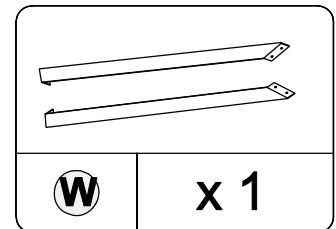
screwdriver



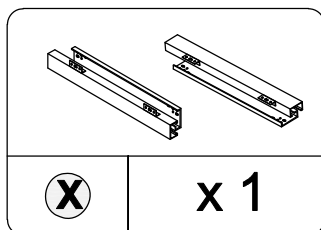
screws



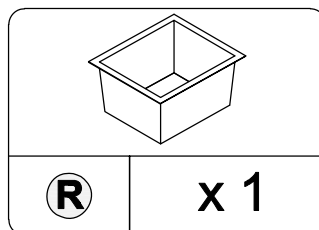
nut



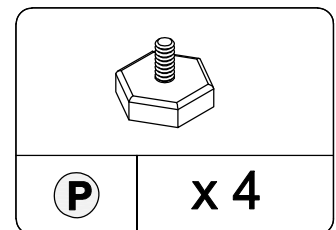
support bar



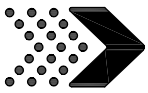
guide rail



Stainless steel basin

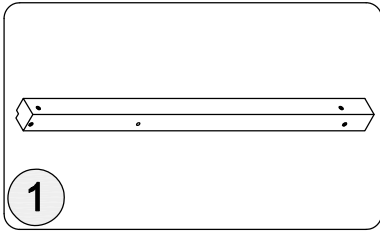


Adjusting Wheel



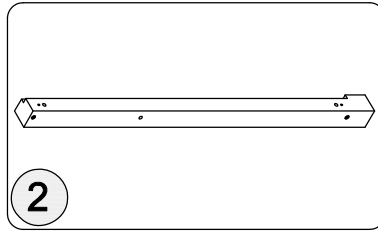
Installation of left pull strip

Step 1



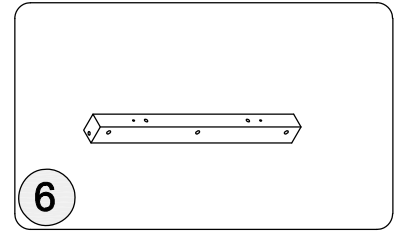
1

Left front pillar
Qty: 1



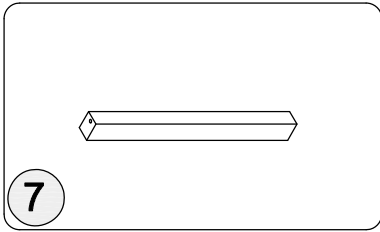
2

Left rear pillar
Qty: 1



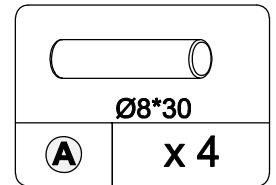
6

Left and right upper strips
Qty: 1



7

Left and right lower bars
Qty: 1

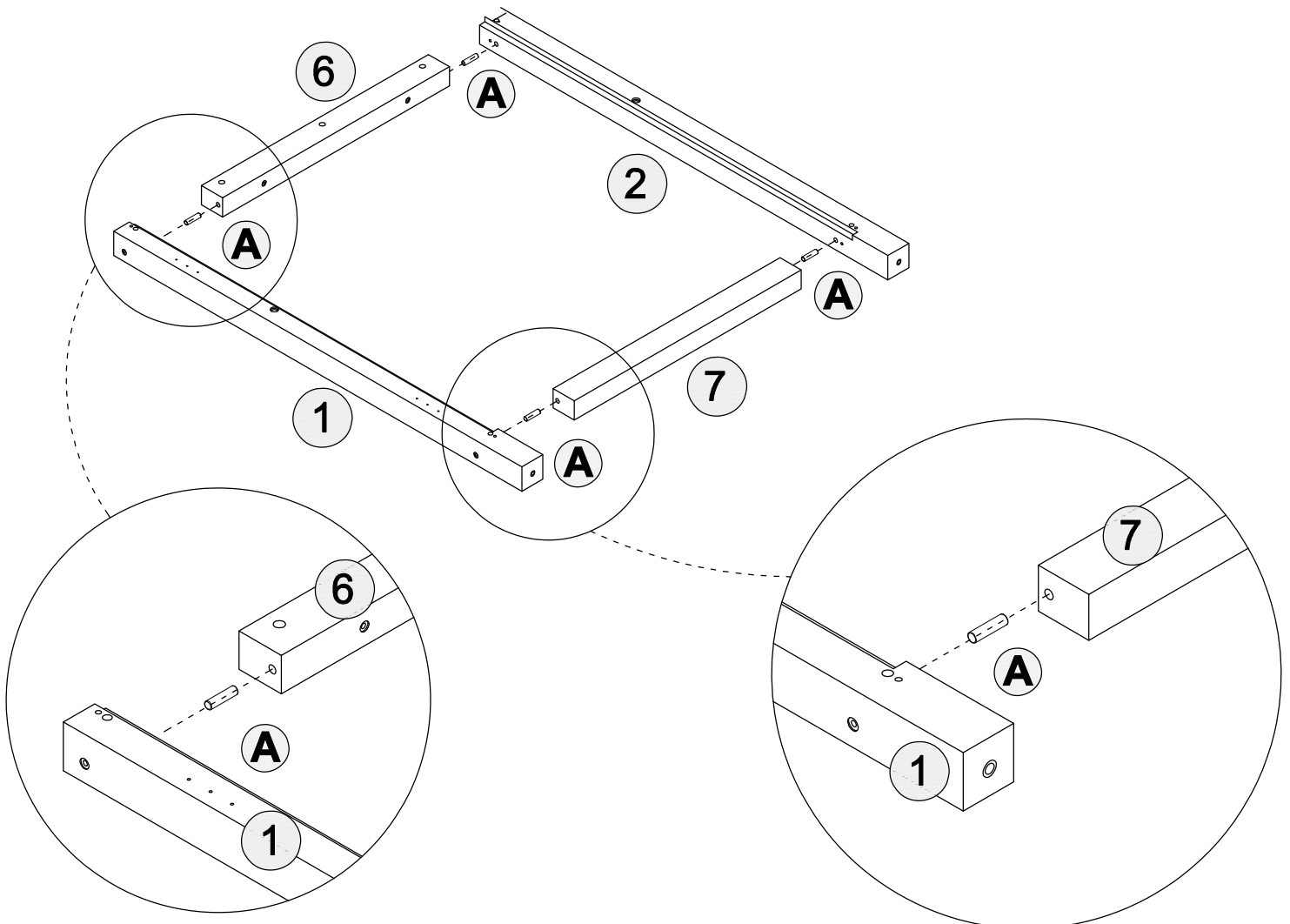


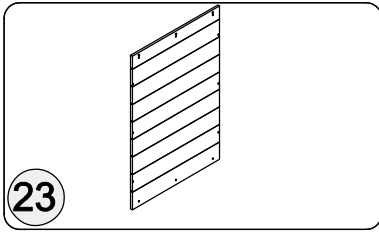
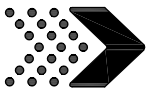
Ø8*30

A

x 4

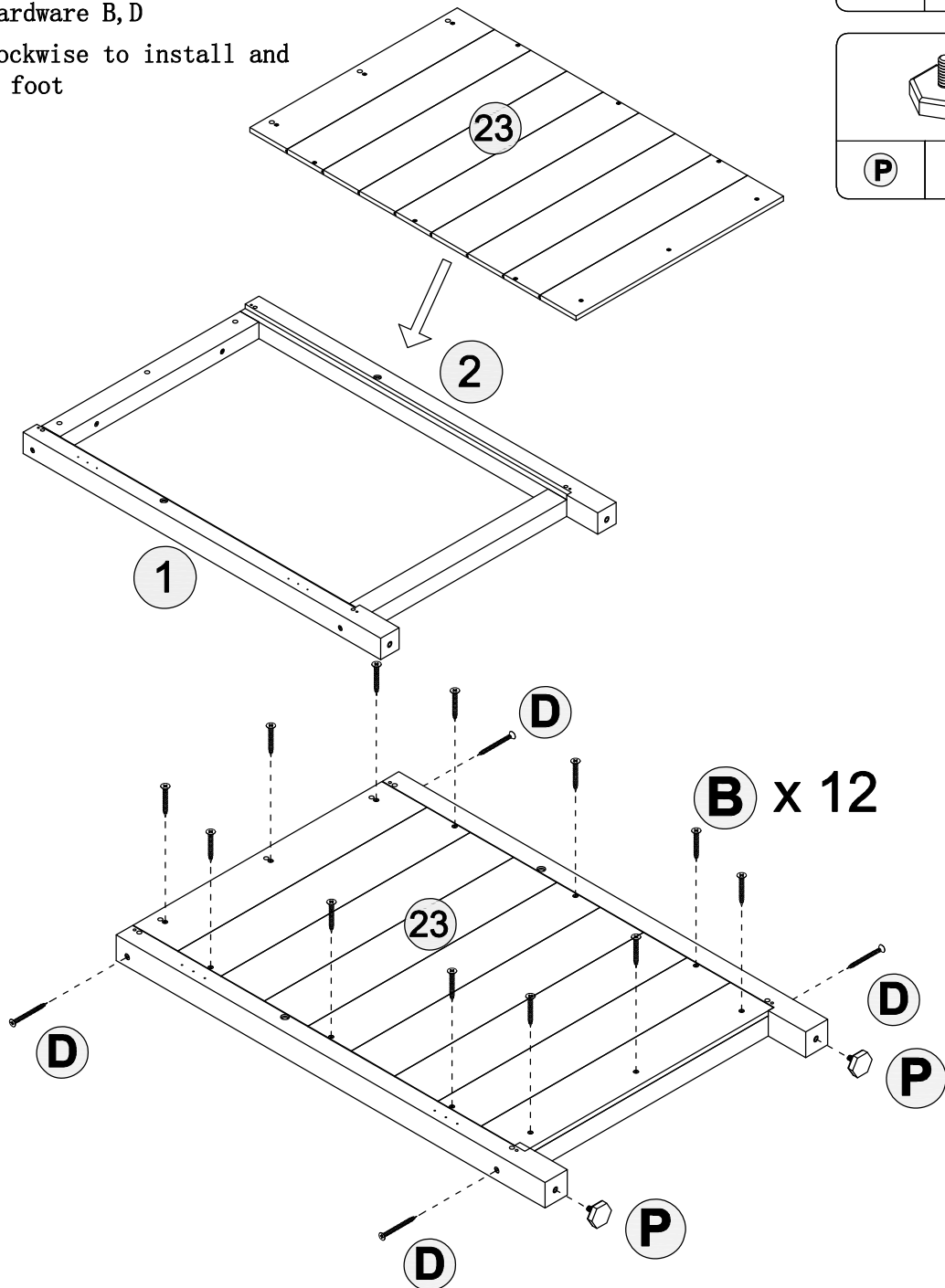
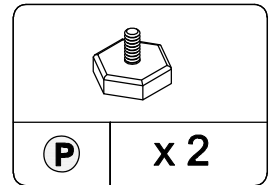
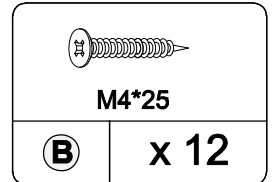
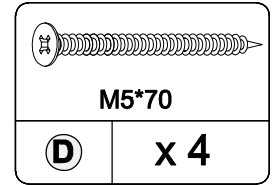
1. Connect the components with hardware A, ensuring the correct hole positions

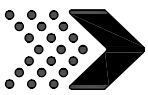




Left and right core boards
Qty: 1

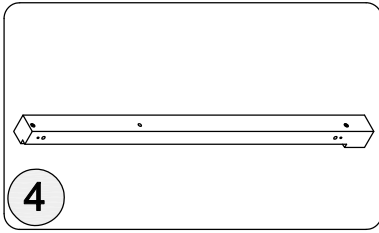
1. Insert part 23, ensuring it is level both vertically and horizontally
2. Install hardware B,D
3. Rotate clockwise to install and adjust the foot



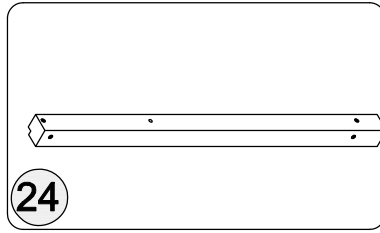


Installation of the right pull strip

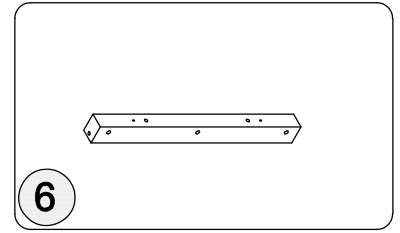
Step 3



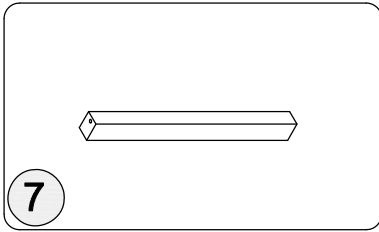
Right rear pillar
Qty: 1



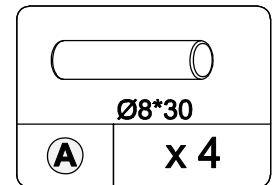
Right front pillar
Qty: 1



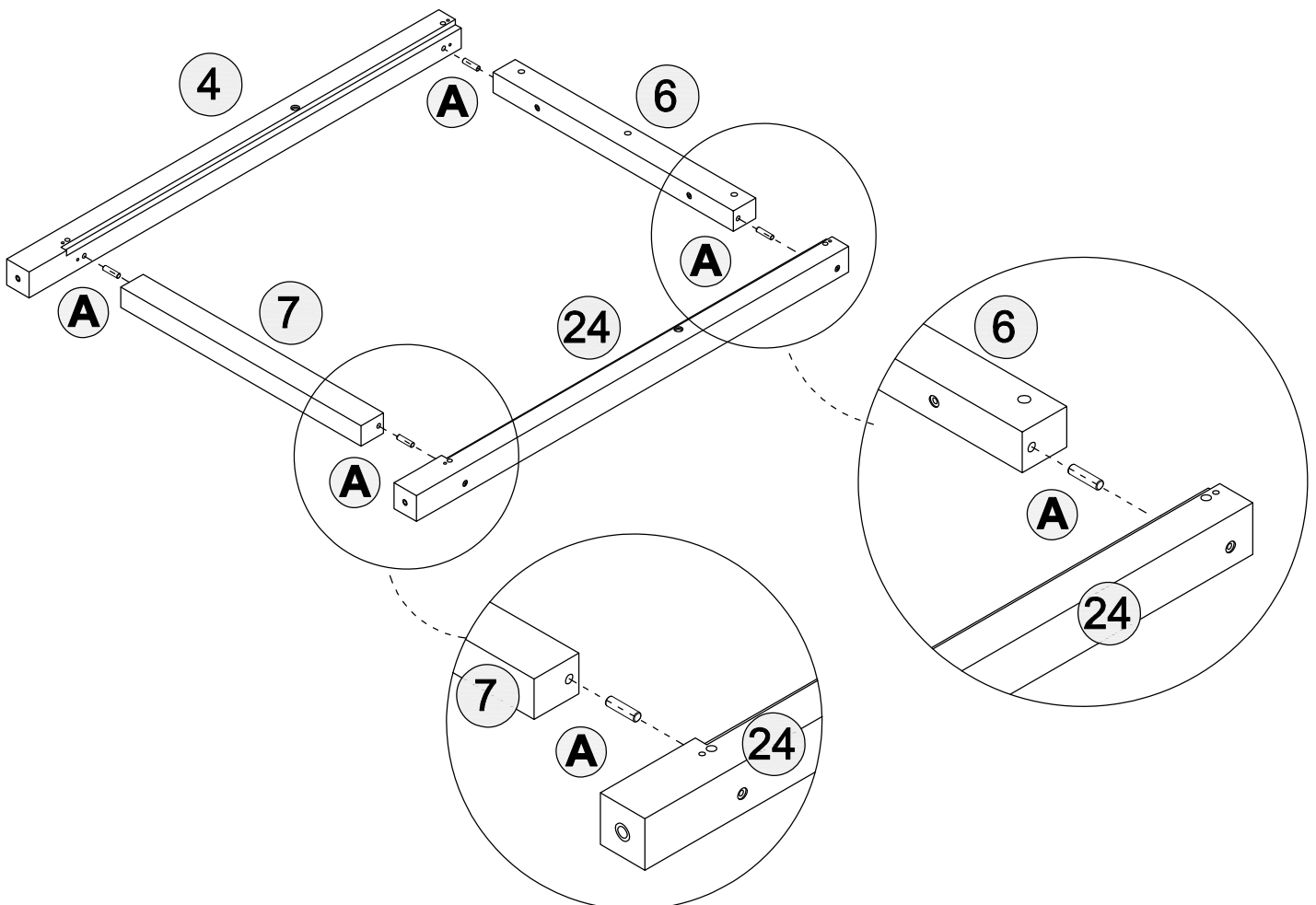
Left and right upper strips
Qty: 1

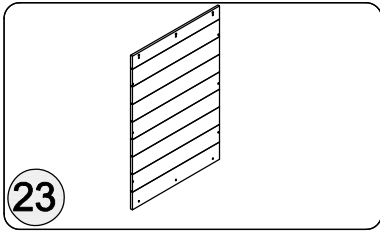
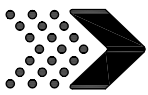


Left and right lower bars
Qty: 1



1. Connect the components with hardware A, ensuring the correct hole positions

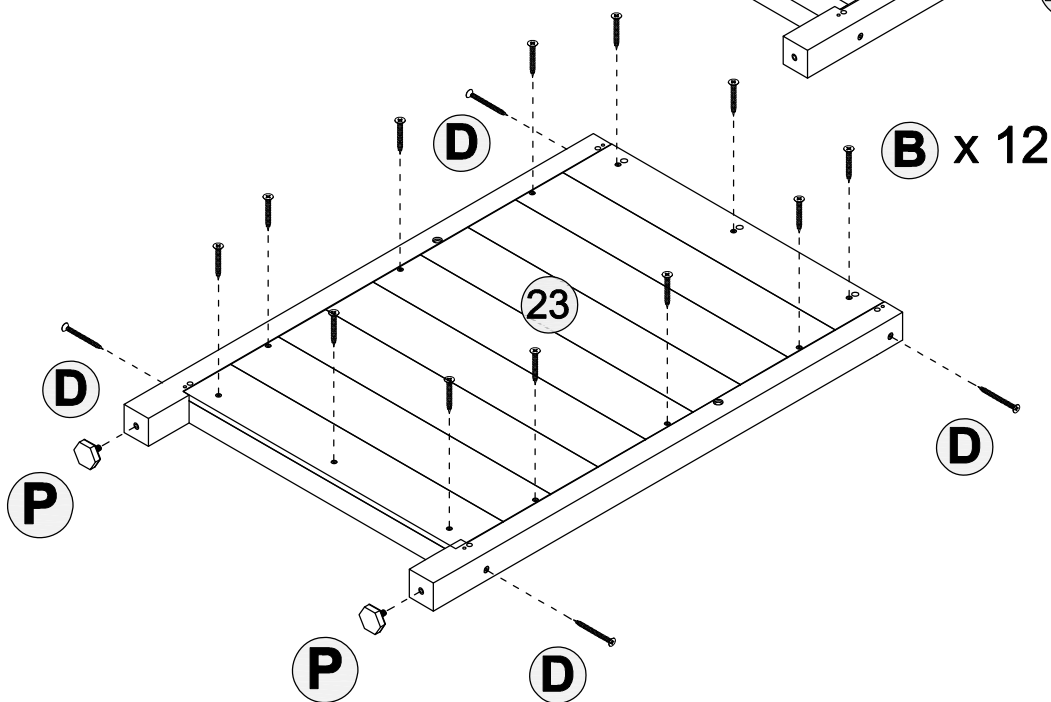
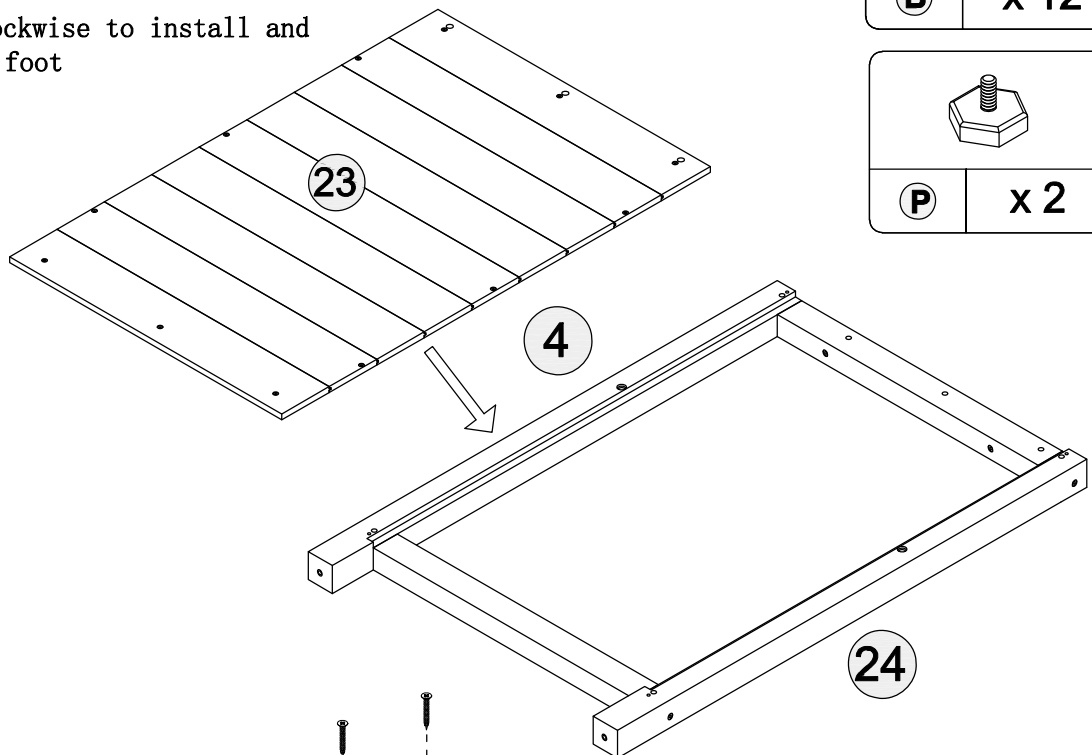
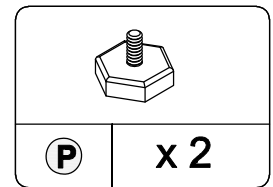
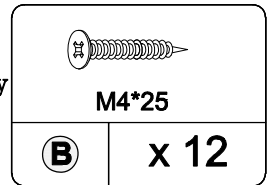
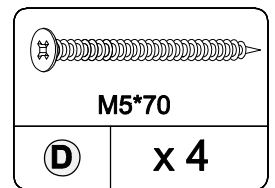


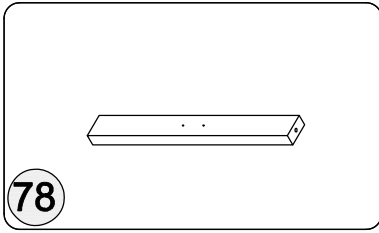
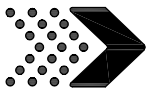


Left and right core boards

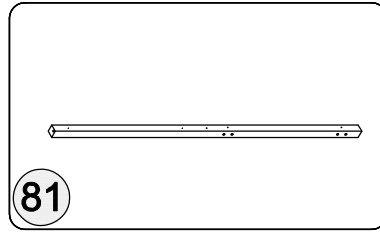
Qty: 1

1. Insert part 23, ensuring it is level both vertically and horizontally
2. Install hardware B,D
3. Rotate clockwise to install and adjust the foot

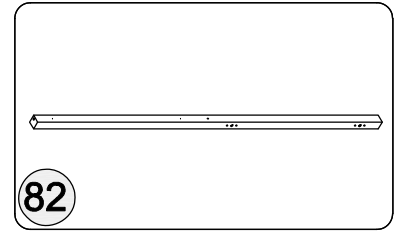




78
Guide rail pad strip
Qty: 2

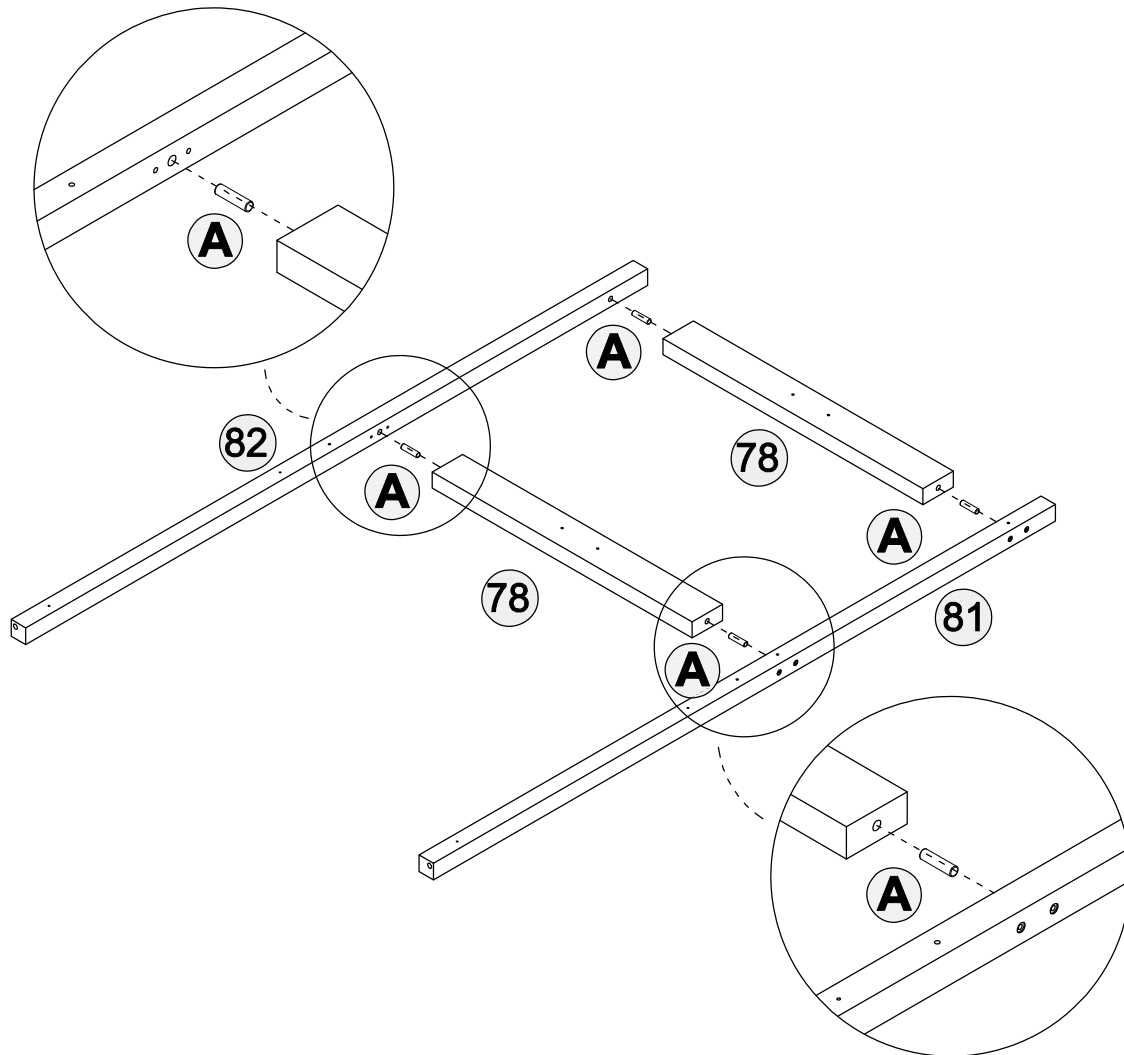
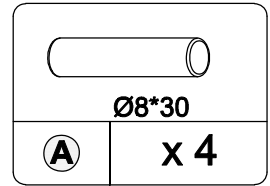


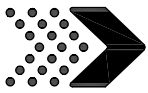
81
Front bottom flat noodles
Qty: 1




82
Rear bottom Flat noodles
Qty: 1

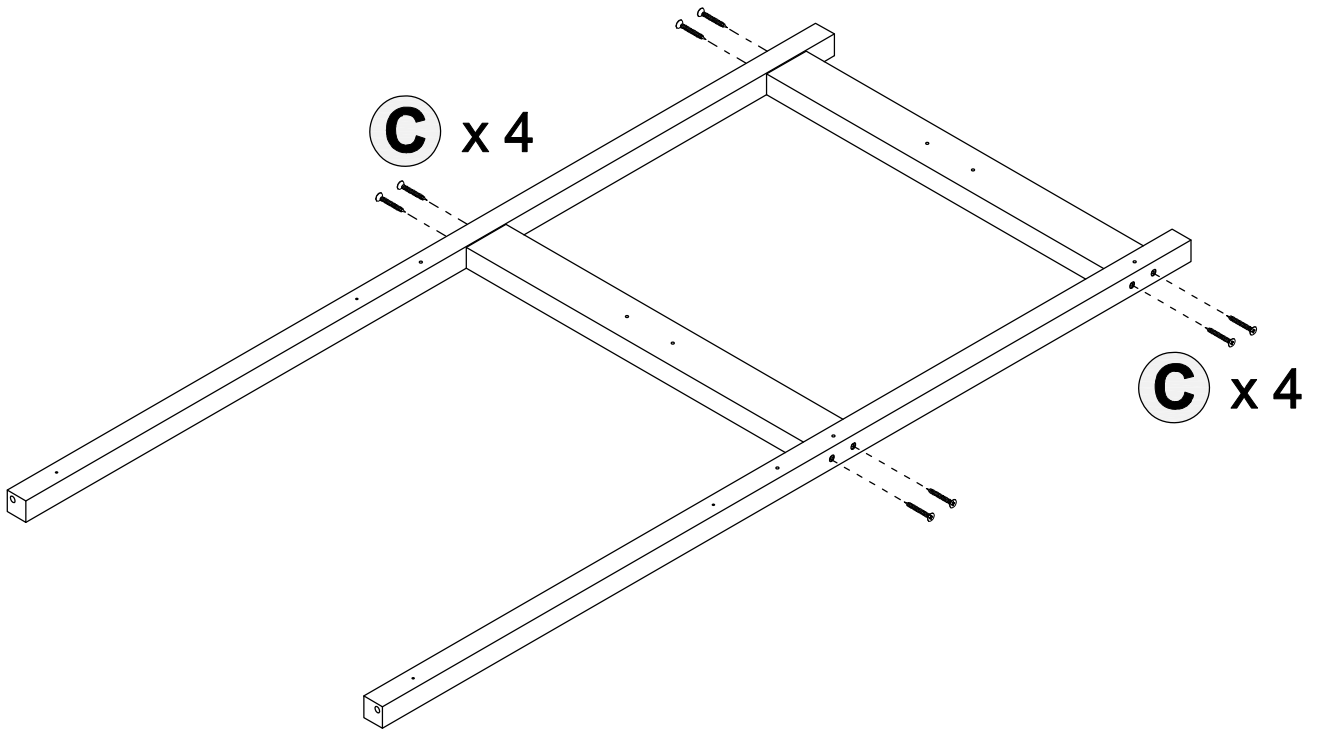
1. Use hardware A to connect component 78 to components 81 and 82 respectively

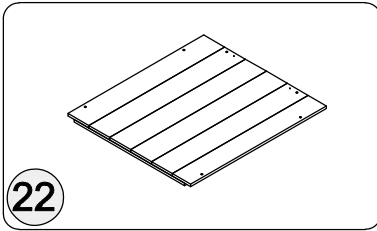
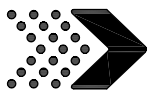




	
M4*45	
C	x 8

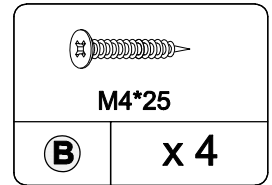
1. After leveling, install with hardware C



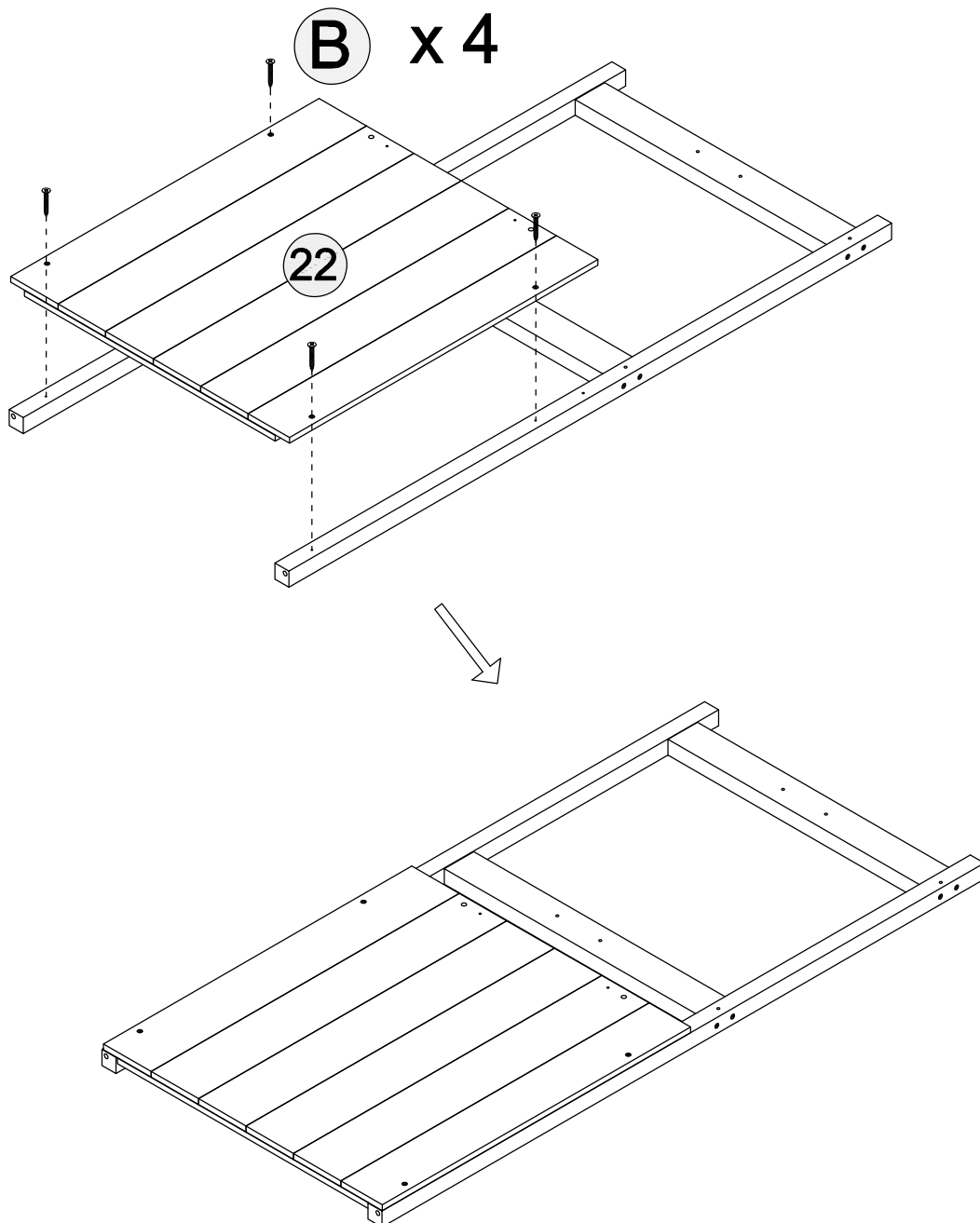


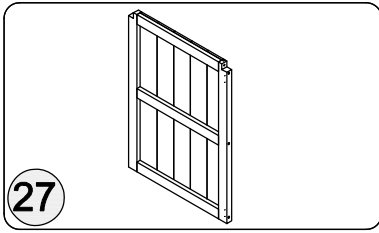
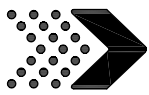
Left bottom plate

Qty: 1



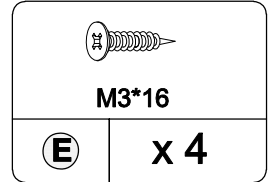
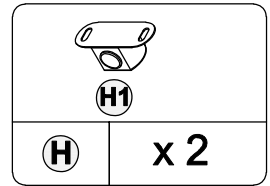
1. Install hardware B towards the guide hole



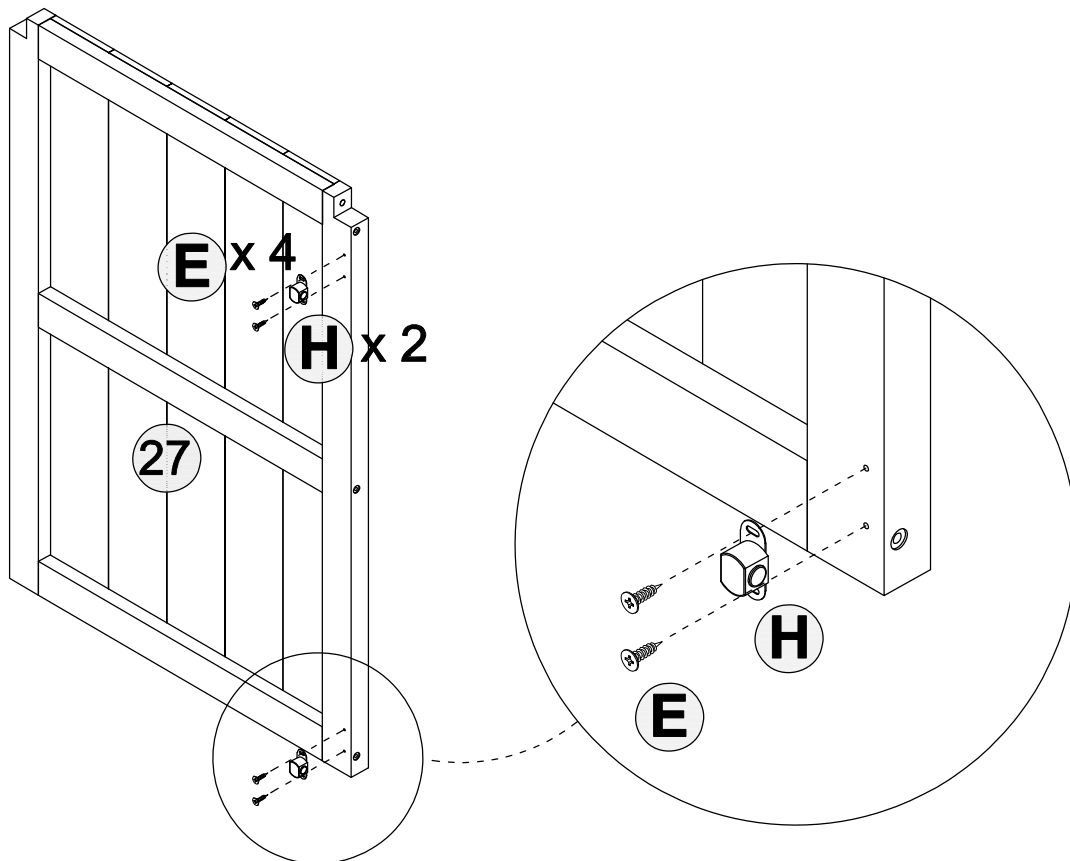


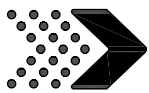
Middle side panel

Qty: 1

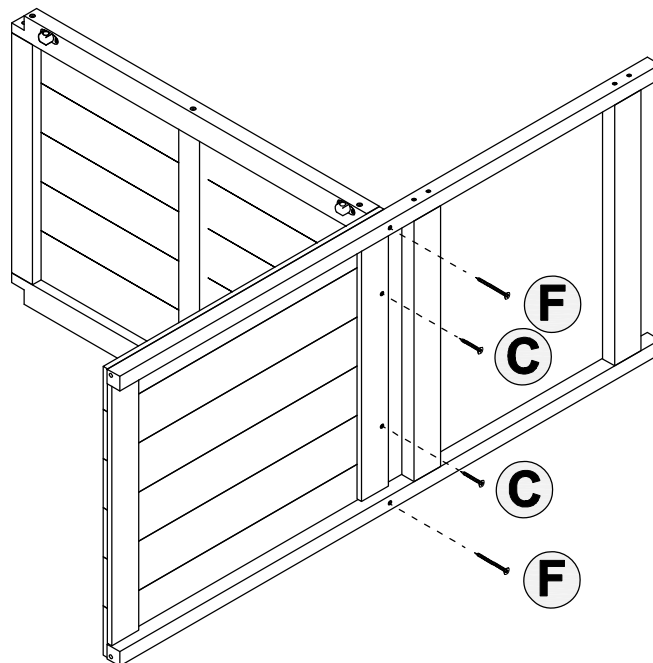
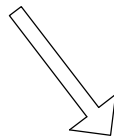
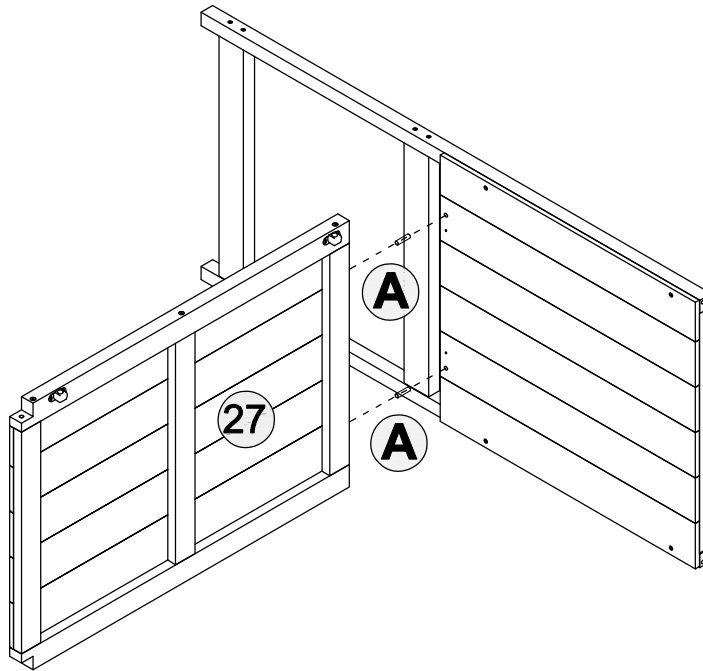
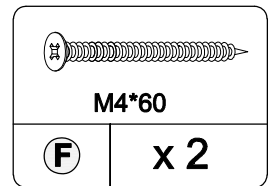
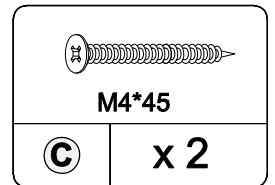
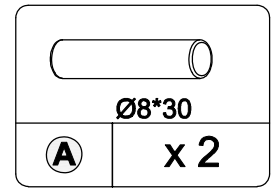


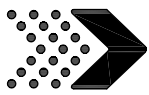
1. Use hardware E to pass through hardware H and install it towards the lead hole





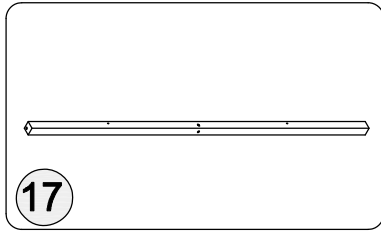
1. Connect the components with hardware A, Pay attention to the position of the components
2. Pay attention to the positions of hardware C and F, and install them separately



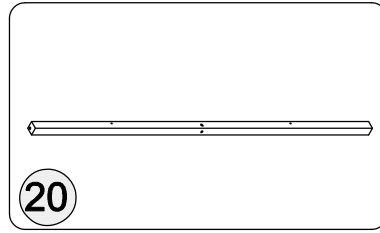


Installation of pull-up strip

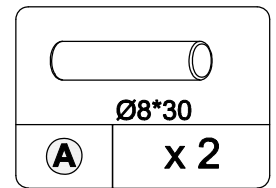
Step 10



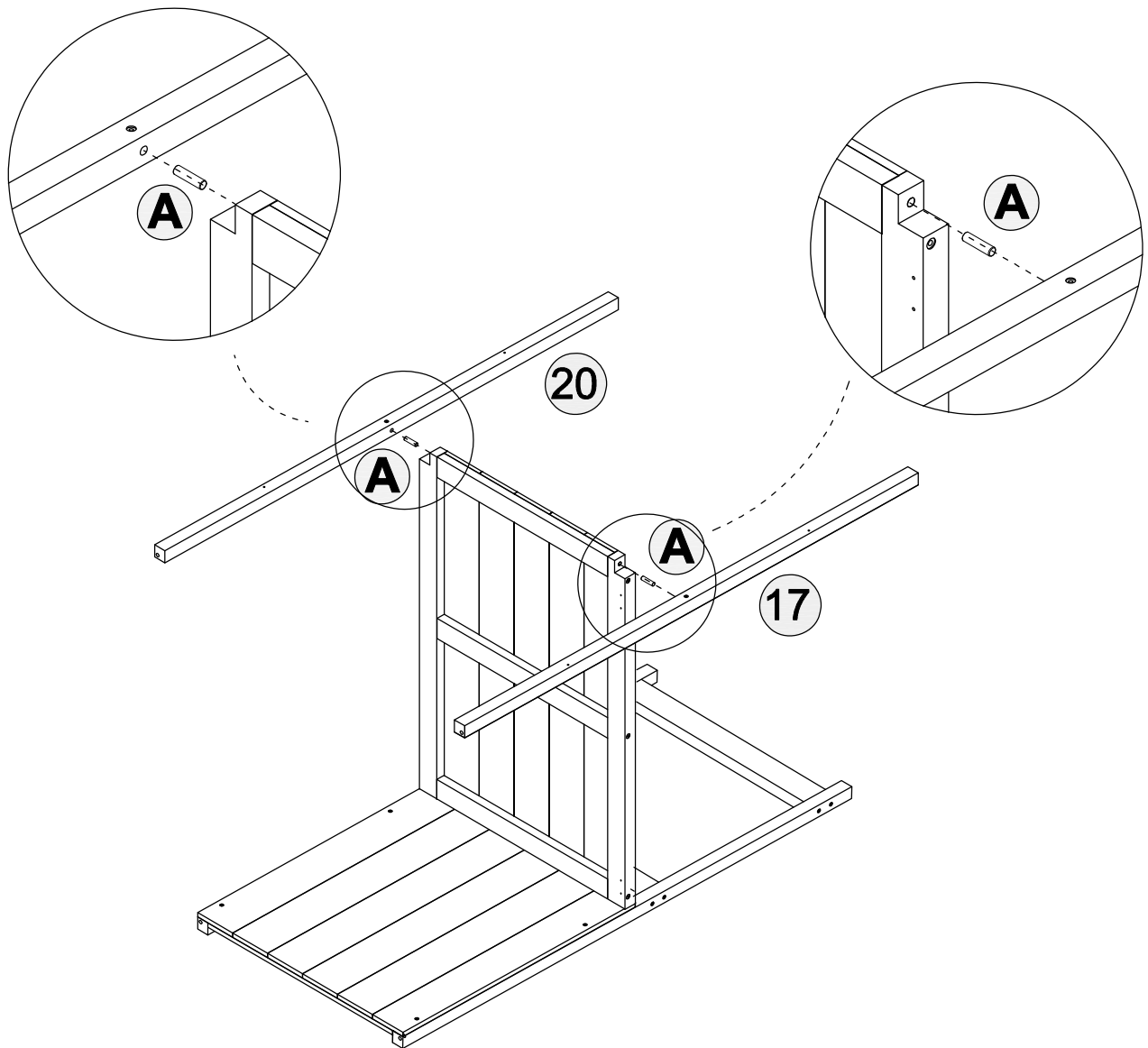
17
Front pull strips
Qty: 1

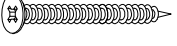


20
Rear pull strips
Qty: 1

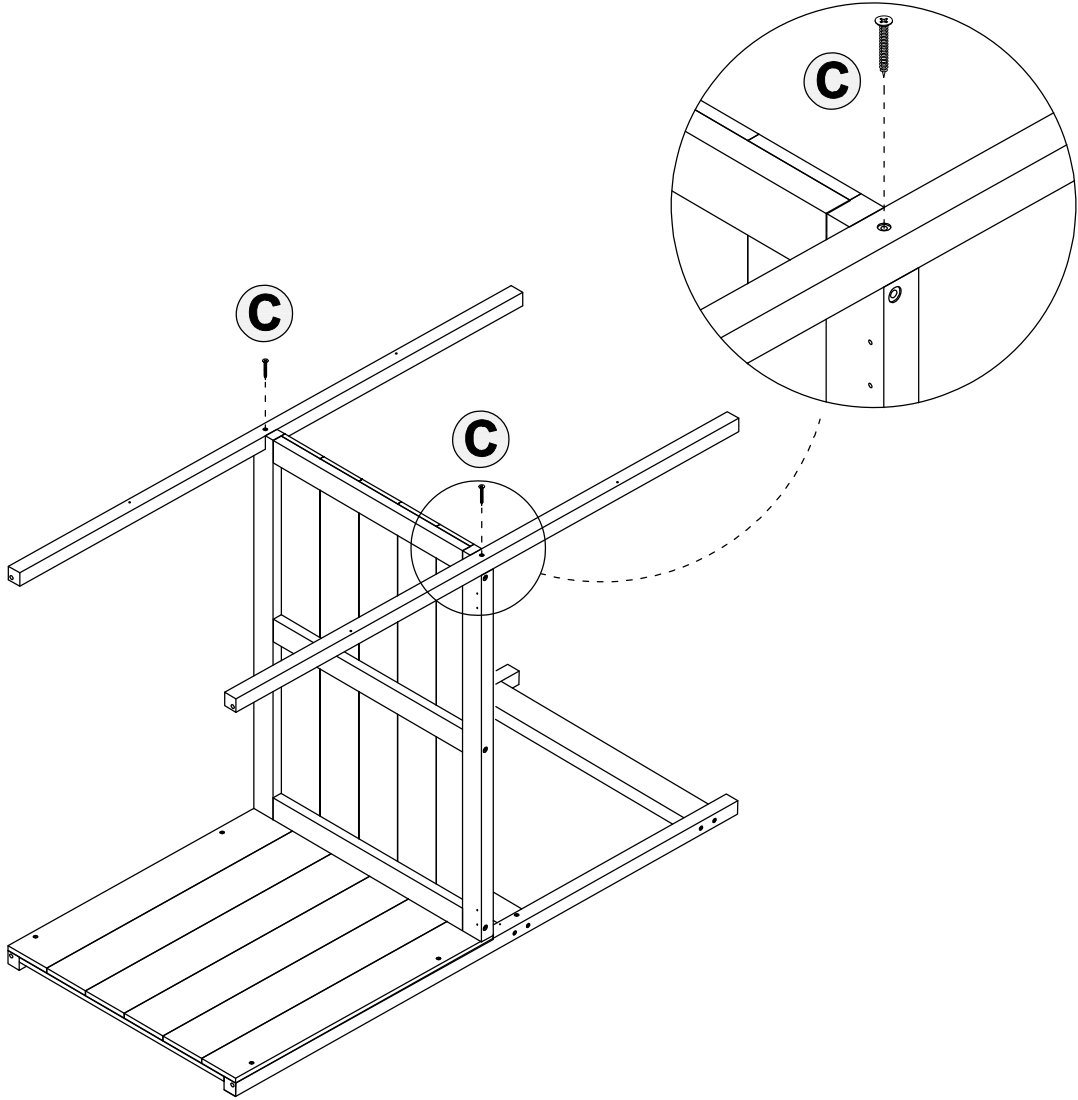


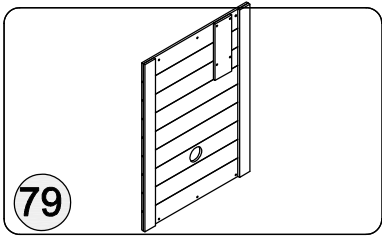
1. Connect the components with hardware A, ensuring the correct hole positions



	
M4*45	
C	x 2

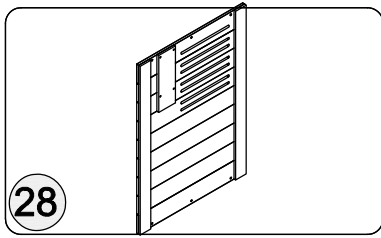
1. Install hardware C






79


Left backplane
Qty: 1



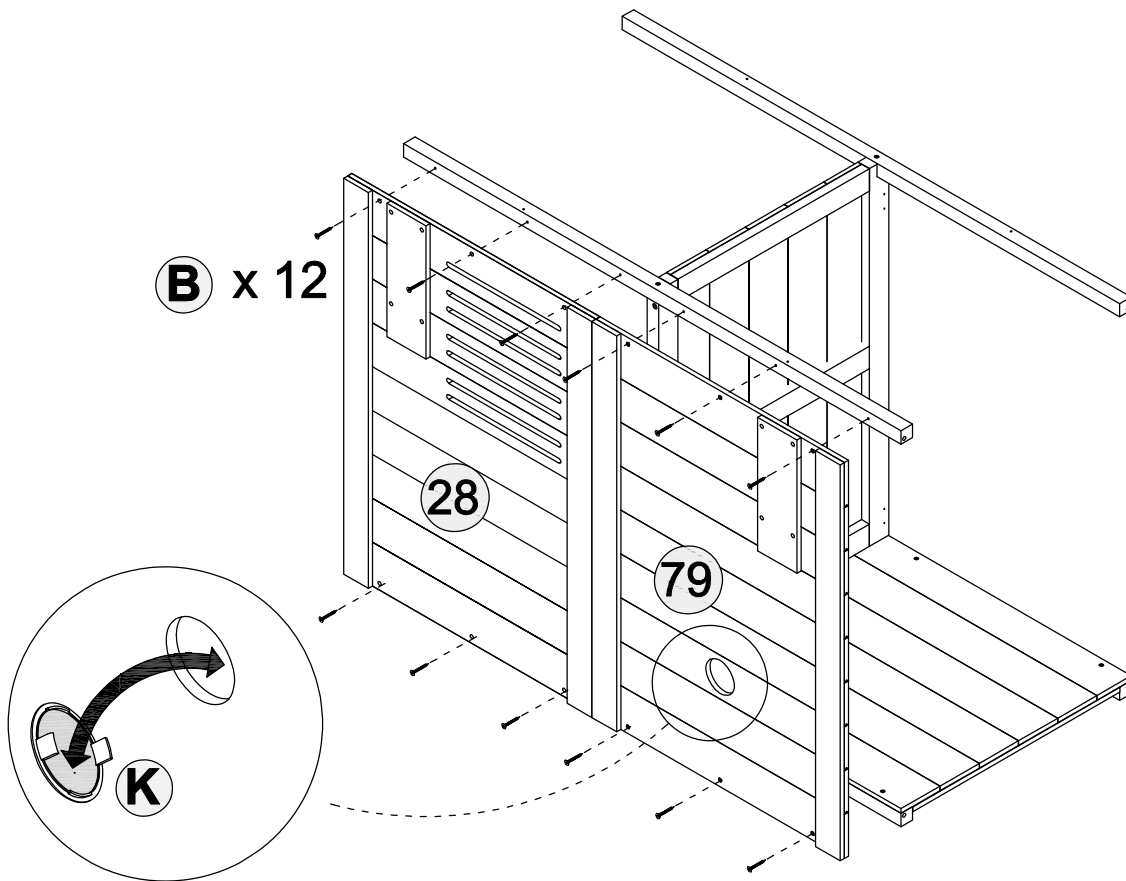
28

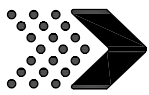
Right Backplane
Qty: 1


	
M4*25	
B	x 12

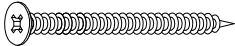
	
K	x 1

1. First, use hardware B to pass through components 28 and 79 and install them with their faces facing the lead holes
2. After aligning components 28 and 79, install the holes below with hardware B
3. Install hardware K into the ventilation hole

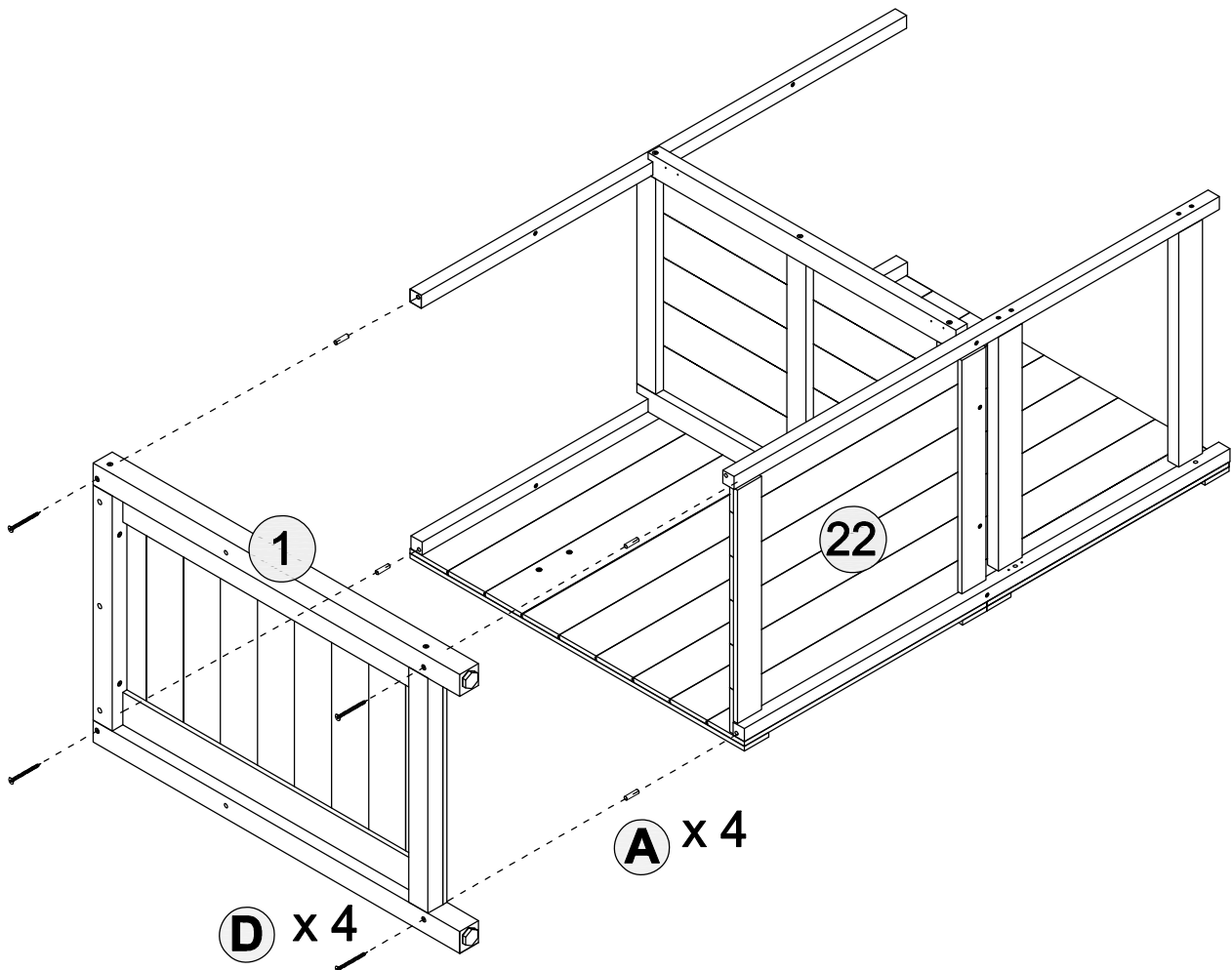


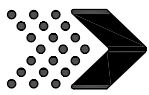


	
Ø8*30	
A	x 4

	
M5*70	
D	x 4

1. Connect with hardware A first, then install with hardware D

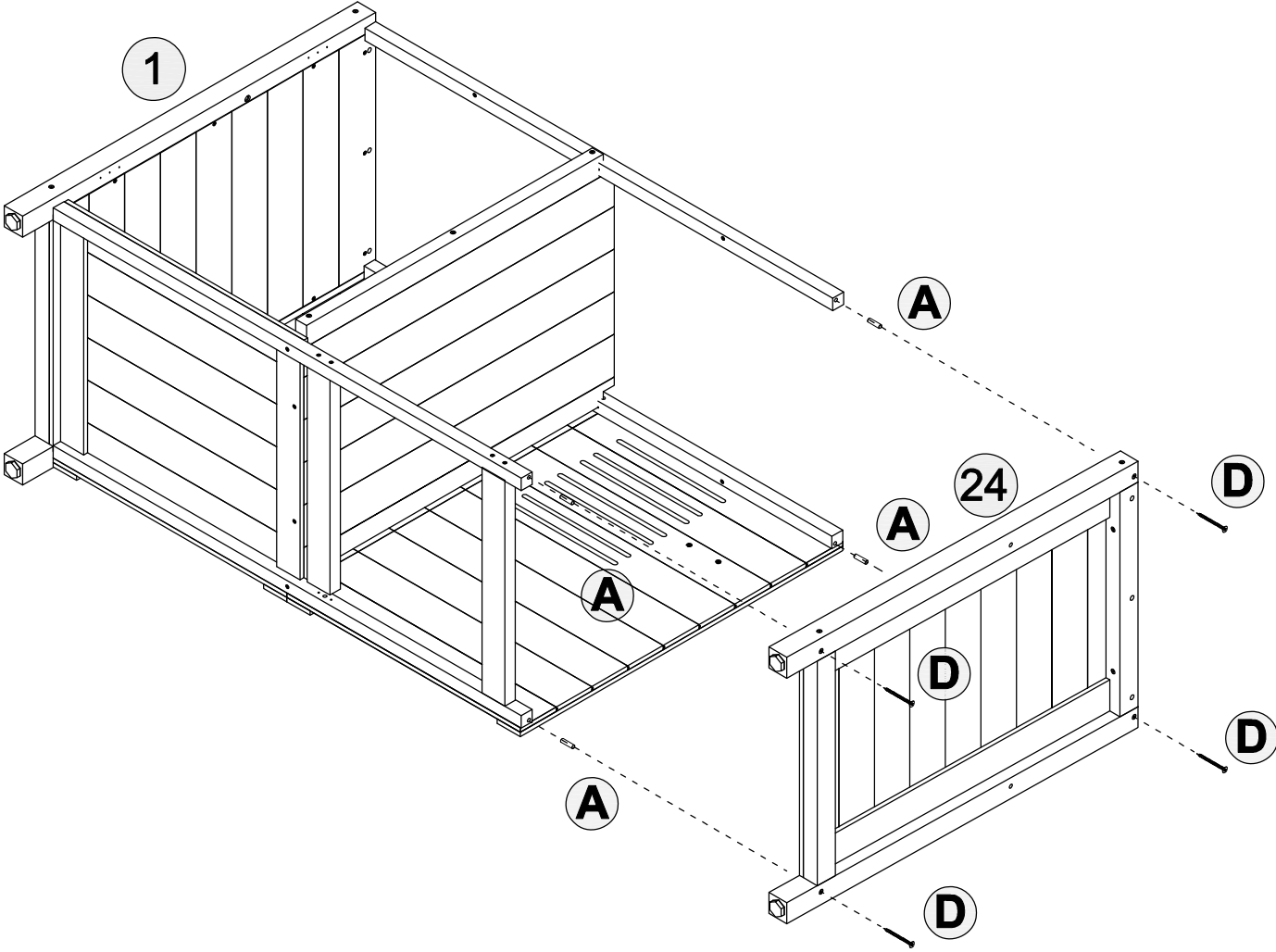


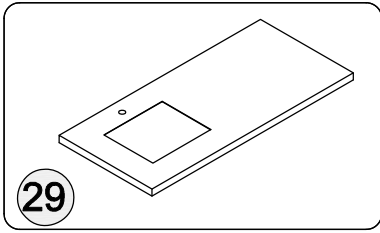


Ø8*30	
A	x 4

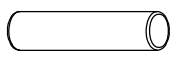
1. Connect with hardware A first, then install with hardware D


M5*70	
D	x 4



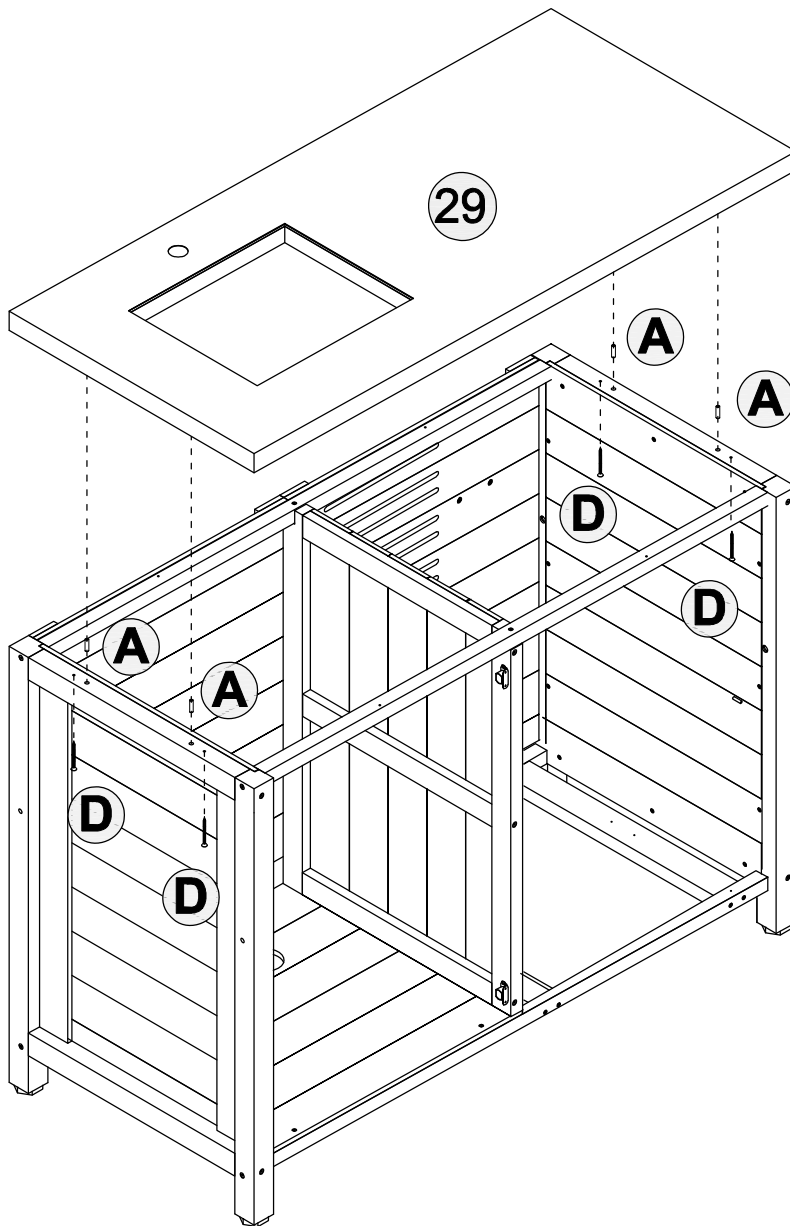


panel
Qty: 1


	
Ø8*30	
A	x 4

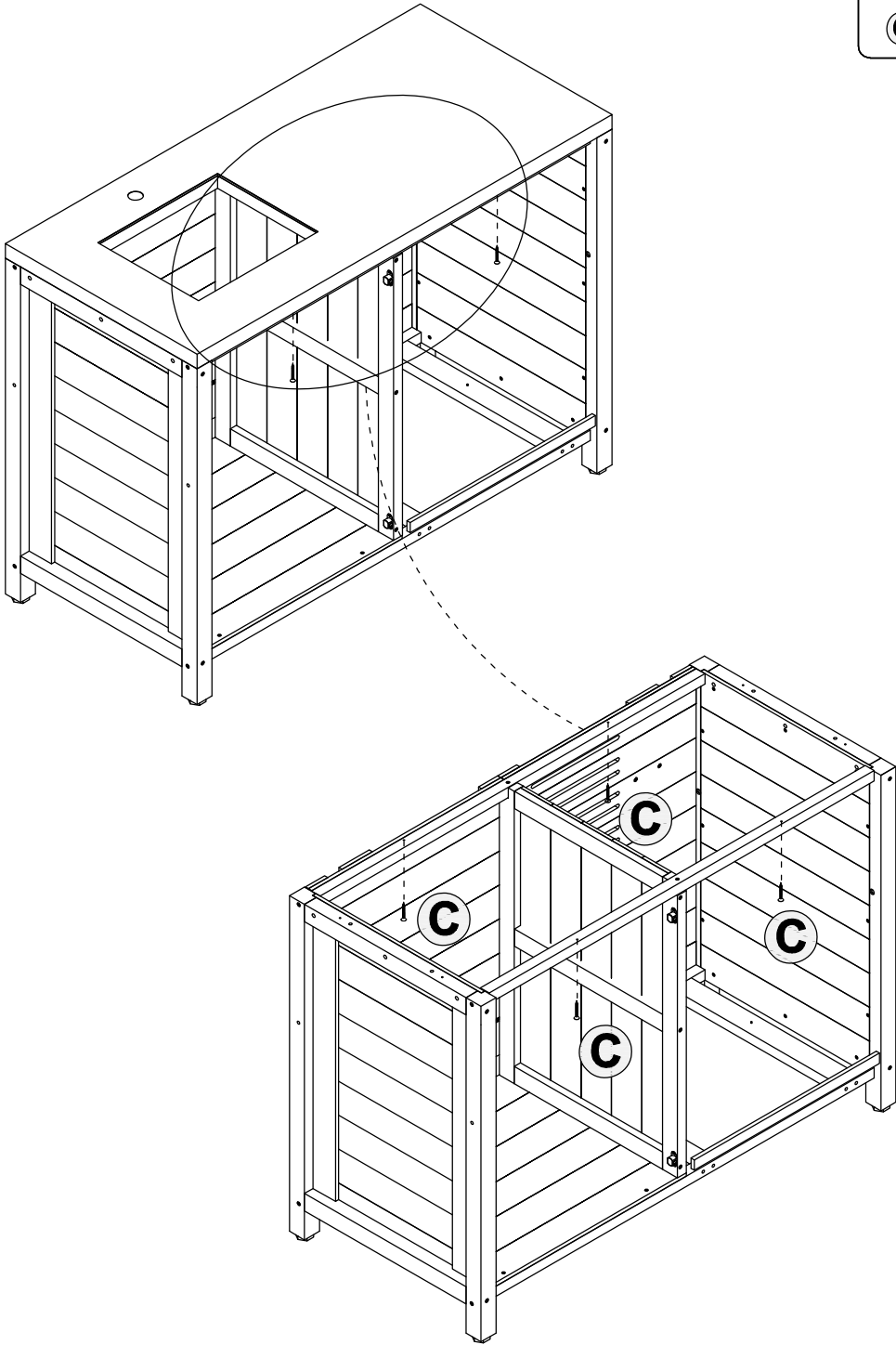
	
M5*70	
D	x 4

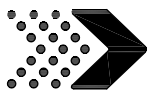
1. Connect with hardware A first, then install with hardware D




1. Install hardware C inside the cabinet

	
M4*45	
C	x 4





1. Install with hardware E through the lead hole

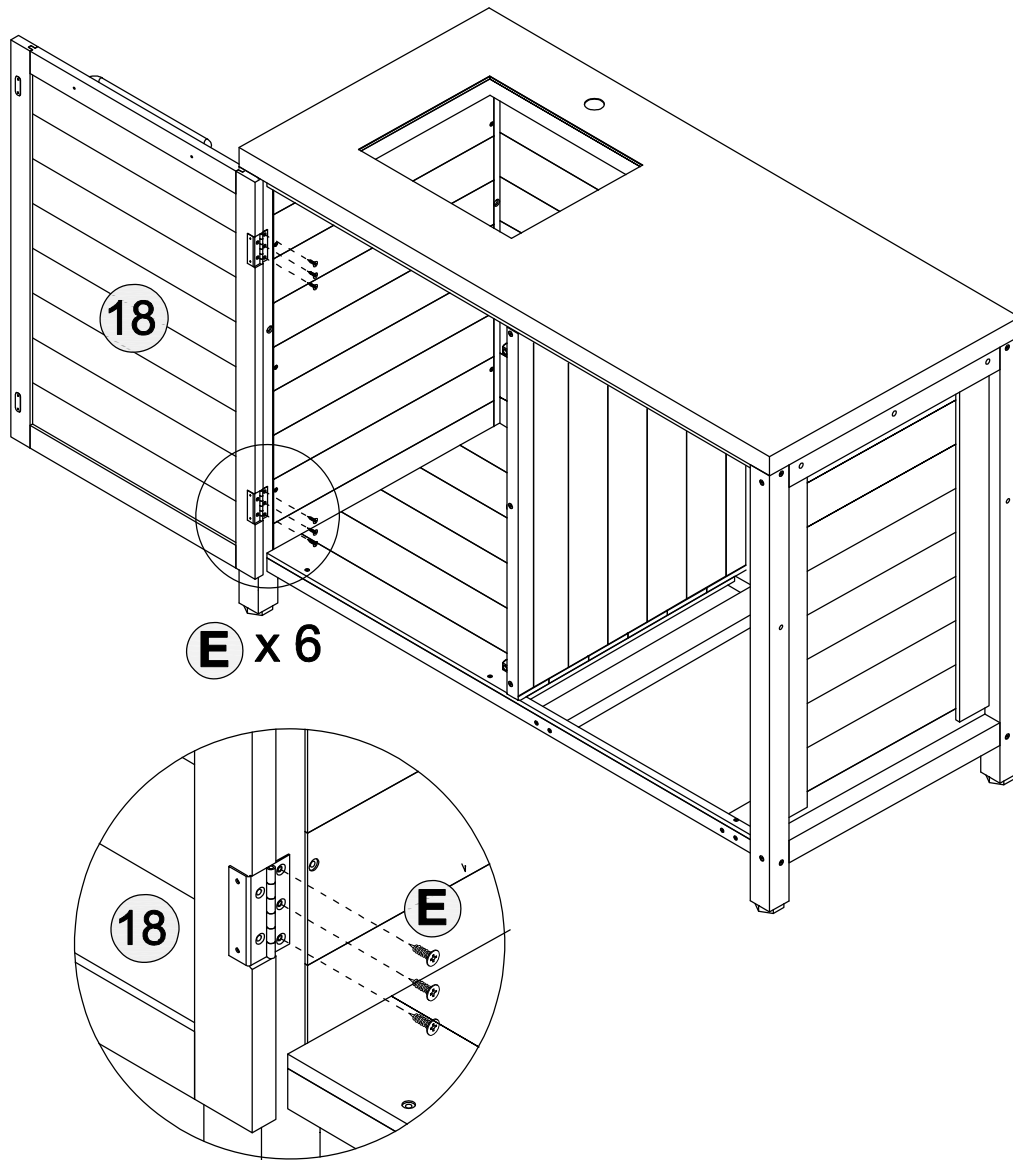
 2. Please note that the hole positions of the pilot holes must be aligned

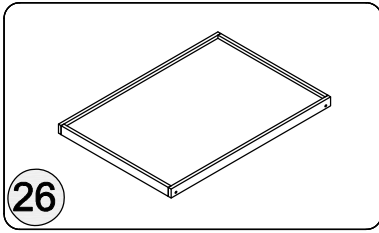
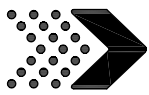


M3*16

E

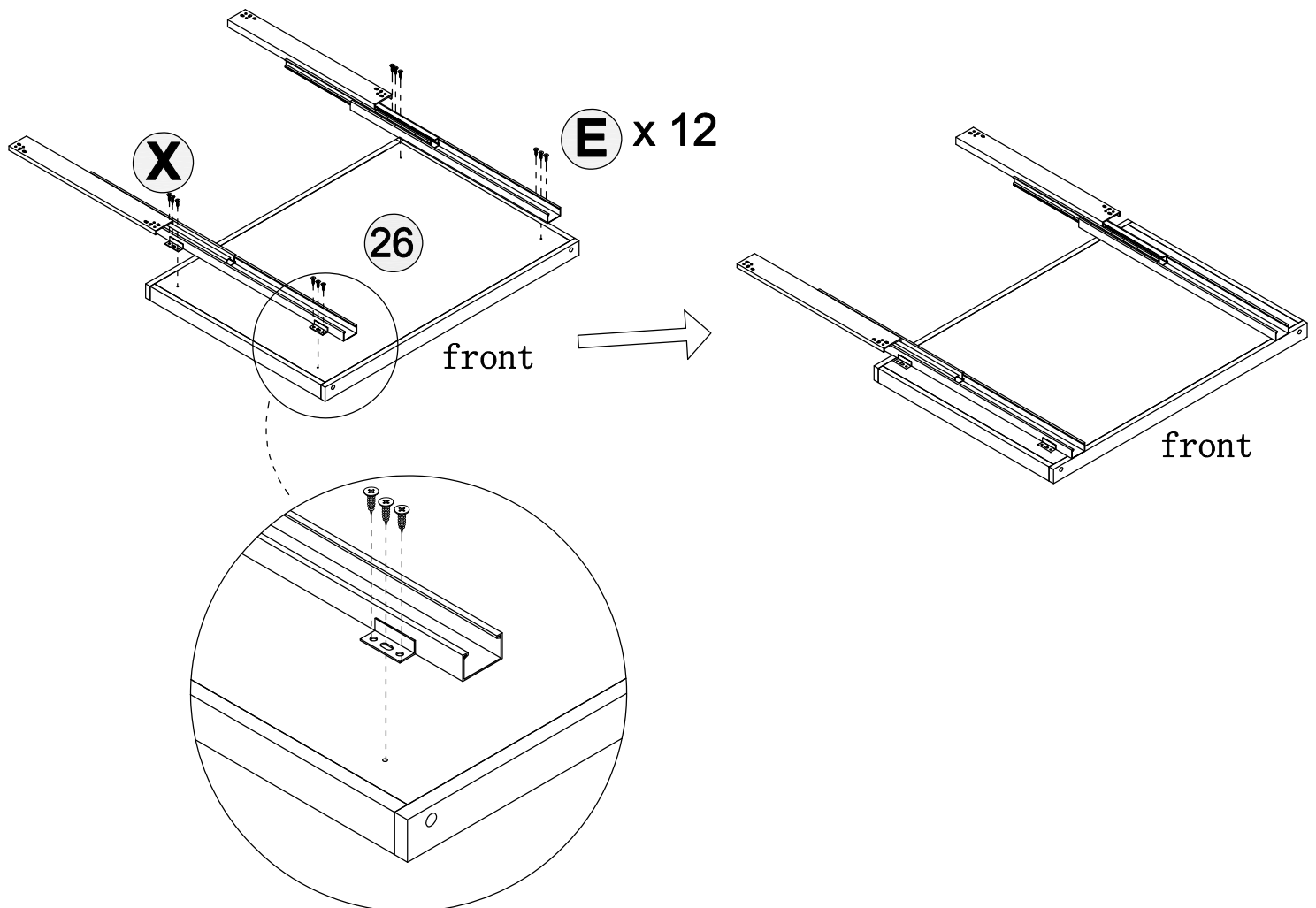
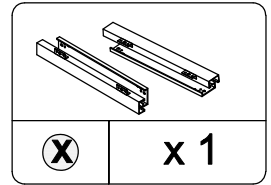
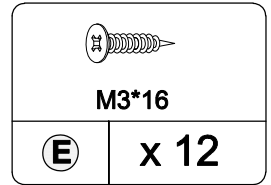
x 6

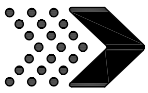




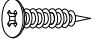
Pull the bottom plate
Qty: 1

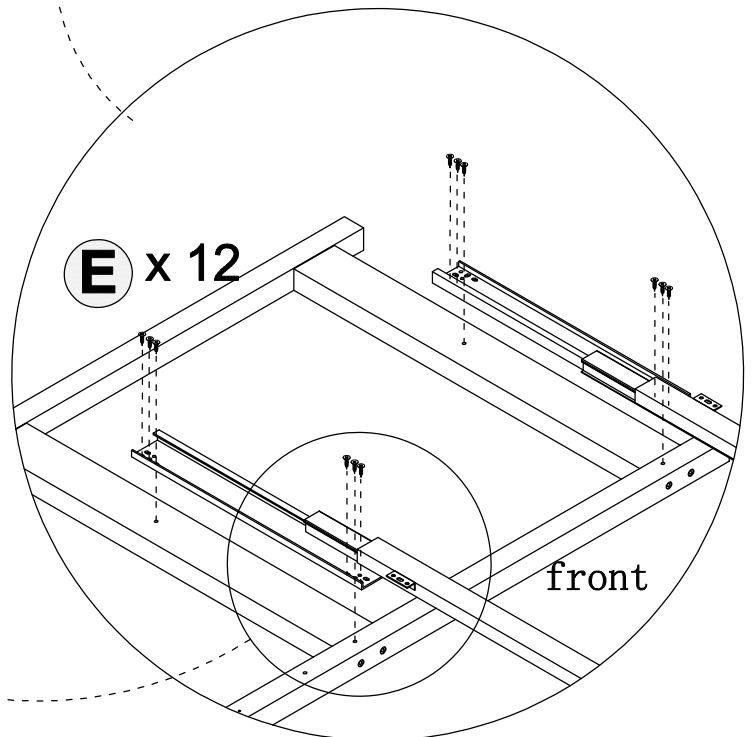
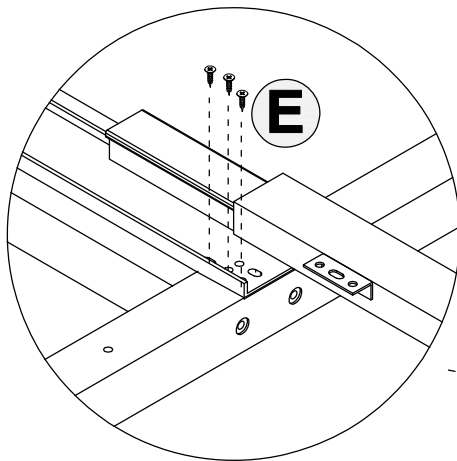
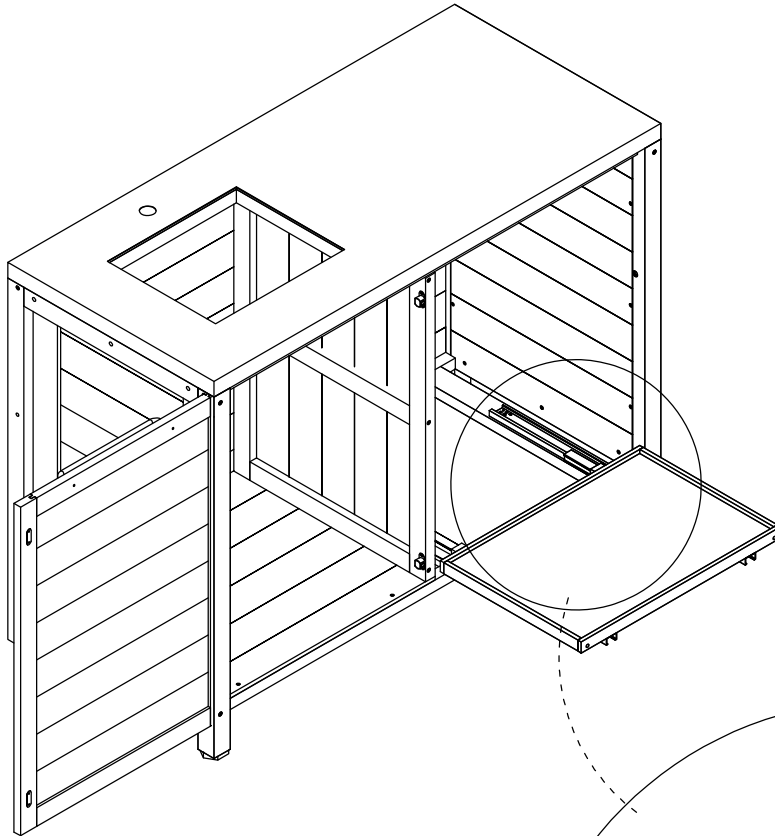
1. Facing the lead hole, install hardware X with hardware E
2. First install the lead hole, then install the other holes, and make sure the front is level after installation

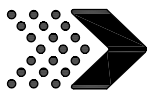




1. Facing the lead hole, install hardware X with hardware E
2. First install the lead hole, then install the other holes, and make sure the front is level after installation

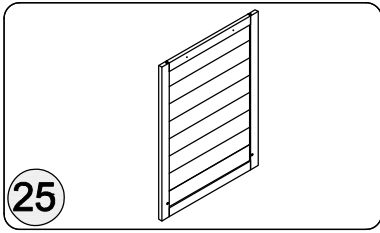
	
M3*16	
E	x 12





Installation of Right door panel

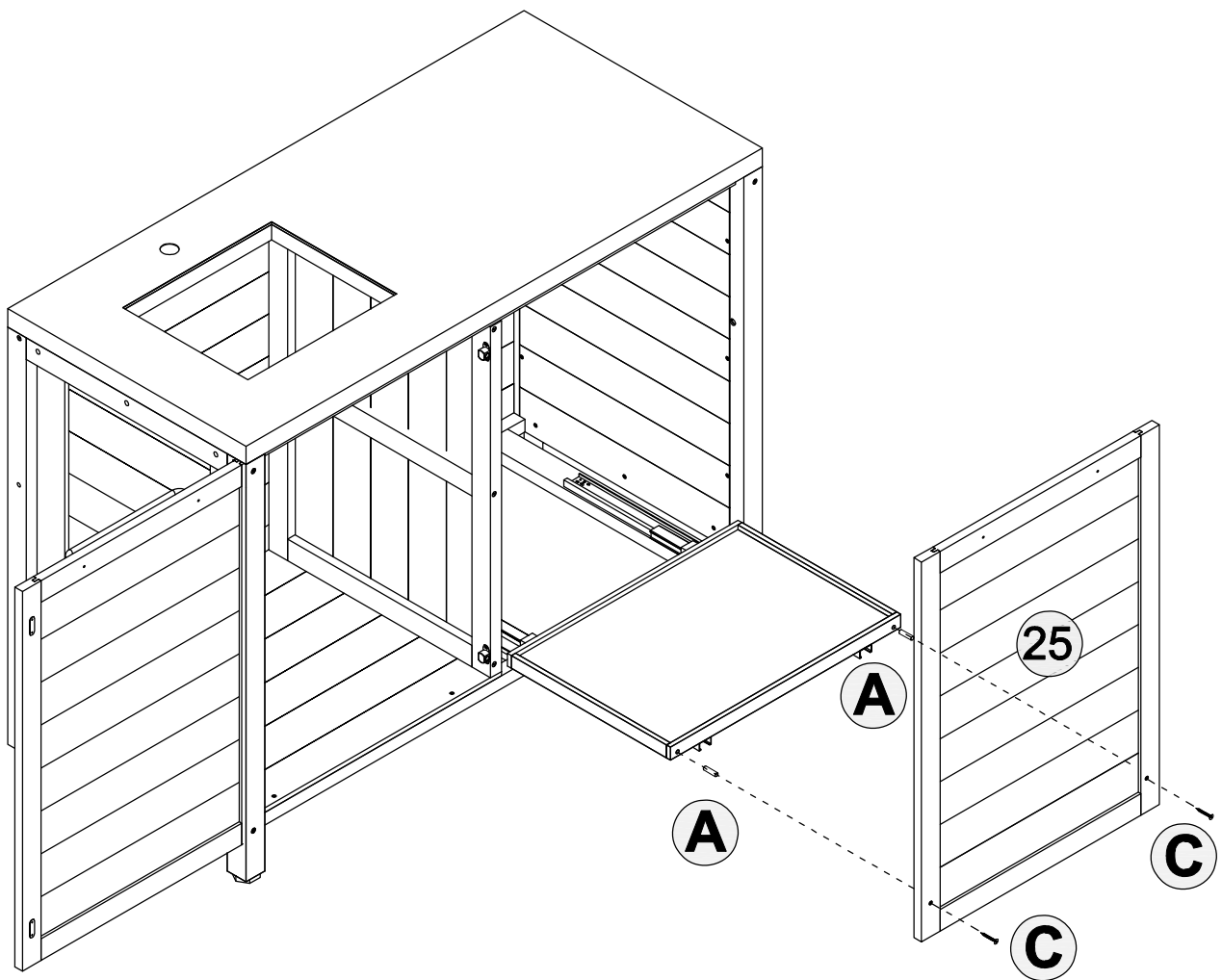
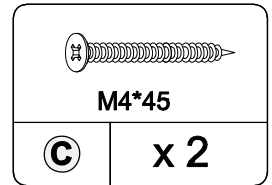
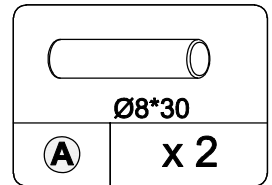
Step 21

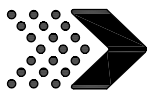


Right door panel

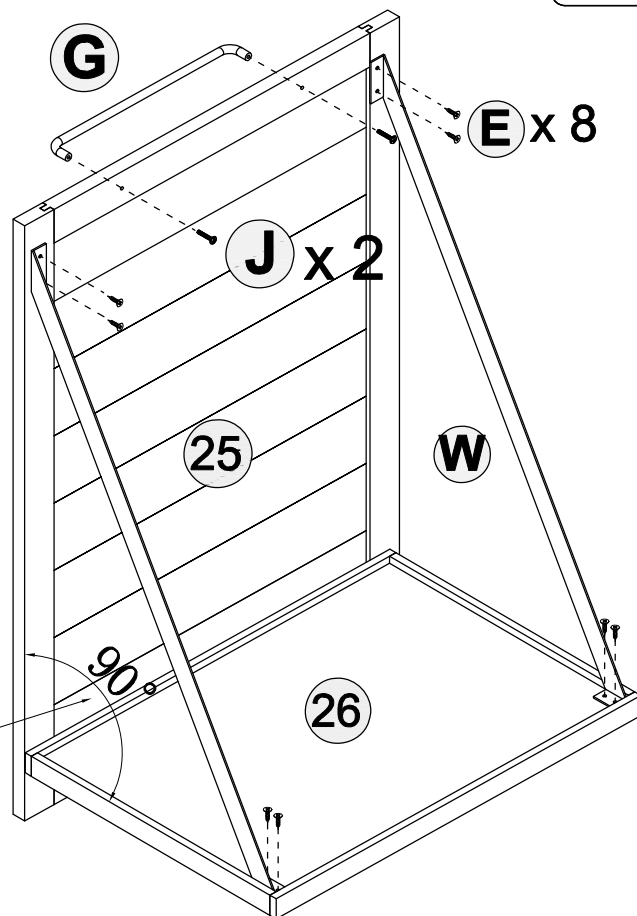
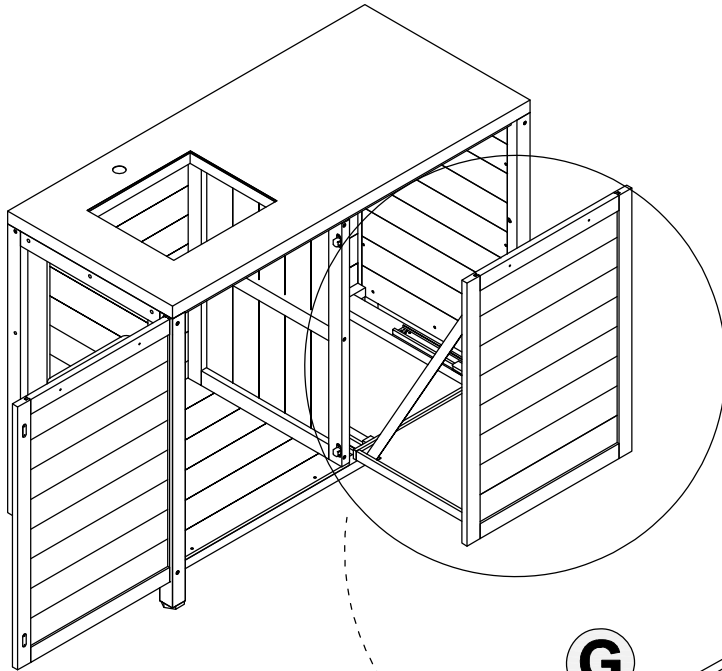
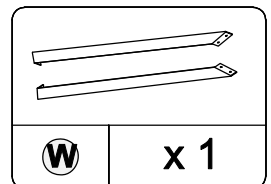
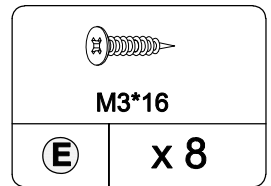
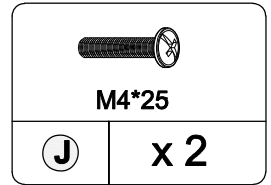
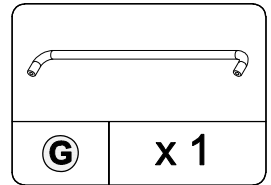
Qty: 1

1. Connect with hardware A first, then install with hardware C

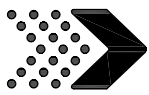




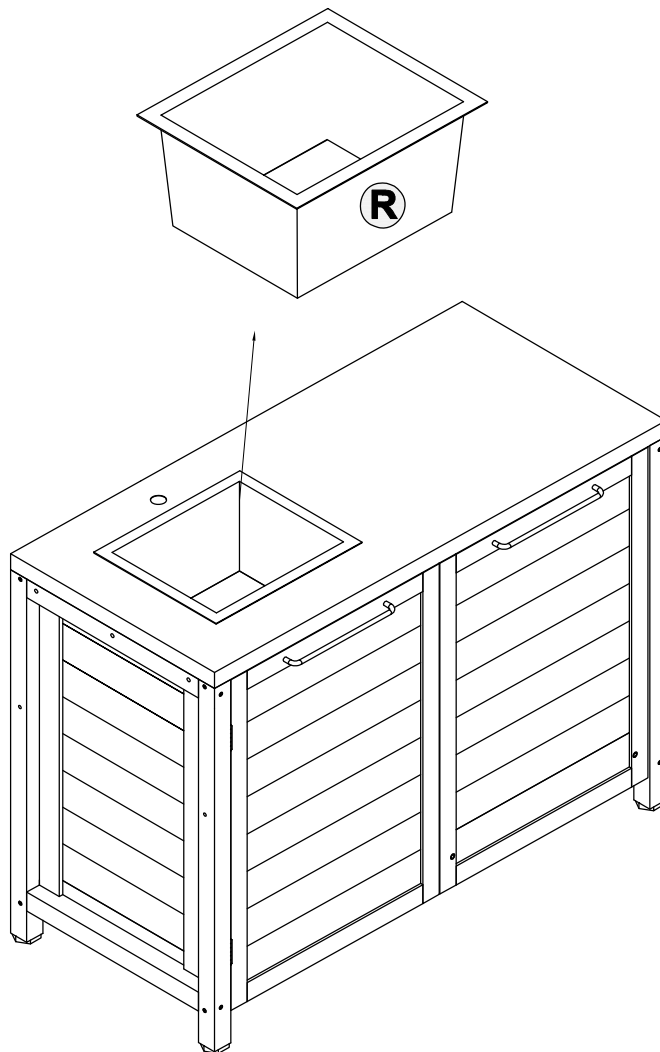
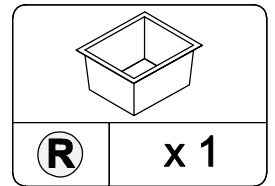
1. Facing the lead hole, install hardware W with hardware E, and Install hardware G with hardware J

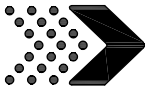


Panel 25 and panel 26 are installed at a 90-degree angle

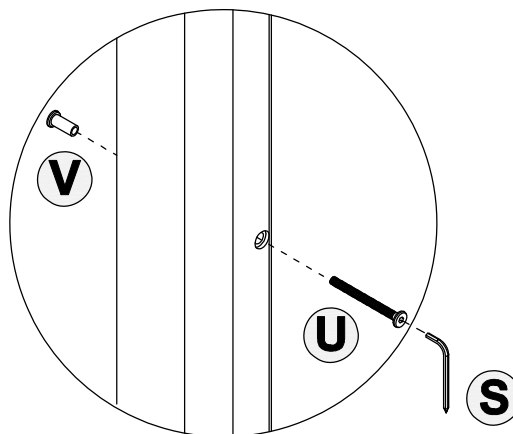
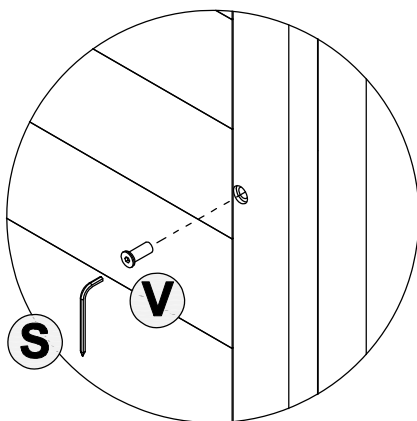
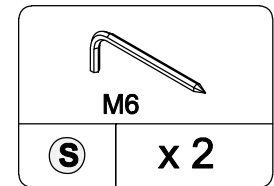
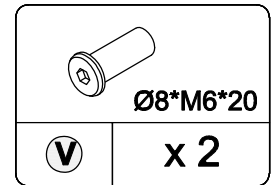
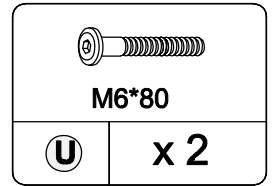
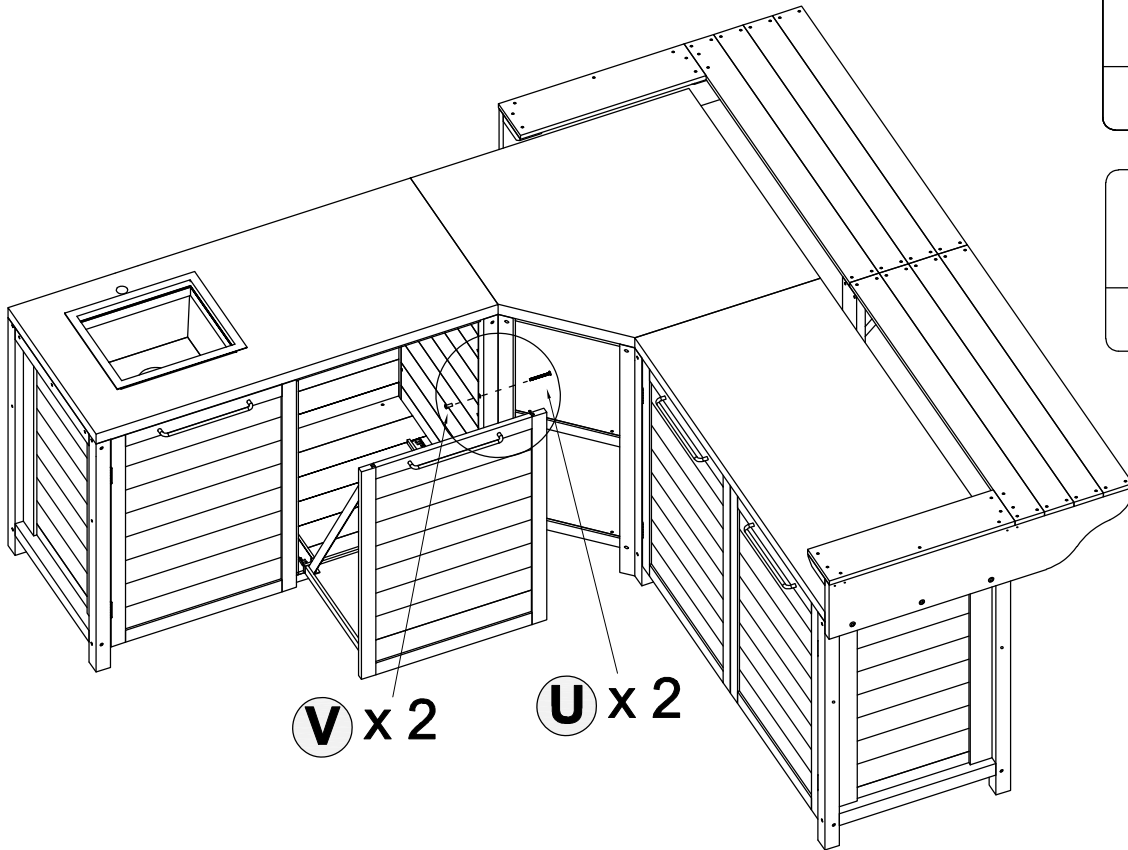


1. Place the hardware R here





1, First, place hardware V into the hole and use tool S to connect hardware U with hardware V



WARRANTY

WARRANTY CLAIMS

- There is a 30-day warranty for broken furniture or any other problems that do not work properly. The warranty will start from the date of purchase which must be verified by proof of purchase.
- Before making a claim, we may be able to answer your query, simply call us. Please leave your purchase order number, along with some details of the problem, if you want a replacement part. We will arrange within 48 hours. If there is out of stock, we will reply with a shipping date.
- The product must be used in accordance with the instructions provided. For health reasons.
- For other reasons, if the furniture needs to be returned, it must be cleaned and dried and operated within 30 days of receipt.

Type of Warranty Claim

- Failure to follow the furniture instructions will invalidate the warranty. Attention please.
- Does not include damage during installation, but includes damage during transportation.

Scope of responsibility

- Shall not bear any responsibility for misuse or user damage and / or loss of parts during the installation of furniture.
- After using, the damage and scratches of the furniture are not covered by the warranty.

The Warranty Relates to All Bought in The Us and Covers The Following Areas

- Sheet parts: 1 month from the date of purchase.
- Electrical parts: 1 month from the date of purchase.

RETURNS

CHANGED YOUR MIND AND NEED TO RETURN YOU ITEM?

PLEASE FOLLOW THE BELOW INSTRUCTIONS:

- If you have purchased and have simply changed your mind, follow the retailer's instructions for returns.

DEFECTIVE ITEMS

- If your item is defective in any way, i.e. it doesn't work but you can't identify why, in the first instance, please call us.

DAMAGED ITEMS

- If you receive an order with obvious shipping damage from the retailer, then we suggest the delivery is refused. If the delivery has been accepted and then shipping damage is found, please follow the specific instructions advised by the retailer.
In all circumstances please save all packaging material and paperwork for the order. Please be aware that if you dispose of packaging material or attempt to return the merchandise without contacting the fulfiller, you jeopardise your chances of making a claim, and you may not receive a credit for the return.

AFTER-SALES CONTACT



adelahu@fufugaga.com



208-820-0068
208-820-0799