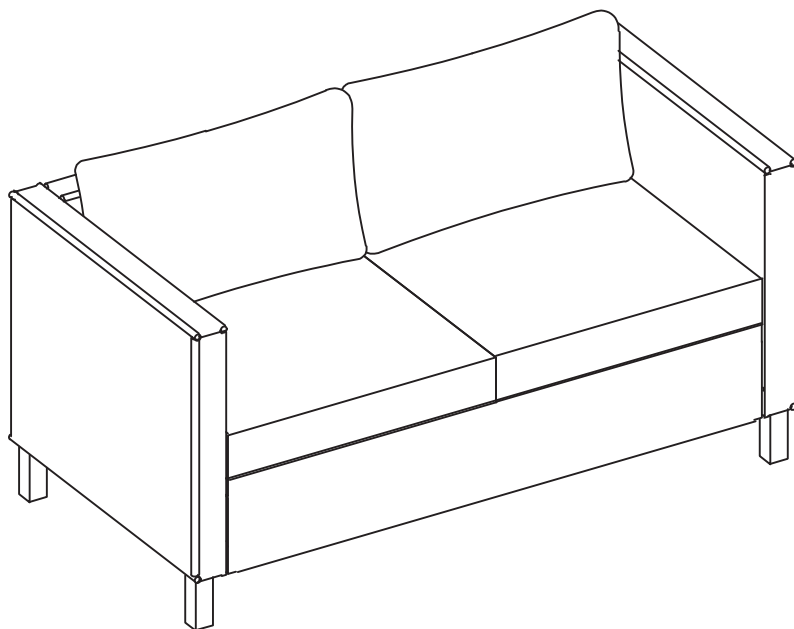


# **Instruction Manual**

## **140cm 2 Seater Sofa - Light Grey Rattan with Stone Grey Cushions**



# CONTENTS

---

Safety and care advice	1
Components	2
Assembly instructions	4

# ⚠ SAFETY AND CARE ADVICE ⚠

---

## PLEASE READ THESE INSTRUCTIONS CAREFULLY AND KEEP FOR FUTURE REFERENCE

- **Warning:** Please lift with care.
- Check you have all the components and tools listed on pages 2 and 3.
- Remove all fittings from the plastic bags and separate them into their groups.
- Keep children and animals away from the work area, small parts could choke if swallowed.
- Make sure you have enough space to lay out the parts before starting.
- Do not stand or put weight on the product, this could cause damage.
- Assemble the item as close to its final position (in the same room) as possible.
- Assemble on a soft level surface to avoid damaging the unit or your floor (use opened out unit carton).



- We do not recommend the use of power drill/drivers for inserting screws, as this could damage the unit. Only use hand screwdrivers.
- Dispose of all packaging carefully and responsibly.

## CARE AND MAINTENANCE

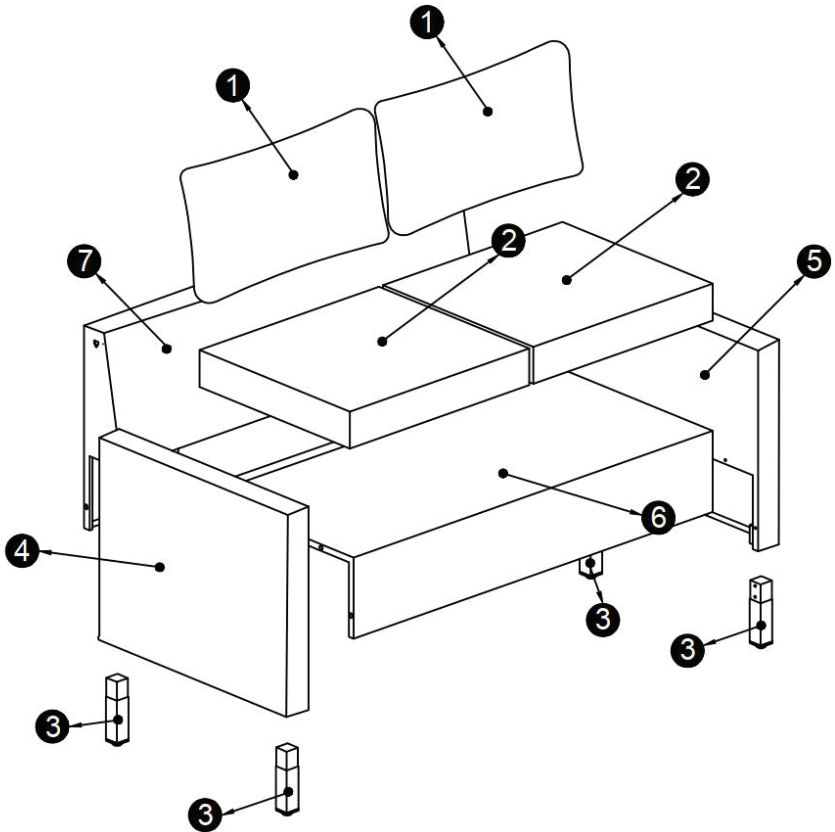
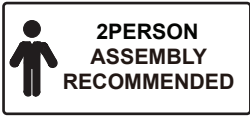
---

- Only clean using a damp cloth and mild detergent, do not use bleach or abrasive cleaners.
- From time to time check that there are no loose screws on this unit.
- This product should not be discarded with household waste. Take to your local authority waste disposal center.

Note: If required the next page can be cut out and used as reference throughout the assembly. Keep this page with these instructions for future reference.

# COMPONENTS

Please check you have all the panels listed below:



1	Back Cushion	x2	5	Left Arm	x1
2	Seat Cushion	x2	6	Seat	x1
3	Legs	x4	7	Backrest	x1
4	Right Arm	x1			



# COMPONENTS

---

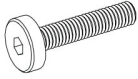
Please check you have all the fittings listed below:

A



Bolt M6x20 (8 pcs)

B



Bolt M6 x 40 (14 pcs)

C



Flat Washer (22pcs)

D

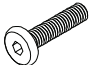




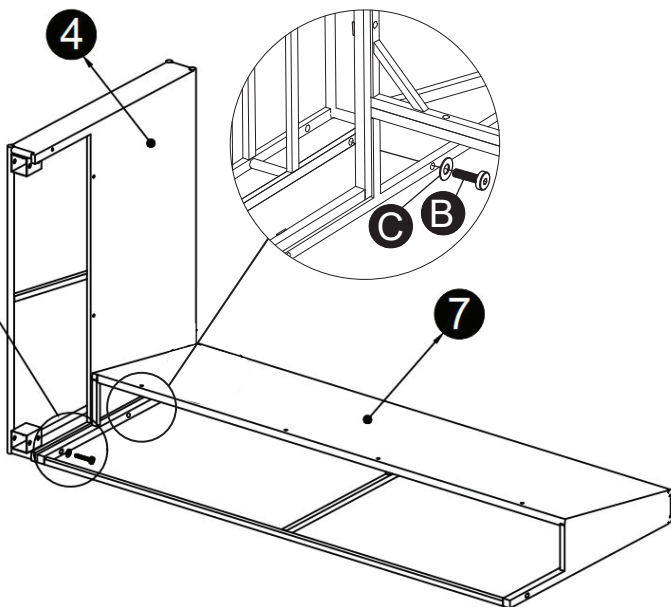
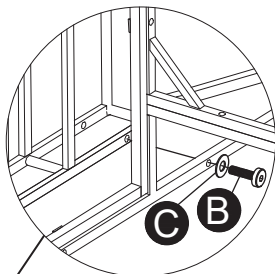
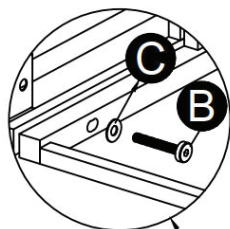
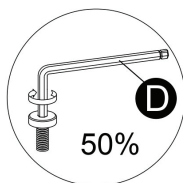
Allen Key (1 pc)



# ASSEMBLY INSTRUCTIONS

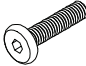


Step 1 :

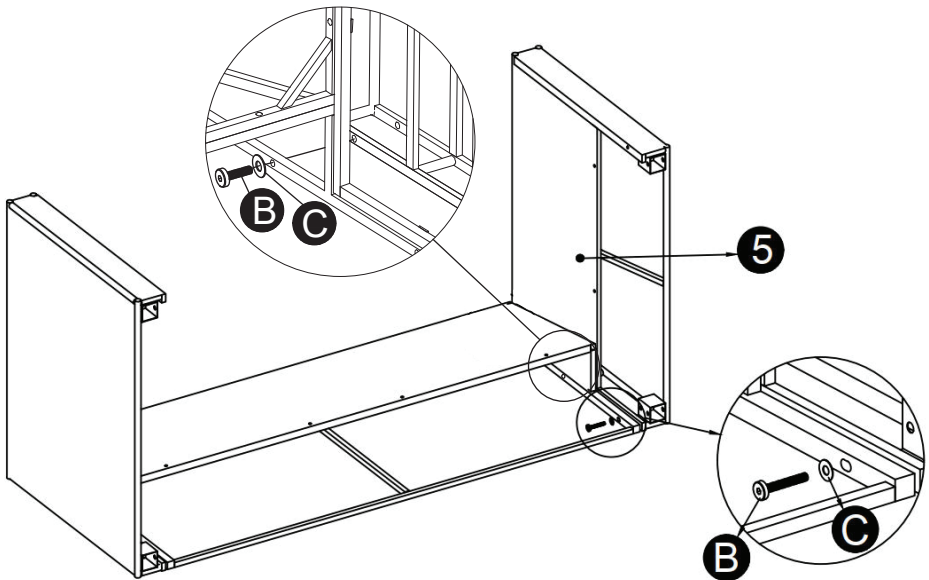
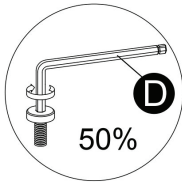
B		2	
C		2	
D		1	



# ASSEMBLY INSTRUCTIONS




Step 2 :

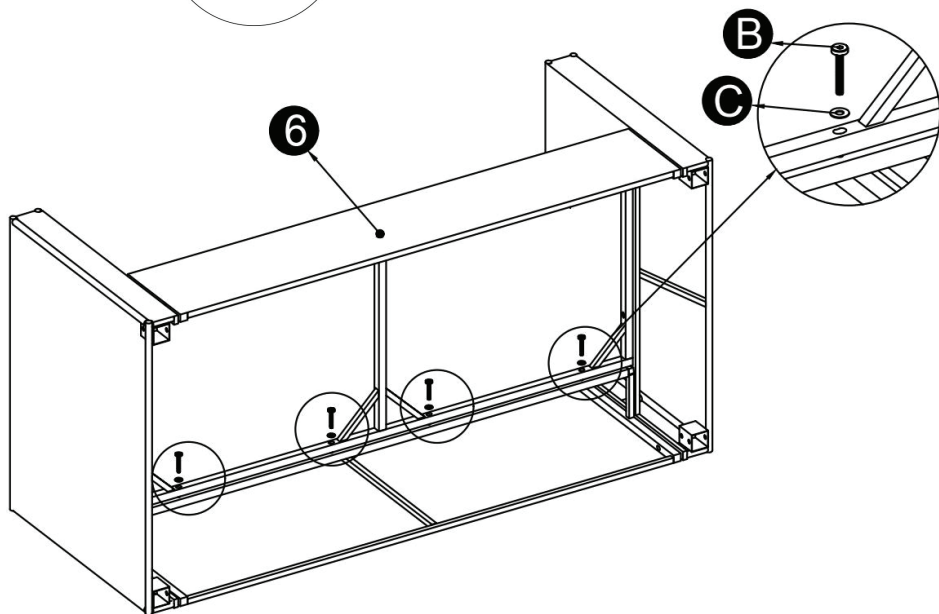
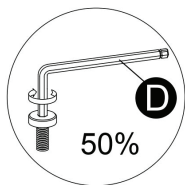
B		2	
C		2	
D		1	



# ASSEMBLY INSTRUCTIONS




Step 3 :

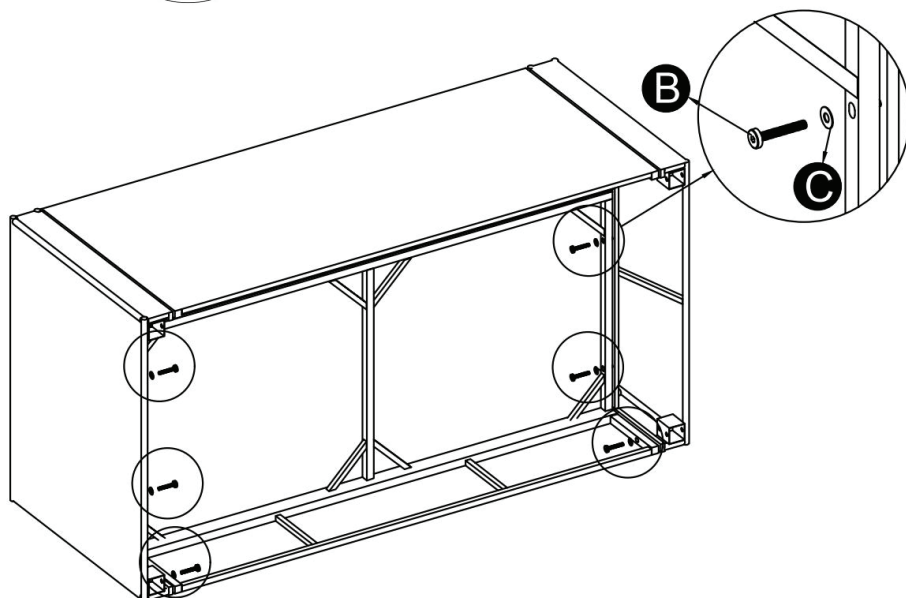
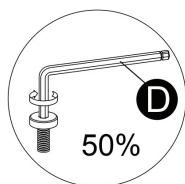
B		4	
C		4	
D		1	



# ASSEMBLY INSTRUCTIONS




Step 4 :

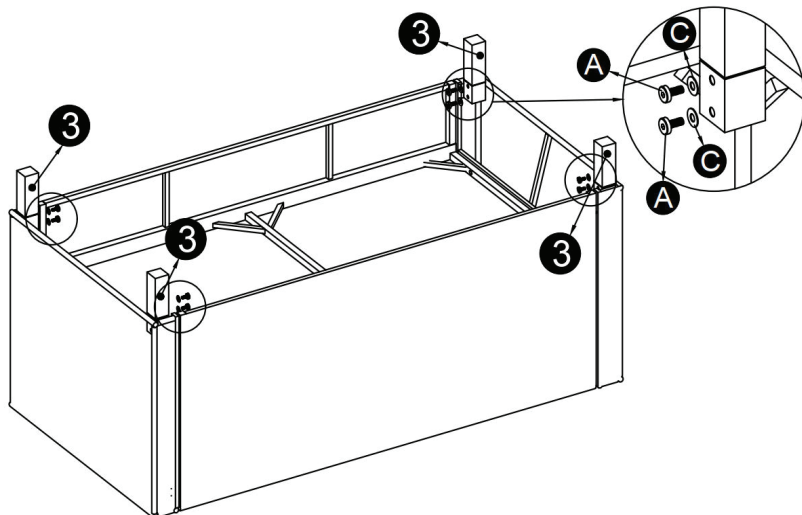
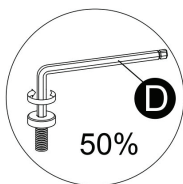
B		6	
C		6	
D		1	



# ASSEMBLY INSTRUCTIONS

Step 5 :

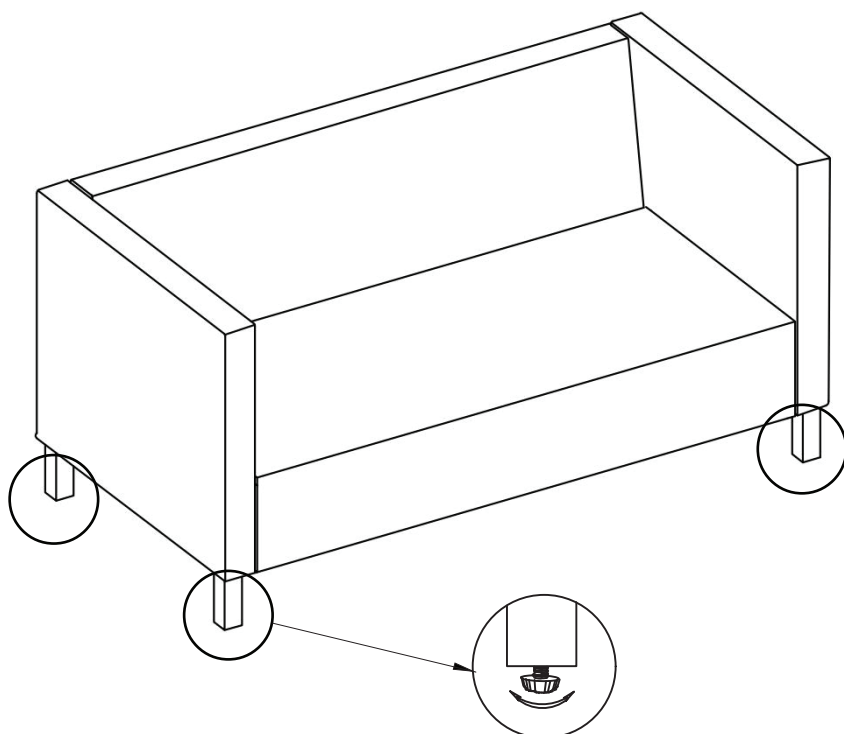
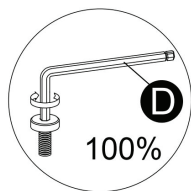
A		8
C		8
D		1



# ASSEMBLY INSTRUCTIONS

---

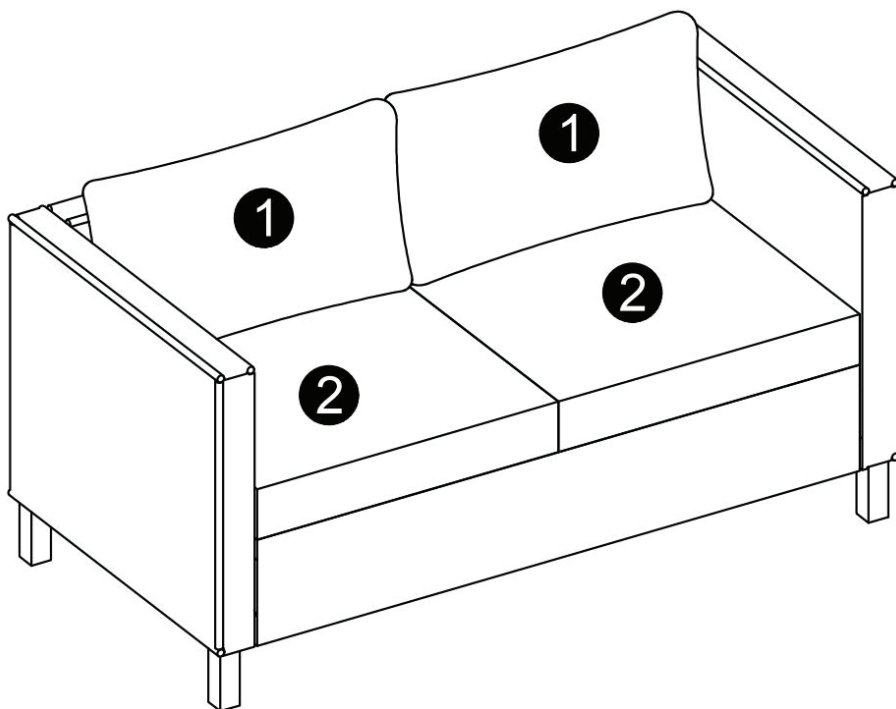
Step 6 :



# ASSEMBLY INSTRUCTIONS

---

Step 7 :



Congratulations! Now you have finished assembling the product.