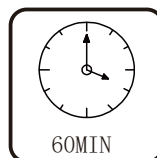
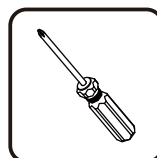
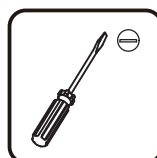
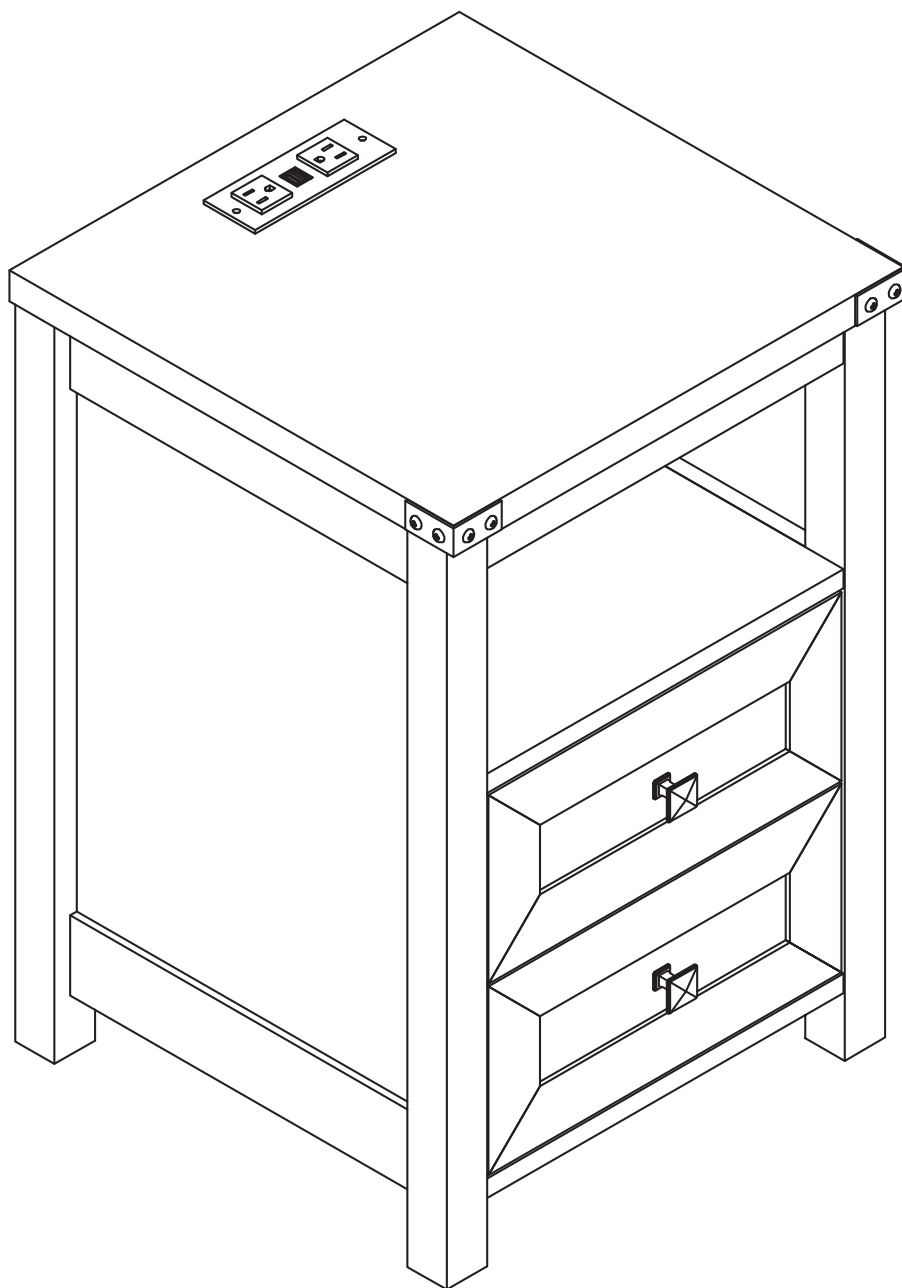
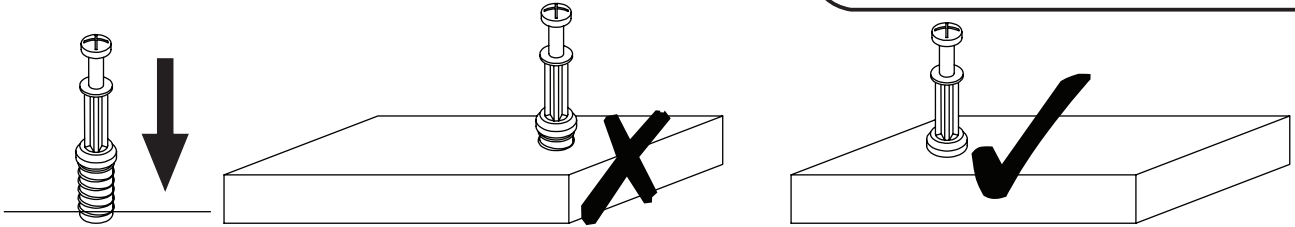


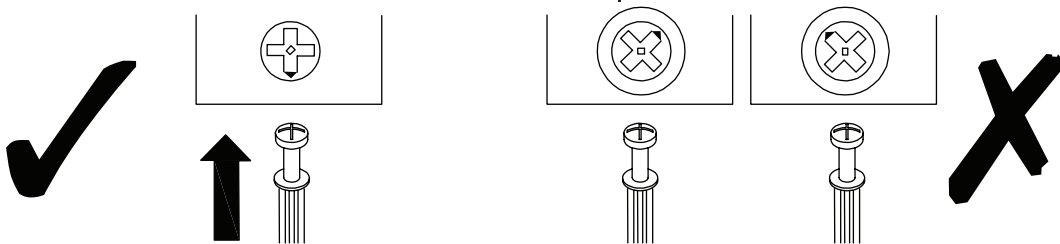
Installation & Assembly



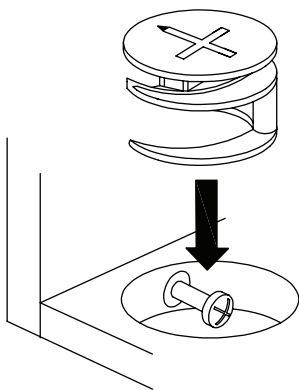
USING CAM LOCK AND QUICKFIT



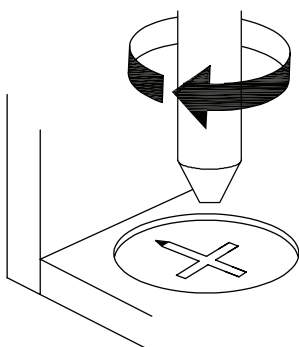
EN_QUICKFIT: Tighten quickfit until shoulder is flush with panel. Do not overtighten or undertighten.



EN_CAM LOCK: When fitting cam lock, ensure starting position is correct before you insert connecting quickfit.

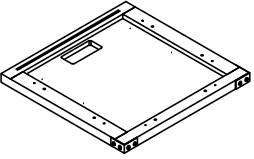
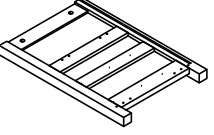
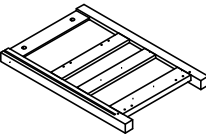
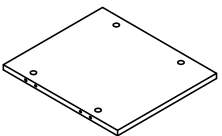
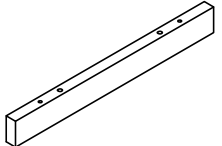
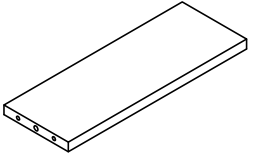
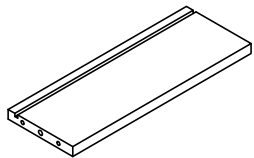


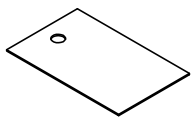
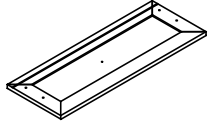
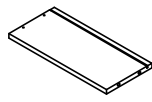
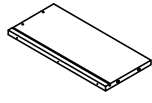
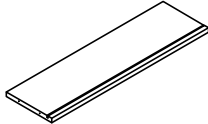
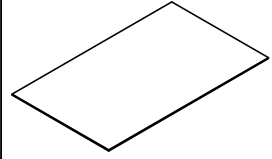

EN_Quickfit head should be in the centre of the cam lock when the two panels are joined.
Cam lock should be inserted before quickfit.

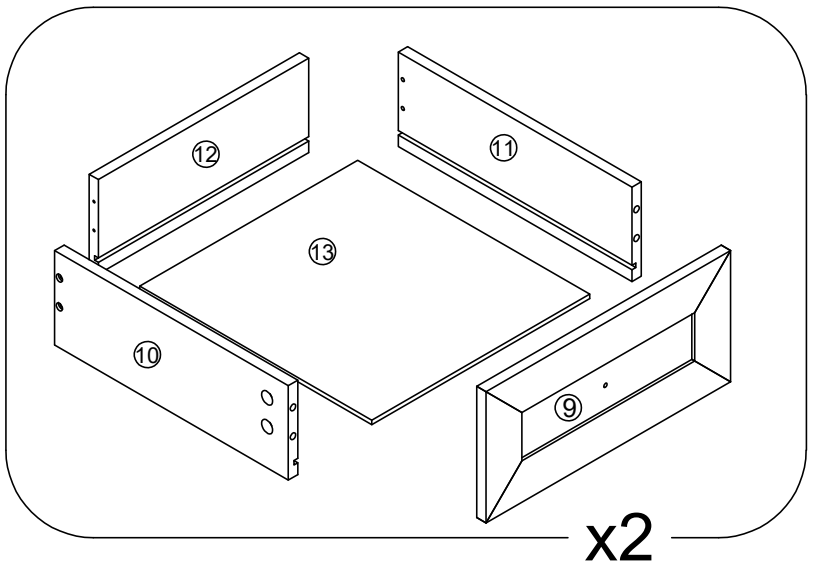
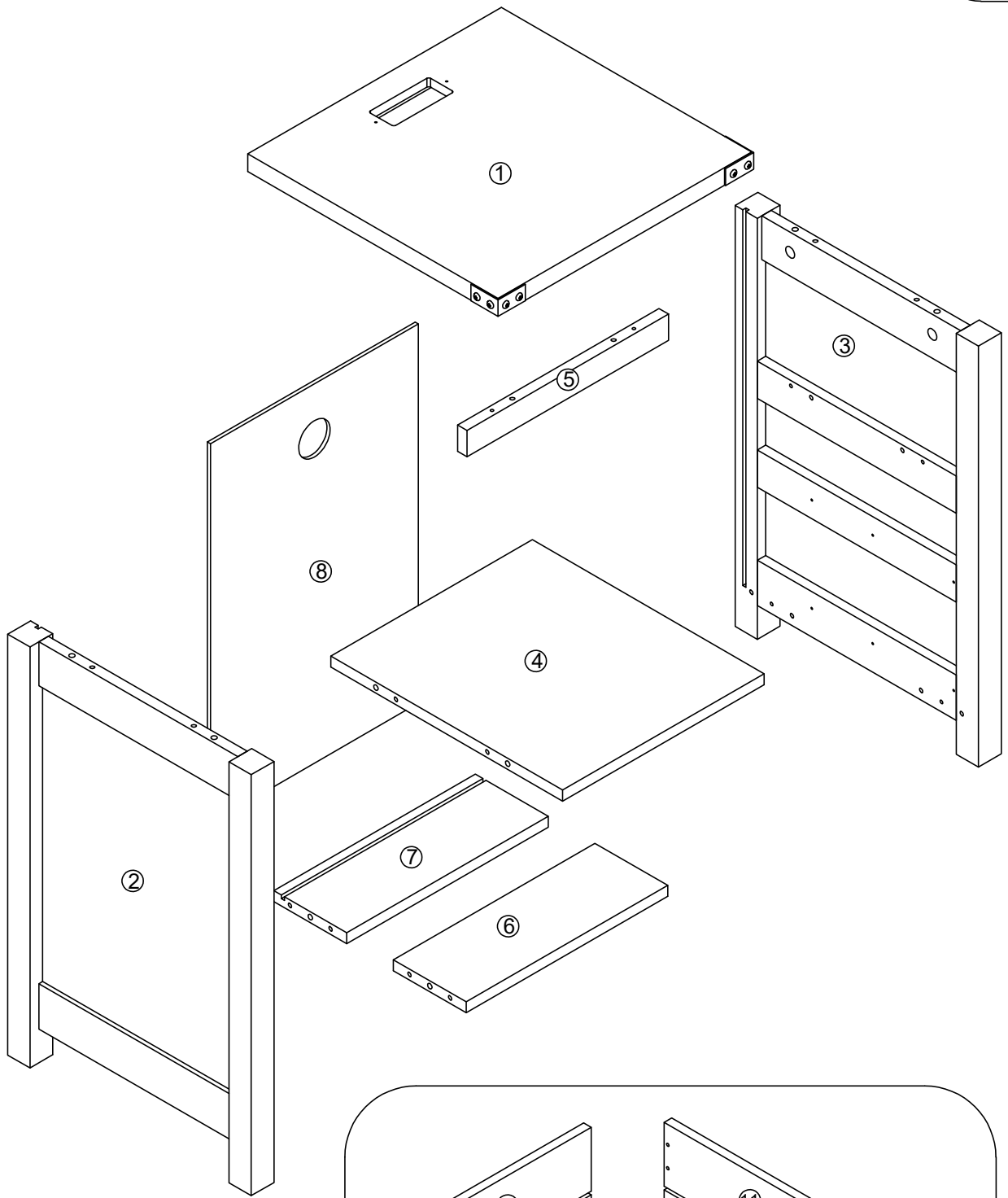


EN_Turn cam lock clockwise to tighten.

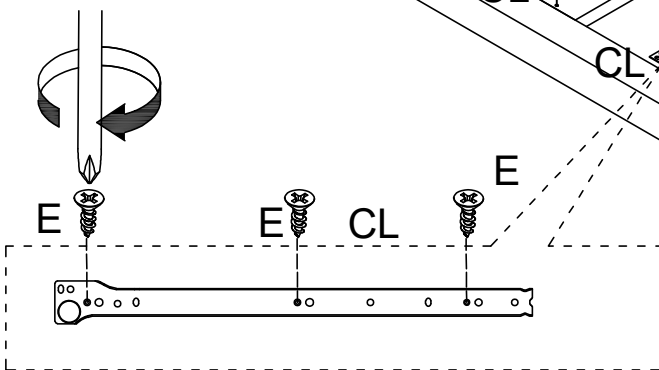
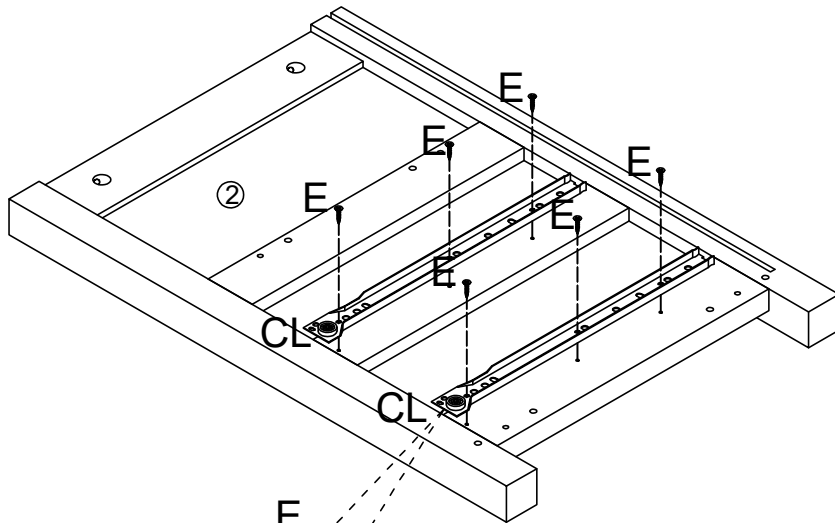
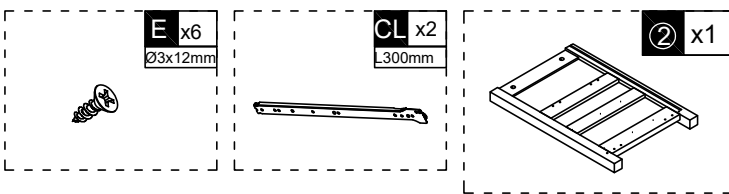
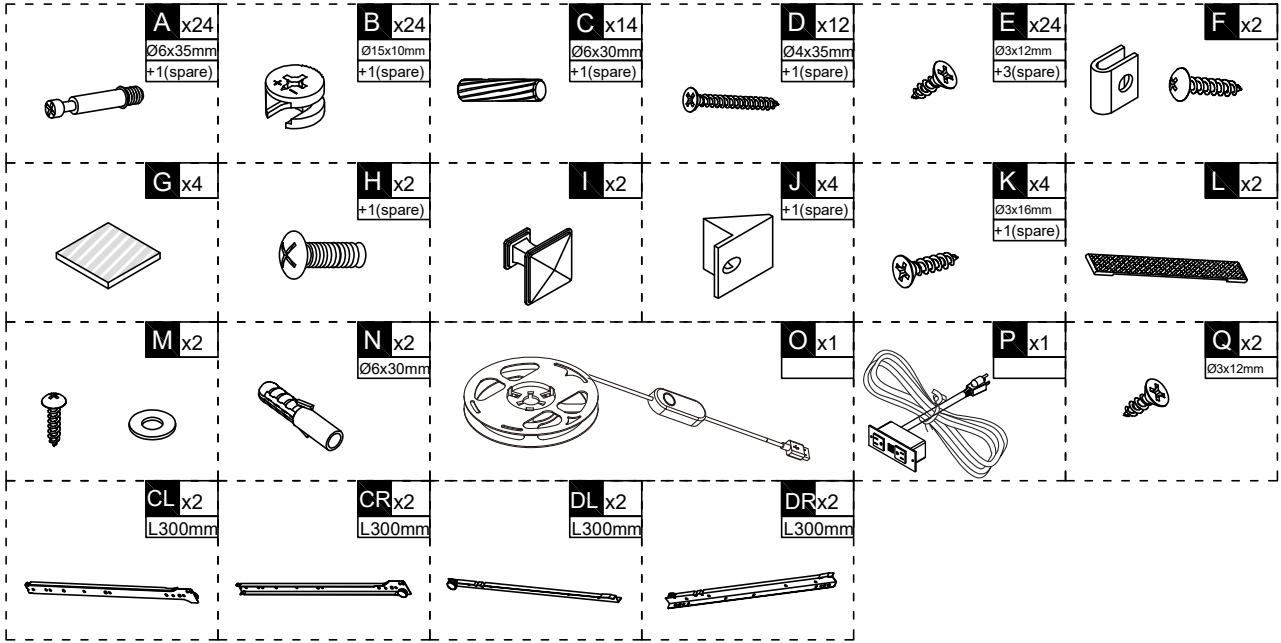
PACKING DELALS

NO.	PARTS	QTY	SPARE
①		x1	
②		x1	
③		x1	
④		x1	
⑤		x1	
⑥		x1	
⑦		x1	

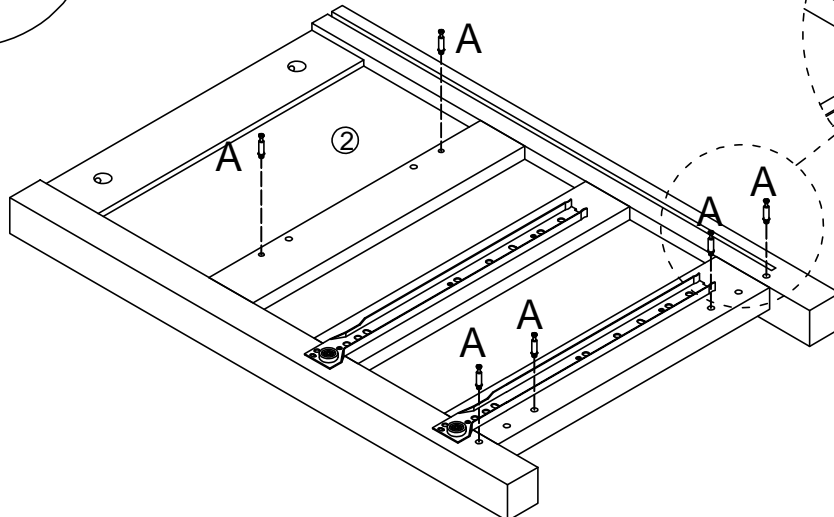
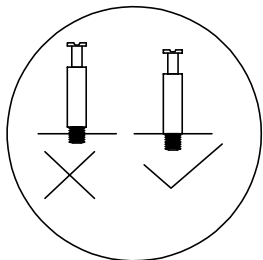
NO.	PARTS	QTY	SPARE
⑧		x1	
⑨		x2	
⑩		x2	
⑪		x2	
⑫		x2	
⑬		x2	
	 Hardware Kit		



x2



A x6
Ø6x35mm



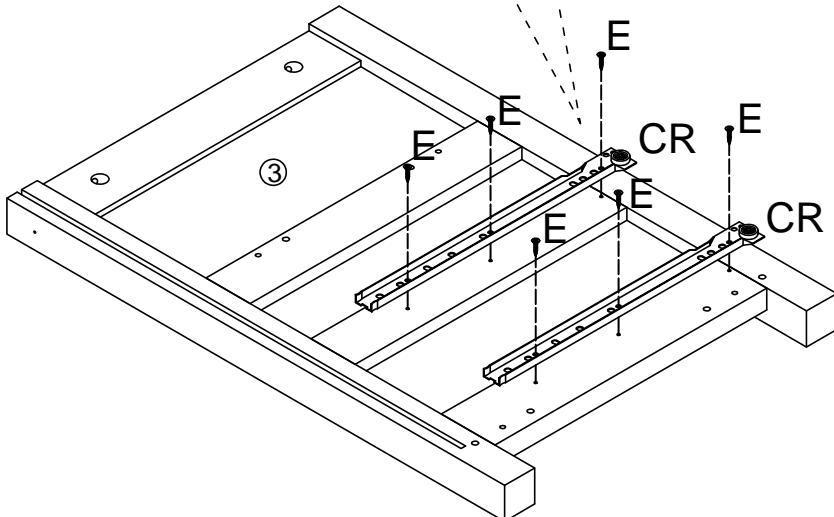
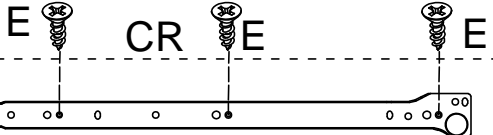
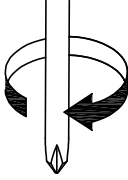
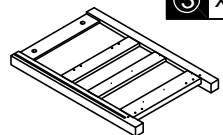
E x6
Ø3x12mm



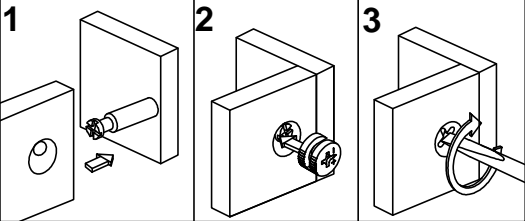
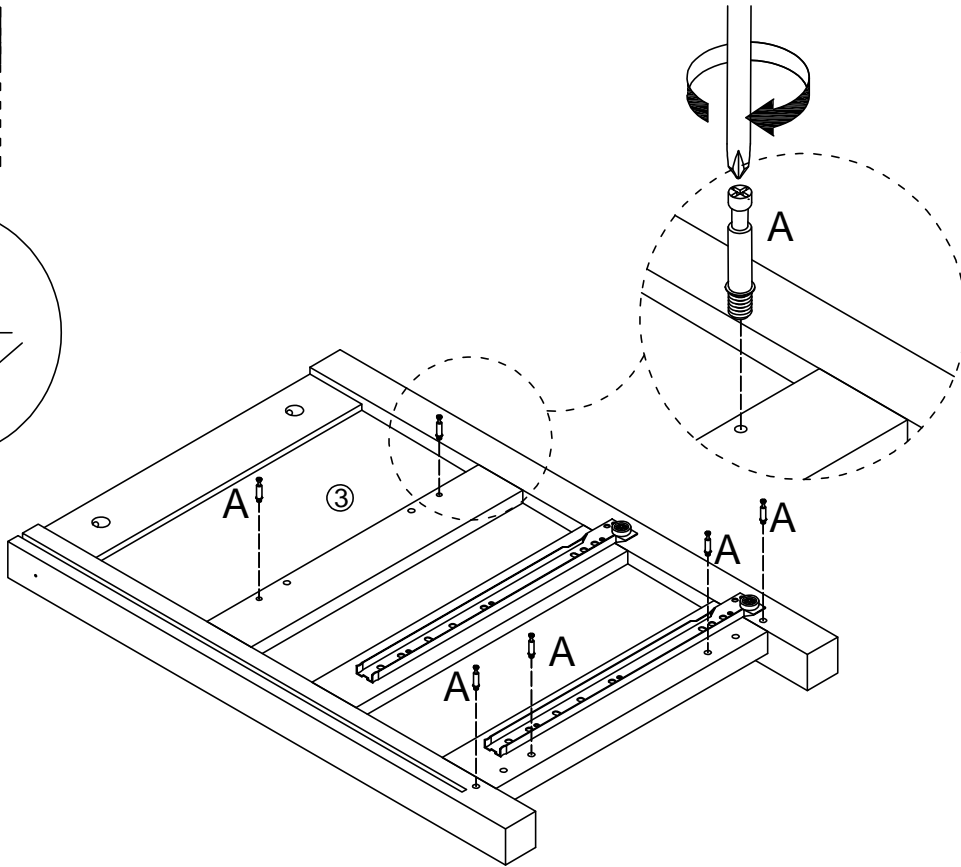
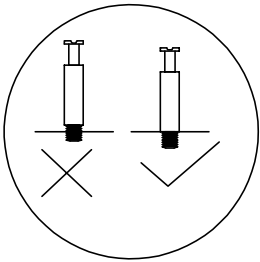
CR x2
L.300mm



3 x1



A x6
Ø6x35mm

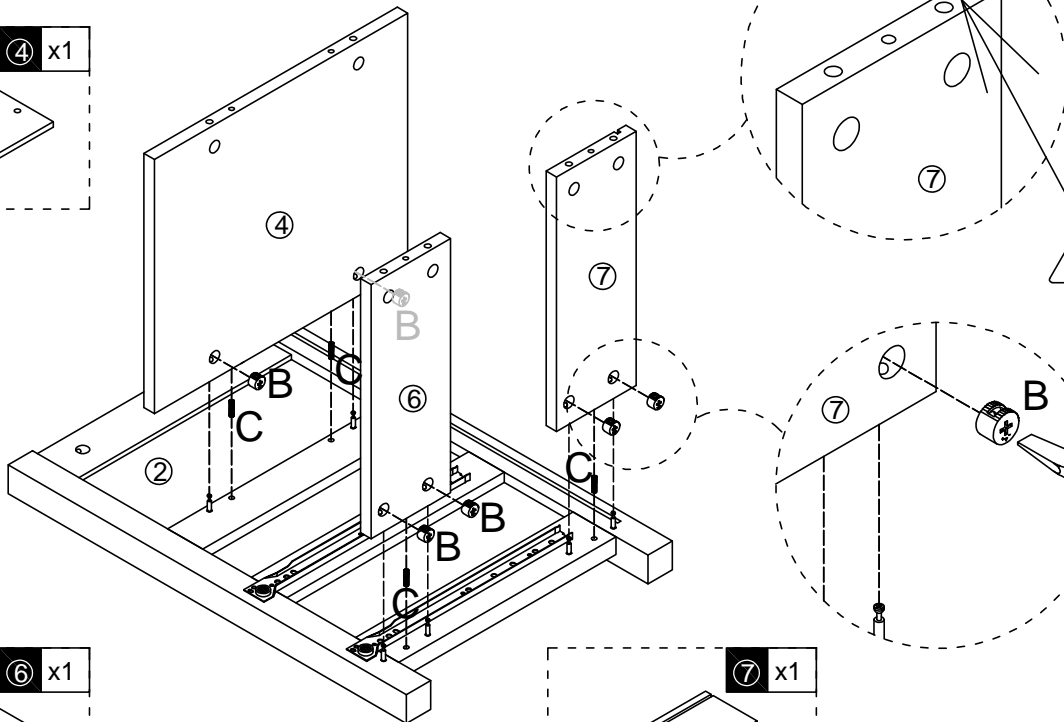
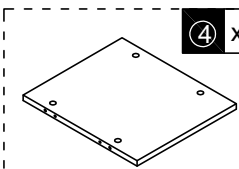


B x6
Ø15x10mm

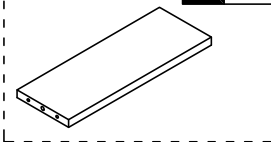
C x4
Ø6x30mm



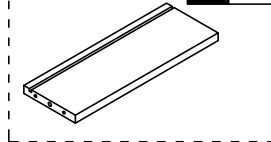
4 x1

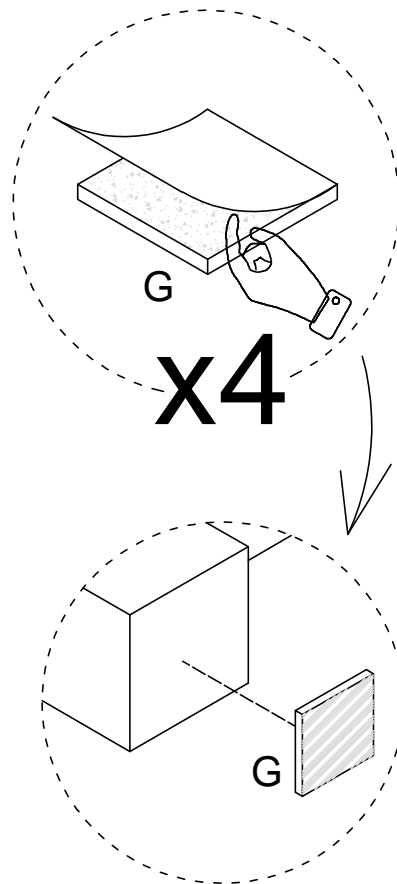
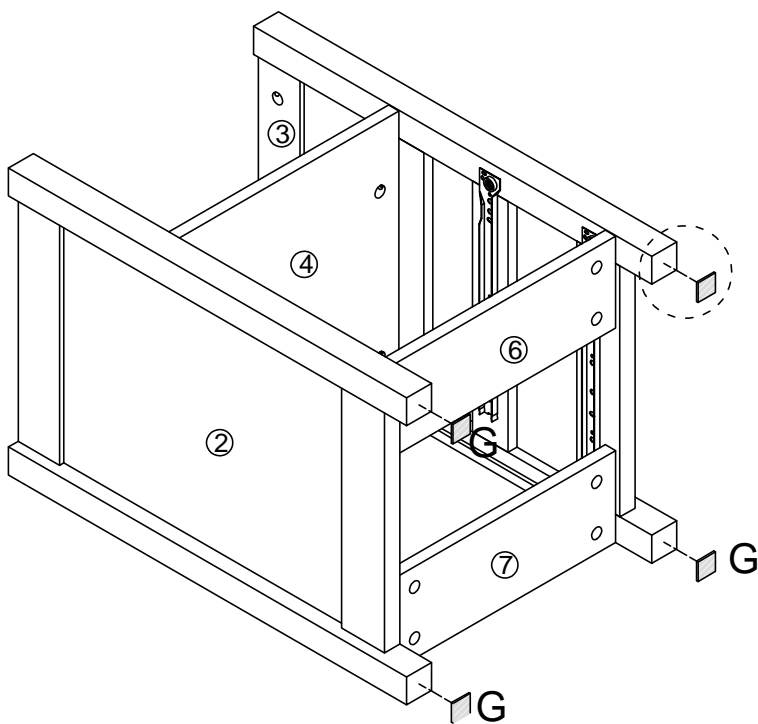
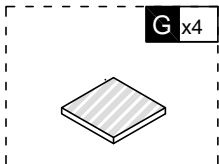
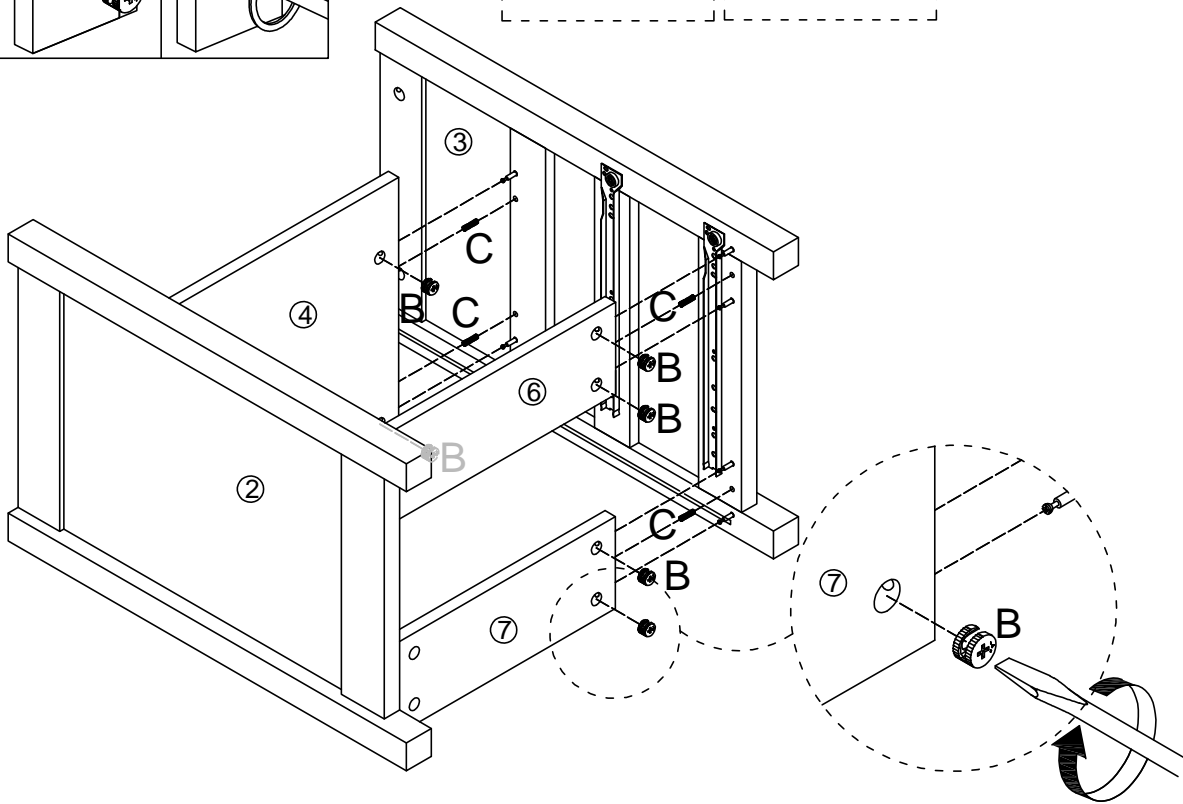
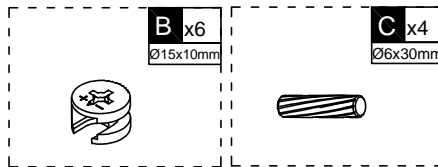
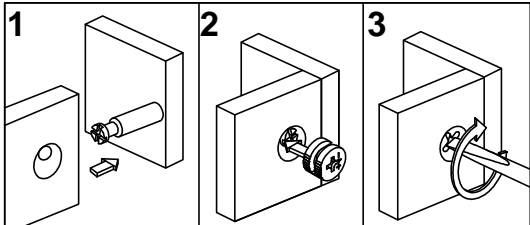


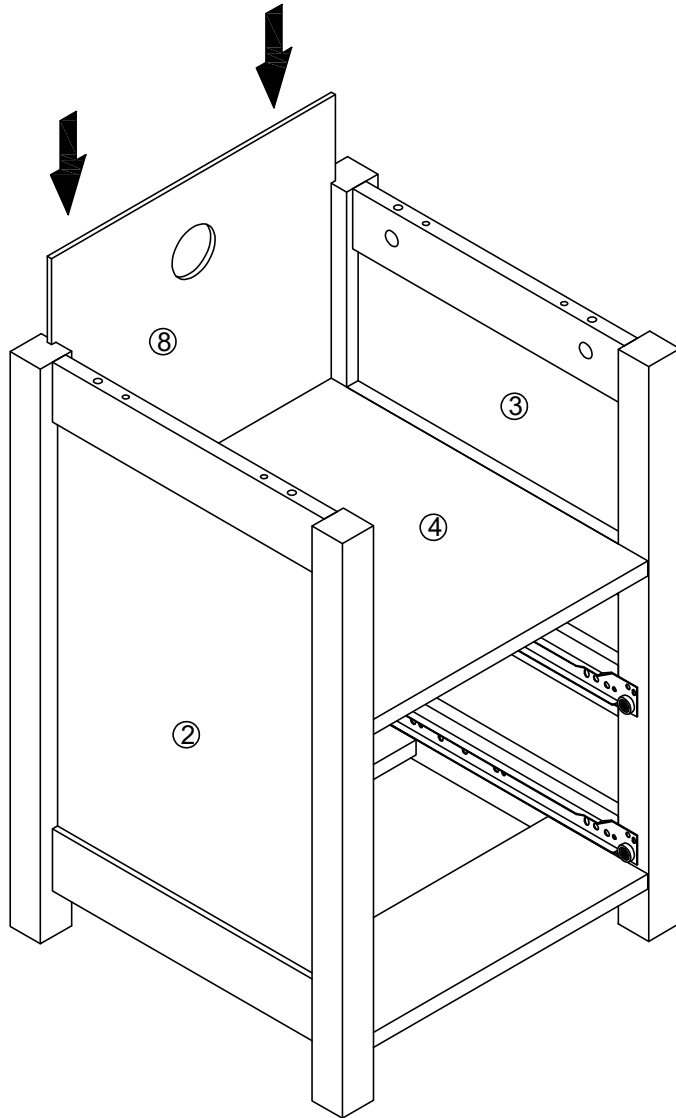
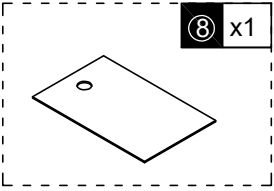
6 x1

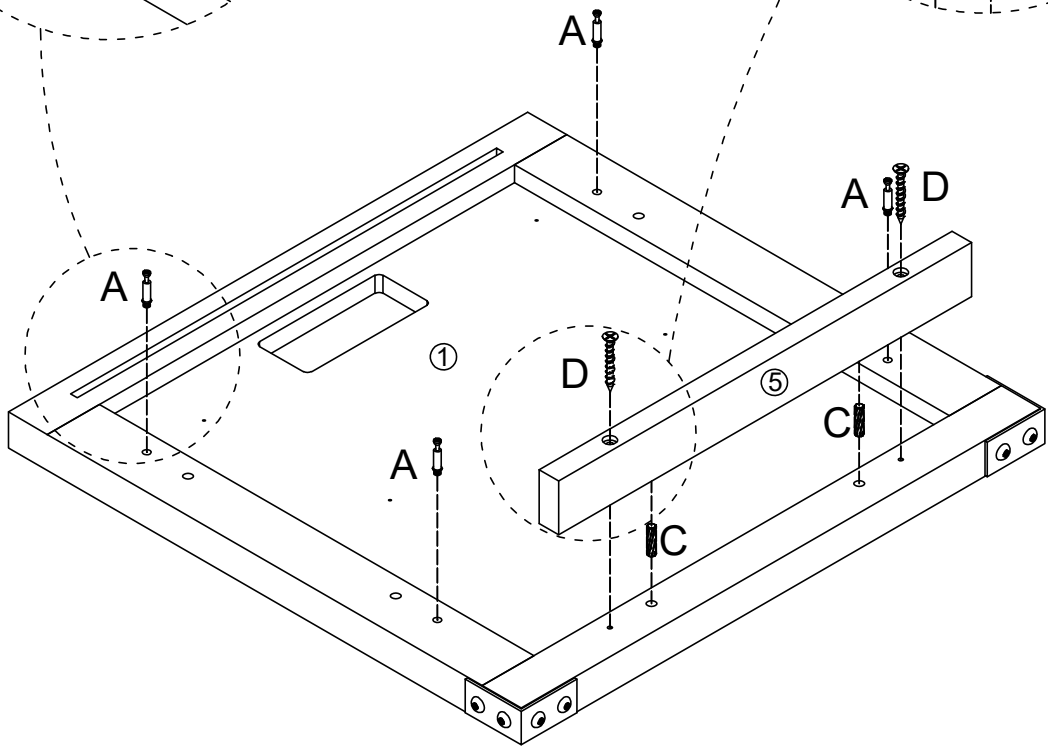
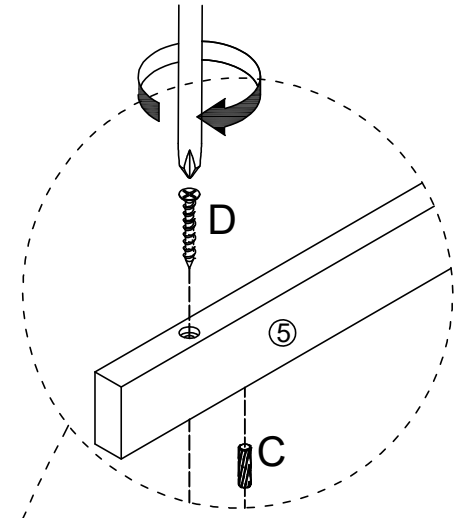
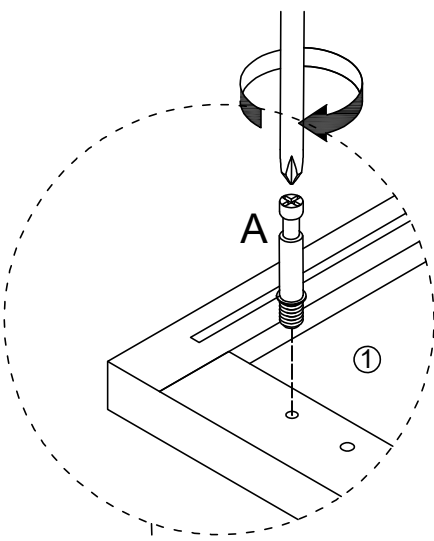
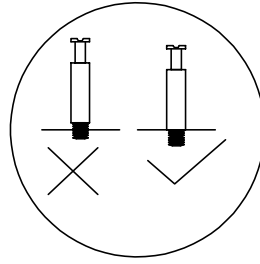
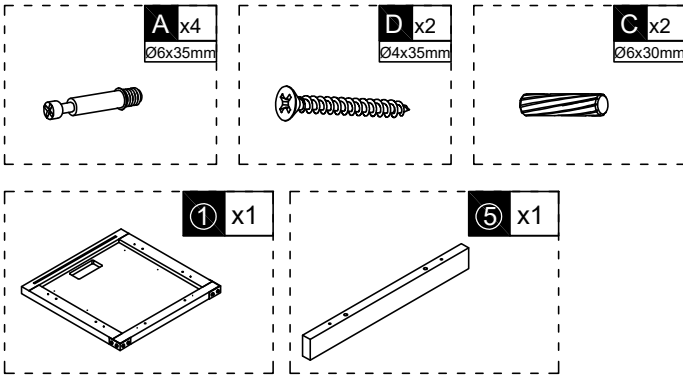


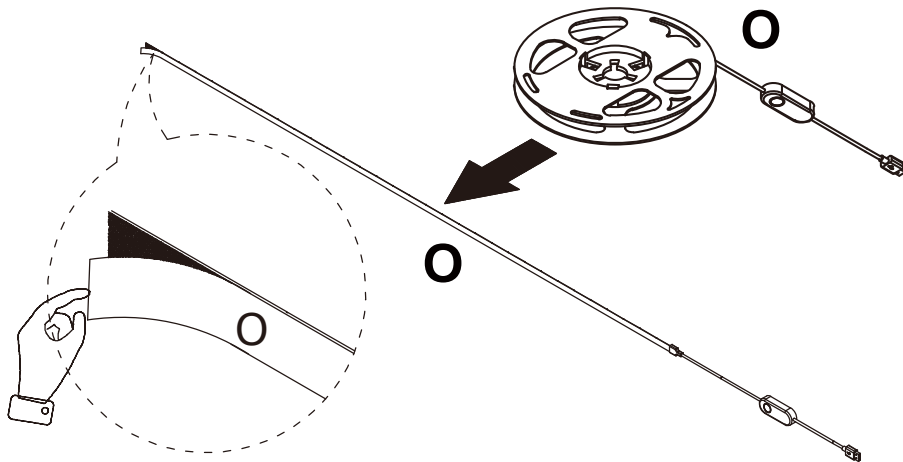
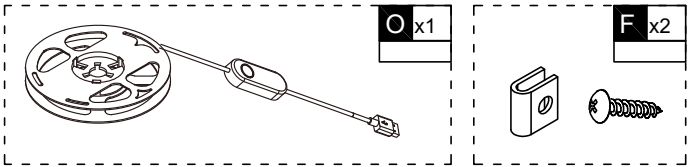
7 x1





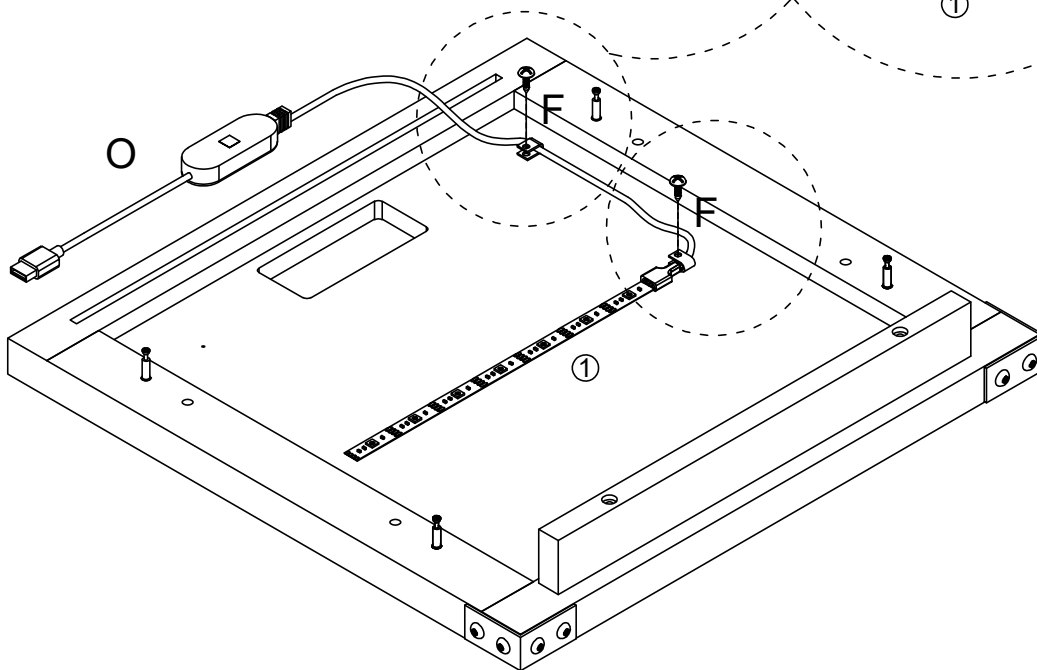
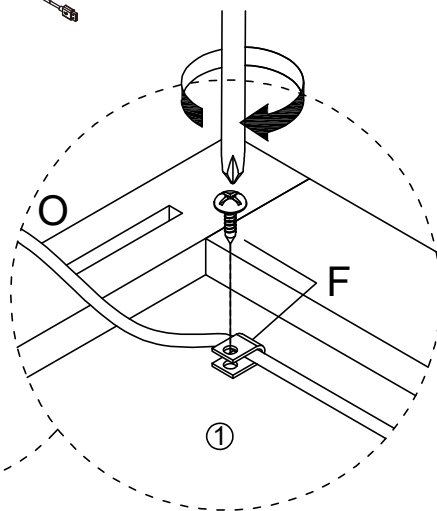


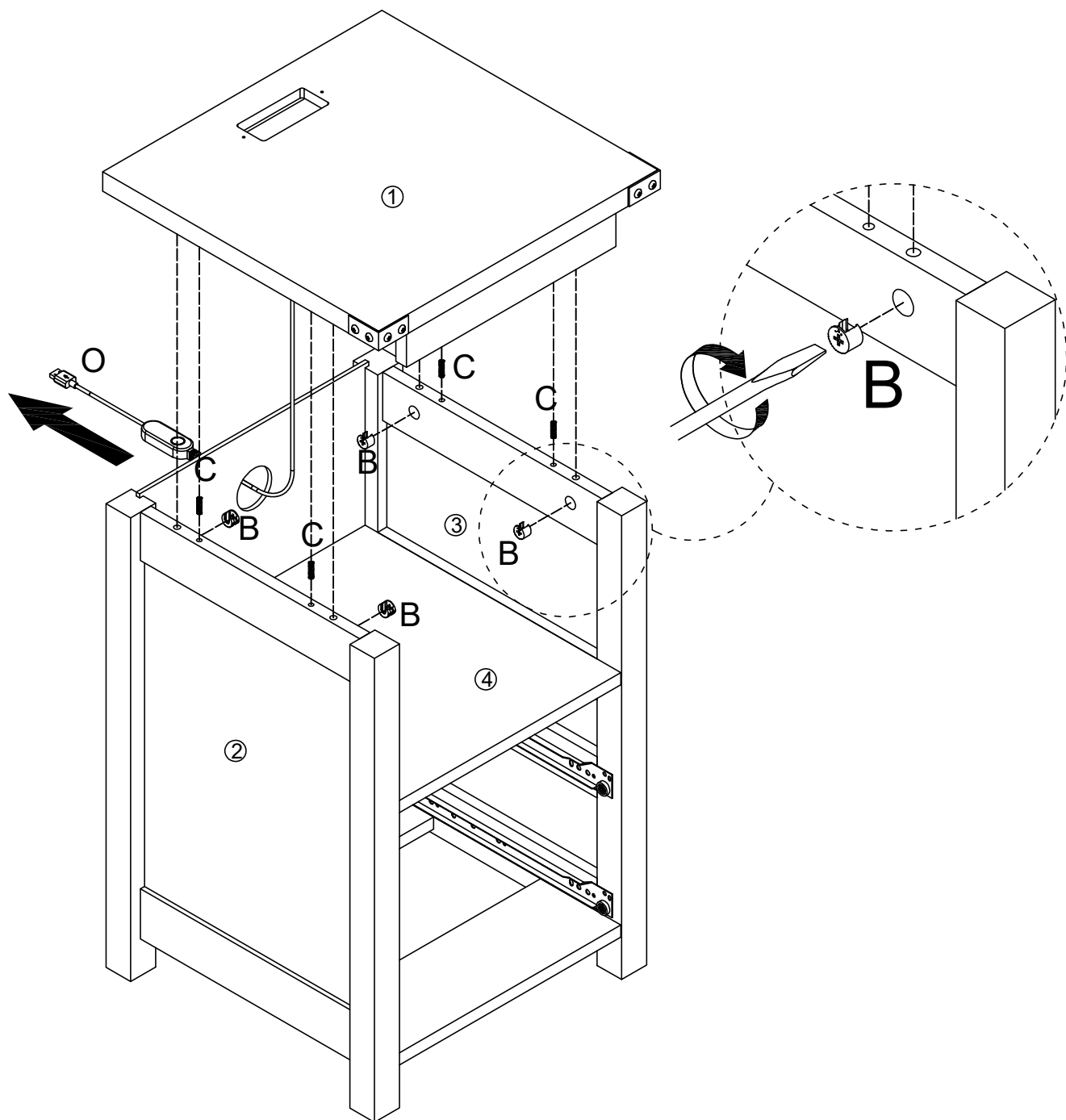
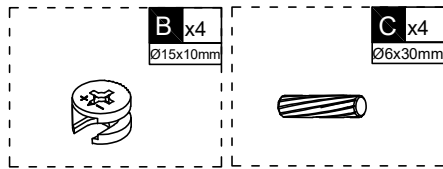
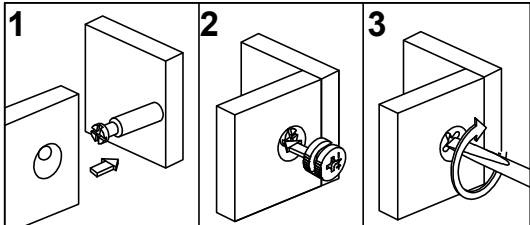


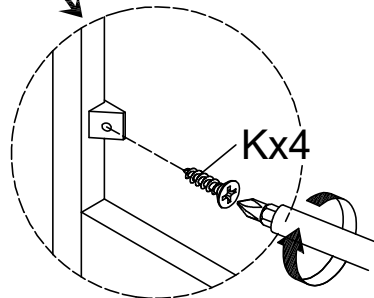
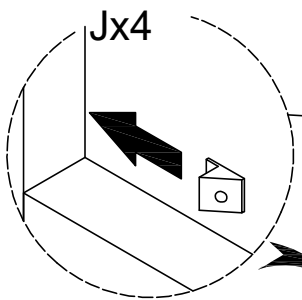
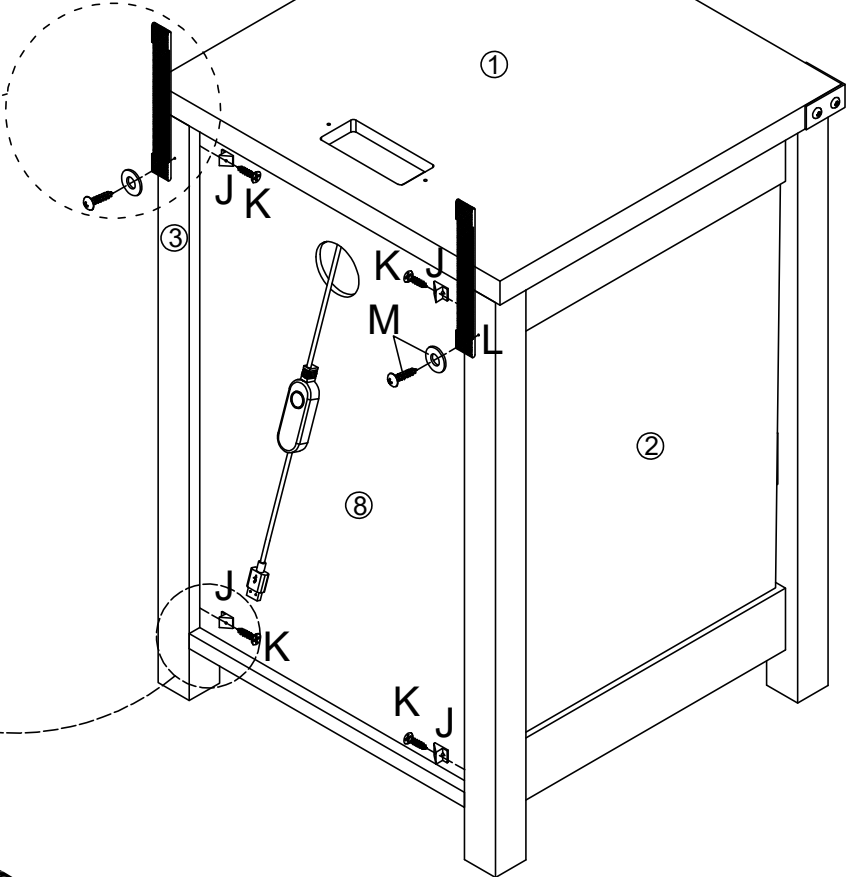
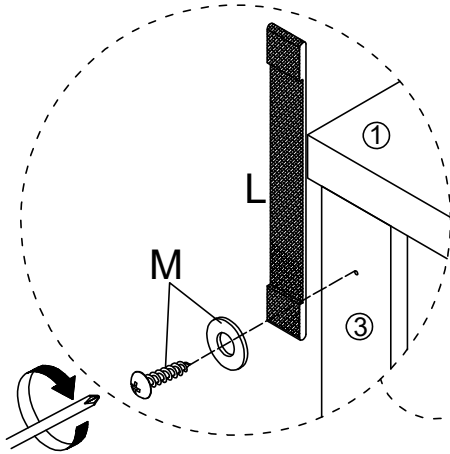
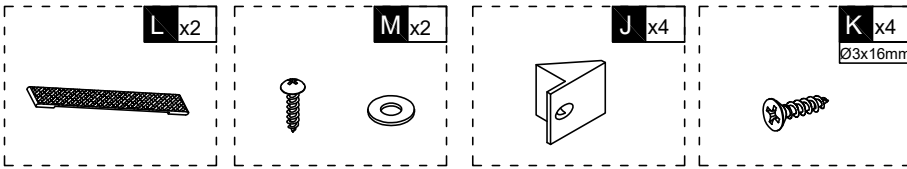


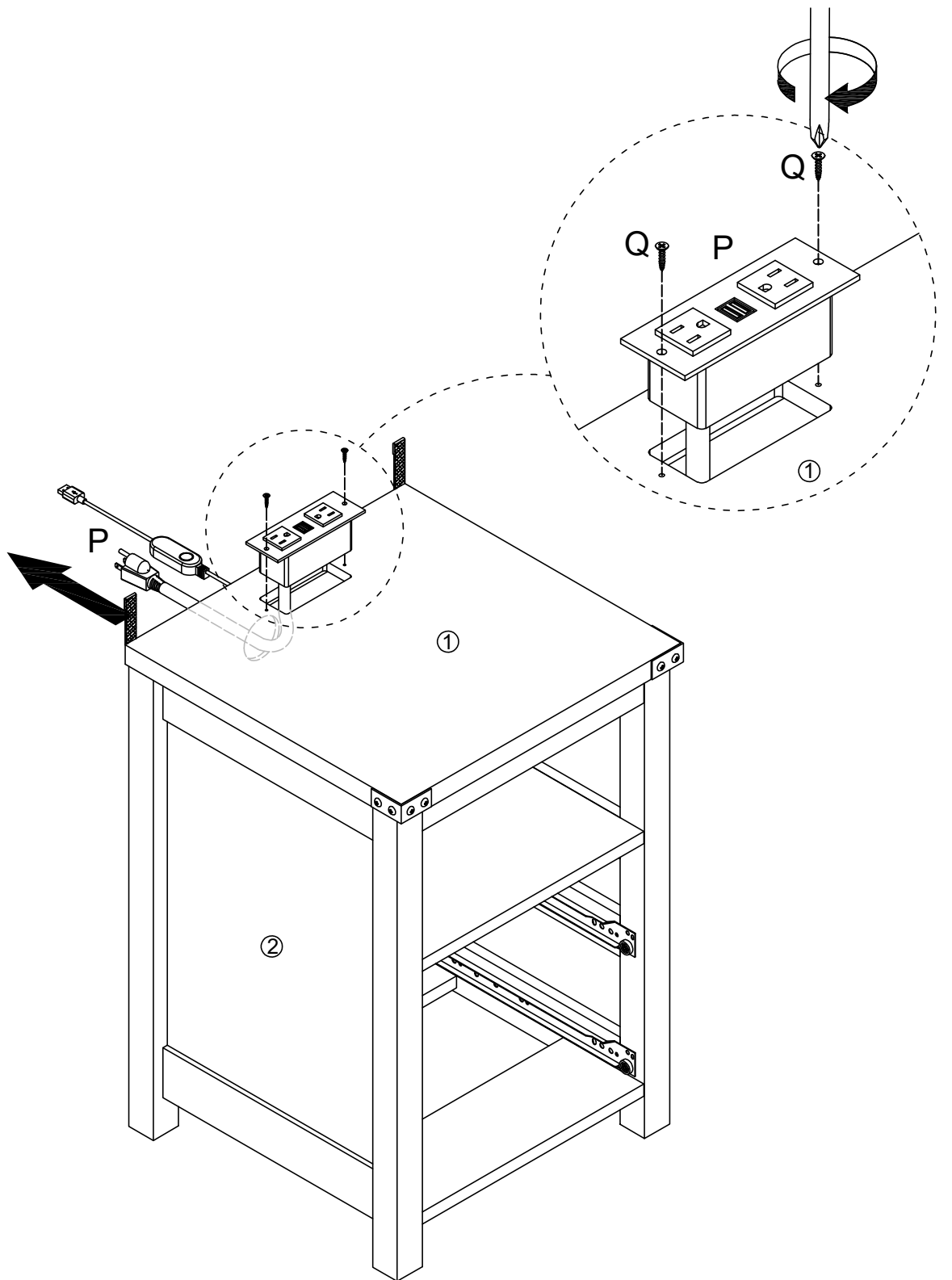
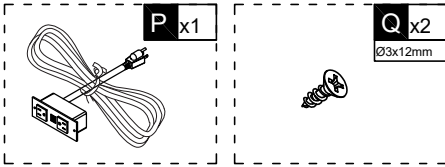
light bar

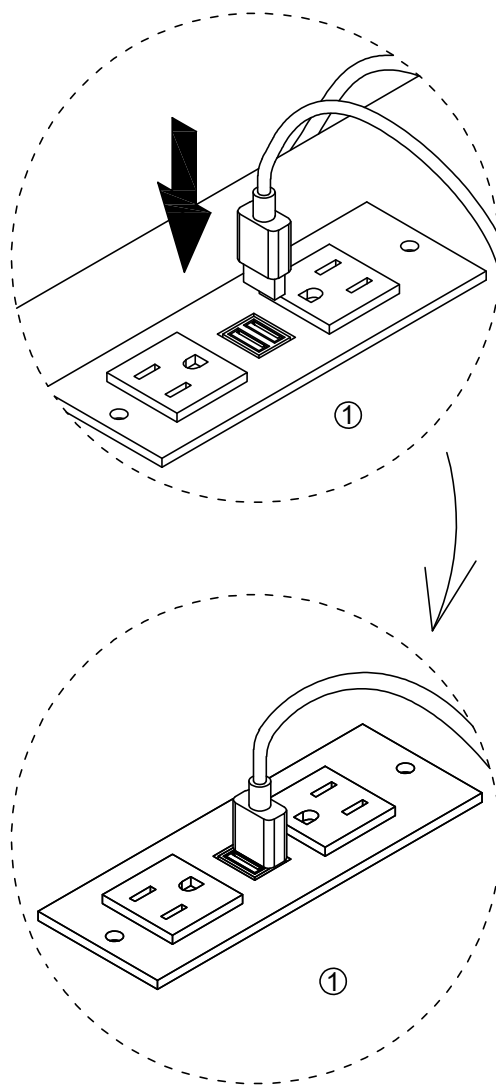
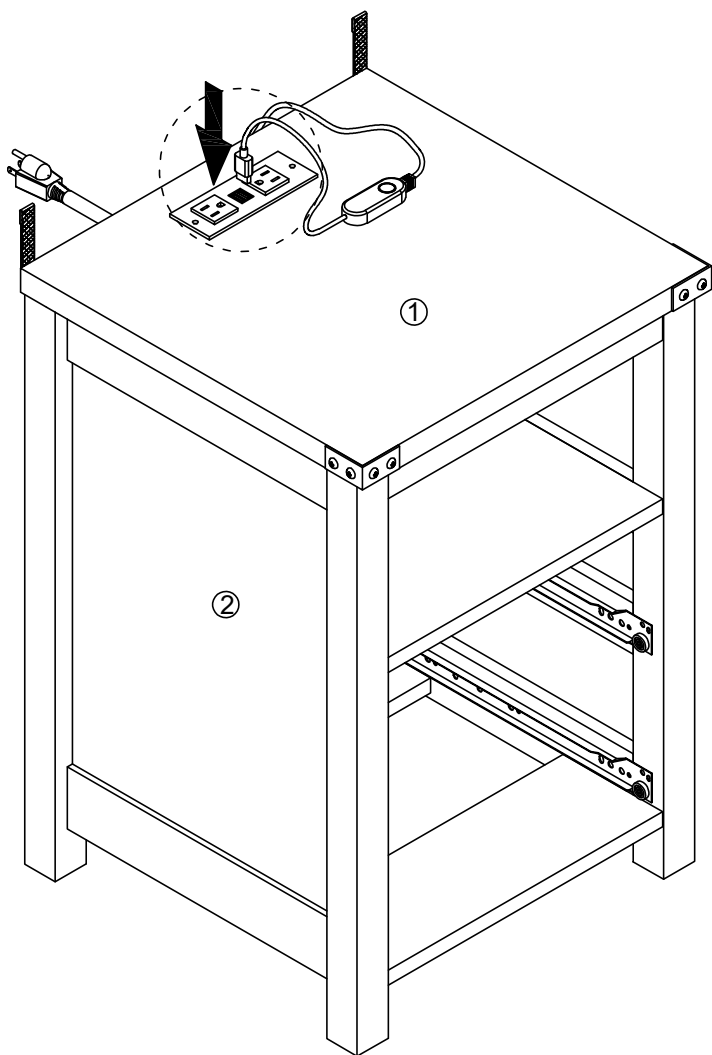
According to the actual length,
cut the excess light strip or keep it

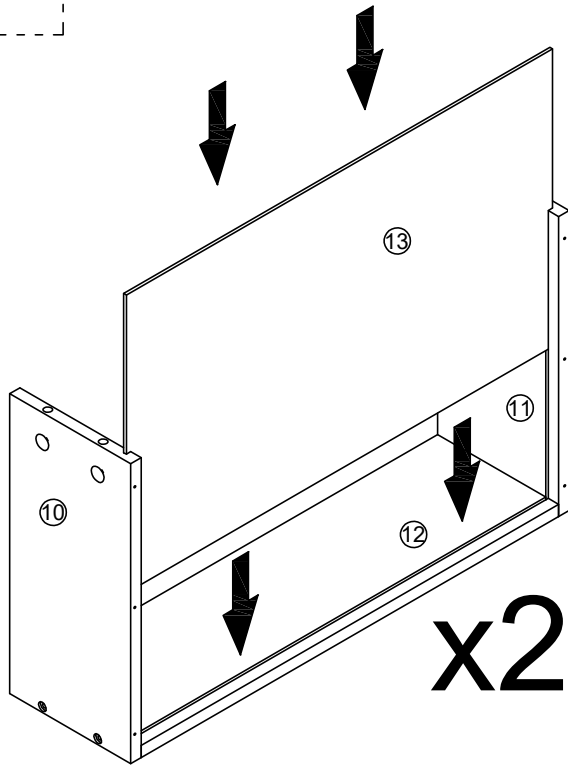
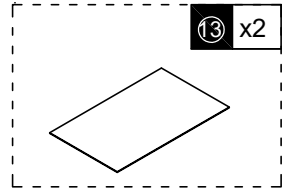
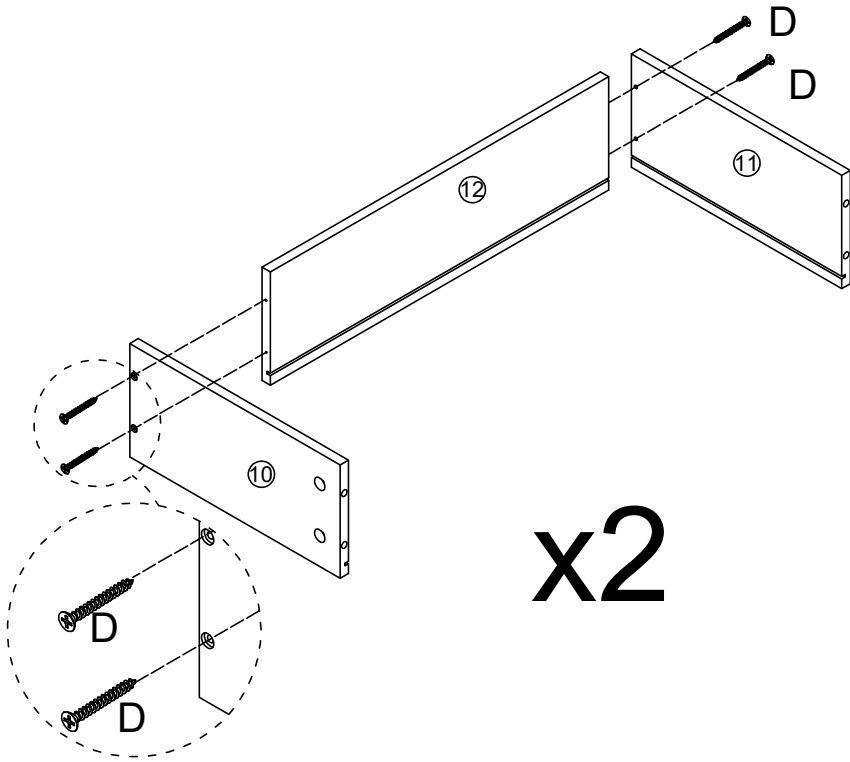
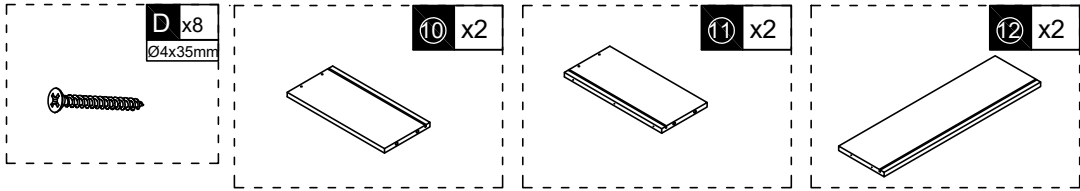


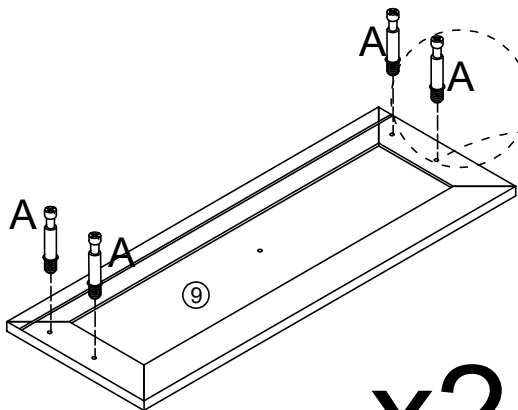
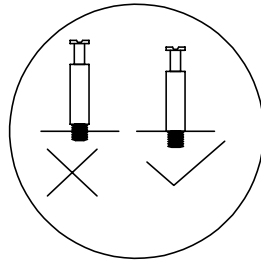
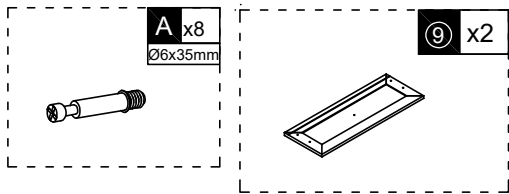




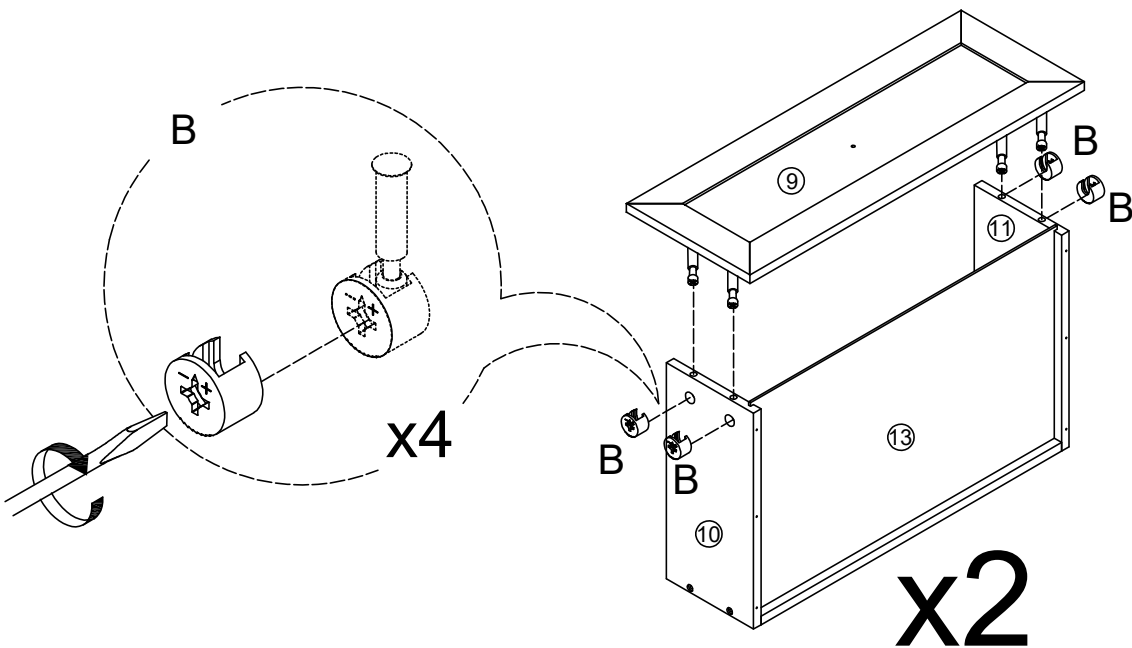
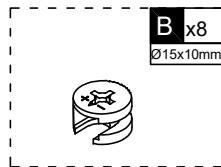
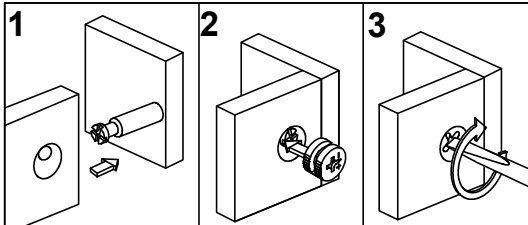
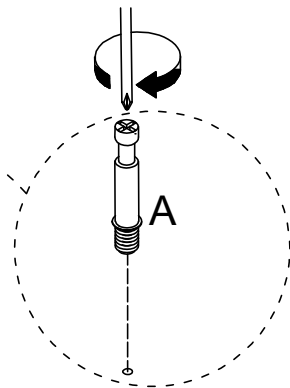






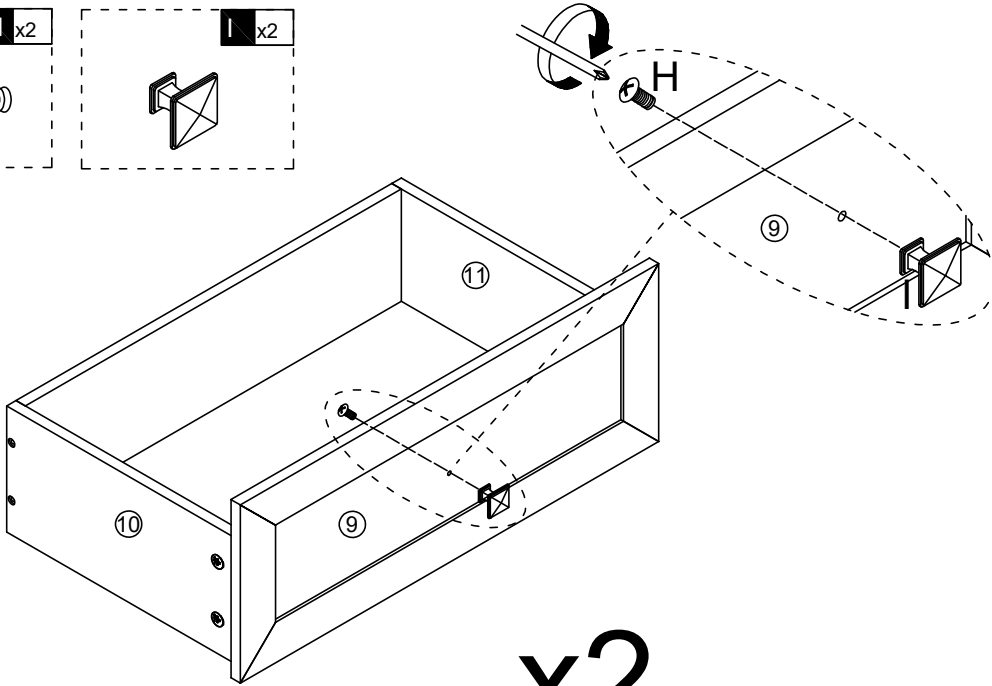
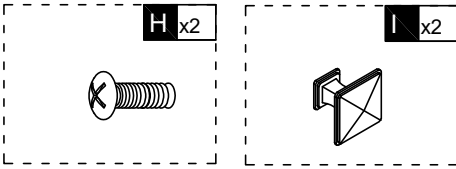


x2

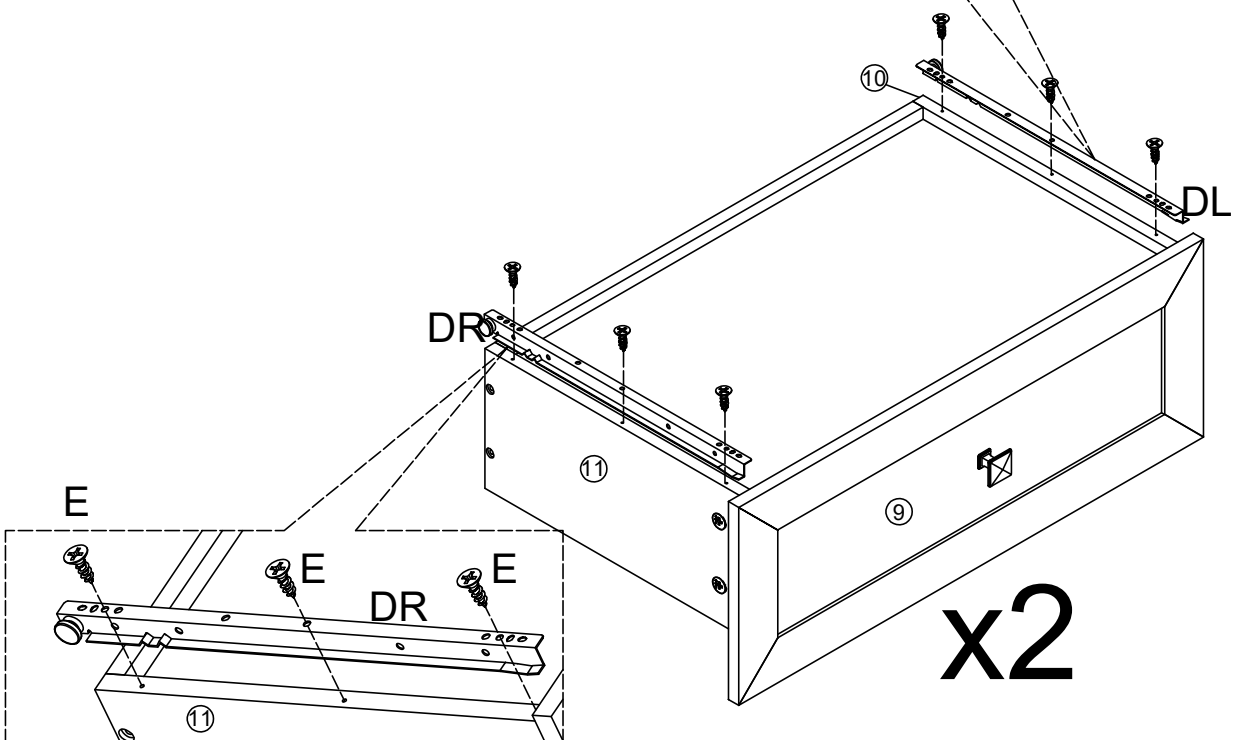
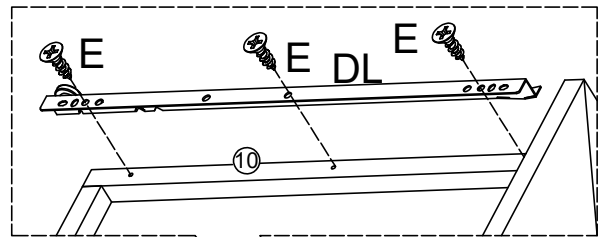
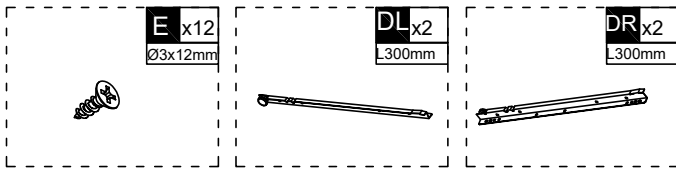


x4

x2

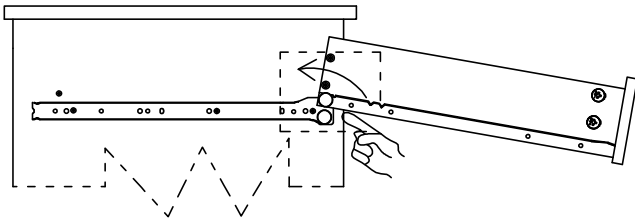


x2

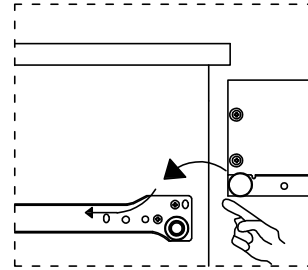
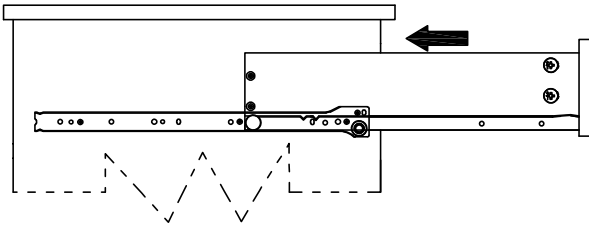


x2

(1)



(2)



x2

