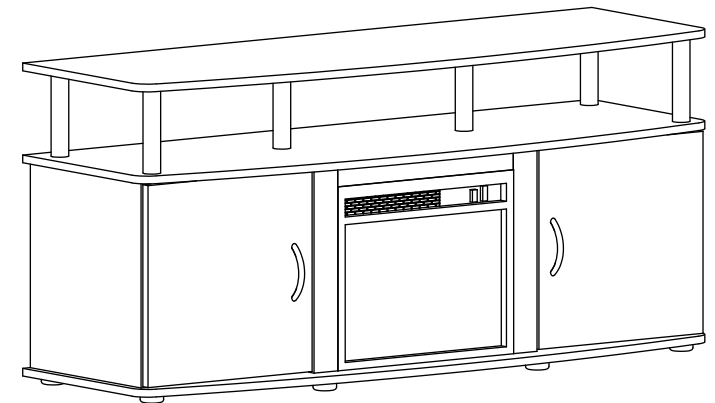
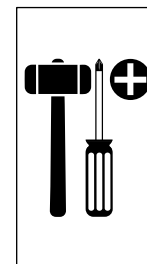
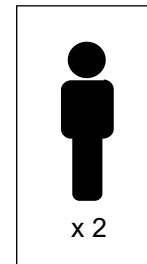
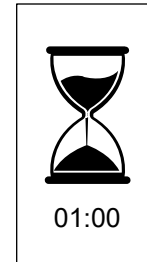
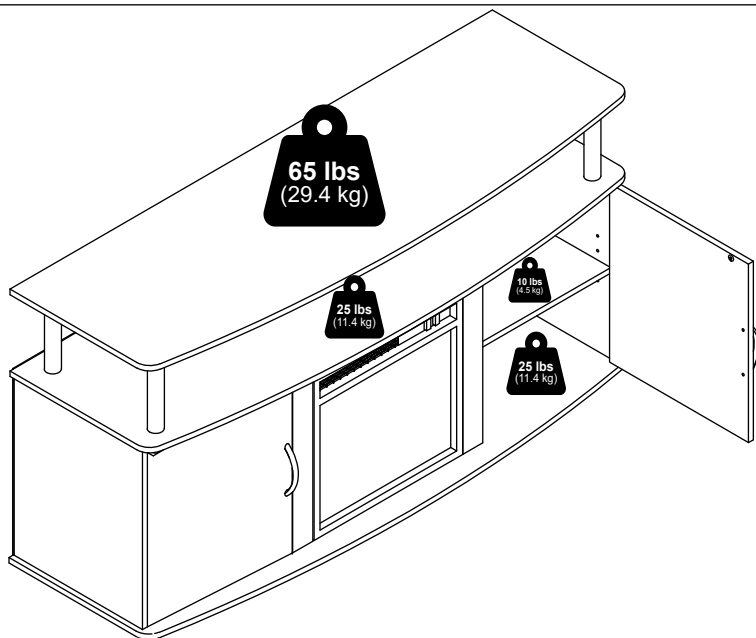
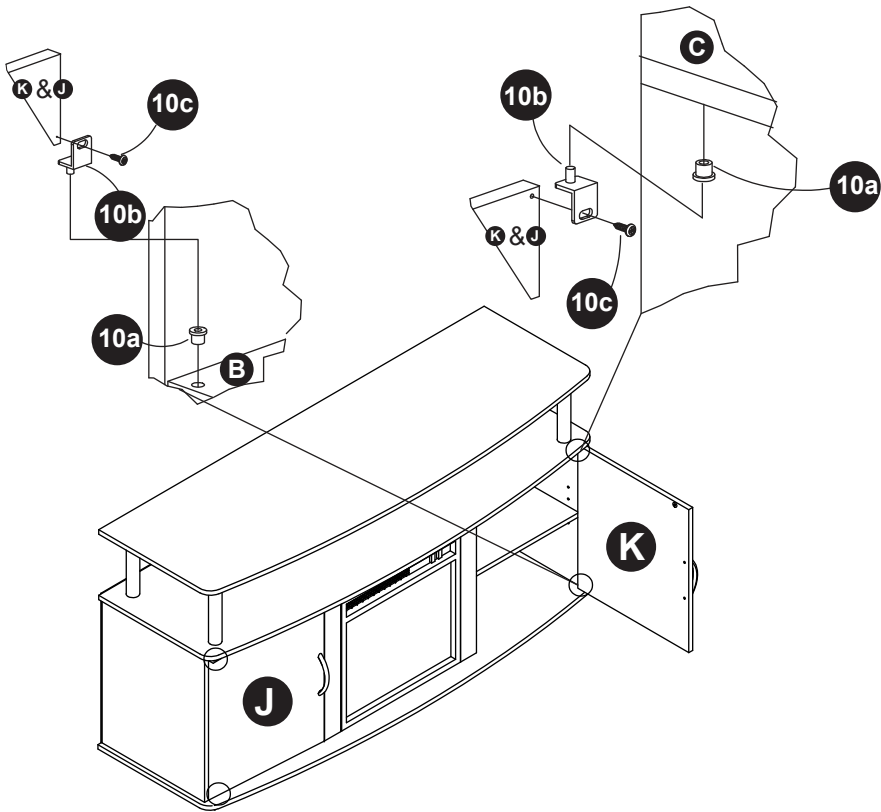
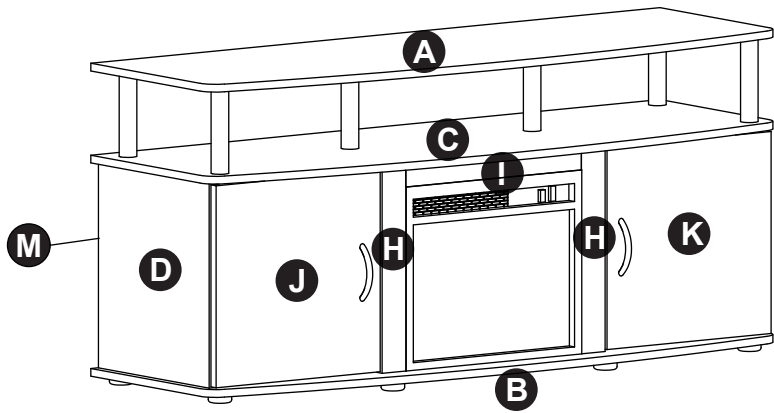


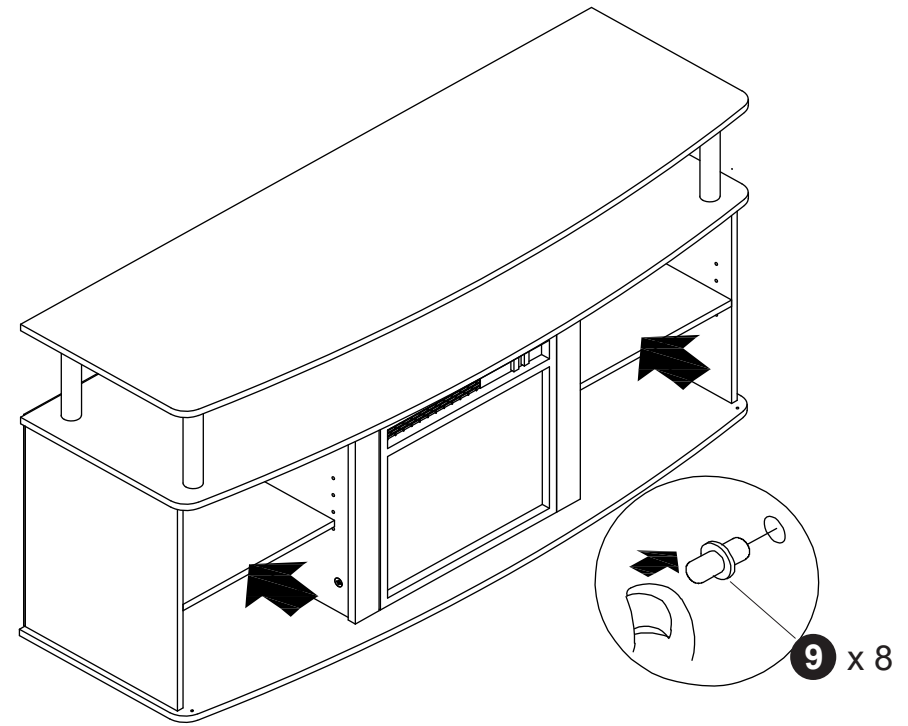
19



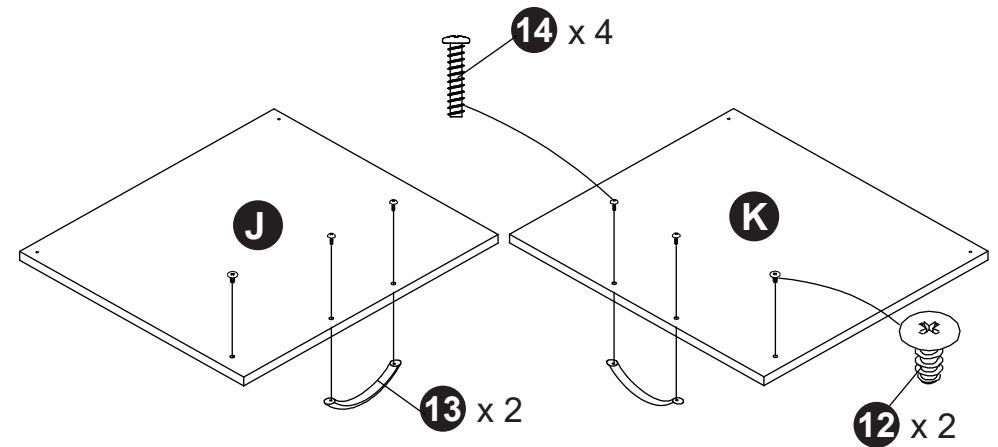


<b>1</b> x 12  M8 x 24mm	<b>2</b> x 12  12mm	<b>3</b> x 16  M6 x 20mm	<b>4</b> x 8  M5 x 40mm
<b>5</b> x 28  2.5 x 18mm	<b>6</b> x 9  M4 x 11mm	<b>7</b> x 2  17 X 22mm	<b>8</b> x 1  1.2 x 24 x 90mm
<b>9</b> x 8  5 x 6 x 16mm	<b>10</b> x 4    a b c	<b>11</b> x 2 	<b>12</b> x 2  M5 x 6mm
<b>13</b> x 2  131 x 26mm	<b>14</b> x 4  M3.6 x 19mm	<b>15</b> x 6  Ø34 x 8mm	<b>16</b> x 6  Ø30 x 162mm
<b>17</b> x 7  Ø40 x 14mm	<b>18</b> x 1 	<b>19</b> x 6  34 x 2mm	<b>20</b> x 1 

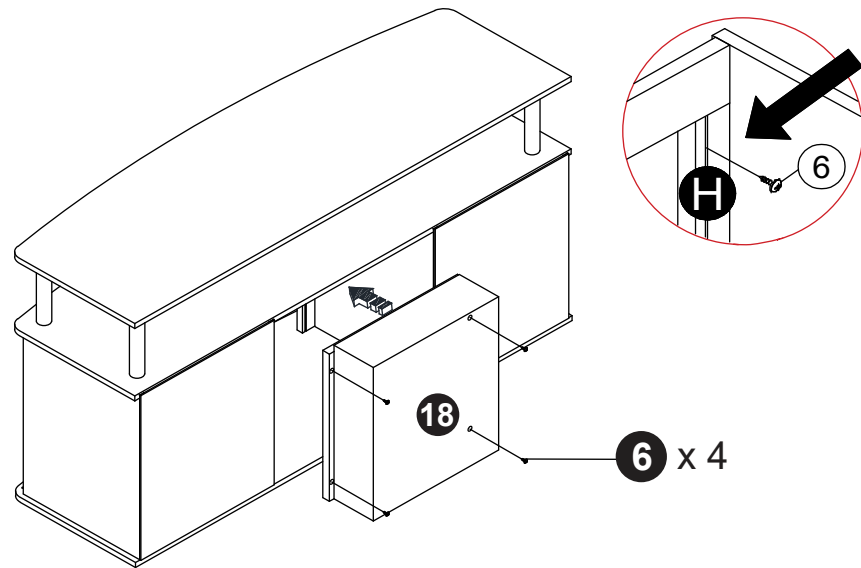
**13**



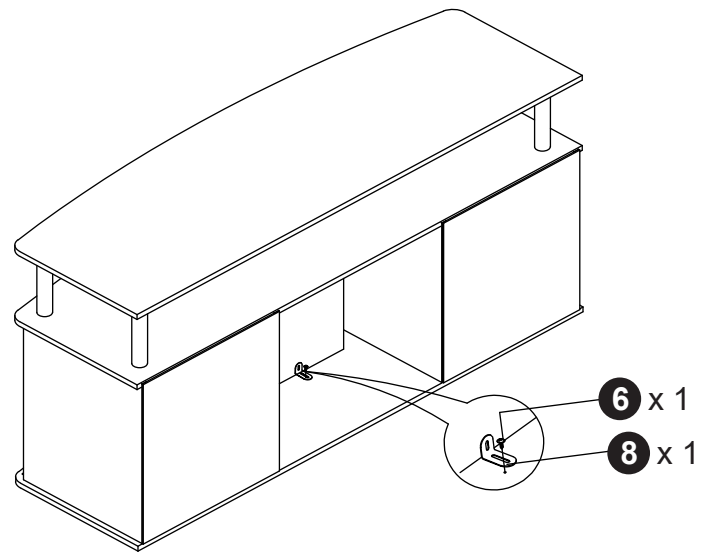
**14**



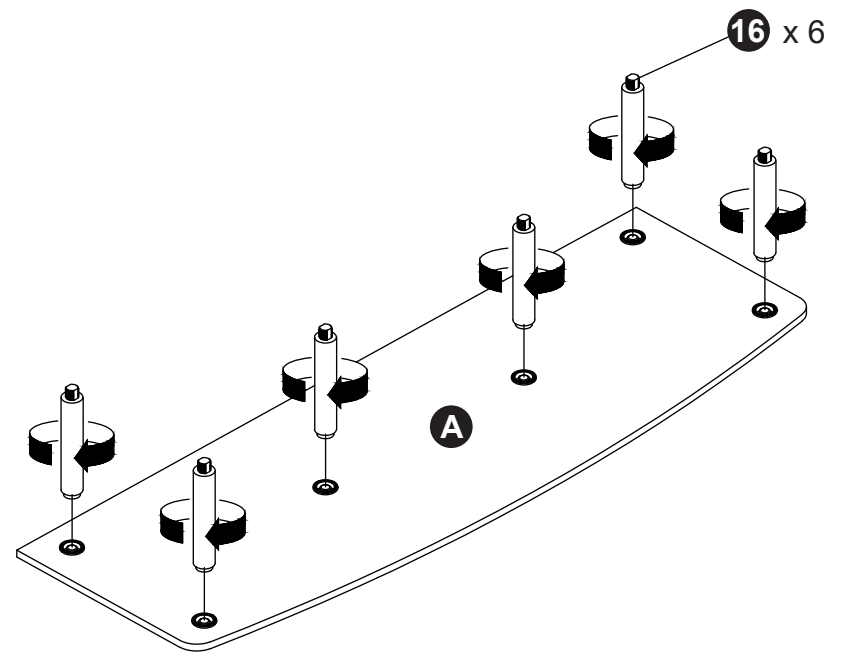
11



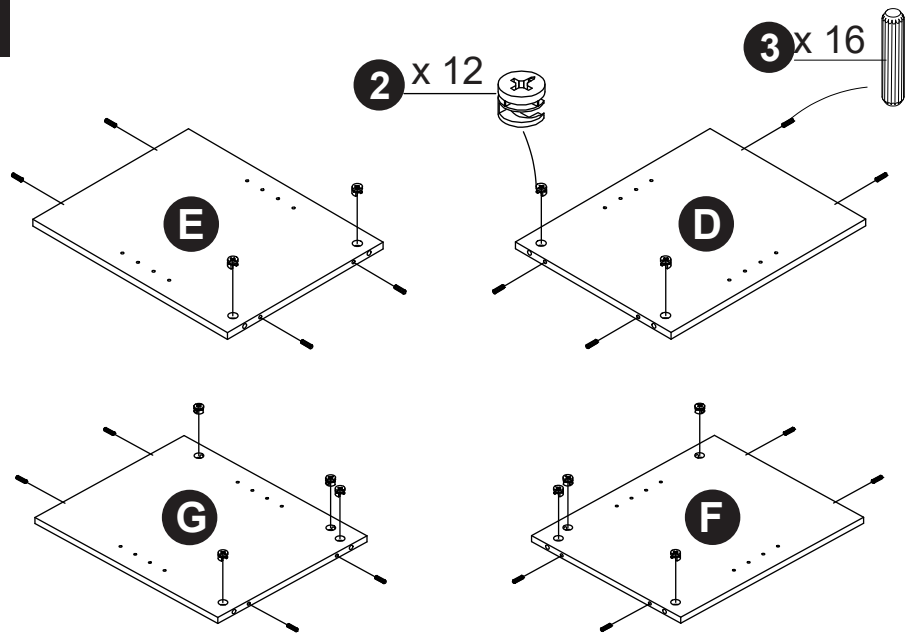
12

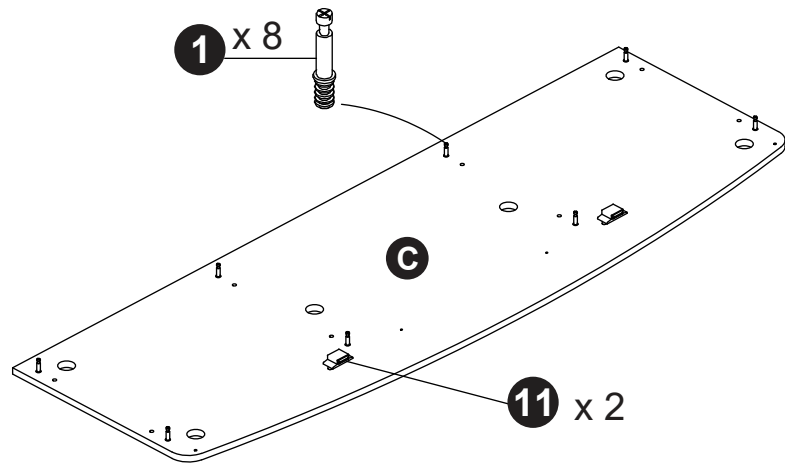
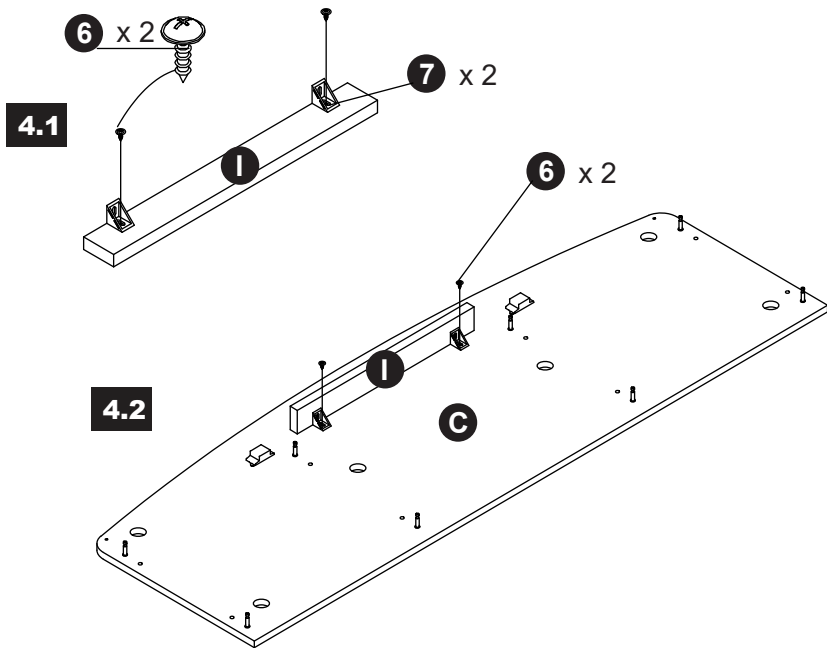


1

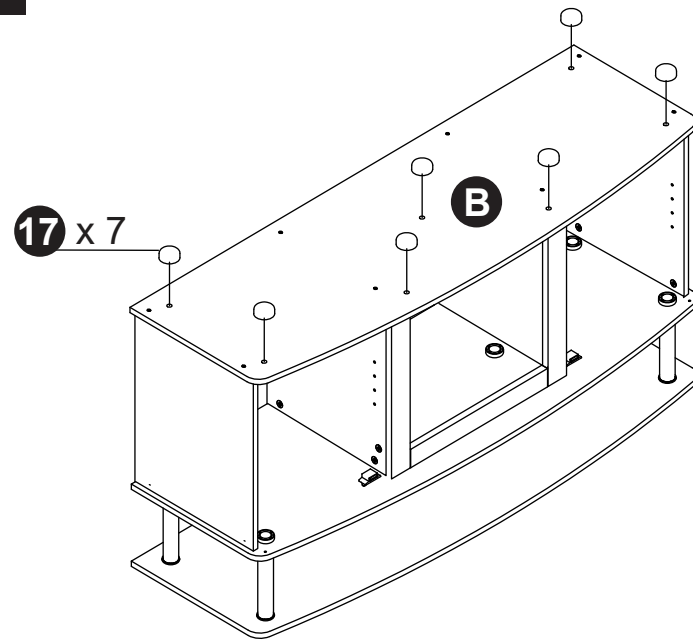
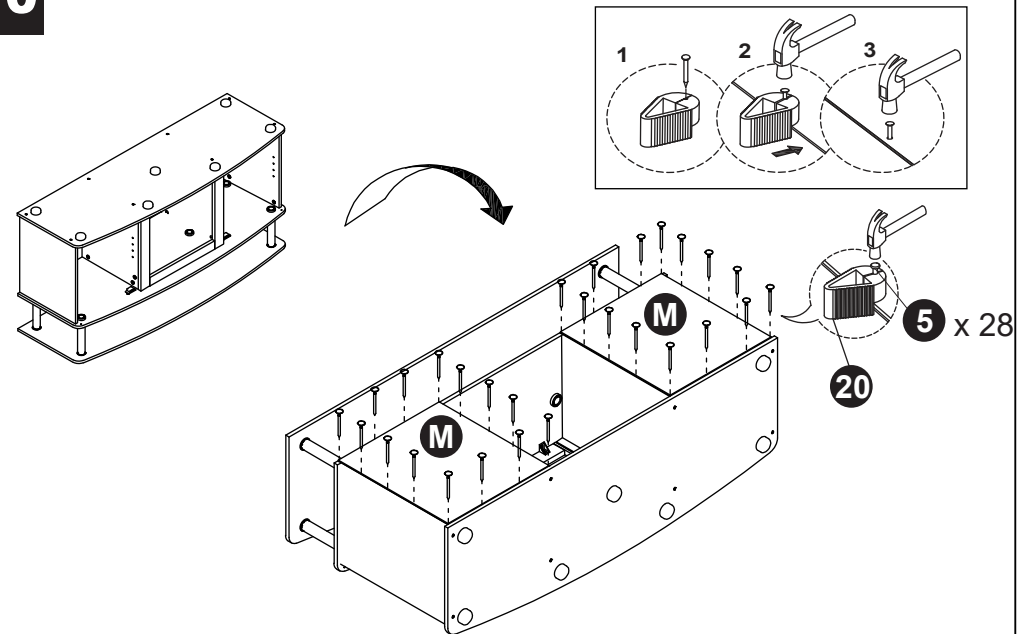


2

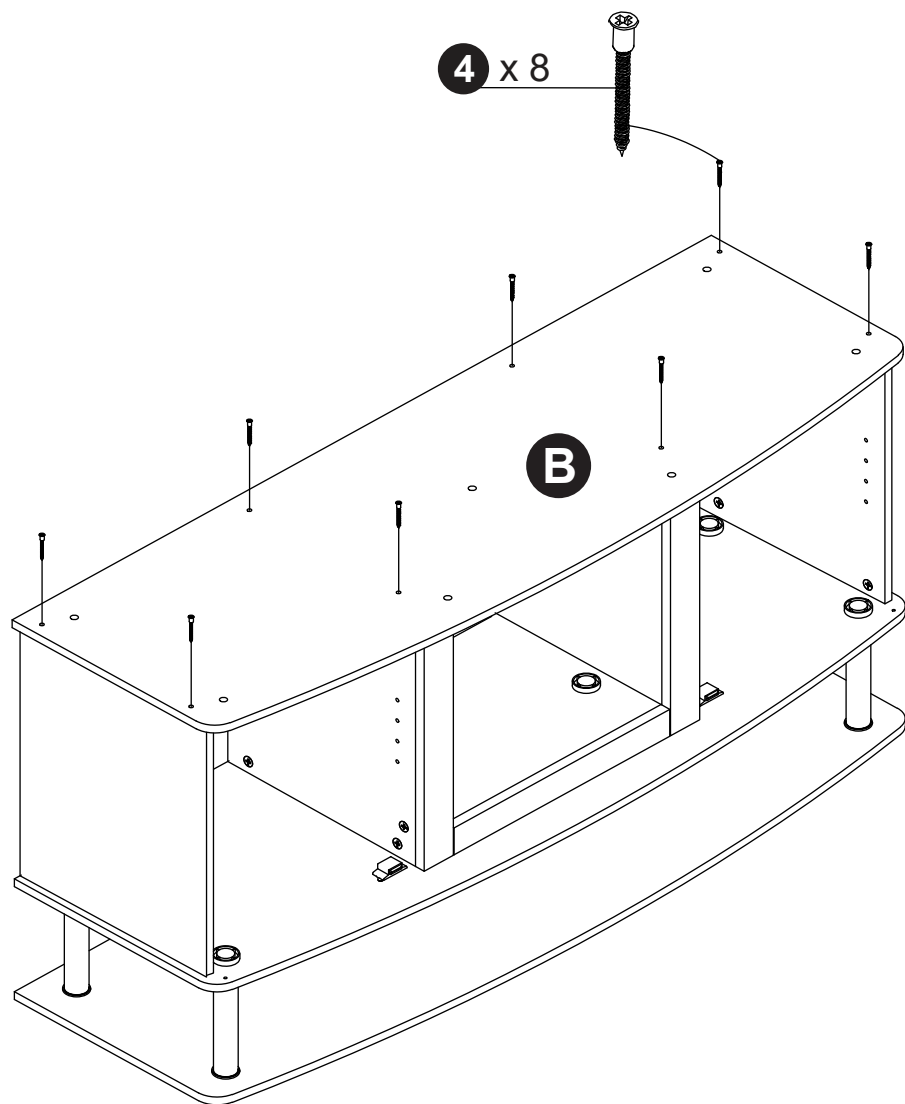


**3****4**

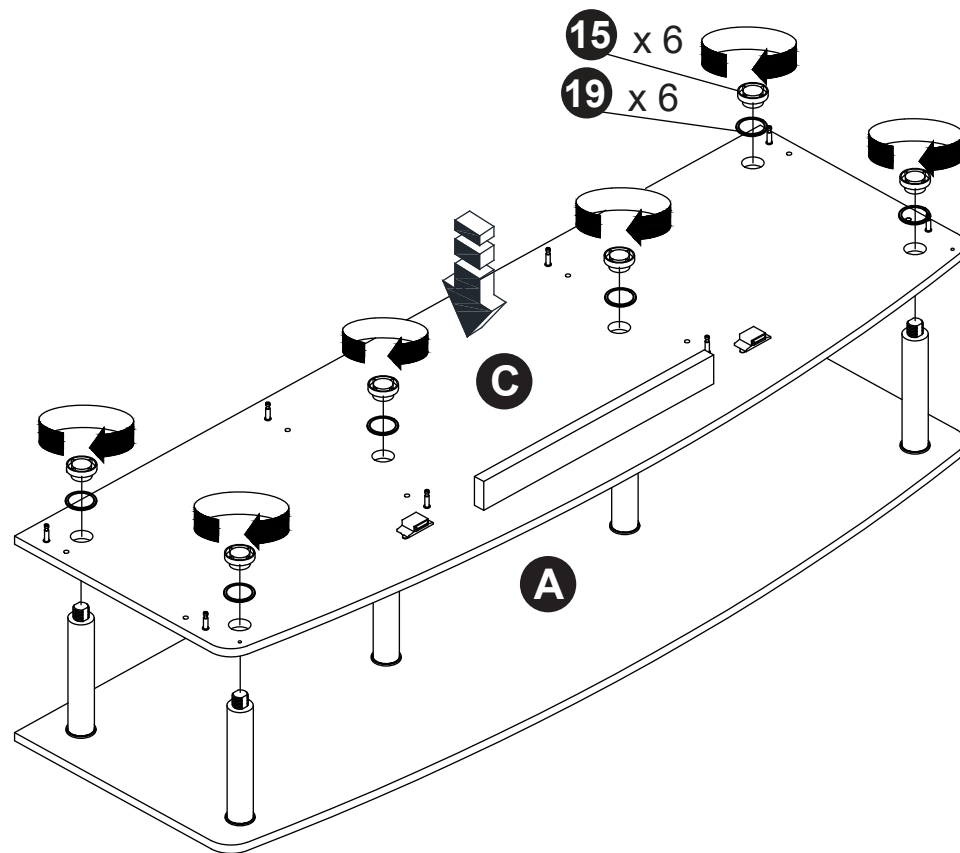
4

**9****10**

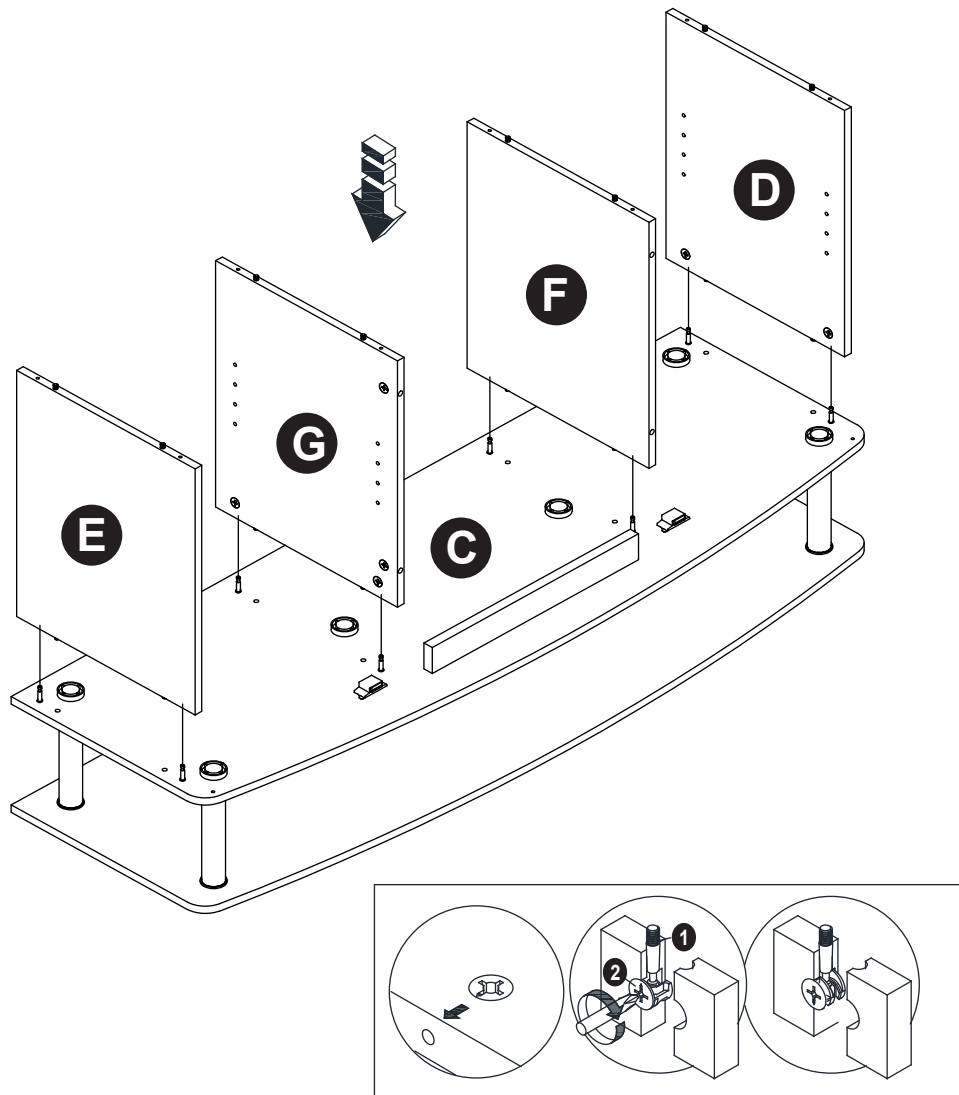
9

**8**

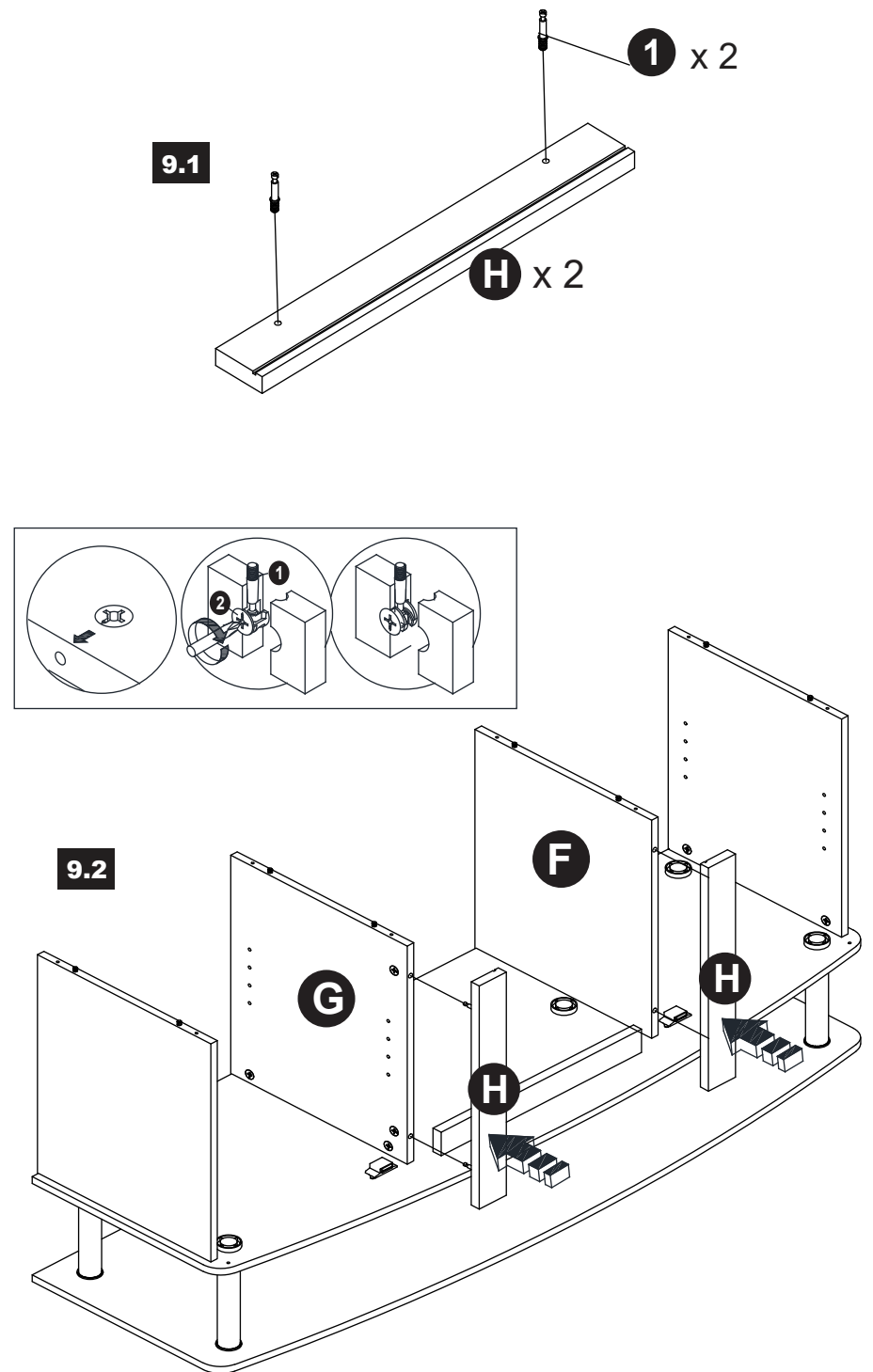
8

**5**

5

**6**

6

**7**

7