

CARE AND MAINTENANCE

Store outdoor furniture indoors or cover well when not in use.

Remove wooden furniture from standing water. Dust regularly with small brush or vacuum

Spills should be taken care of immediately before they harden or stain with a slightly dampened sponge.

NOTICE

- * Please make sure that you have all parts indicated before you begin assembly of this item
- * This item should be assembled on a soft surface to prevent scratching the finish during assembly
- * This item may require periodic tightening

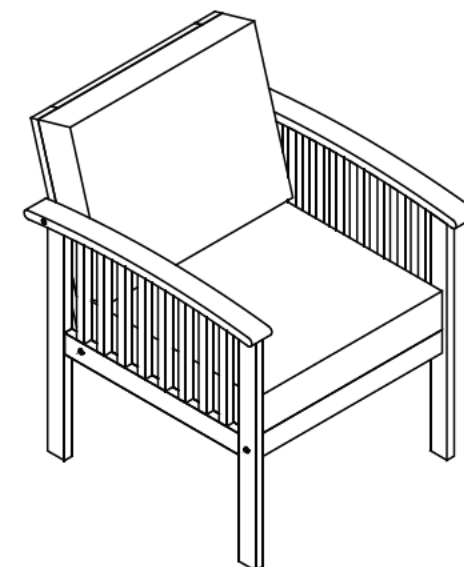
Weight Capacity :242 Ibs

Warning : Do not stand on chair




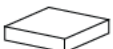





Warning : Do not over torque bolts / screws



Product Dimensions:26.3" W x 28.3" D x 32.2" H



Part List and Hardware List

PIECE	DESCRIPTION	PICTURE	QUANTITY
A	Frame back		1X
B	Frame Seat		1X
C	Leg Frame		2X
D	Seat Cushion		1X
E	Back Cushion		1X
F	Bolt	 M6x75	2X
G	Screw	 M6x70	2X
H	Screw	 M6x50	4X
I	Allen key	 LG4	1X

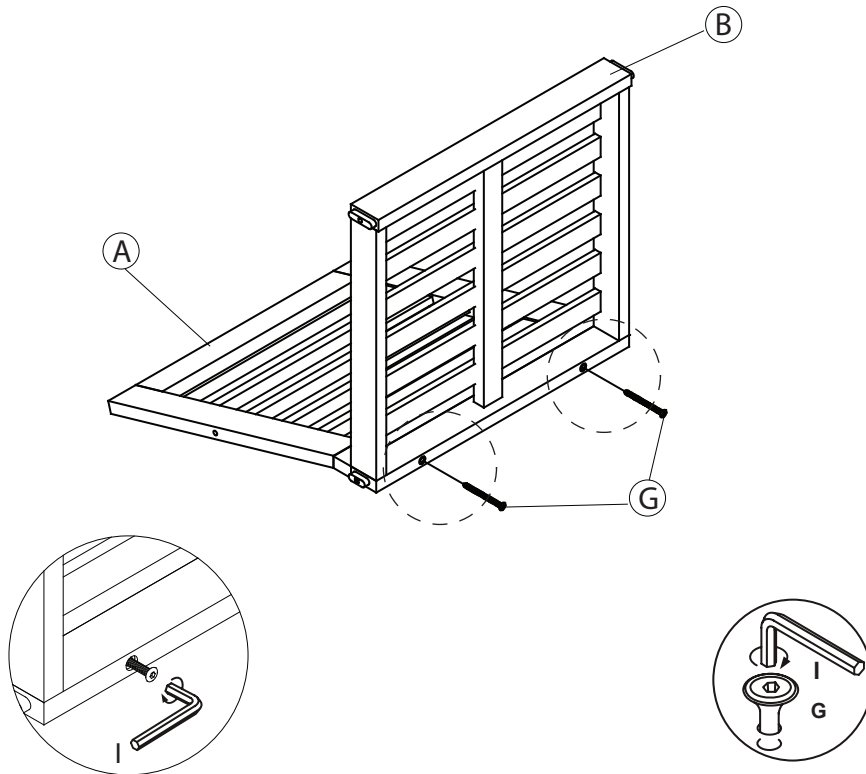
PREPARATION

Before beginning assembly of product, make sure all parts are present. Compare parts with package contents list and hardware contents list. If any part is missing or damaged, do not attempt to assemble the product.

Estimated Assembly Time: 10 minutes.

Tools Required for Assembly (included): Allen Key

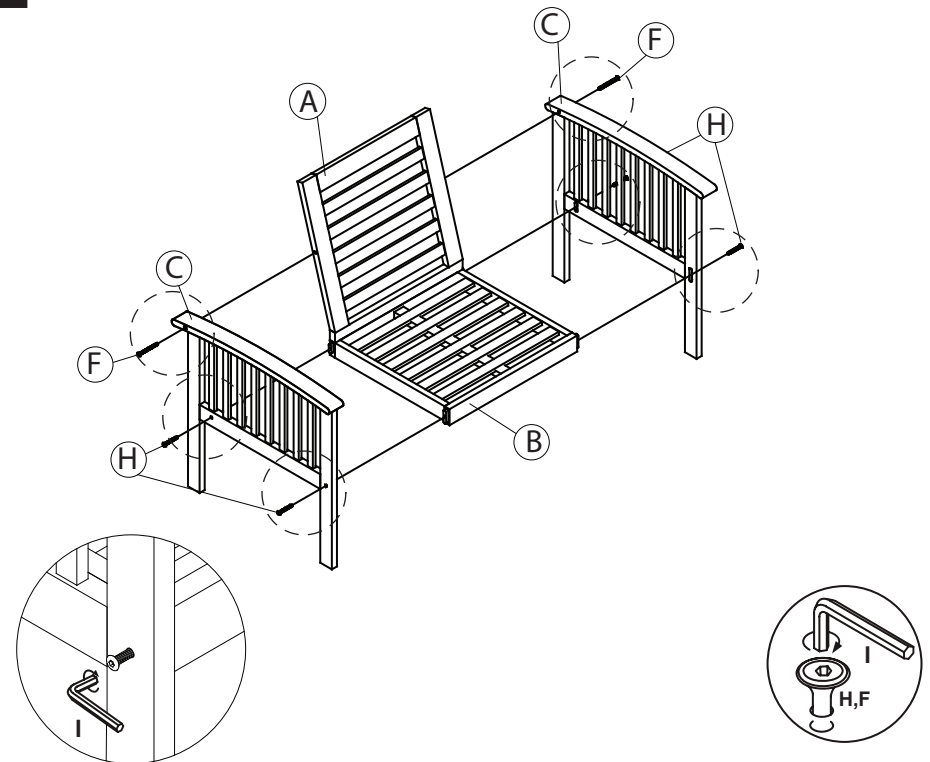
1



Step 1

Tighten screws (G) with allen key (I) to attach seat frame (B) and back frame (A)

2



Step 2

Step 2.1 Tighten bolt (F) with allen key (I) to attach leg frame (C) and back frame (A).

Step 2.2 Tighten screws (H) with allen key (I) to attach leg frame (C) and seat frame (B)

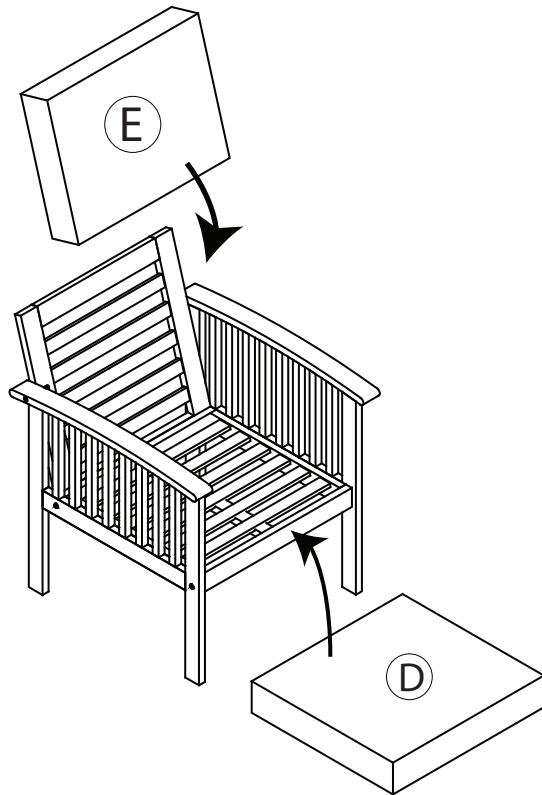
PREPARATION

Before beginning assembly of product, make sure all parts are present. Compare parts with package contents list and hardware contents list. If any part is missing or damaged, do not attempt to assemble the product.

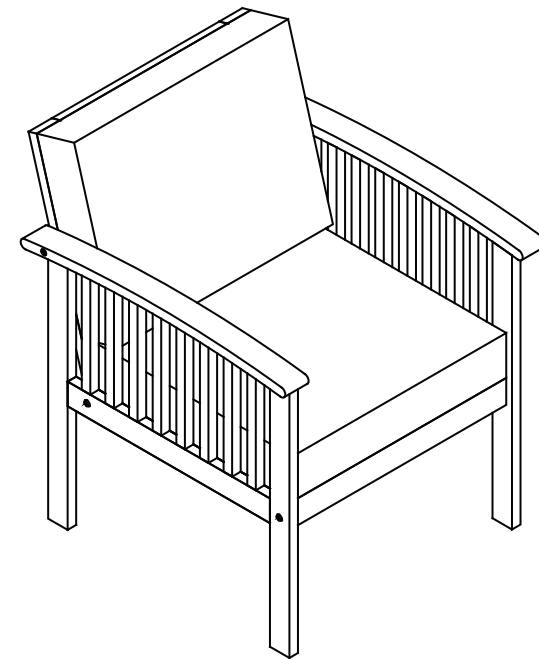
Estimated Assembly Time: 10 minutes.

Tools Required for Assembly (included): Allen Key

3



4



Step 3 Attach Ensure all screws are fully locked into position.
Place Seat Cushion (D), Back Cushion (E) into the Chair.
The Chair is ready to be used .

Step 4 Caution: This Chair can only be used on a flat, level surface