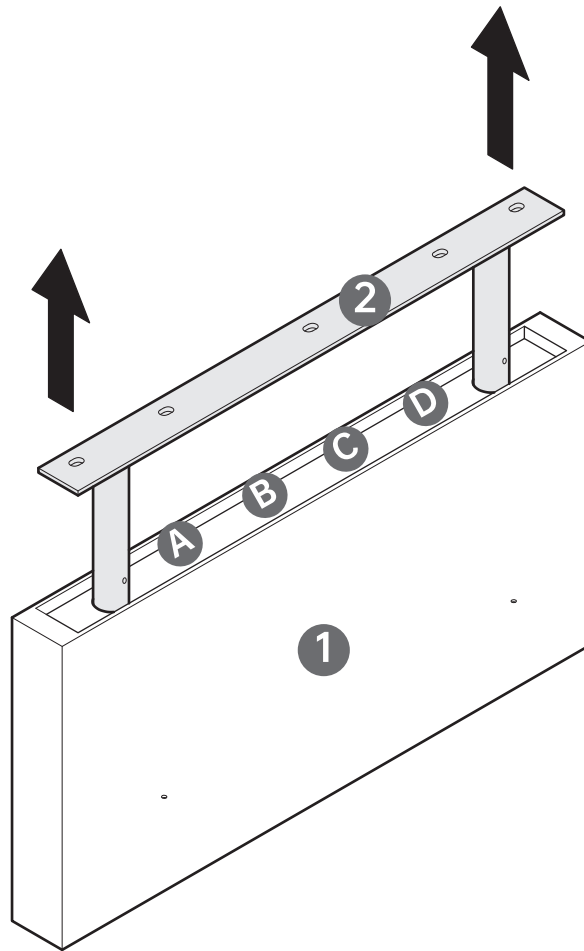


FLOATING SHELVES DEEP DESIGN



Note: Remove bracket, hardware inside.

INSTALLATION INSTRUCTION

Please read this instruction carefully before the installation and keep it for the future use and the warranty.



Manufacturer warranty for 2 years from date of purchase.

General Guidelines

1. Please carefully read the following instructions and use the product accordingly.
2. Keep this manual and pass it on when transferring the product.
3. This summary may not include every detail of all variations and considered steps. If you need further information or assistance, please feel free to contact us

Warnings

1. Do not mount this item above cribs, beds, or changing tables.
2. Children are not allowed to assemble the product. During assembly, please ensure that small parts are kept out of the reach of children, as they may pose a choking hazard if swallowed or inhaled.
3. Children should not climb or stand on the product to avoid the risk of personal injury from tipping over.
4. Keep plastic packing bags out of reach of children to prevent suffocation or other potential dangers.
5. Avoid using sharp objects or corrosive chemicals on the product, as they can cause damage to both the product and the user.
6. Please refrain from using the product if any parts are defective or missing, as this may result in damage or injury.

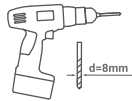
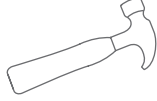


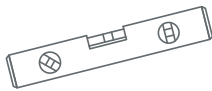
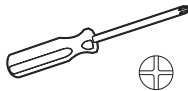

Notes

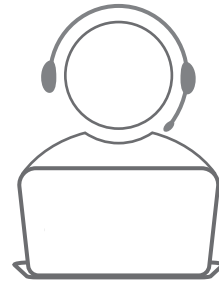
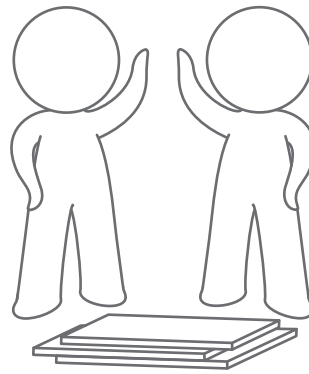
1. This product is intended for indoor use only. Any use of the product outside of its intended purpose or any modifications made to the product from its original design may result in personal injury or damage to the product. Please assemble and use the product following the instructions provided in the manual. The seller cannot be held responsible for any damage caused by incorrect assembly or improper use.
2. Avoid placing the product in damp environments for extended periods of time to prevent the growth of mildew.
3. When assembling the product, start by loosely aligning all screws with their corresponding pre-drilled holes before tightening them one by one.
4. It is recommended to periodically inspect the tightness of screws while the product is in use. If necessary, re-tighten them to ensure the structural integrity of the product.

ATTENTION

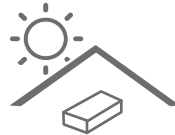


Not Offering

 Electric Drill	 Hammer	 Marker Pen	 Tape Measure
 Level	 Phillips Screwdriver	 Safety Goggles	



KEEP DRY

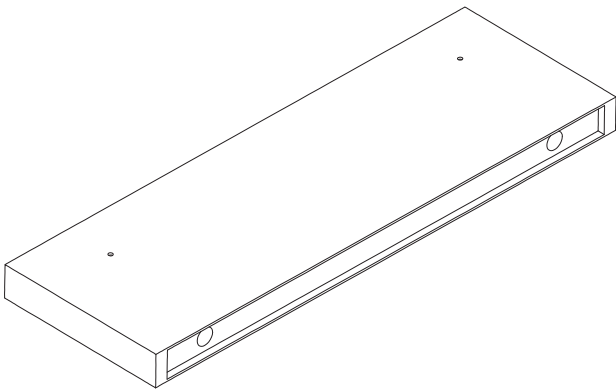


NO SUN EXPOSURE

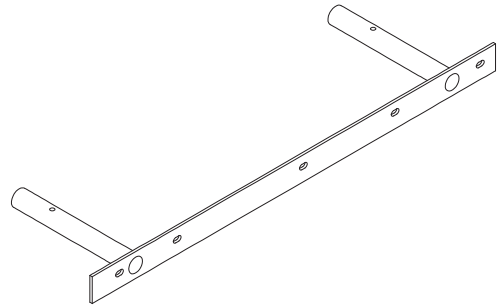


SOFT DRY CLOTH

PARTS LIST

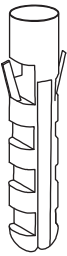


1 x2

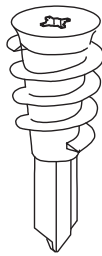


2 x2

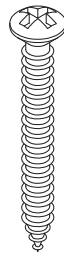
*The quantity of Board ① and bracket ② is determined by the specific SKU purchased, using a 2-pack of 24-inch long (ITEM NO. : FS2D24) as an example here.



A x(10+2)



B x(10+2)



C x(10+2)



D x(4+2)

Screws/Shelf	A: Φ8*40	B: Φ13*40	C: Φ5*40	D: Φ5*35	Bracket Holes Number	Maximum Weight Capacity
5+2(D)	15+3	15+3	15+3	6+3	5	40 lbs (18.2 Kg)
5+2(D)	10+2	10+2	10+2	4+2	5	40 lbs (18.2 Kg)
5+2(D)	10+2	10+2	10+2	4+2	5	50 lbs (22.7 Kg)
7+2(D)	14+2	14+2	14+2	4+2	7	50 lbs (22.7 Kg)
8+3(D)	16+2	16+2	16+2	6+2	8	50 lbs (22.7 Kg)
8+3(D)	8+1	8+1	8+1	3+1	8	50 lbs (22.7 Kg)
10+3(D)	10+1	10+1	10+1	3+1	10	50 lbs (22.7 Kg)
12+3(D)	12+1	12+1	12+1	3+1	12	50 lbs (22.7 Kg)
14+3(D)	14+1	14+1	14+1	3+1	14	50 lbs (22.7 Kg)

*The quantity of A/B/C screws varies according to the size of the product.

* We provide additional 1 screws for per shelf to prevent any damage or loss of screws that may occur.

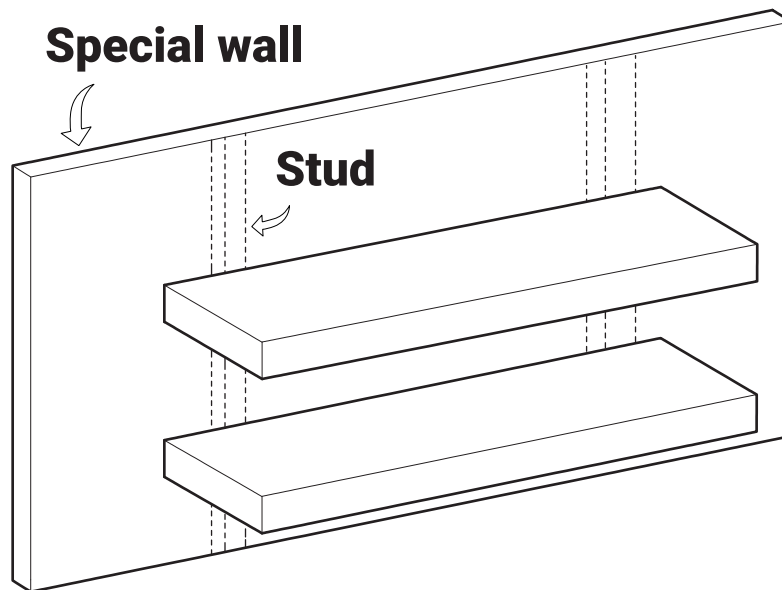


ATTENTION

- This product is equipped with two types of the expansion screws, please use the correct accessories according to the wall constructions.
- Check for hidden pipes and cables in the wall before drilling.

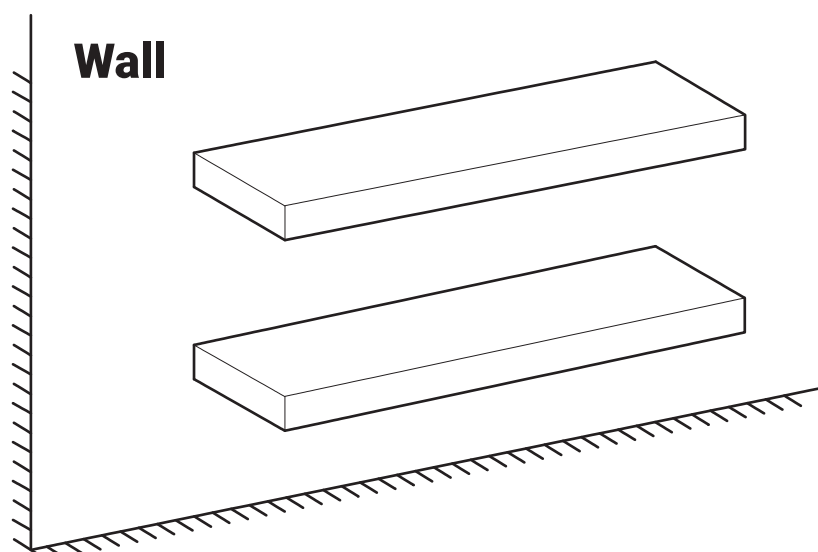
Method 1 : For Stud or Dry Wall Mounting.

(Please refer to step 1 to step 5, P8-P11.)



Method 2 : For Solid or Concrete Walls.

(Please refer to step 6 to step 10, P12-P15.)



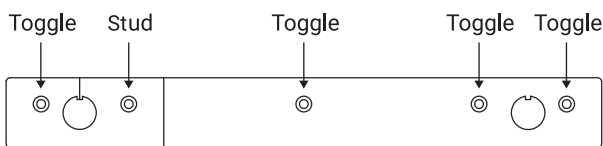


ATTENTION

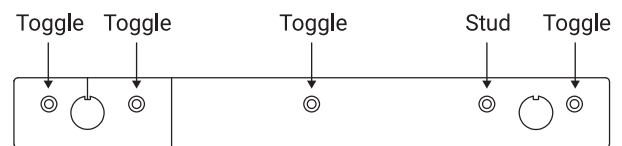
1. Determine the desired placement on the wall for the product.
Within the desired mounting location, locate the wall studs.
2. Using the electronic stud finder and mark stud locations using the pencil.
(Note: It is best to mount the bracket to at least (1) stud, using the illustrative graph shown below for reference. Wood studs are typically located every 16", on center.)
3. Determine which wall mount bracket hole or holes on the wall that will be centered on a stud. The hole positions that are centered over studs will use the Stud Mounting Screws for mounting the bracket.
4. Insert the included bubble level into the bubble level track, as close to the center of the wall mount bracket as possible.
5. Place the wall mount bracket at the desired location on wall and confirm that the bracket is level. The screw holes on the iron bars that lock onto the boards face down.
6. With the pencil, mark the mounting screw hole locations on the wall with the pencil.
7. Remove the wall mount bracket and set aside.



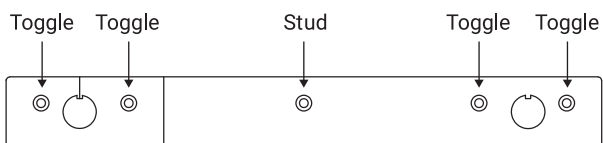
ILLUSTRATIVE GRAPH



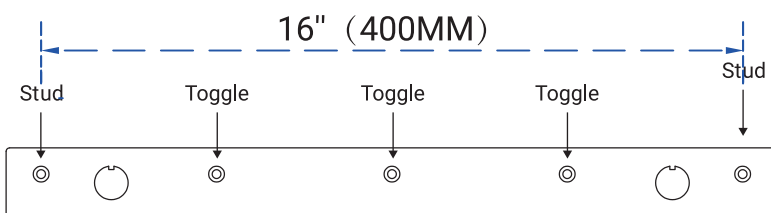
"Left Skewed Installation"



"Right Skewed Installation"



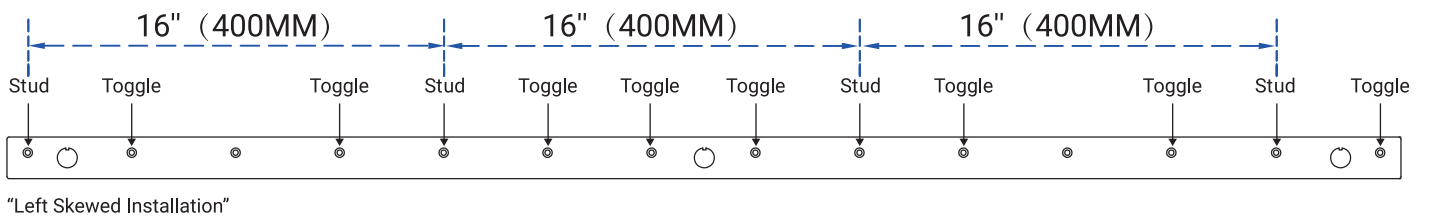
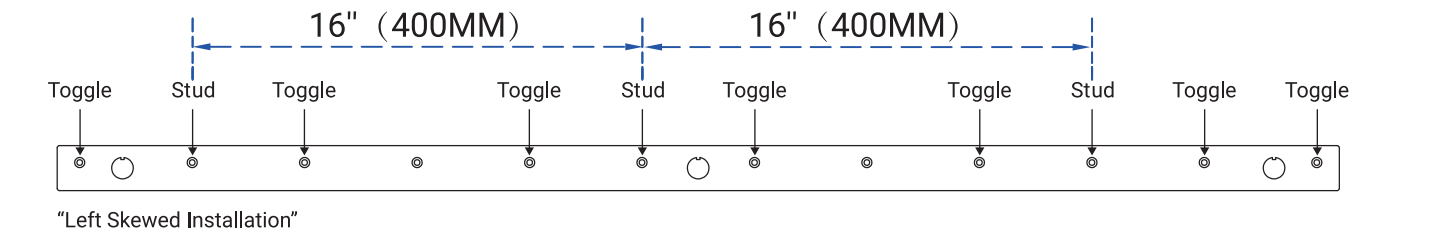
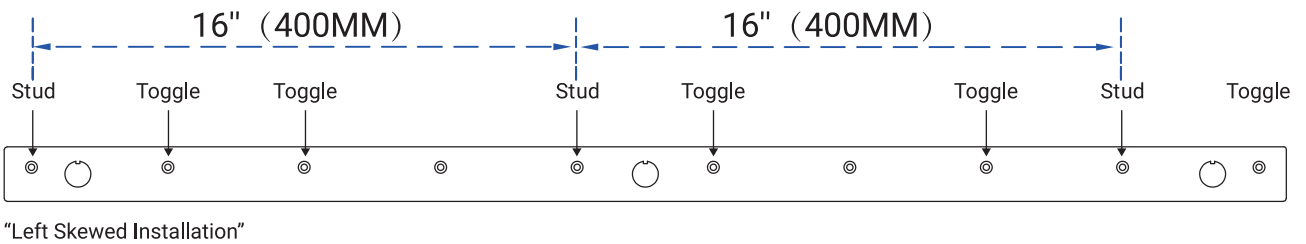
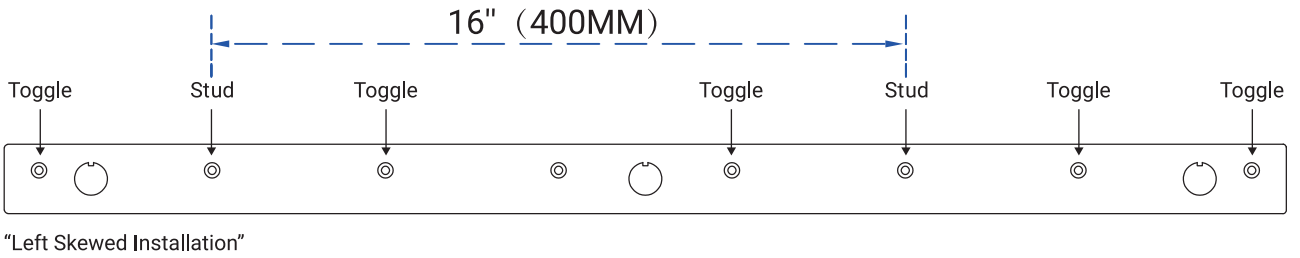
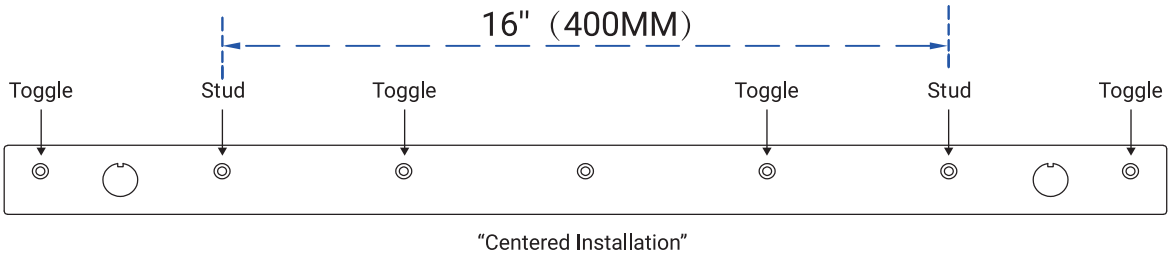
"Centered Installation"



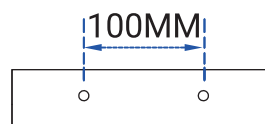
"Centered Installation"



ILLUSTRATIVE GRAPH



*The spacing between each two holes is 4 in (100mm).



1



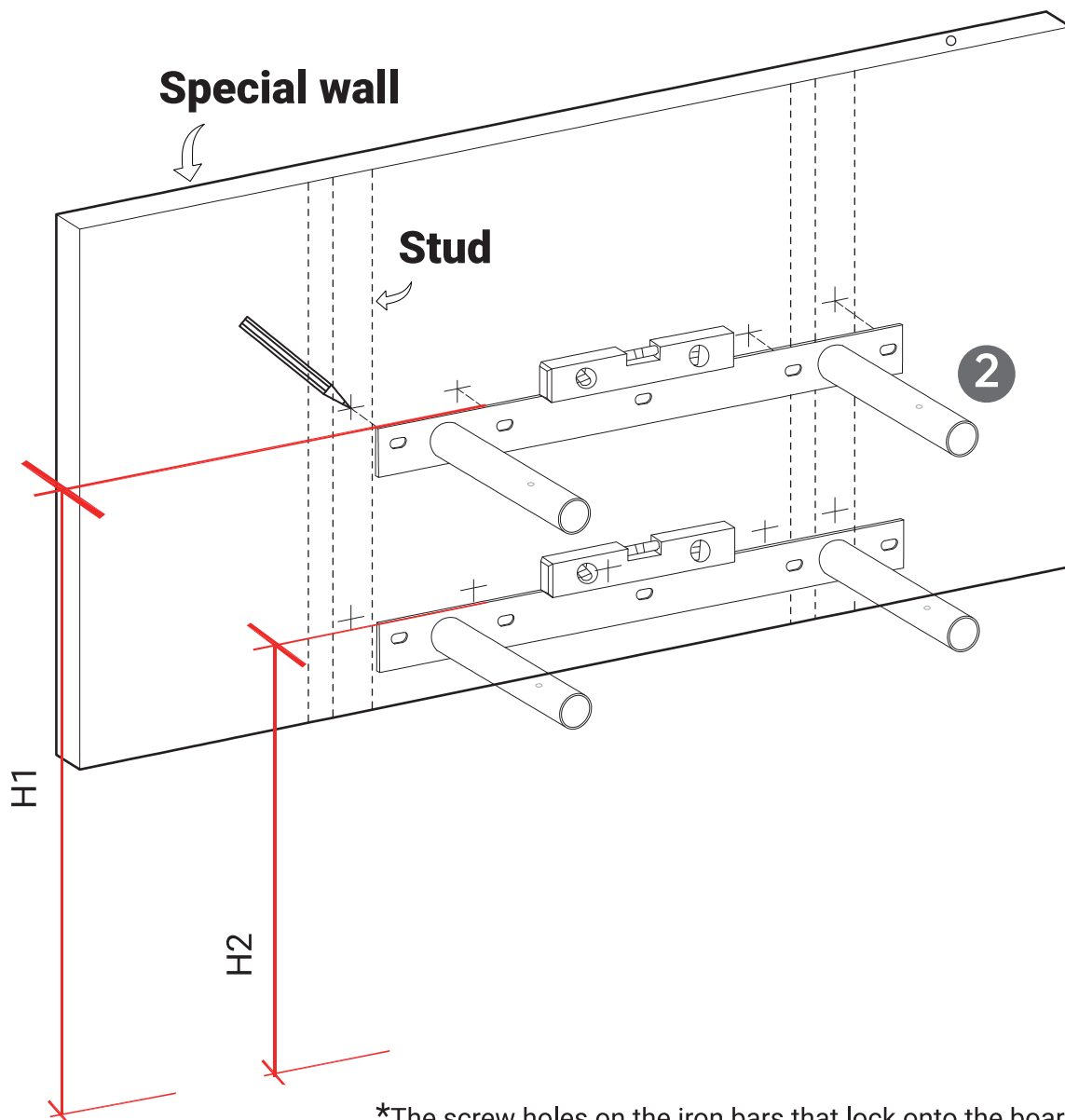
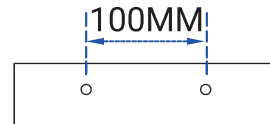
ATTENTION

- Position the iron frames on the wall and place them horizontally to ensure that the iron frames are parallel, and then punch holes.
- Tips: The distance(H1/H2) between the top of barcket and the ground according to your preference.

Method 1 : For Stud or Dry Wall Mounting.

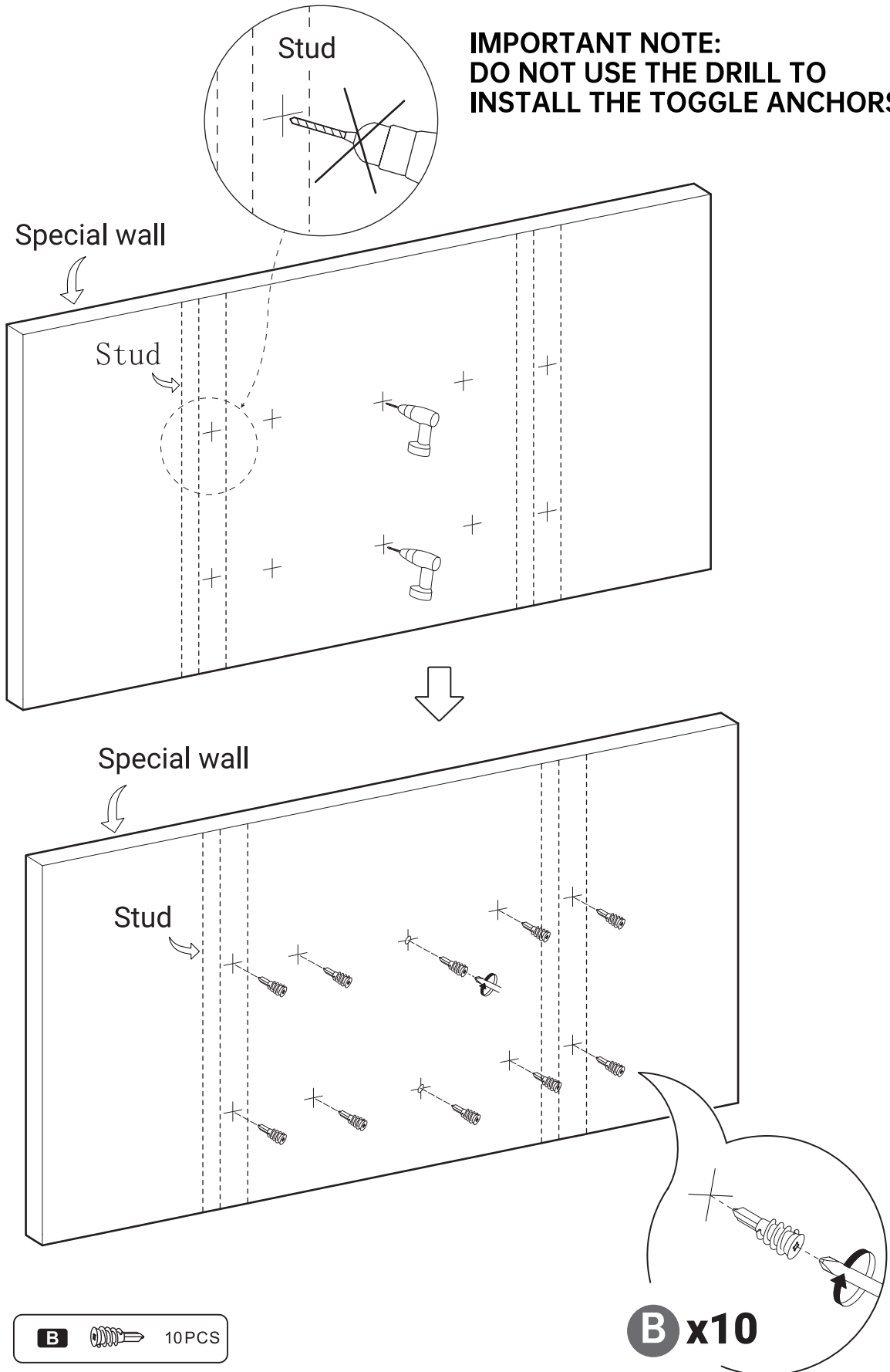
The middle hole is selected for installation based on the actual situation.

The spacing between each two holes is 4 in (100mm).

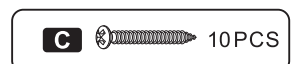
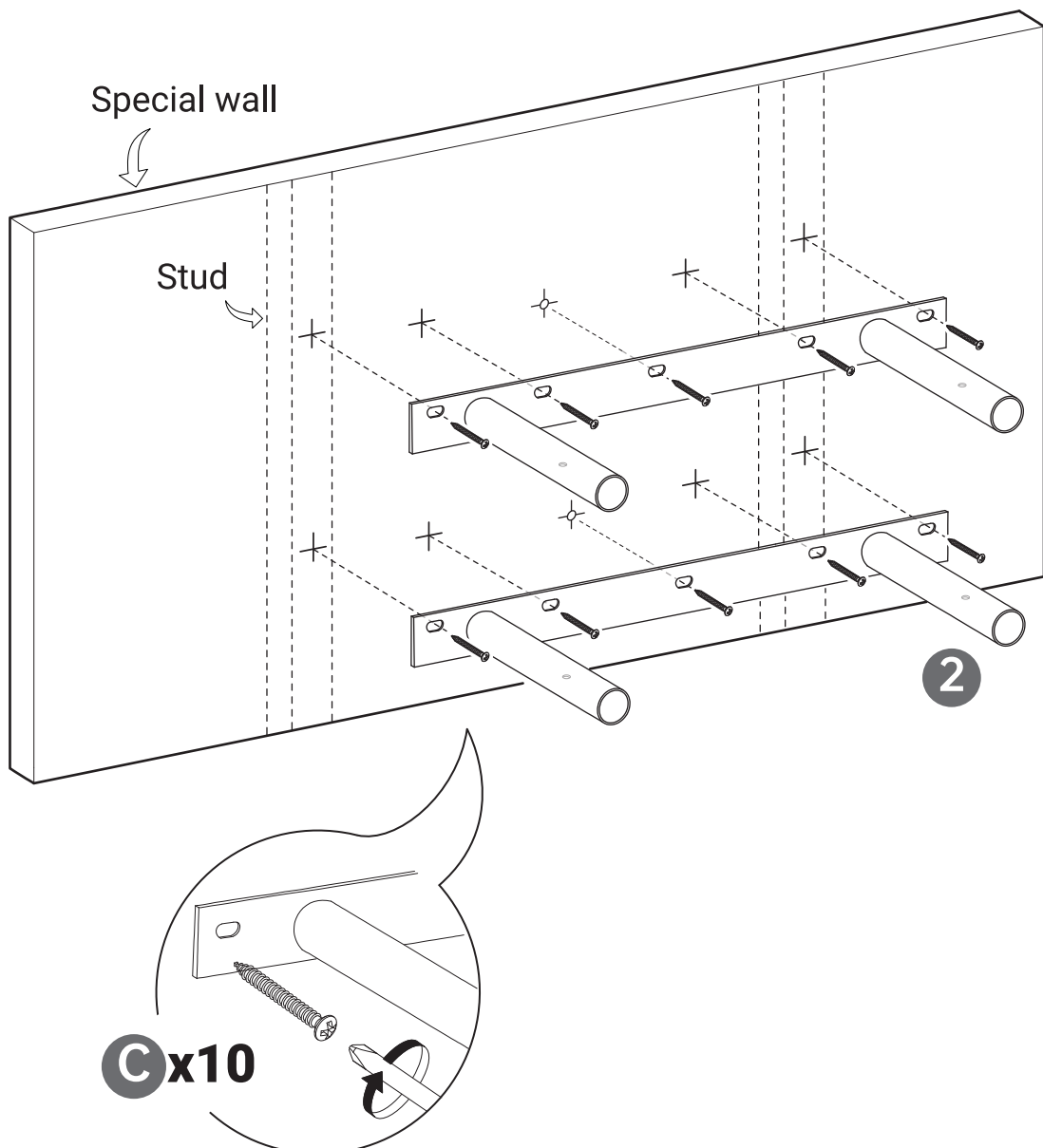


Wood Stud: B(x10) are not needed.

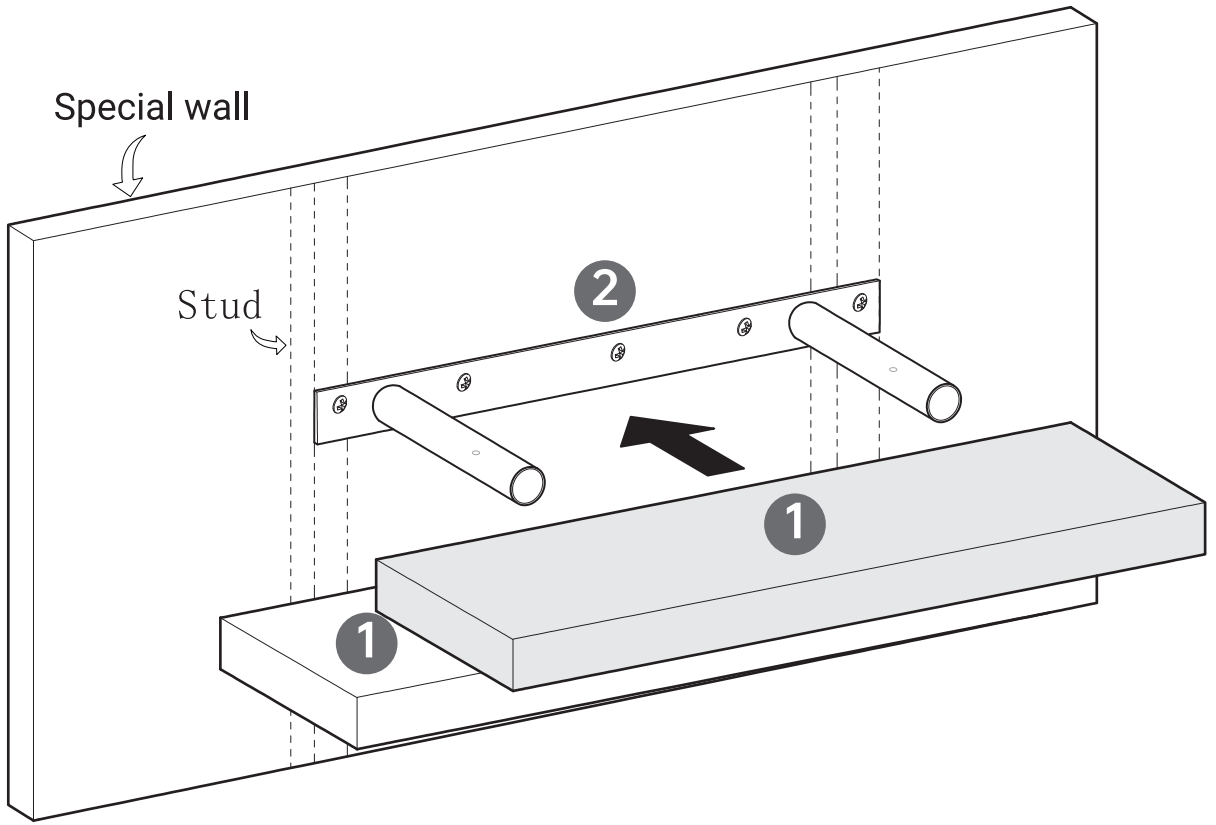
**IMPORTANT NOTE:
DO NOT USE THE DRILL TO
INSTALL THE TOGGLE ANCHORS.**



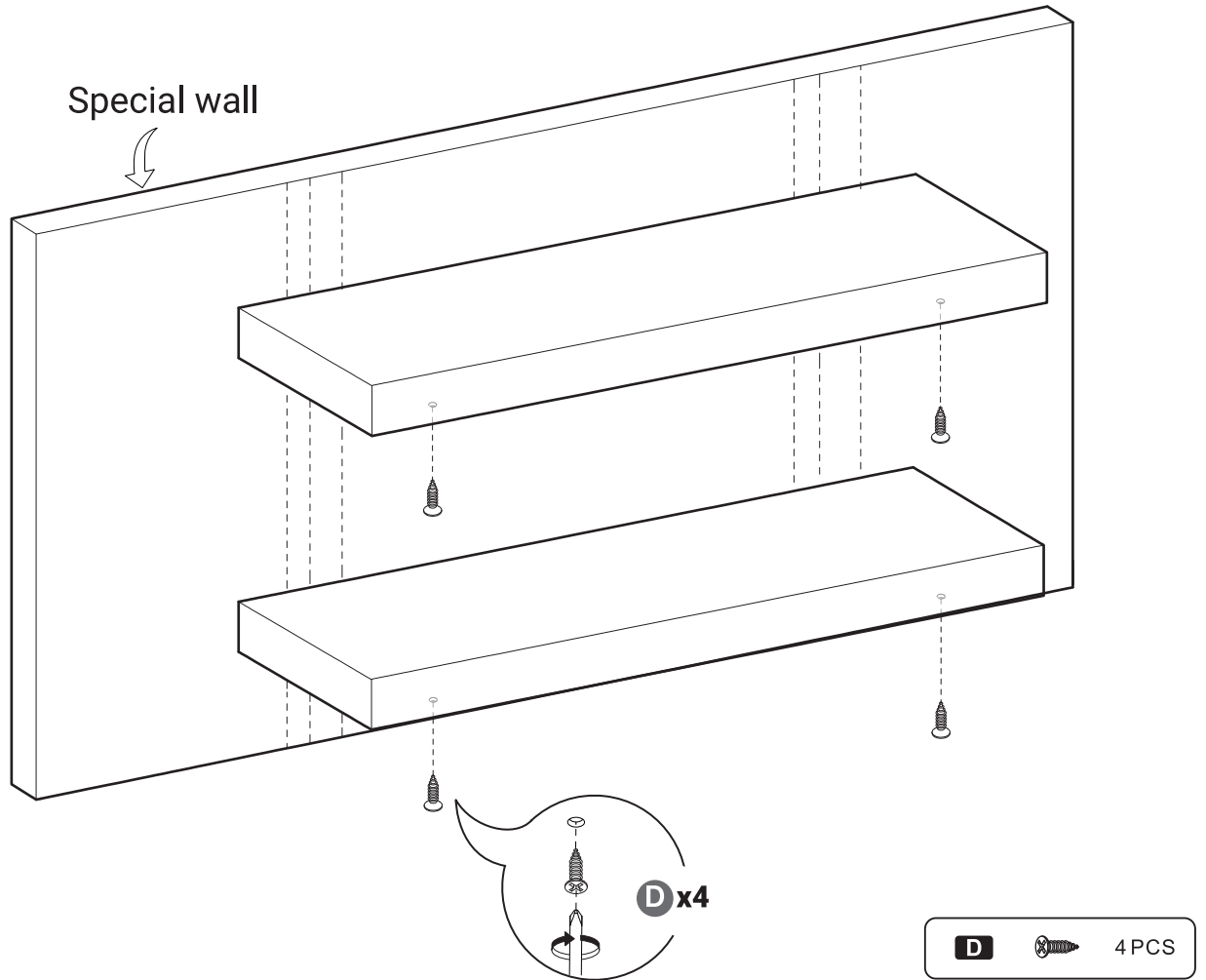
**IMPORTANT NOTE:
THE SCREW HOLES ON
THE IRON BARS THAT LOCK ONTO
THE BOARDS FACE DOWN.**



4



5



6

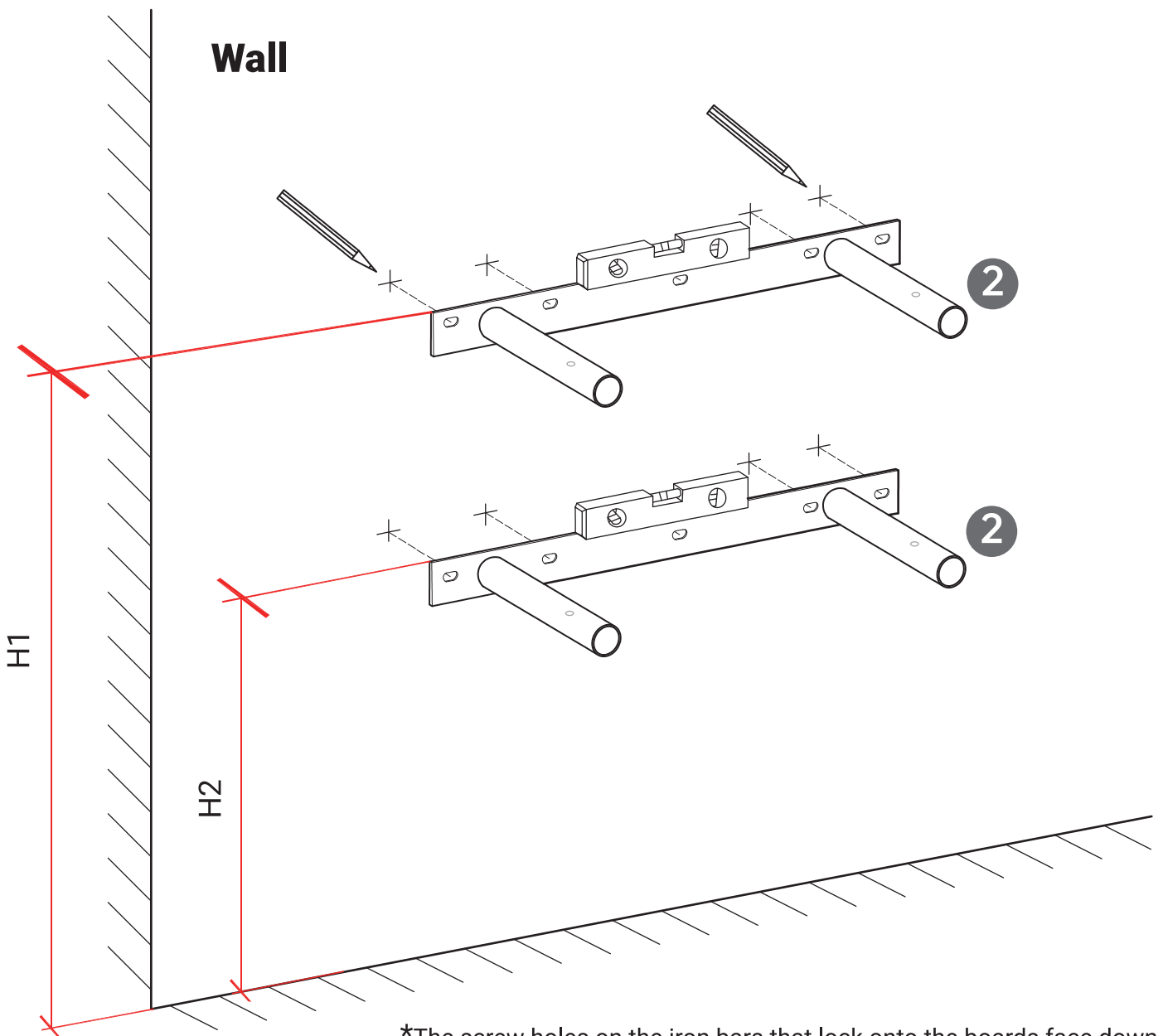
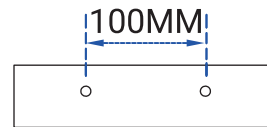


ATTENTION

- Tips: The distance(H1/H2) between the top of barcket and the ground according to your preference.
- If there are special needs, please consult a licensed contractor and your local hardware store for assistance.

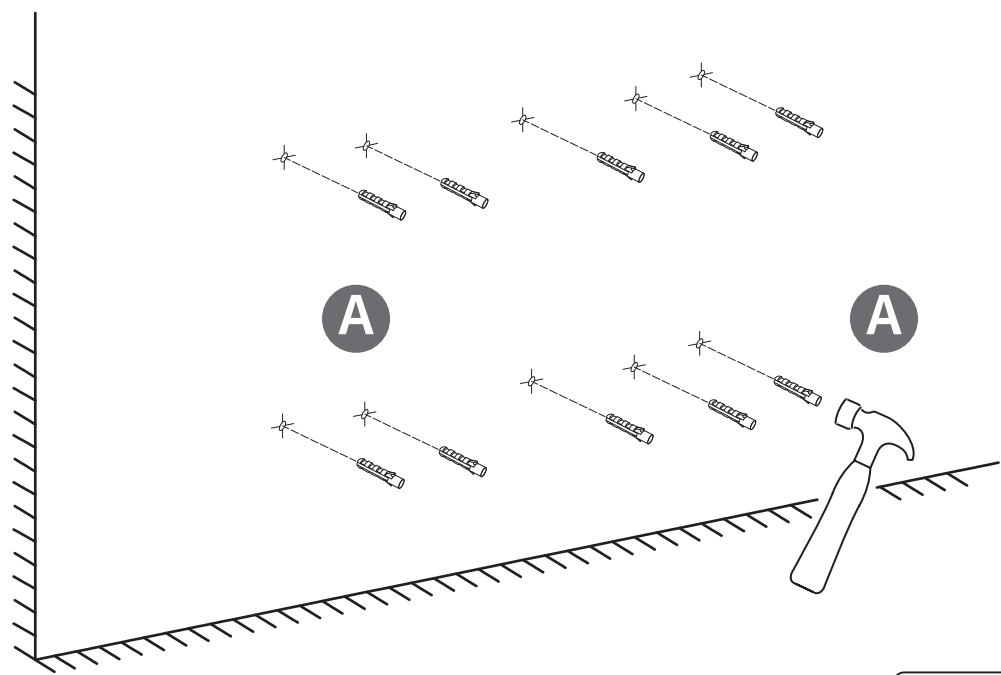
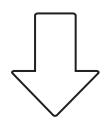
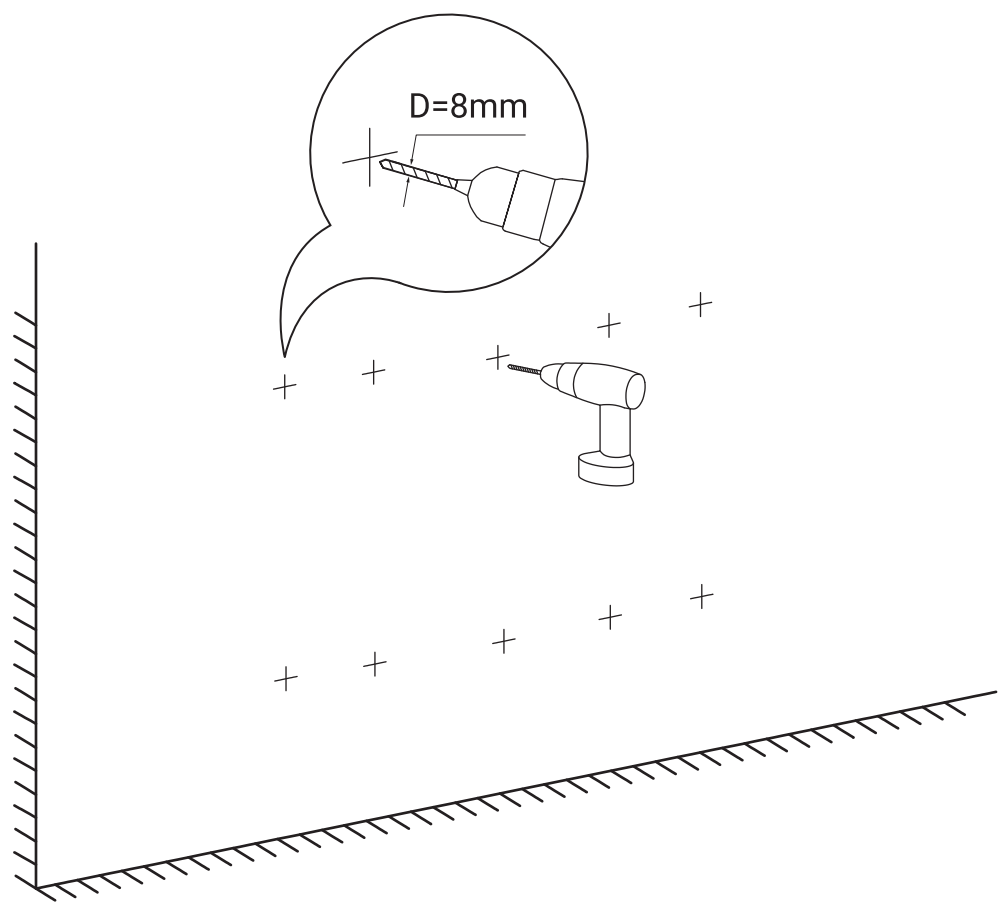
Method 2 : For Solid or Concrete Walls.


*Taking FS2D24 as an example.
The middle hole is selected for installation based on the actual situation.
The spacing between each two holes is 4 in (100mm).



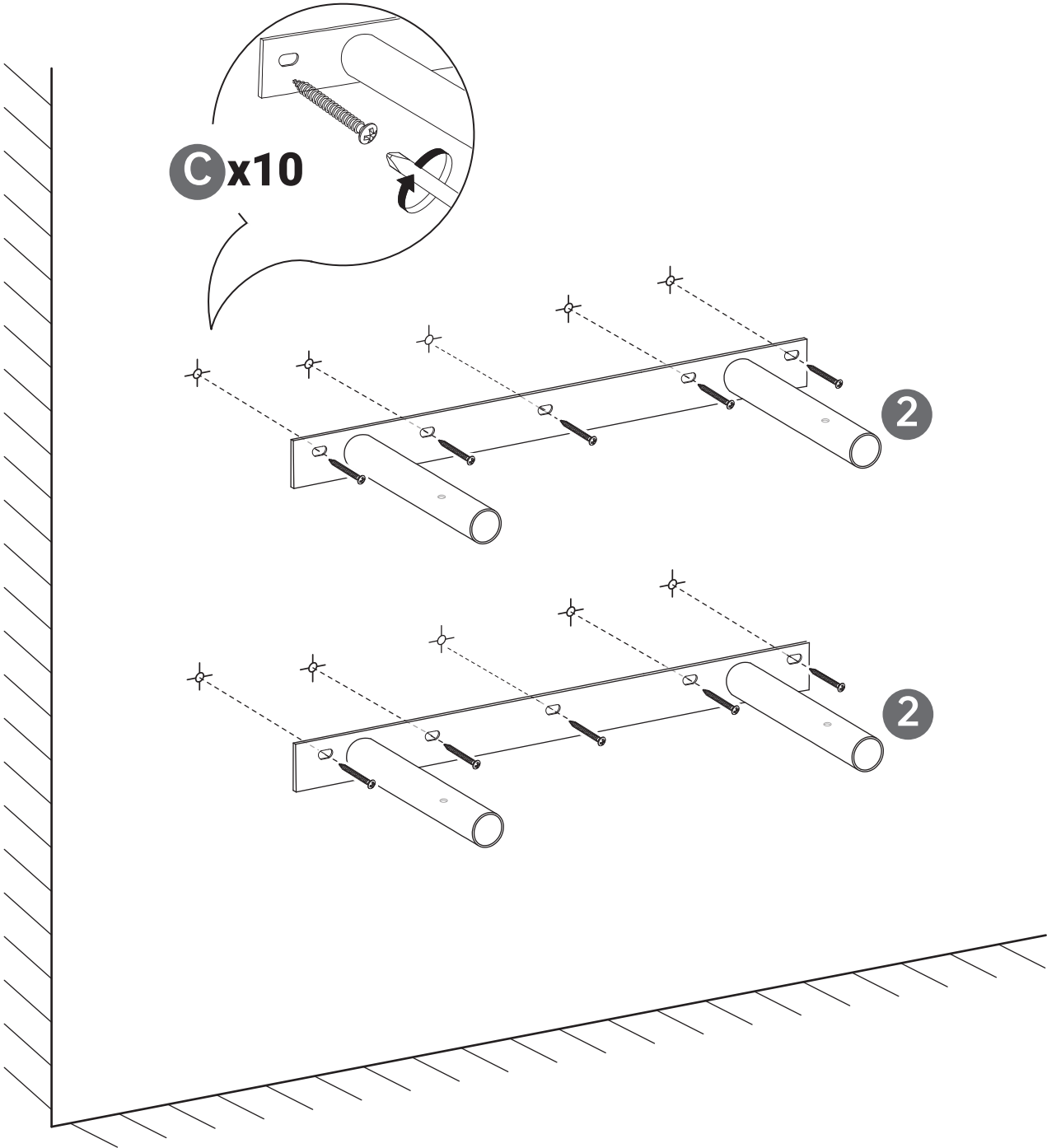
*The screw holes on the iron bars that lock onto the boards face down.

7

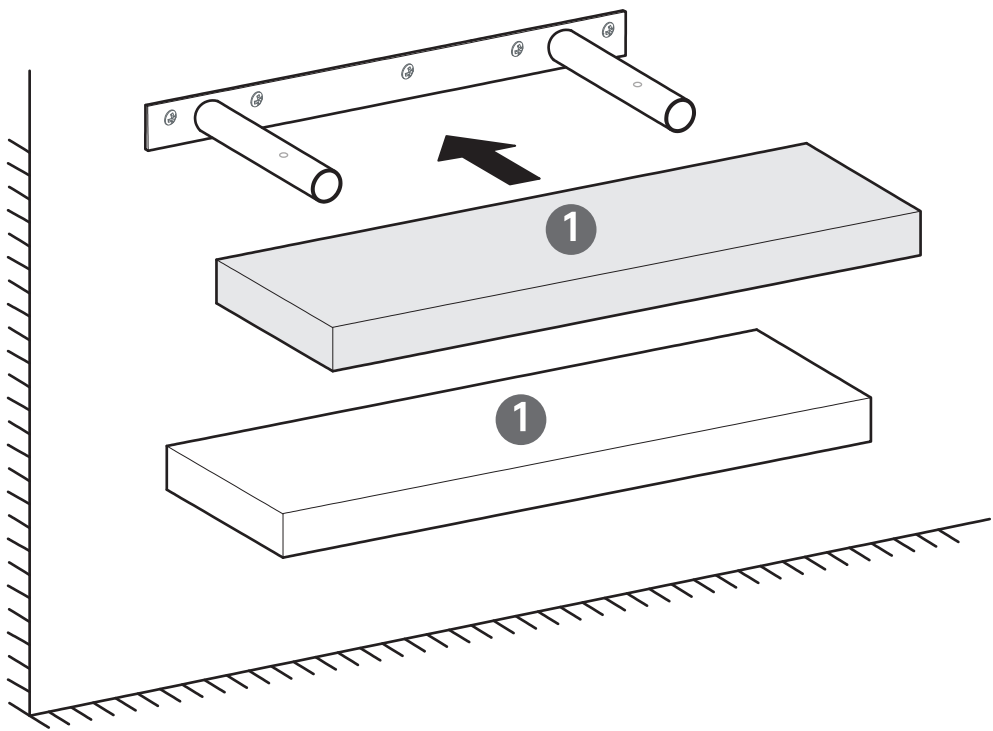


A  10PCS

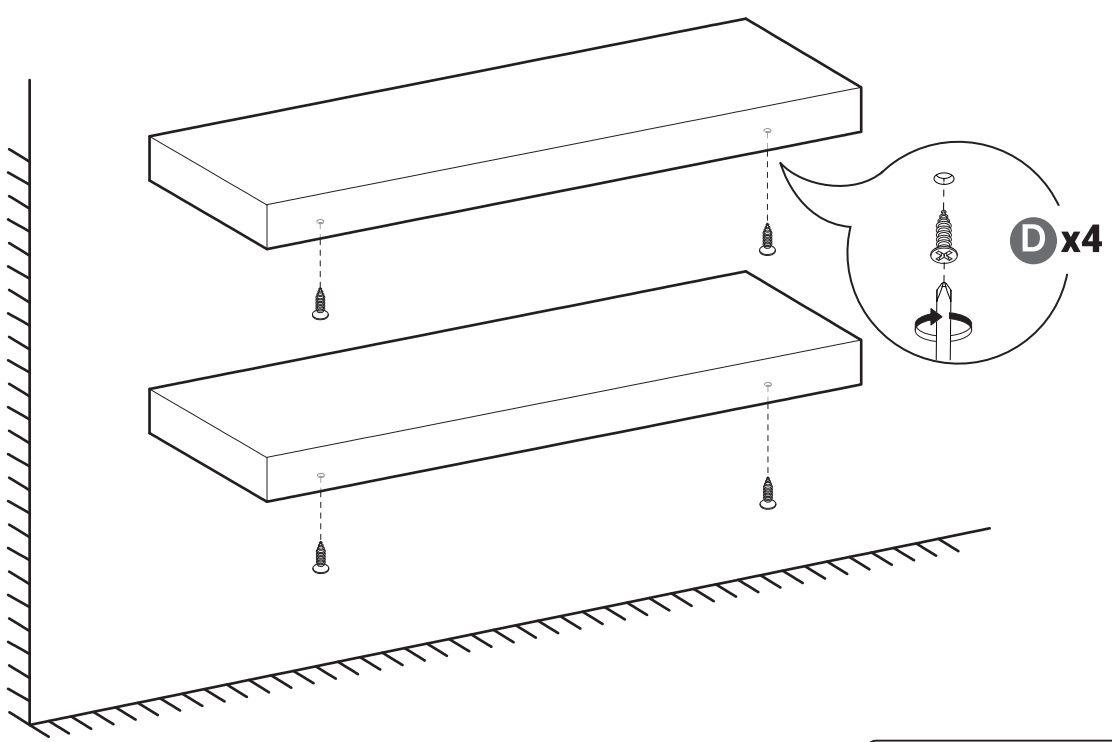
**IMPORTANT NOTE:
THE SCREW HOLES ON
THE IRON BARS THAT LOCK ONTO
THE BOARDS FACE DOWN.**




9



10



D  4 PCS

Brand Support

**Thank you for your support and for choosing our brand.
We greatly appreciate your business.**

If you have any problem, please feel free to contact us.