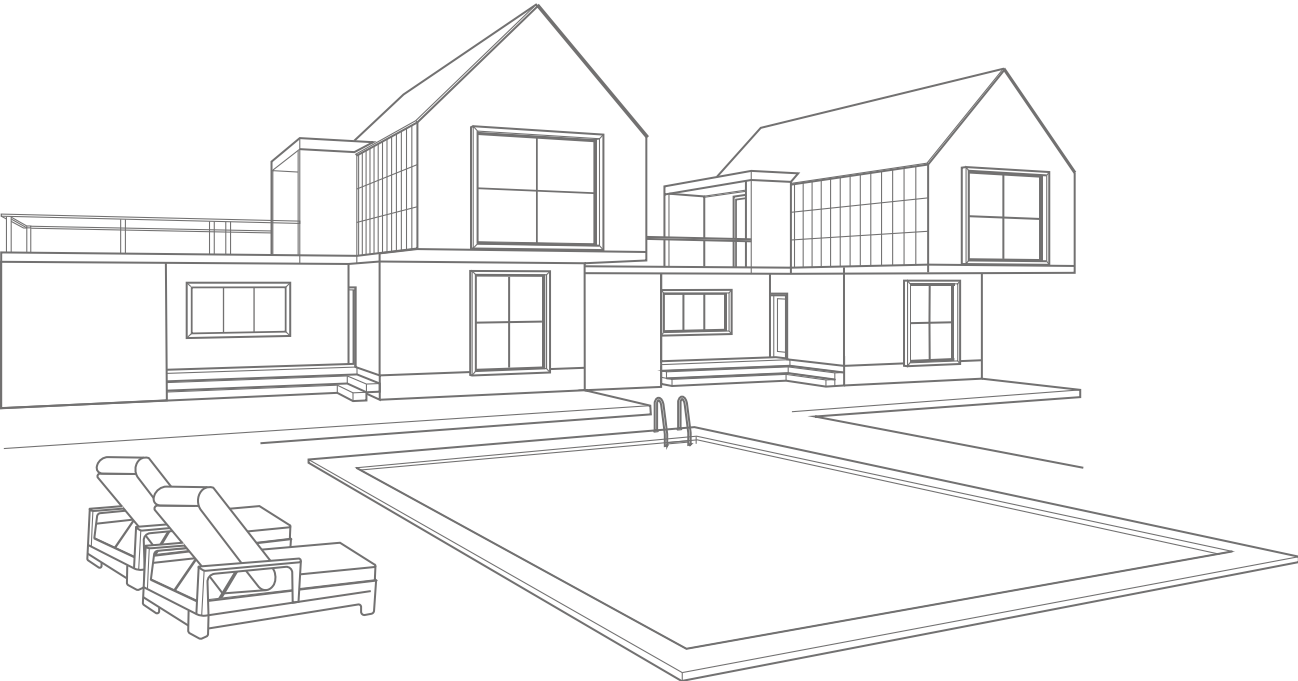


Installation Manual

Product ID. 7AZYA



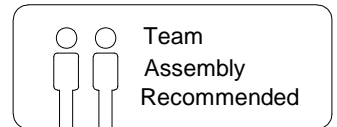
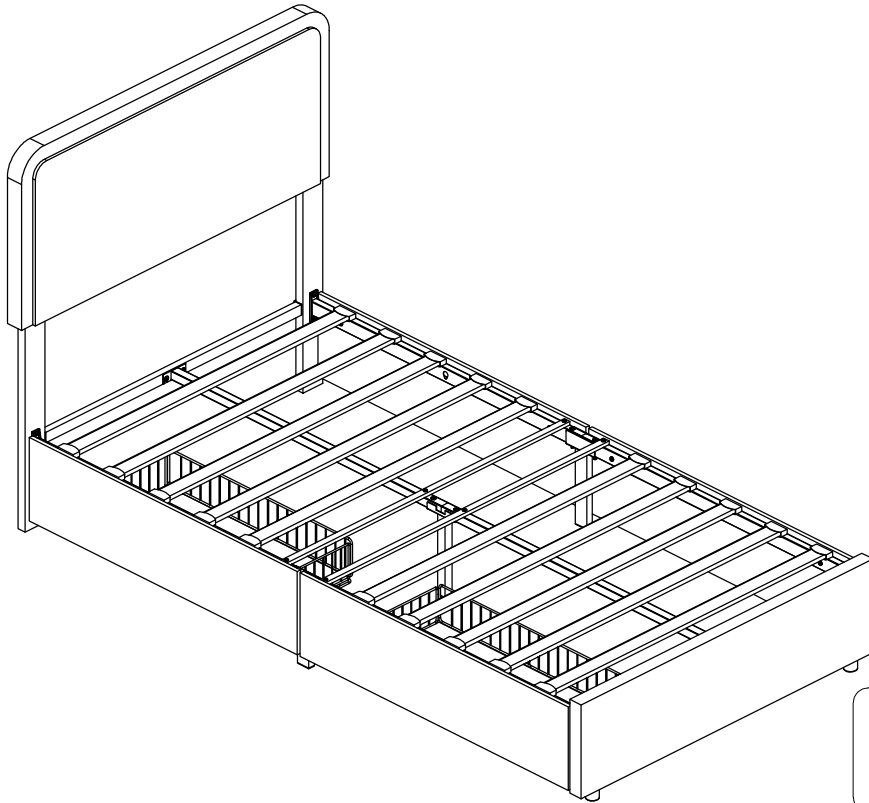
Scan for Support
support@garvee.com



Distributed by
GARVEE.com

Twin

Installation Manual



Trouble shooting:

Missing/Wrong/Broken parts and installation issues



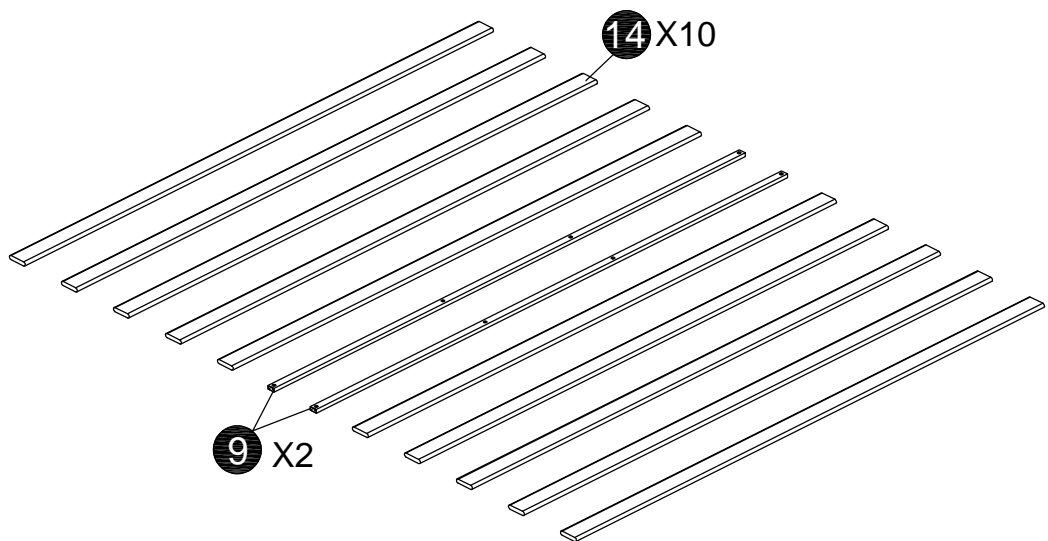
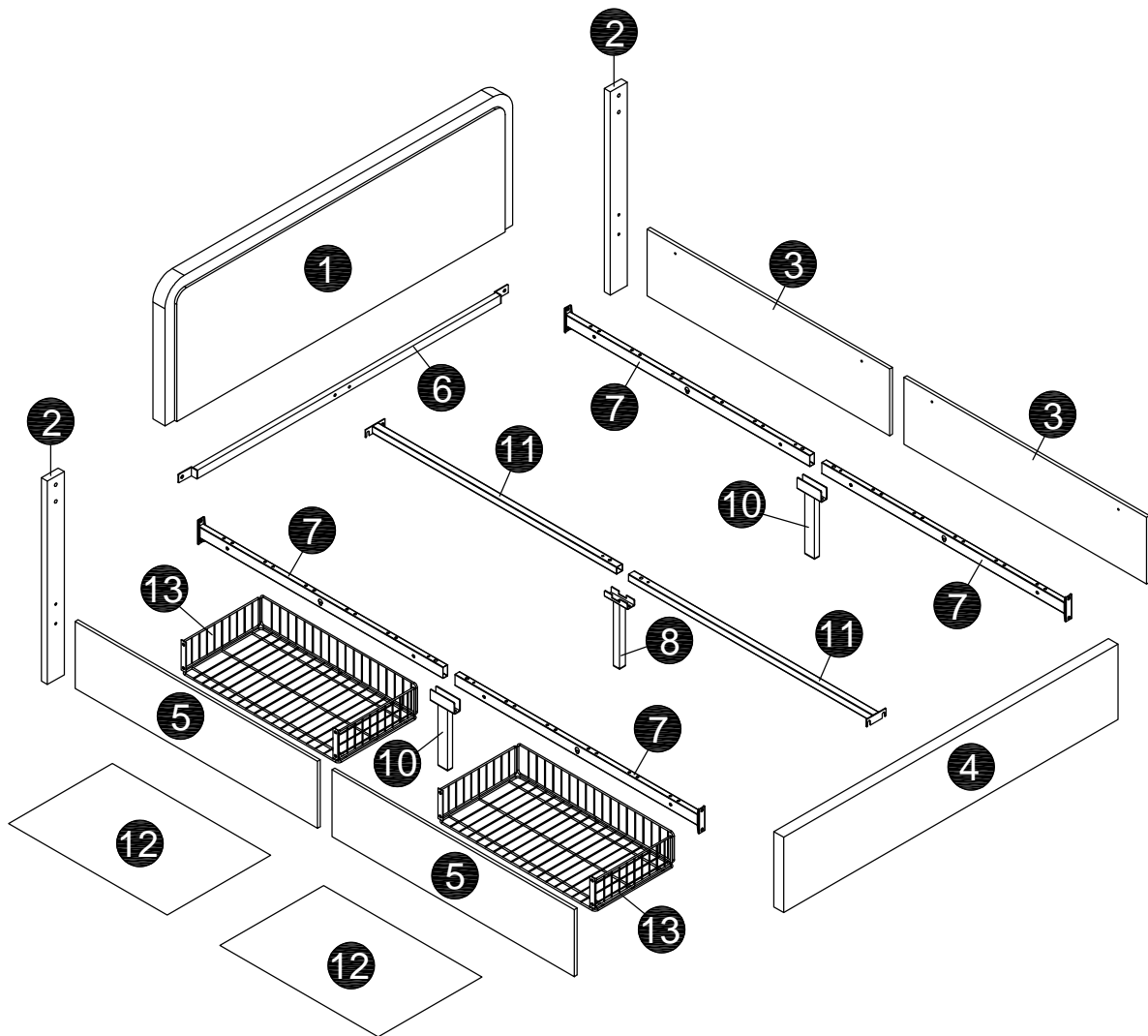
Send email with your question, pic and order NO. to
support@garvee.com



Respond within 24 hours

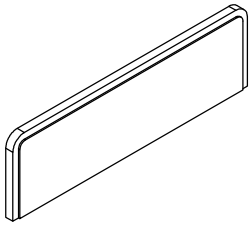


Issue resolved

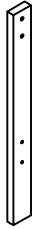


Note: Don't tighten all screws during installation.

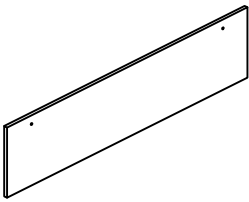
Components ▶



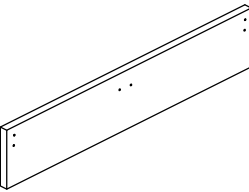
1 x1



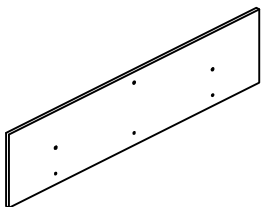
2 x2



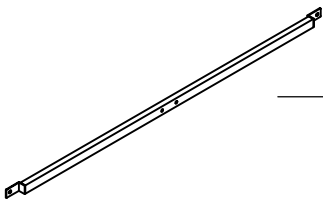
3 x2



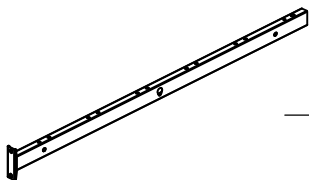
4 x1



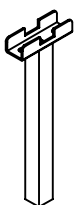
5 x2



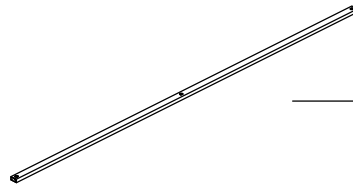
6 x1



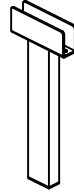
7 x4



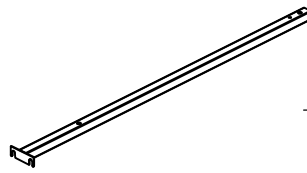
8 x1



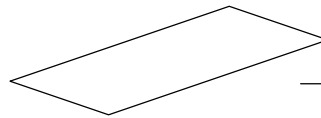
9 x2



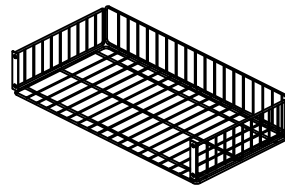
10 x2



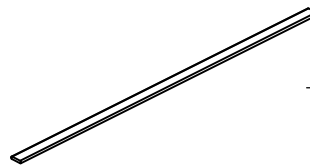
11 x2






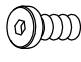
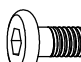
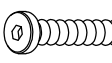


12 x2

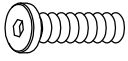
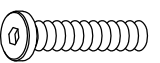
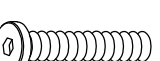



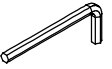



13 x2

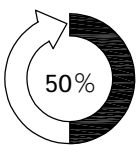


14 x10

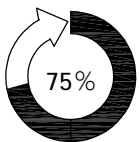
(A)			X4
(B)			X2
(C)			X8
(D)		M6x12mm	X10
(E)		M6x19mm	X2
(F)		M6x25mm	X8
(G)		M6x35mm	X4
(H)		M8x15mm	X4

(I)		M8x25mm	X10
(J)		M8x35mm	X2
(K)		M8x40mm	X4
(L)		M8x50mm	X4
(M)			X20
(N)		5mm	X2
(O)		4mm	X2
(P)			X2

**Check all the components & screws before assembly.
Do not install in case part is missing, contact us to get.
Send email with your question to support@garvee.com.**



50% : means the screw no need to tightened.



75% : means the screw no need to tightened.



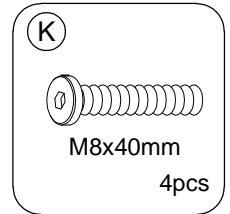
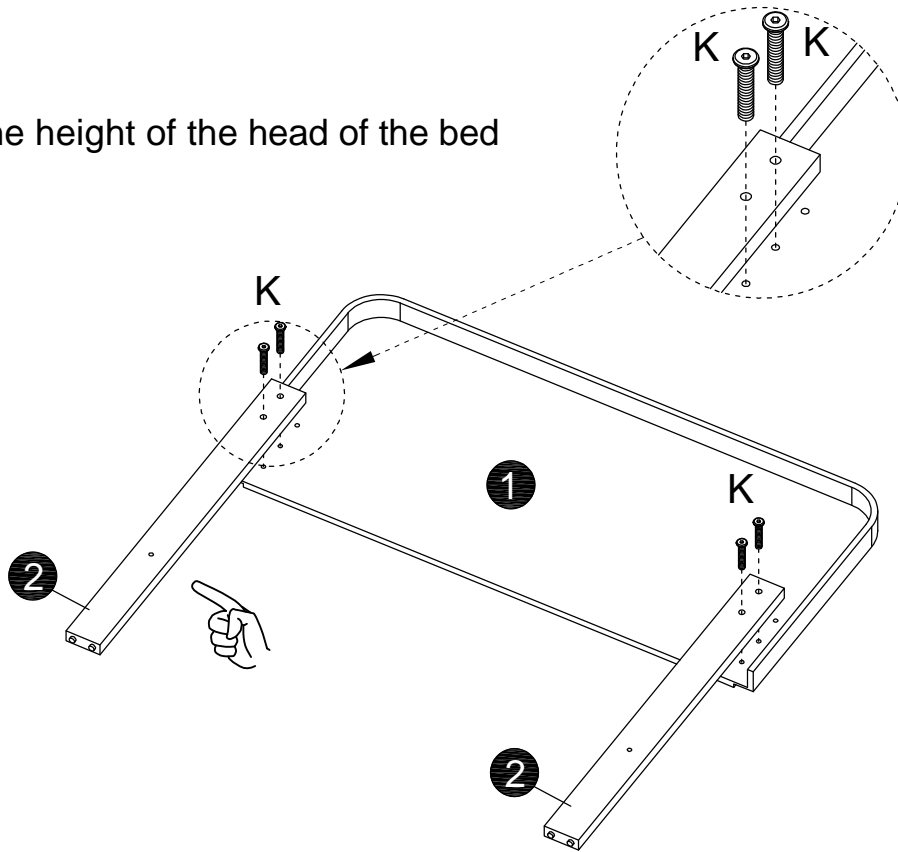
100% : means the screw needs to be tightened.

Greenguard

It is recommended to keep the area well-ventilated for 48 hours after installation.

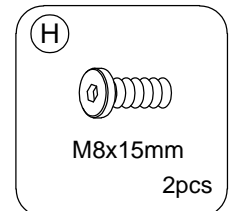
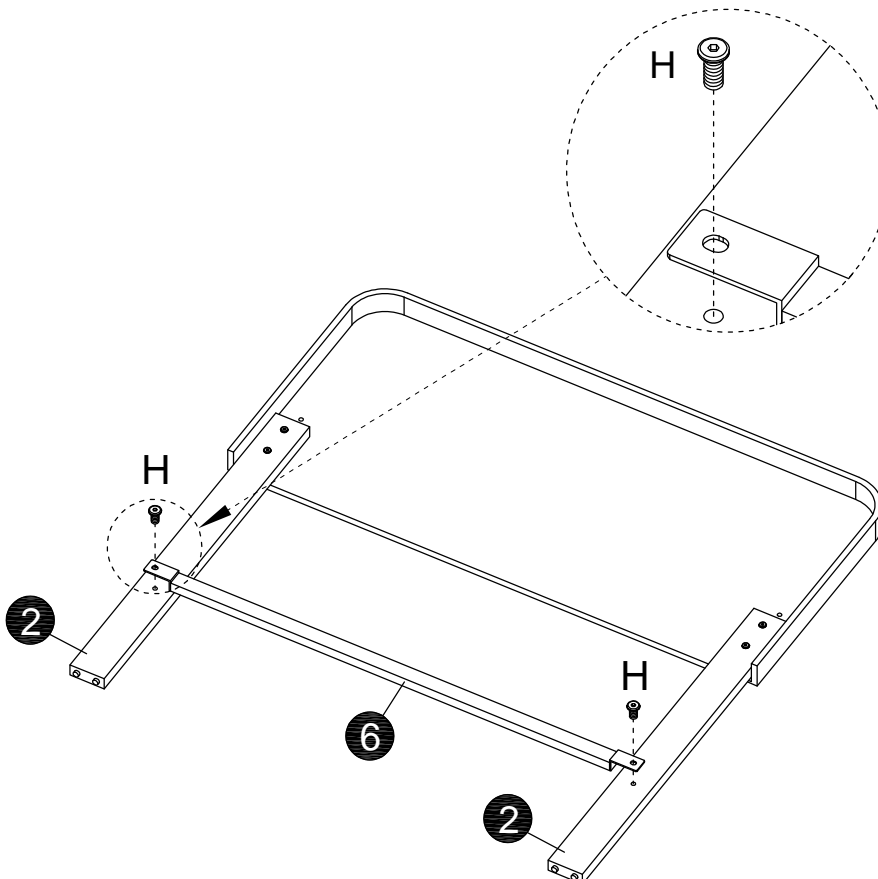
Step 1

adjust the height of the head of the bed



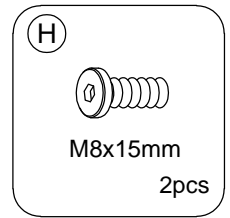
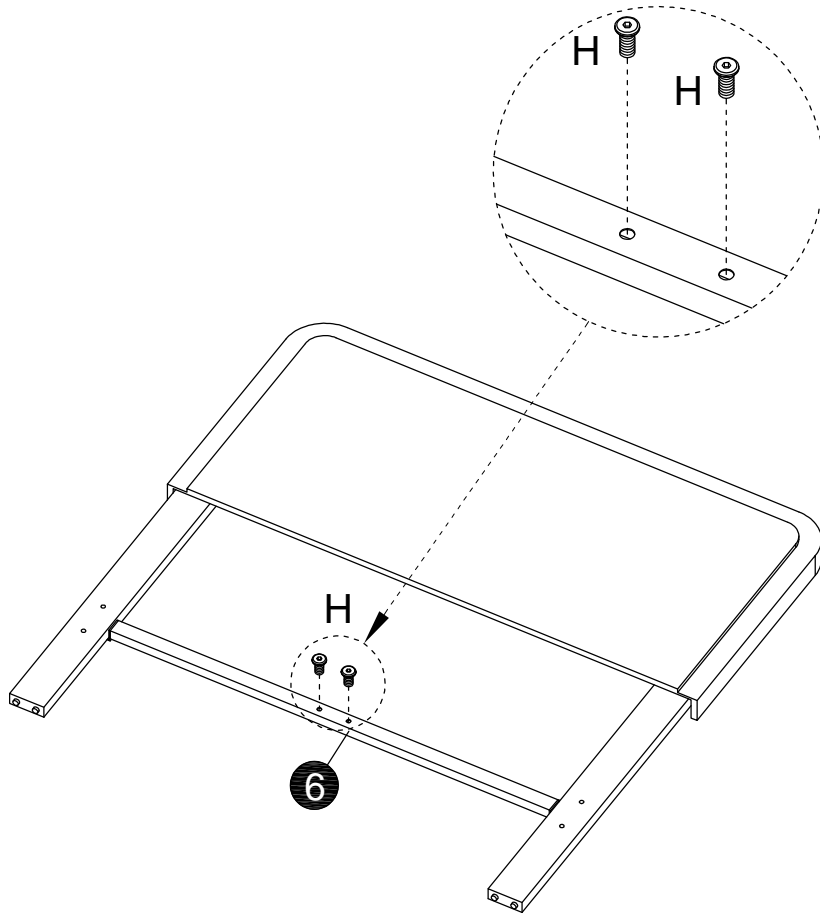
100%: means the screw needs to be tightened.

Step 2



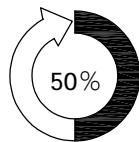
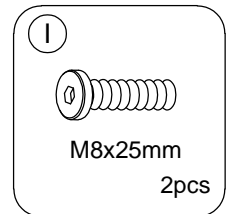
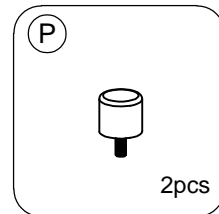
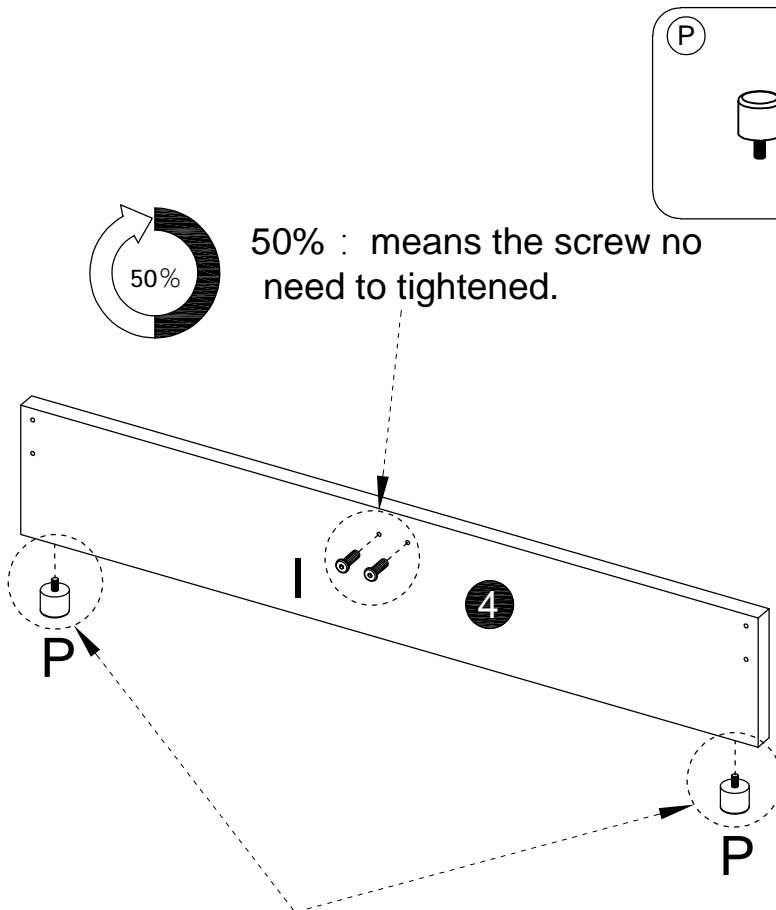
100%: means the screw needs to be tightened.

Step 3



50% : means the screw no need to tightened.

Step 4

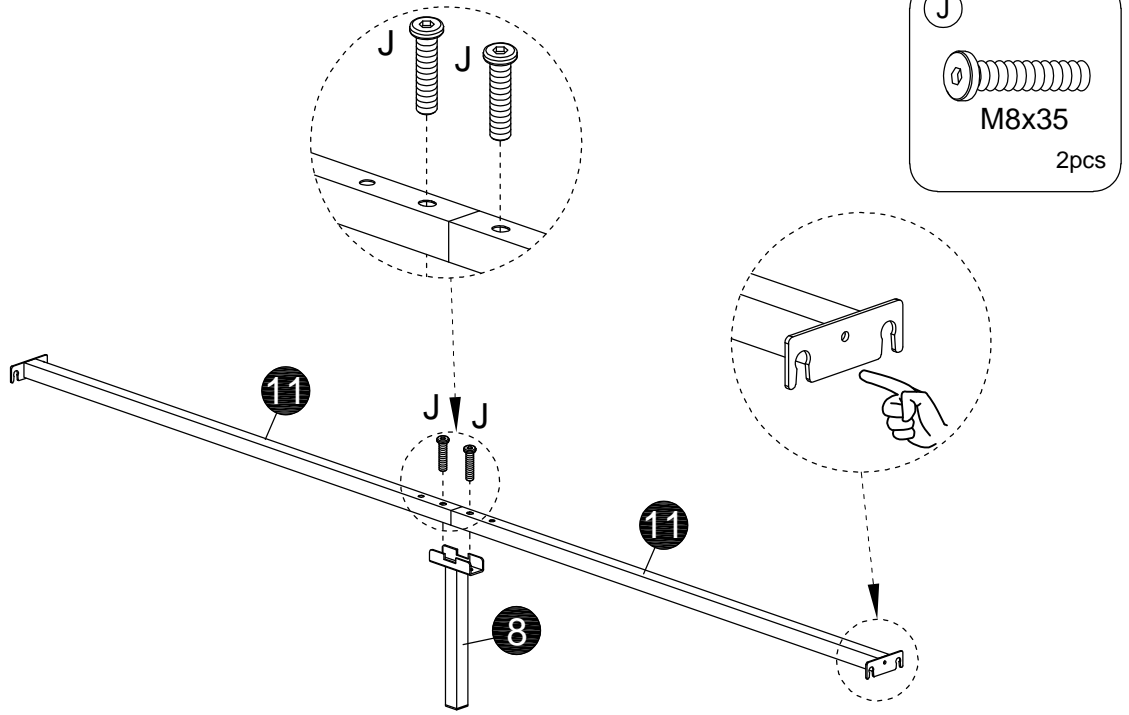


50% : means the screw no need to tightened.



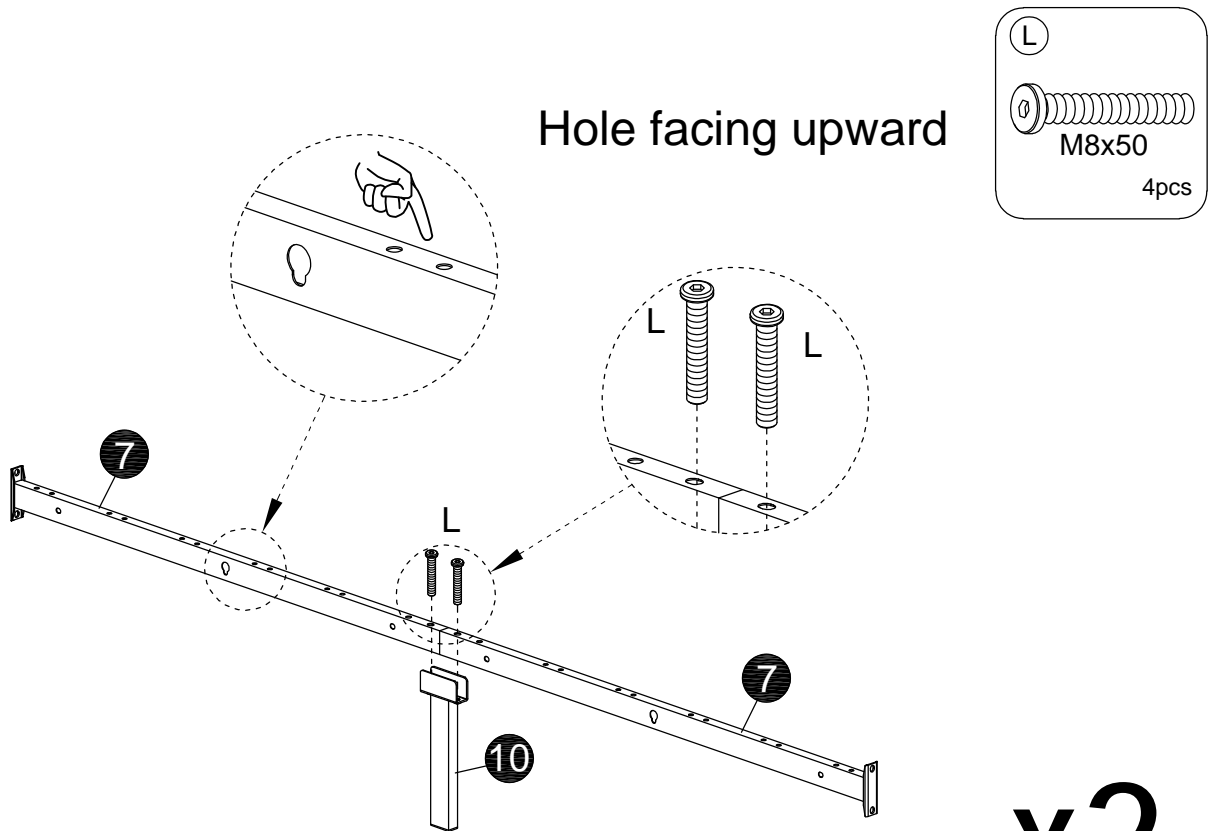
100%: means the screw needs to be tightened.

Step 5



100%: means the screw needs to be tightened.

Step 6

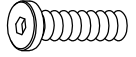


100%: means the screw needs to be tightened.

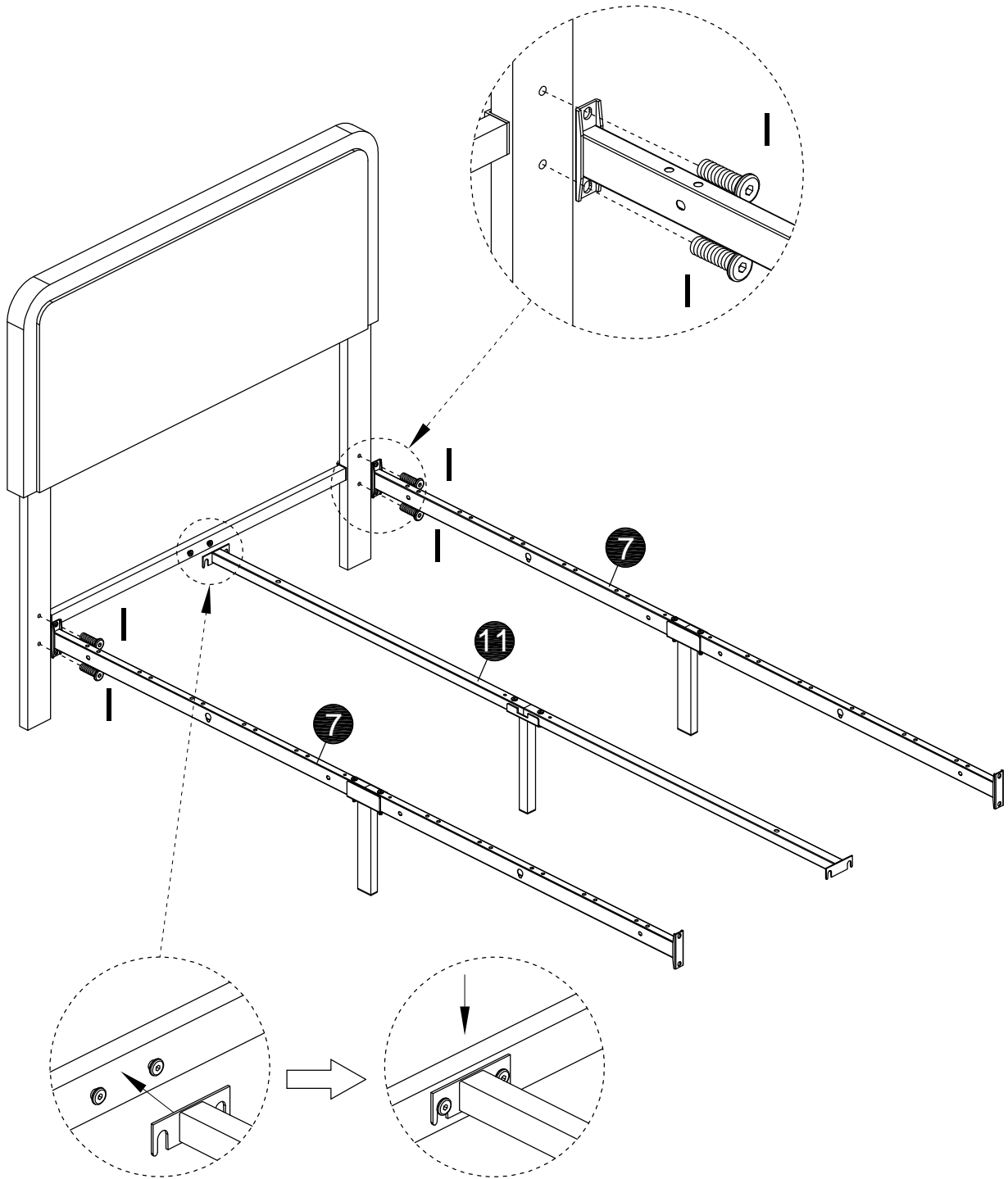
x2

Step 7

1



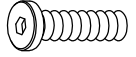
M8x25mm
4pcs



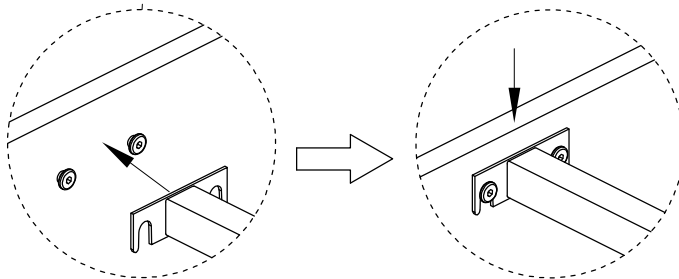
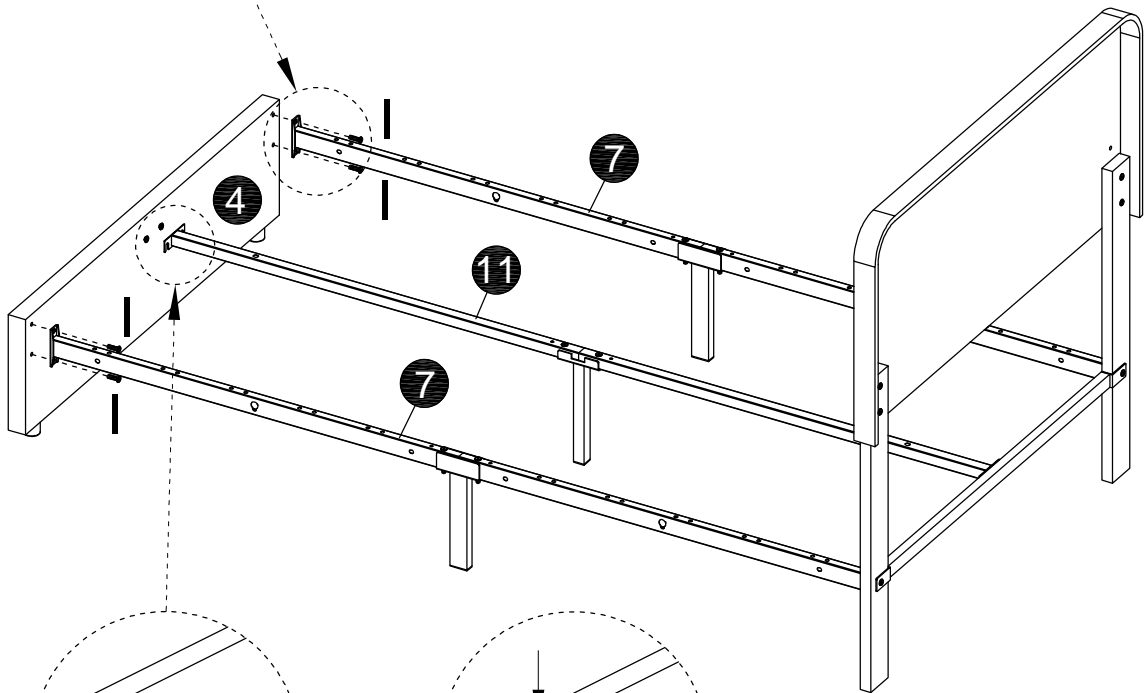
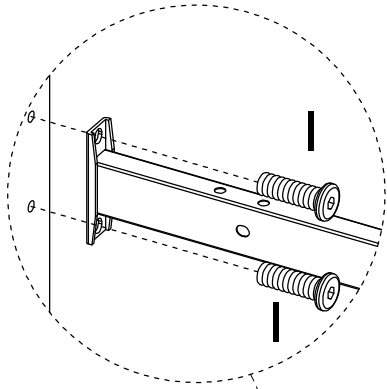
100%: means the screw needs to be tightened.

Step 8

1

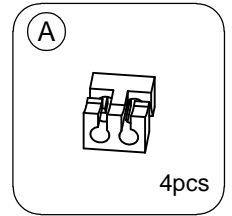
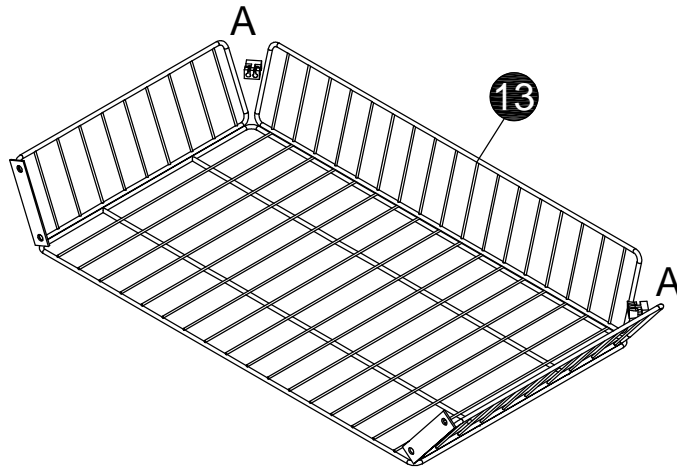


M8x25mm
4pcs

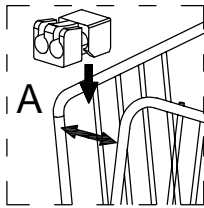


100%: means the screw needs to be tightened.

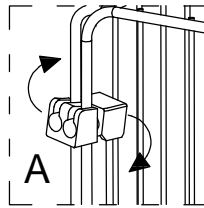
Step 9



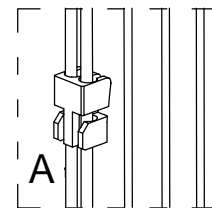
x2



1、 Take the A number accessory and insert it in the middle of the left and right steel bars, ensuring a tight fit.

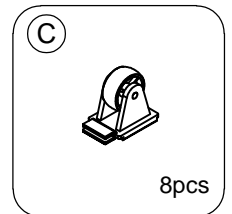
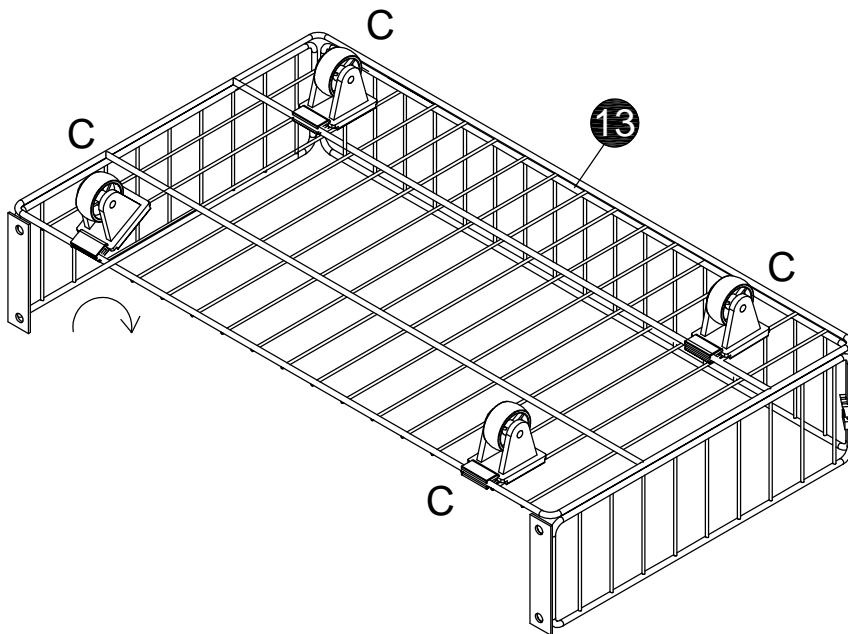


2、 Then, secure the steel bars in the inner and outer slots ensuring a tight fit.

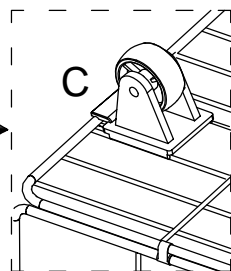
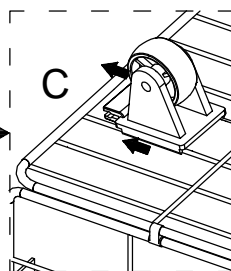
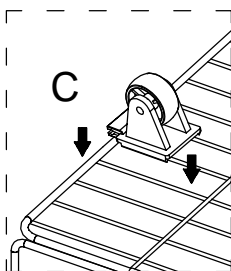


3、 Once all the steel bars are securely placed, the assembly is complete.

Step 10

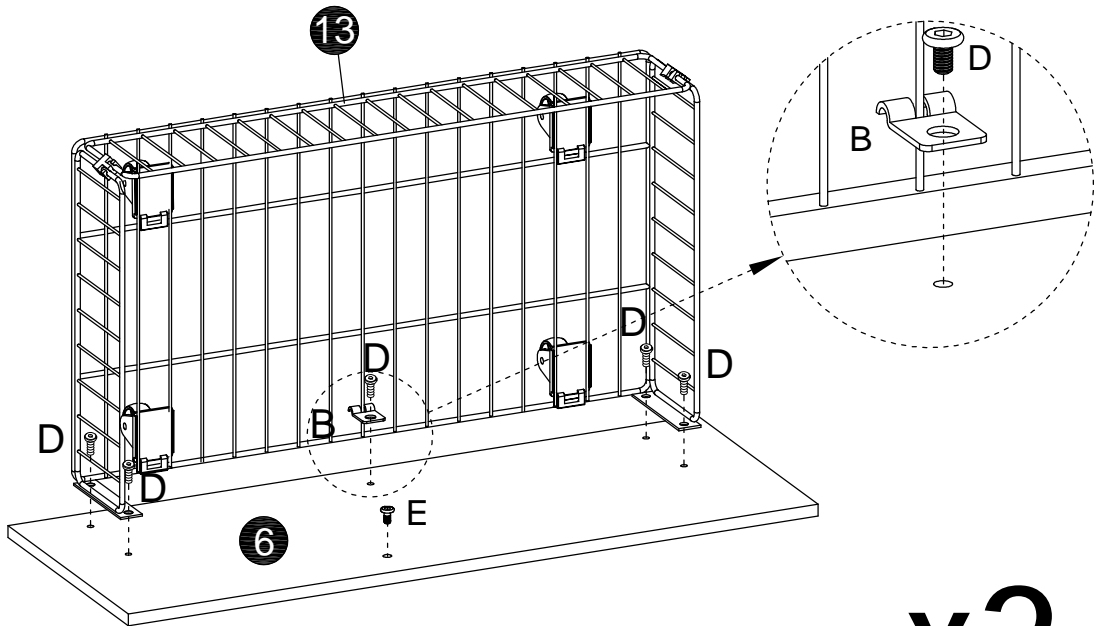
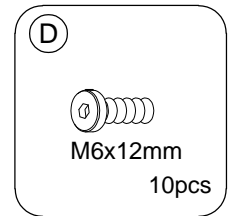
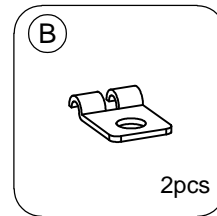
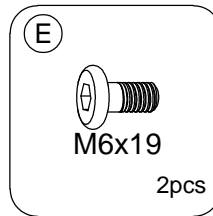


x2



x4

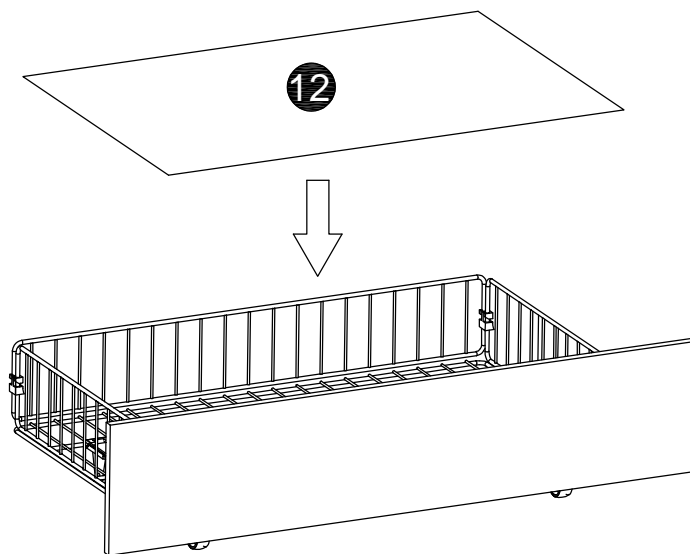
Step 11



100%: means the screw needs to be tightened.

x2

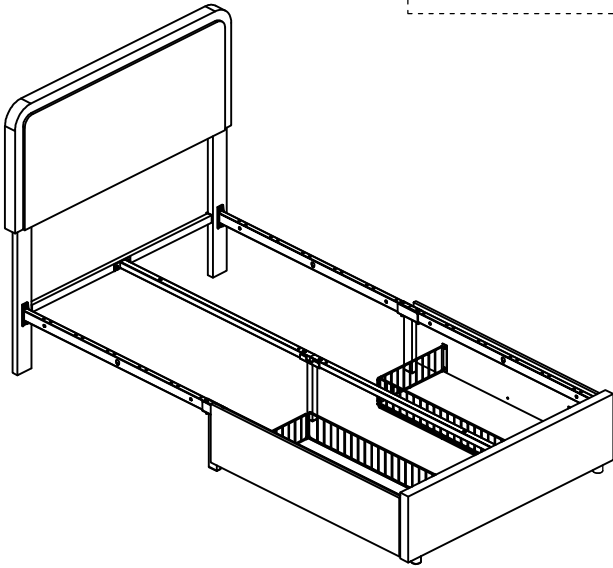
Step 12



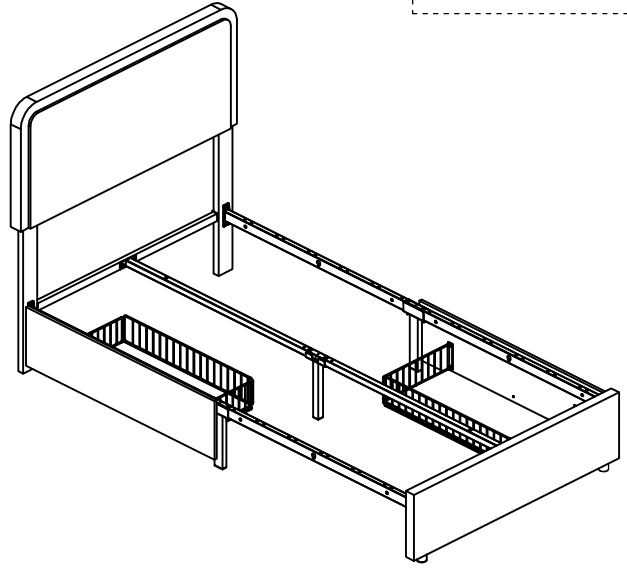
x2

Step 13

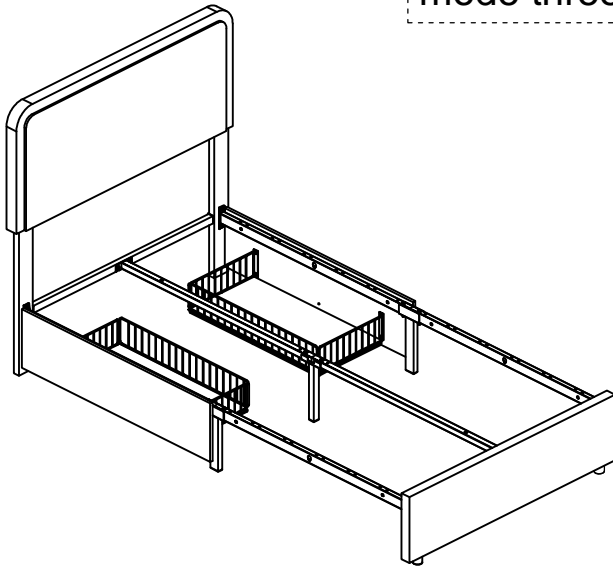
mode one



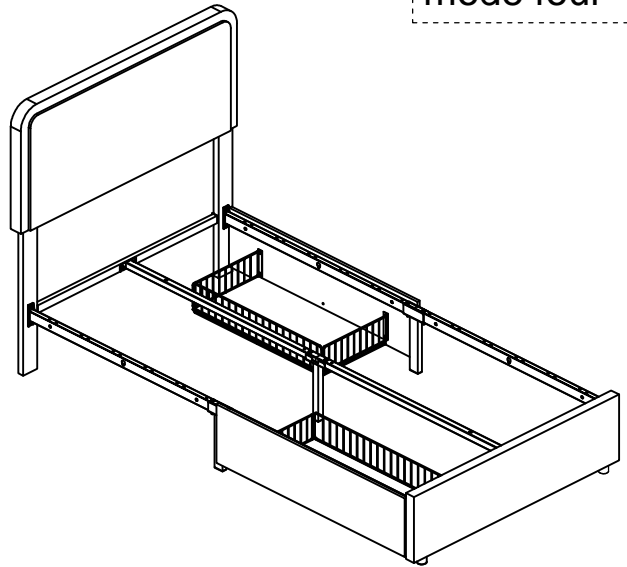
mode two



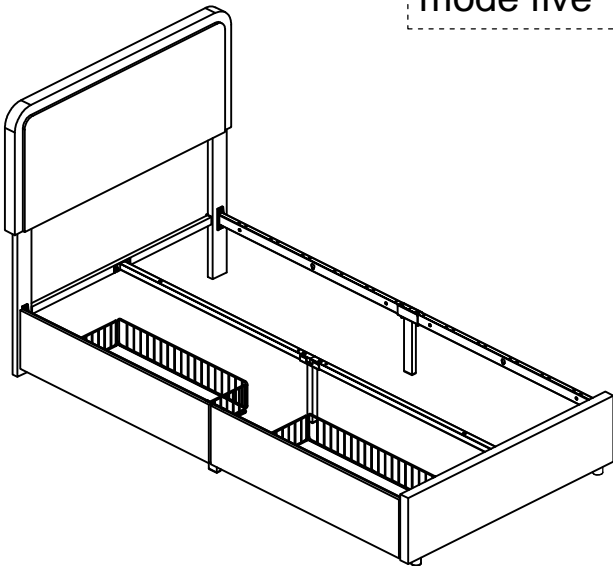
mode three



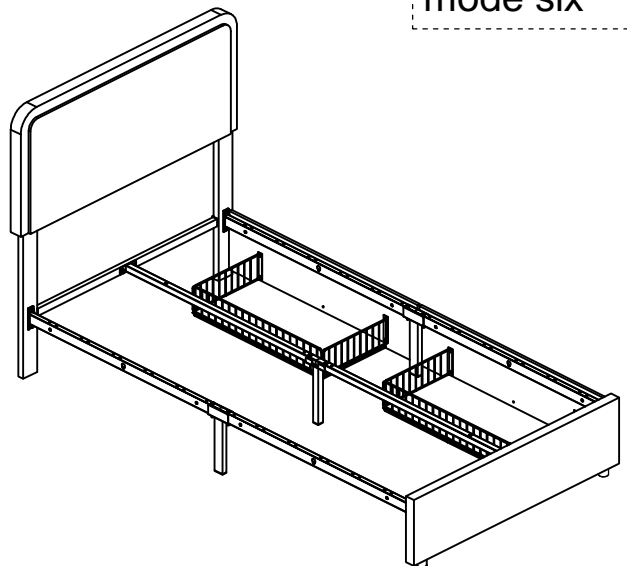
mode four



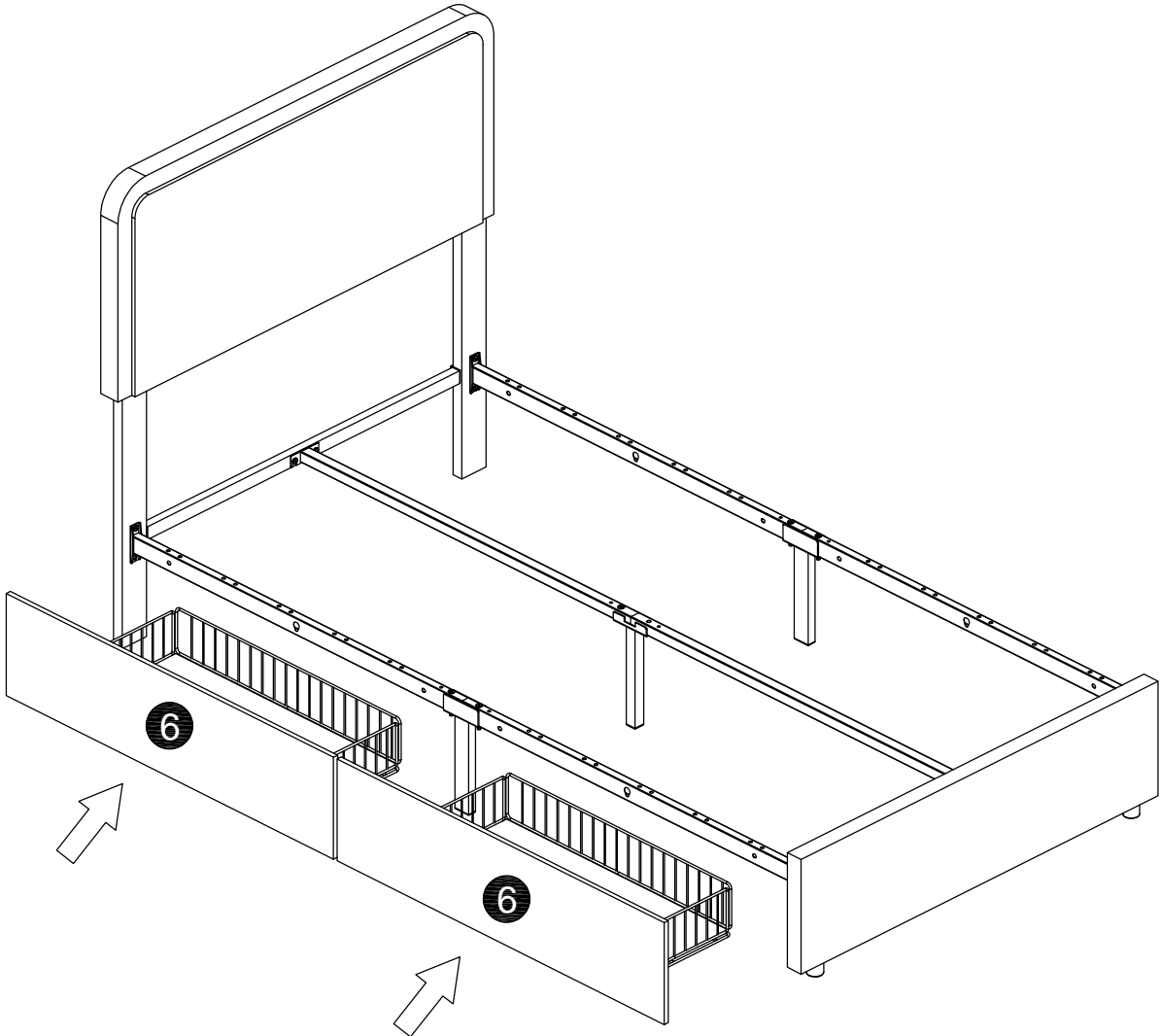
mode five



mode six




Step 14

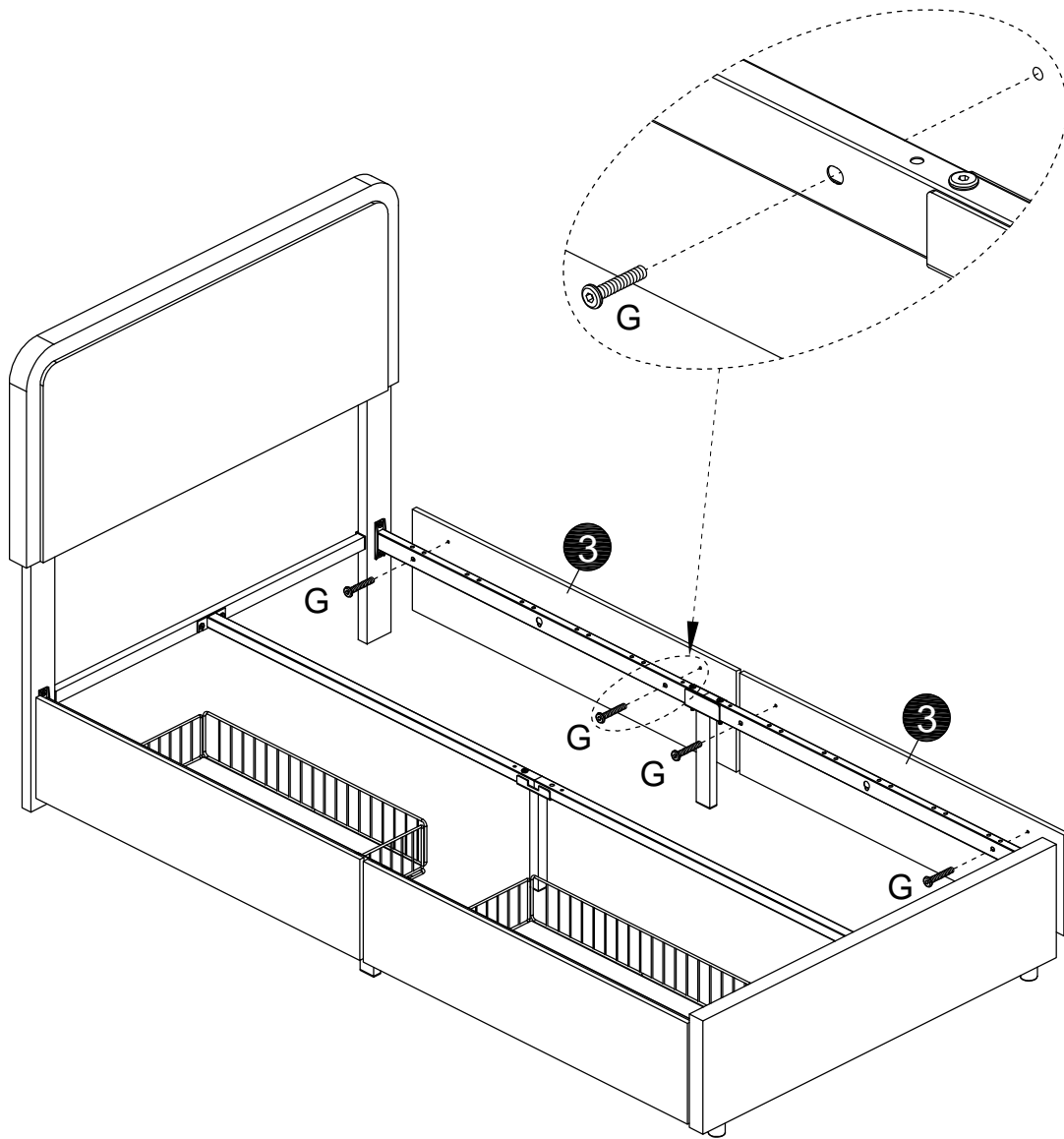


Step 15

G



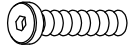
M6x35
4pcs



100%: means the screw needs to be tightened.

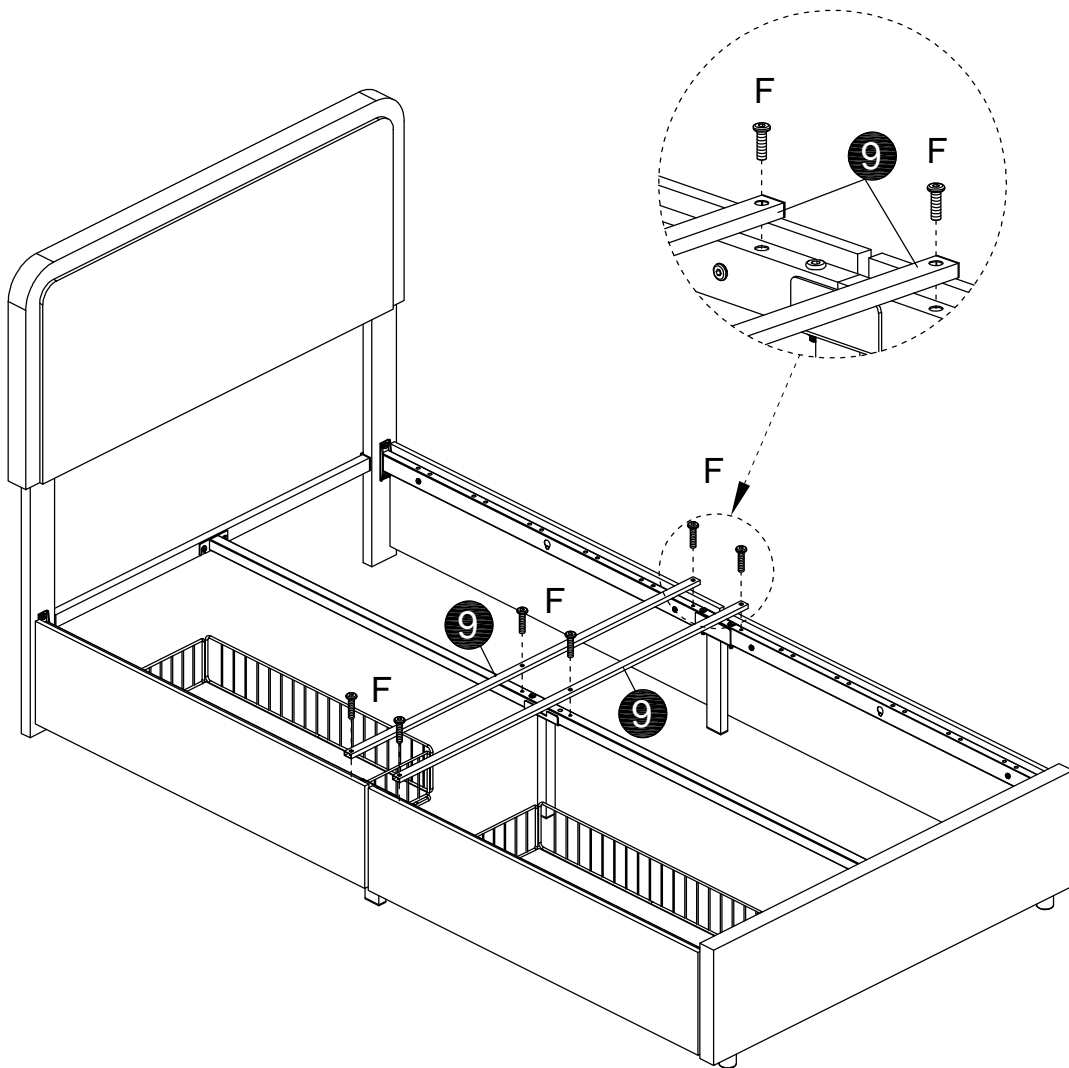
Step 16

(F)



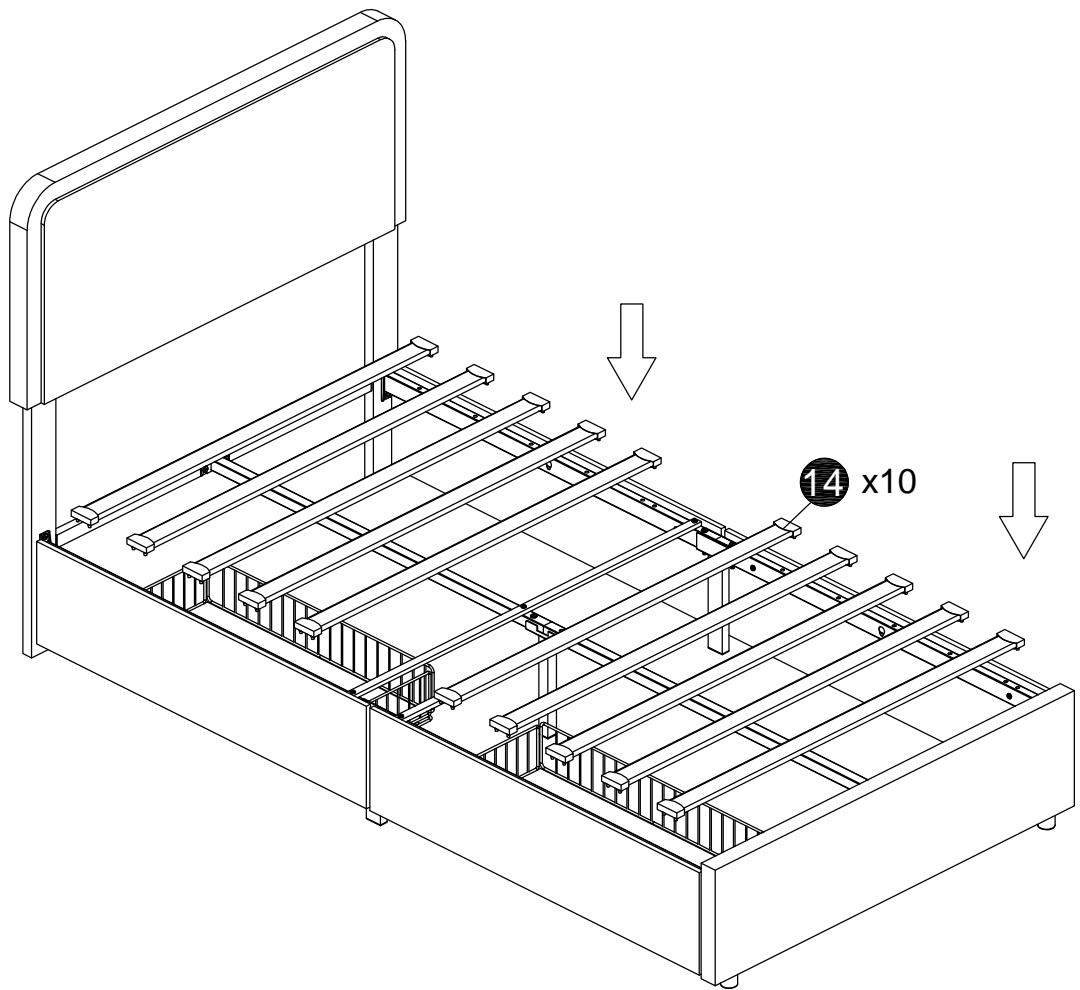
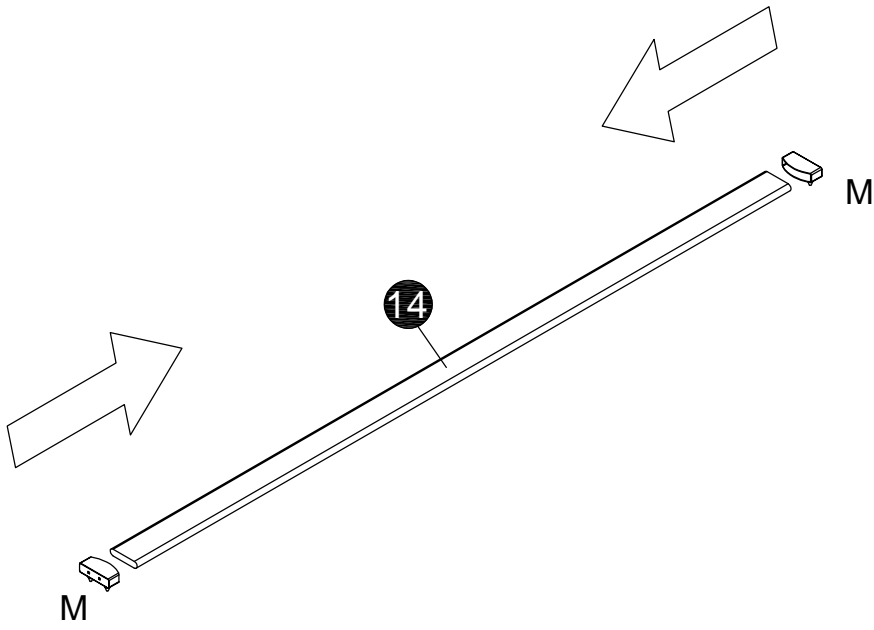
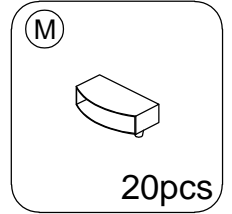
M6x25

6pcs



100%: means the screw needs to be tightened.

Step 17



IMPORTANT SAFETY INFORMATION

Please carefully read the instructions and caution warnings below before assembling the product. Following this guide will ensure that you install, use and maintain the product properly.

- Please keep this installation and user manual/instructions for future reference in case you need to assemble the product.
- Do not assemble if you notice serious damage such as cracks or bends.
- During installation, please use work gloves for hand safety.
- Please assemble the unit on carpeted floor or the flat cardboard box to avoid scratching the surface or your floor while assembling on the floor.
- To assemble, please use the complimentary installation tools (Allen Wrench). Pay more attention to the direction of components at each steps.
- It is recommended that two people work together to assemble the product.
- Please do not tighten the screws up too much, just to 80% before you finish to make the installation go on successfully.

RETURN POLICY

We believe you will absolutely love your new product. But for some reason you want to return your item, please contact us within 30 days after receiving and ensure that the product which you want to return is in a good condition in the original box with all original certificates of purchase, manuals and accessories attached.

HOW TO MAINTAIN YOUR PRODUCT:

- Check the screws of the product are not loose from regular use.
- Do not use sharp instruments, rubbing alcohol, corrosive chemicals, or abrasive cleaners to clean the product.
- Do not keep the product in a damp environment for a long period of time. The damp environment may cause the iron components to rust and the plates to bulge and crack.

How to find us?
Customer Service
Email: support@garvee.com.

Limited Liability & Warning

No Unauthorized Modifications/Repairs: Do not modify or attempt to repair this product unless you are an authorized technician. Unauthorized actions may create hazards and void all warranties

Misuse & Non-Compliance: We are not liable for any injury, damage, or loss resulting from:

- (a) misuse, abuse, neglect, or improper installation;
- (b) failure to follow instructions or safety precautions;
- (c) use of unauthorized parts/accessories;
- (d) unauthorized modifications/repairs;
- (e) accidents, natural disasters, or external causes.

If you doubt any step of installation or operation, stop using the product and contact authorized service or the customer support.

LIMITACIÓN DE RESPONSABILIDAD Y ADVERTENCIA

Modificaciones o Reparaciones No Autorizadas: NO modifique ni intente reparar este producto a menos que sea un técnico autorizado. Las acciones no autorizadas pueden generar riesgos y anularán todas las garantías.

Uso Indebido e Incumplimiento: No asumimos responsabilidad alguna por lesiones, daños o pérdidas que resulten de:

- (a) uso indebido, abuso, negligencia o instalación incorrecta;
- (b) incumplimiento de las instrucciones o precauciones de seguridad;
- (c) uso de piezas o accesorios no autorizados;
- (d) modificaciones o reparaciones no autorizadas;
- (e) accidentes, desastres naturales o causas externas.

Si tiene dudas sobre algún paso de la instalación o el funcionamiento, deje de usar el producto y póngase en contacto con el servicio técnico autorizado o con atención al cliente.

GARVEE
support@garvee.com