

INSTALLATION INSTRUCTIONS

WARNING: TO AVOID RISK OF ELECTRICAL SHOCK, BE SURE TO SHUT OFF POWER BEFORE INSTALLING OR SERVICING THIS FIXTURE.

Installation Steps

Step 1-2. Place the three LED light strips into the hole on the ceiling plate, and secure them to the ceiling plate by attaching the grounding wire-washer-nut in sequence.

Step 3. Connect the wires for the drive according to their orientation.

Step 4. Fix the suspension plate to the junction box with screws.

Step 5. Pull out the source wires from the outlet box. Finish wire connections by using wire nuts as follows:

---Connect the black wire from the light fixture to the black wire from the power source.

---Connect the white wire from the light fixture to the white wire from the power source.

---Attach the light fixture grounding wire to the mounting strap with the green grounding screw, and then connect it to the house grounding wire with a wire nut.

Put the wires back into the outlet box carefully.

Step 6-7. Attach the canopy onto the outlet box and tighten it with two nuts.

Step 8. Use the remote control to adjust the brightness.

WARM TIPS

1. Please cut off the power supply before installation to prevent electric shock.

(Certified Electrician is Recommended)

2. Due to the different display, the actual color can be different from the image. In manual measurement of lamp body size, there may be a deviation of 1-2 inches.

Hardware (Included)



Mounting Strap (A)



Screw (B)



Wire Nut (C)



Mounting Screw (D)



Green Grounding Screw (E)



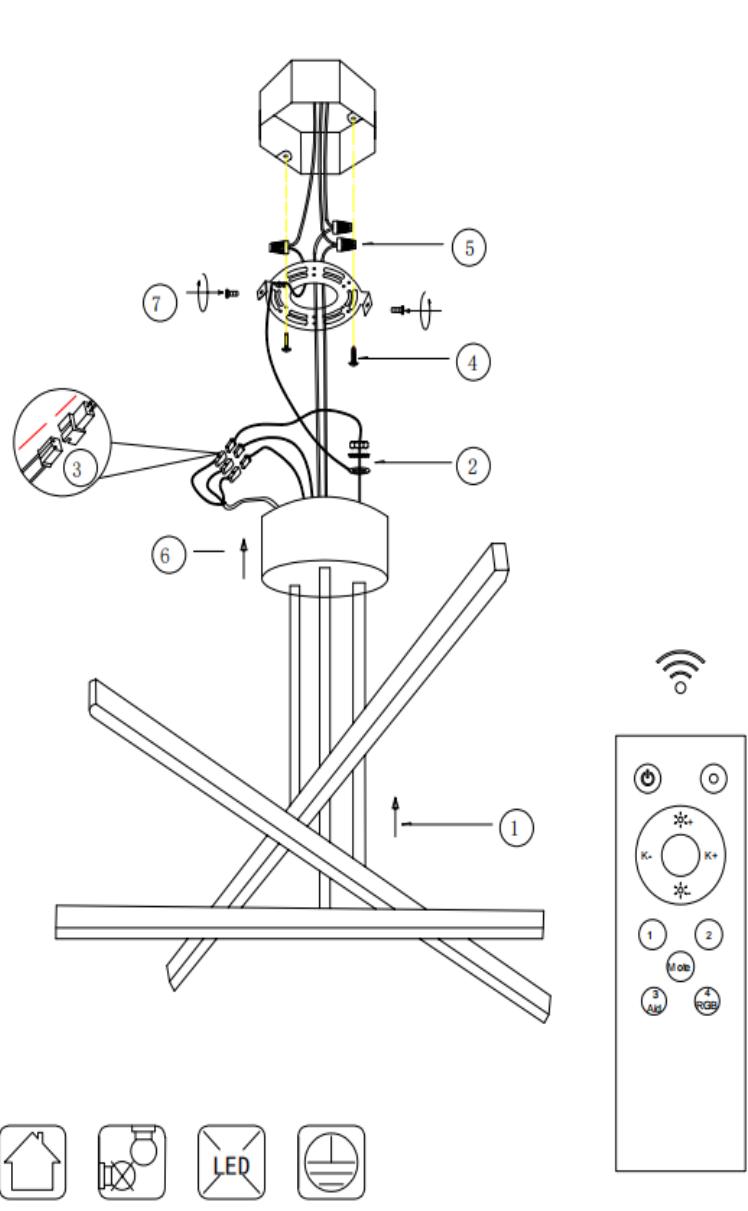
Lock Nut (F)



Canopy (G)



Ground wire (H)



About Our Service

We can provide parts replacement service, if there are any problems, please contact us at any time, we will deal with it ASAP.