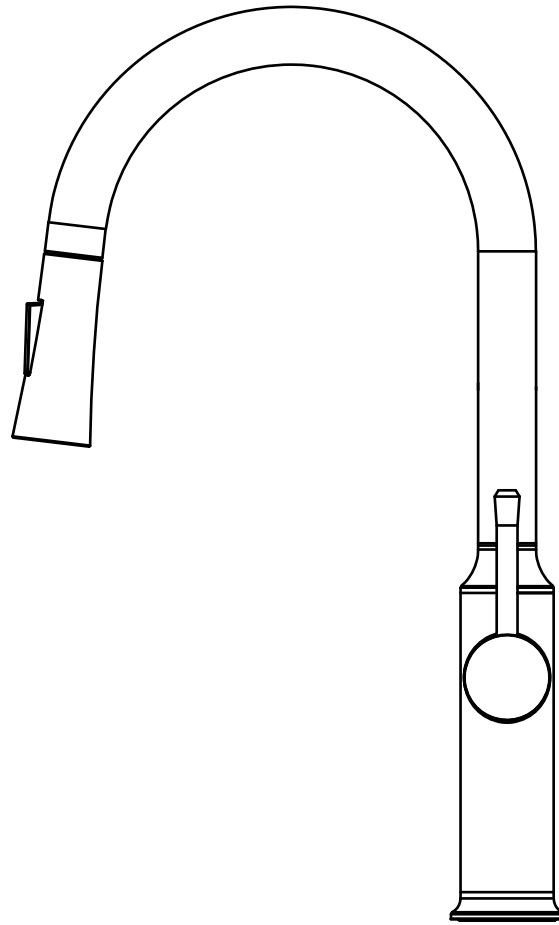


# Installation Manual

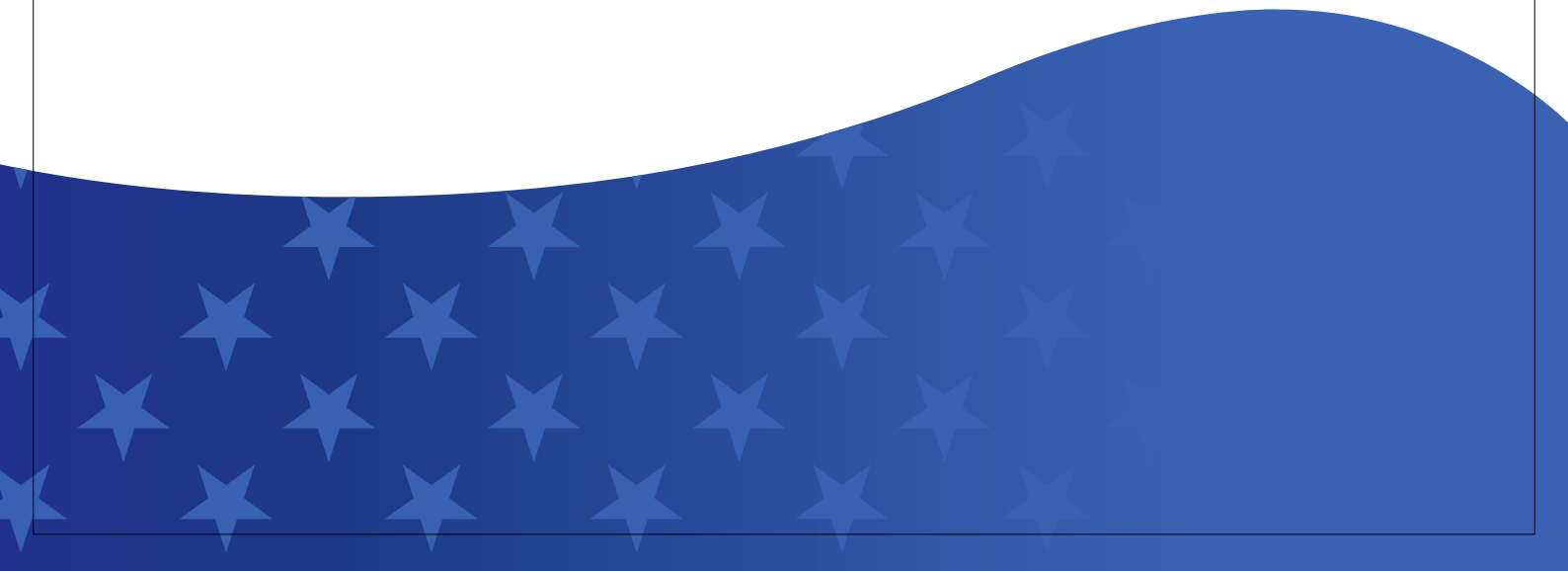


## Kitchen Faucet

Applicable Model: RX6016, RX6020, RX6087

# INDEX

1. Installation Guide ..... P01-P02
2. Installation Instruction ..... P03
3. Maintenance ..... P03
4. Troubleshooting ..... P04



## PRODUCT INSTRUCTION

- 1.Faucet Name: Non-Pullable Kitchen Faucet, Pull-Down Kitchen Faucet;
2. Manual Function: Handle Is For Turning On And Off Water, Adjusting Temperature, The Spout Tube Is Rotatable, With Pulldown Hose, Water Flow Is Switchable Between Spray And Stream.
3. Heathy Faucet: Lead-Free All Steel Faucet, in The Line With The National Drinking Water Standard, A Real Healthy Faucet
4. Convenience: in The Course Of Washing Hand, Cleaning Vegetable, Filing Water, Water On And Off Can Be Done By Just Turning The Handle, it is Real Convenient And Comfortable.
5. Hot And Cold Instruction: When Facing The Faucet, The Left Side Is For Hot Water, Right Side For Cold Water.

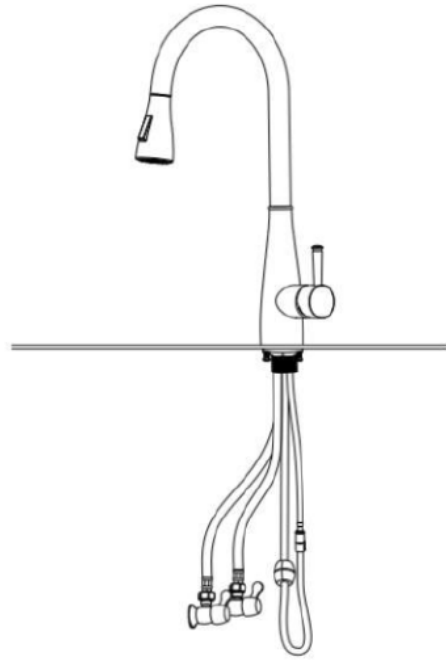
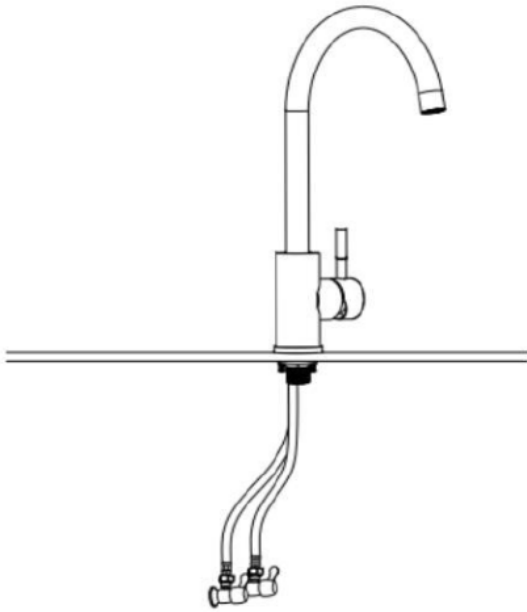
## Attentions Before Installation

- 1.Please Carefully Read This Instruction Before installation, And Keep The instruction Book, Warranty Card, Quality Certificate And invoice in Good Condition For Warranty In Future
- 2.Tools And Material For Installation: Screwdriver, Movable Wrench, 4 Pcs AA Baeries, Gloves ( See instruction Tool And Material Diagram For Details)

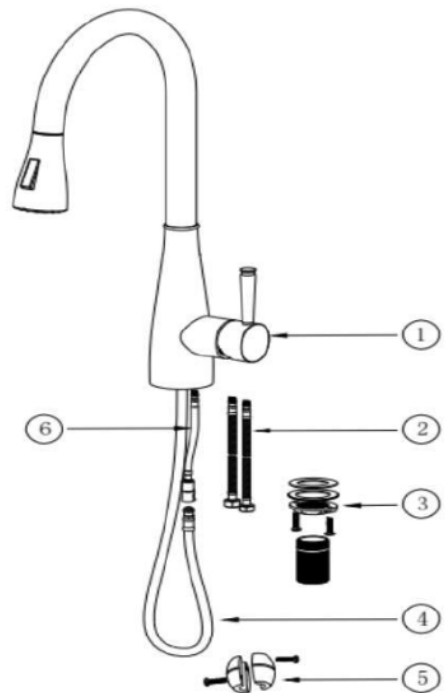
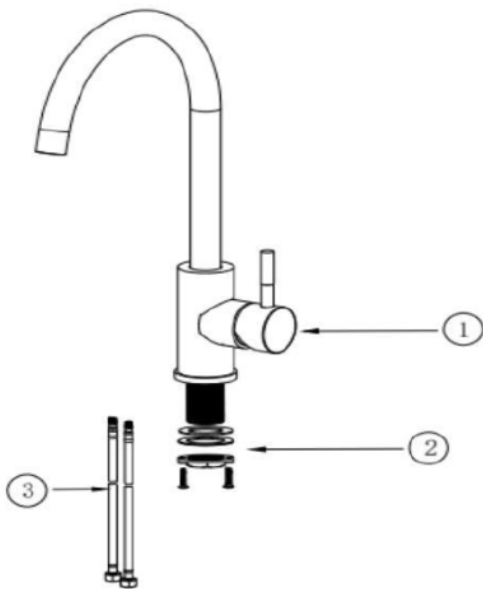
## STANDARD AND PARAMETER

|                                |                                     |
|--------------------------------|-------------------------------------|
| Implemented Standard           | Gb18145-2014                        |
| Applicable Medium              | City Water                          |
| Product Name                   | See Details On The Label Of Package |
| Working Pressure               | ≥1.0Mpa                             |
| Environmental Temperature      | 0°C-75°C                            |
| Connector Spec For Supply Line | G1/2 "                              |
| Model No.                      | See Details On The Label Of Package |
| Inspection Staff               |                                     |
| Data Of Production             |                                     |

# INSTALLATION DIAGRAM



## PRODUCT COMPONENT AND PARTS



## INSTALLATION TOOLS



Screwdriver

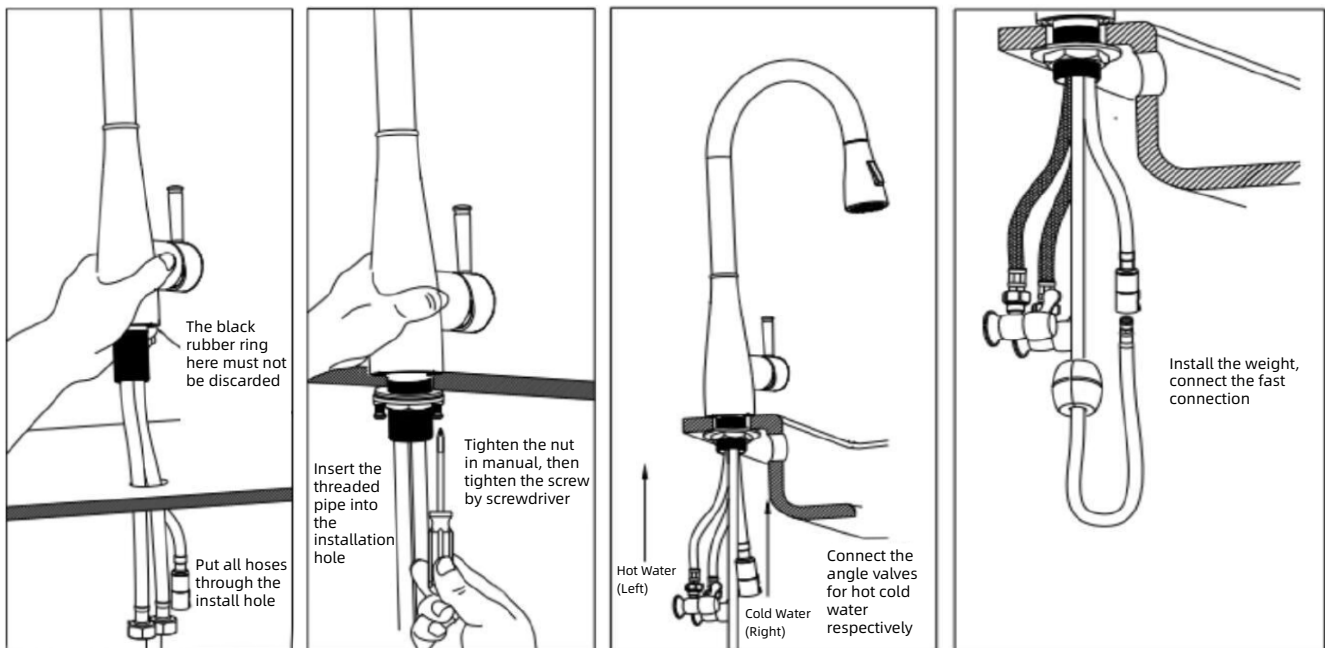
## INSTALLATION PROCESS

### 1. installation Of Faucet Body

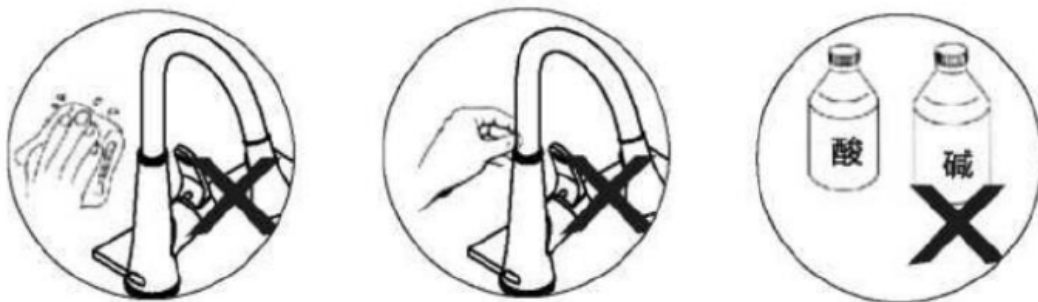
- ① Firstly Take Off The Nut, Metal Gasket From The Bottom Of The Faucet
- ② Insert The Faucet Base Along With All Parts including Pull-Down Hose And Supply Lines, into The Hole On The Countertop
- ③ Straighten Faucet Base, Put The Rubber Washer, Metal Gasket And Nut On The Threaded Pipe, And Tighten It.

### Attention :

1. All Hoses Must Be Covered in The Gasket And Nut
2. The Screw in The Nut Should Ensure That The Screw Should Not Protrude The Nut, if The Faucet Can Not Be Secured Well. Tighten The Screw To Strengthen



## INSTALLATION DIAGRAM



1. Faucet Cleaning: Often Clean The Faucet With Soft Cloths, Or Cleaning With Tooth Paste; Don't Clean The With Rough Object, Such As Rough Linen, Brushes, Iron Sand Etc., To Avoid Function Failure And Product Damage.
2. Suggestion: Clean The Screen Filter In The Faucet Spout Regularly For Pulldown Faucet, Directly Clean The Screen Filter For Non-Pullable Faucet, To Secure The Water Output Performances
3. Don't To Shake The Faucet, Otherwise It Is Easy To Cause Product Failure
4. Can Not Use Strong Acid And Alkali Detergents For Cleaning.

## Common Troubleshooting

| ABNORMAL PHENOMENON   | POSSIBLE CAUSES   | ELIMINATION METHODS   |
|---|---|---|
| <ul style="list-style-type: none"> <li>• No Water Out</li> </ul>                                      | <ul style="list-style-type: none"> <li>• No Water Supply Or Faucet Is Not Yet Turned On</li> <li>• City Water Pipe Or Income Supply Line Been Blocked</li> <li>• Faucet Spout Is Too Dirty To Be Blocked</li> <li>• The Hole Of Cartridge Is Blocked By Debris</li> </ul>   | <ul style="list-style-type: none"> <li>• Check And Flushing</li> </ul>  |
| <ul style="list-style-type: none"> <li>• Can Not Turn Off Water Or Water Leakage</li> </ul>           | <ul style="list-style-type: none"> <li>• Fail To Operate According To instruction, Or Parts Don'T Not Yet Be Tightened</li> <li>• Less, Missing Or Wrongly install Connector Nut Sealing Ring</li> <li>• The Sealing Ring Is A Little Larger Or Smaller</li> <li>• Long Time Use, Sealing Ring Is Worn Or Aged</li> </ul> | <ul style="list-style-type: none"> <li>• Check If Less , Missing Or Wrongly install</li> <li>• Install With Required Standard Sealing Ring</li> </ul>   |
| <ul style="list-style-type: none"> <li>• Accessories Can Not Be Assembled Or Water Leakage</li> </ul> | <ul style="list-style-type: none"> <li>• Install With Non-Factory Matching Parts</li> <li>• Using Incorrect Maintaining Methods</li> </ul>  | <ul style="list-style-type: none"> <li>• Check For Original Factory Parts</li> </ul>  |
| <ul style="list-style-type: none"> <li>• Low Rate Of Flowing</li> </ul>                               | <ul style="list-style-type: none"> <li>• Too Low Water Pressure From Water Sources</li> <li>• Faucet Switch is Not Completely Opened</li> <li>• Inside Of Water Supply Line Is Blocked</li> <li>• Output Hole Of Cartridge Is Partially Blocked</li> <li>• Screen Filter of Output Spout Is Blocked</li> </ul>            | <ul style="list-style-type: none"> <li>• Refer To Product Spec Datasheet</li> <li>• Check if Water Pressure Is Normal</li> <li>• Check if The input Supply Line is Smooth</li> <li>• Flushing Screen Filter In Spout</li> </ul> |
| <ul style="list-style-type: none"> <li>• Water Temperature Can Not Matched With Label</li> </ul>      | <ul style="list-style-type: none"> <li>• Hot Or Cold Water Output Is Not Matched With Marking</li> </ul>  | <ul style="list-style-type: none"> <li>• Check install Problems For Hot Or Cold Water Pipe</li> </ul>   |