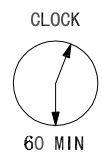
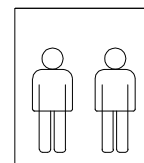
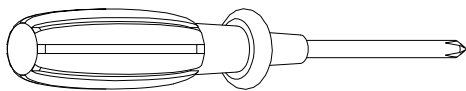


DO NOT TIGHTEN ALL THE SCREWS BEFORE YOU FINISH ASSEMBLY

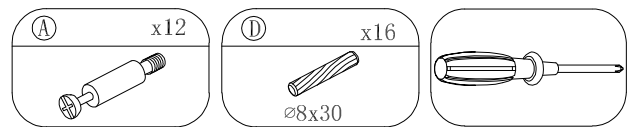
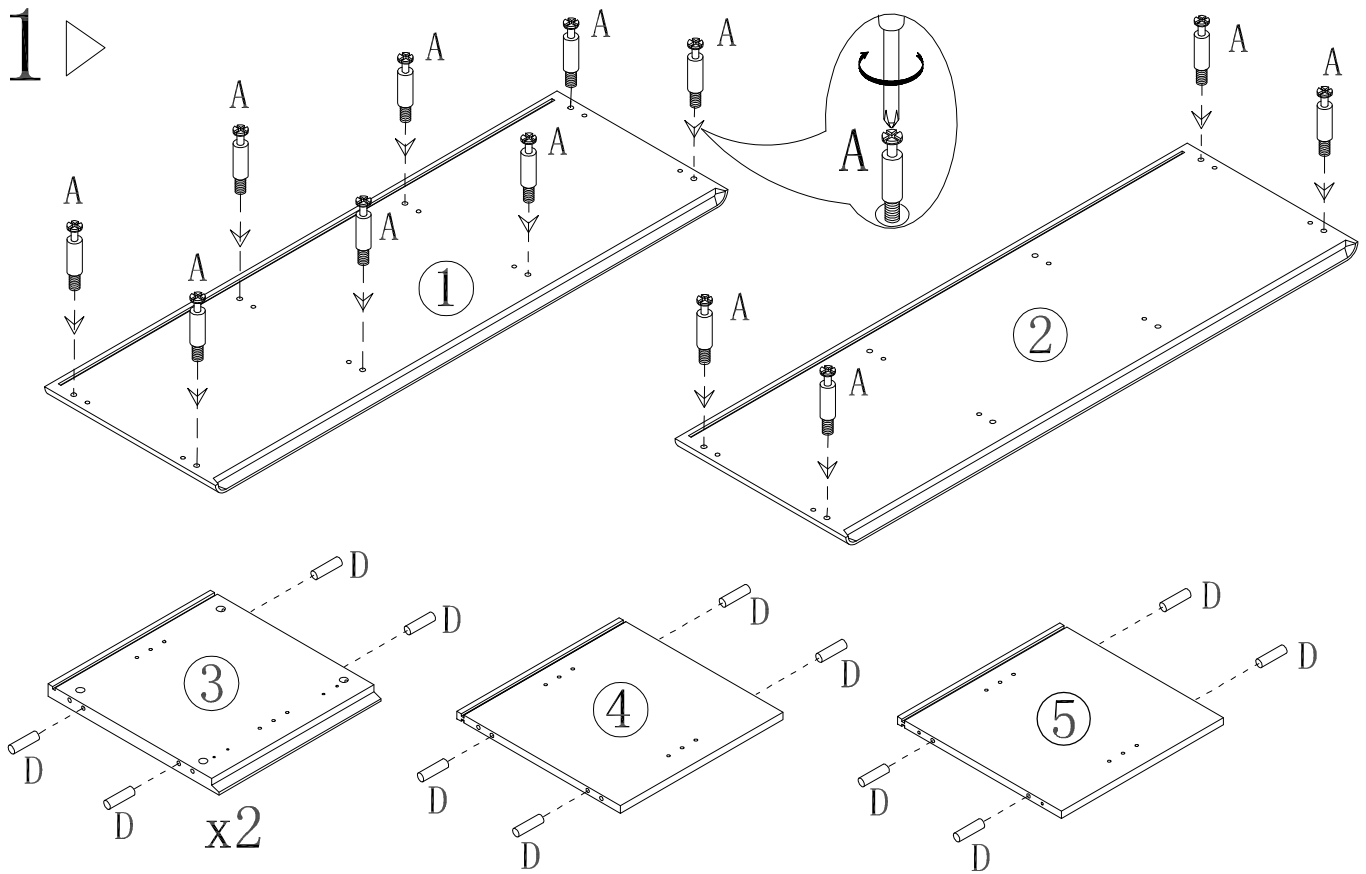


OUTILLAGE. TOOLS. WERKZEUG. HERRAMIENTA. ATTREZZATURA

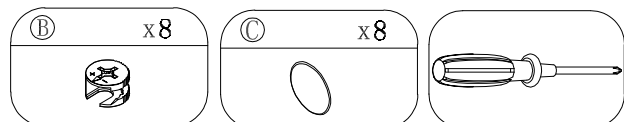
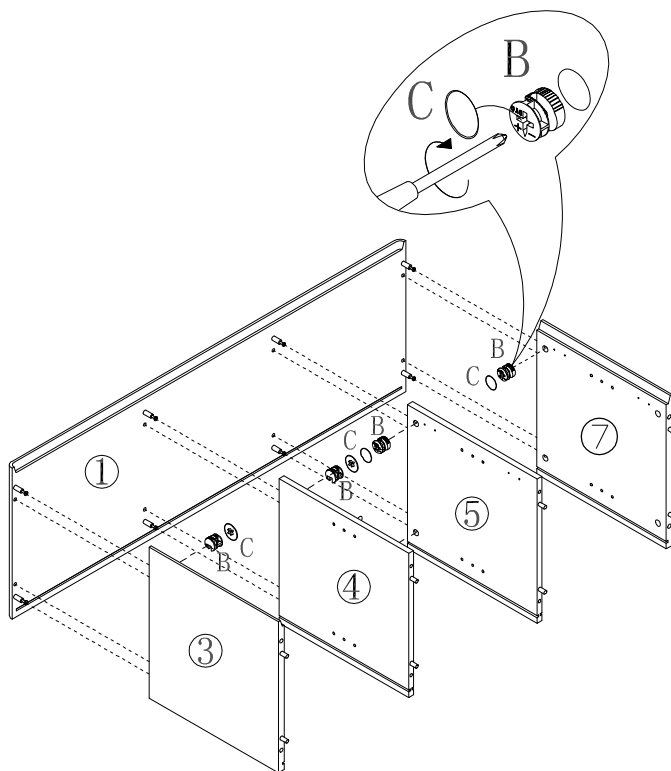
(A) x12 	(B) x12 	(C) x12 	(D) x16 ø8x30	(E) x4 ø6x48	(F) x4
(G) x38 ø4x15	(H) x8 ø6x40	(I) x2 	(J) x12 ø6*18mm	(K) x1 	(L) x2
(N) x8 	(O) x8 Ø3*18 mm	(P) x2 			

QUINCAILLERIE. HARDWARE. BESCHLAGE. FERRETERIA. CHINCAGLIERIA

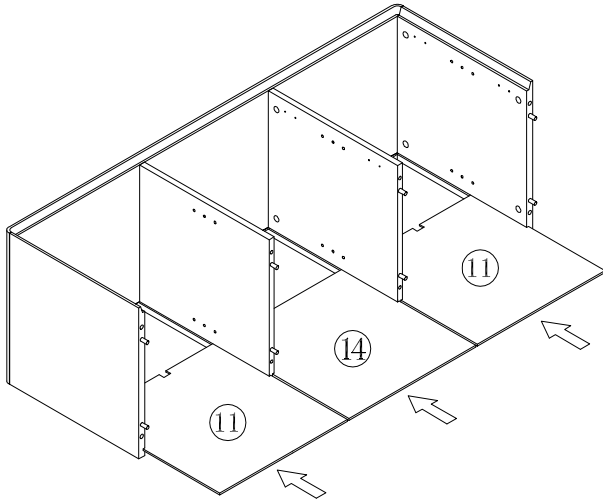
1



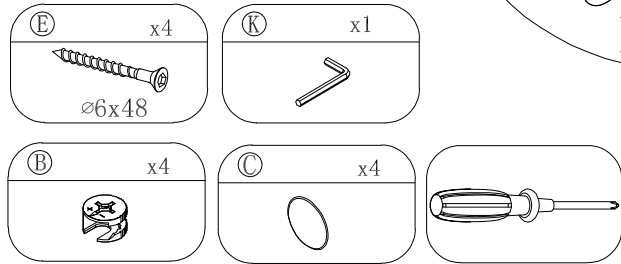
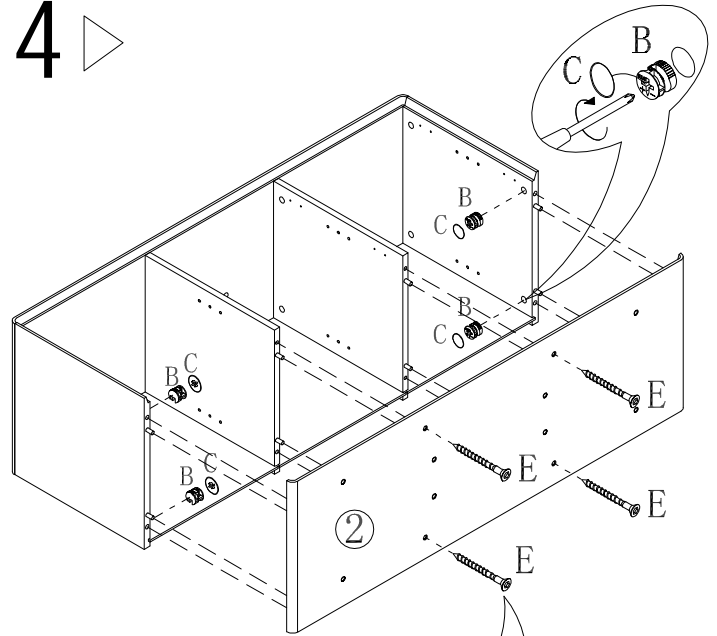
2



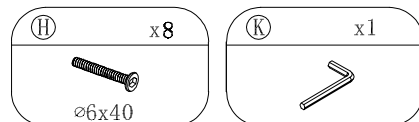
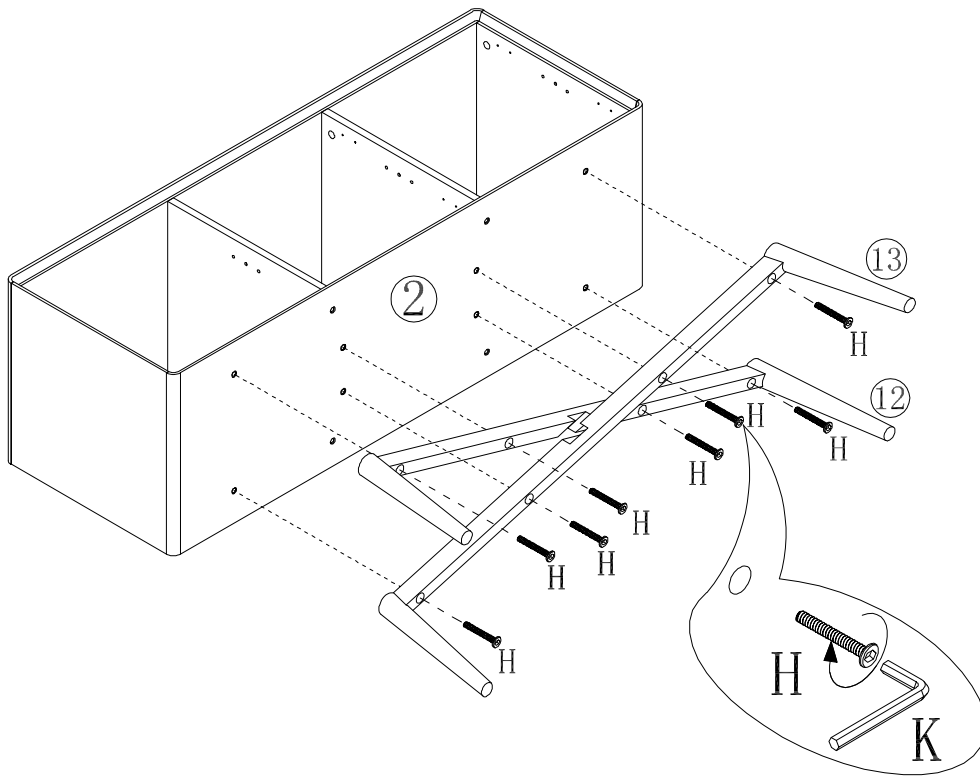
3



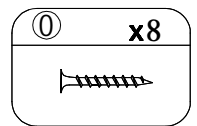
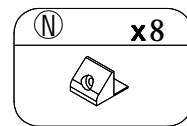
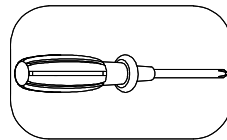
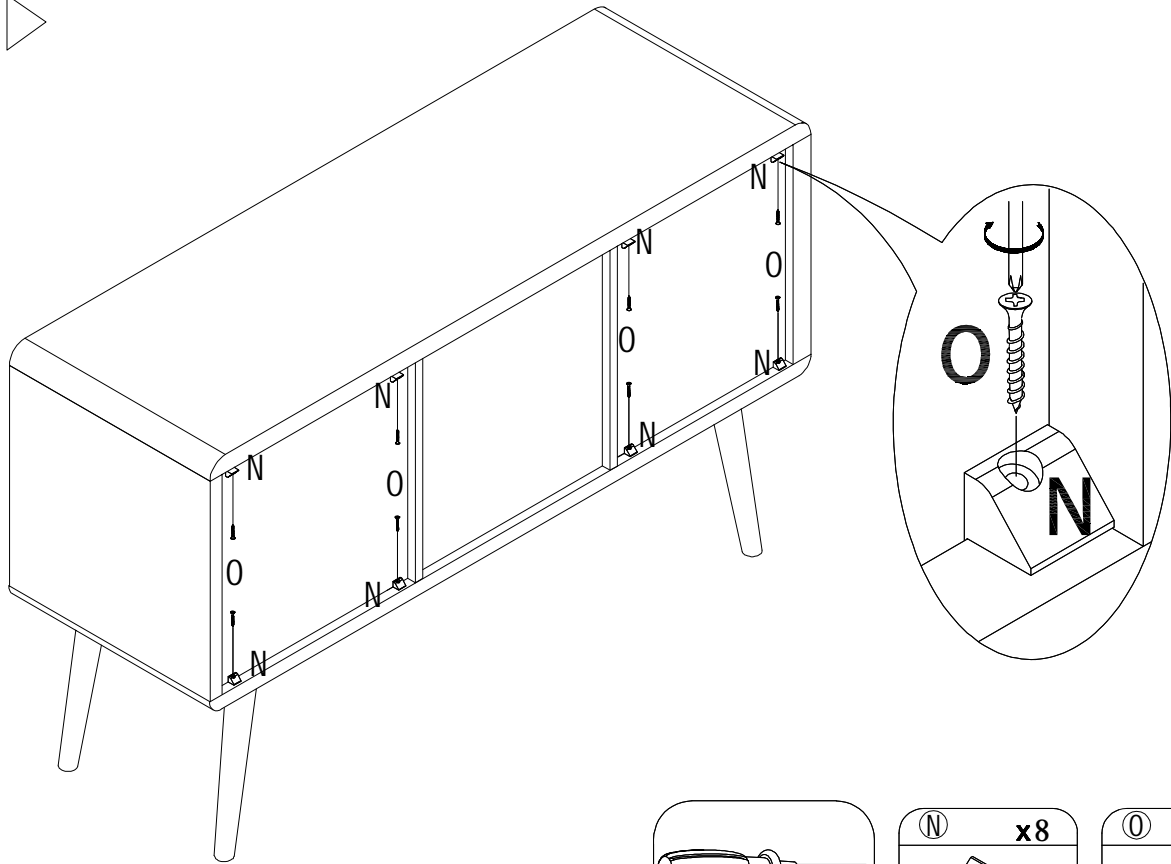
4



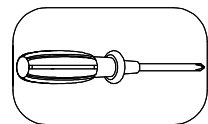
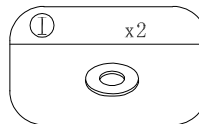
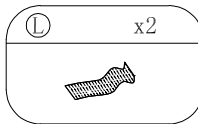
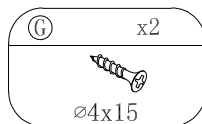
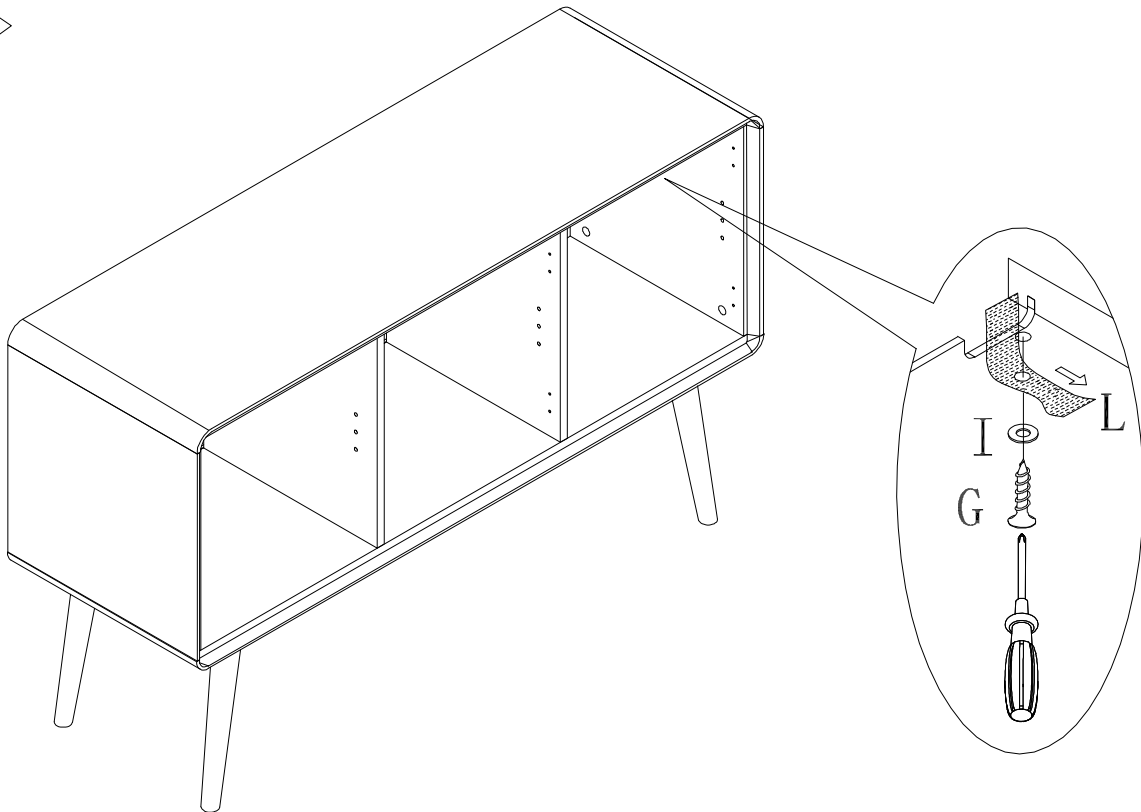
5



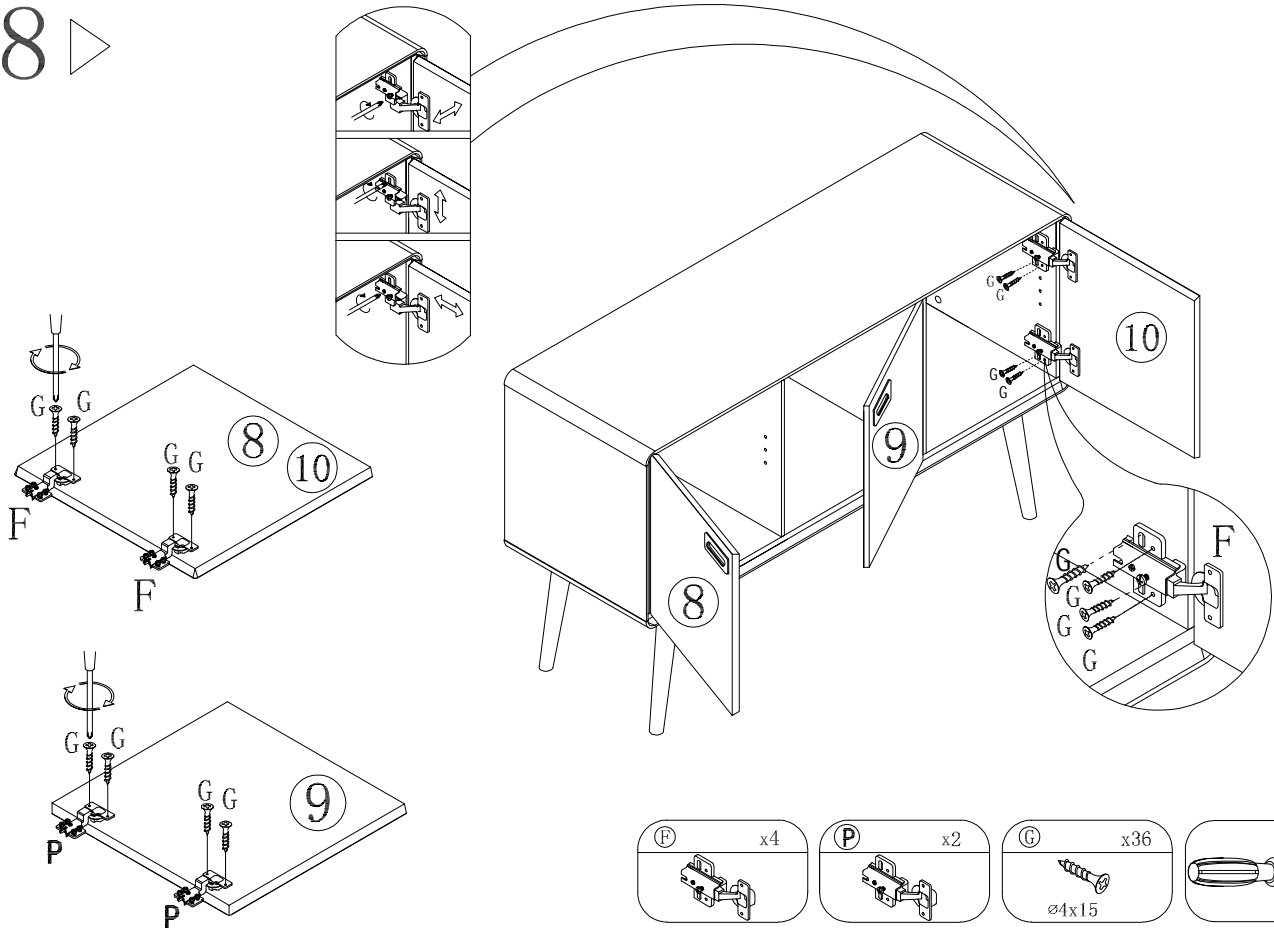
6 ▷



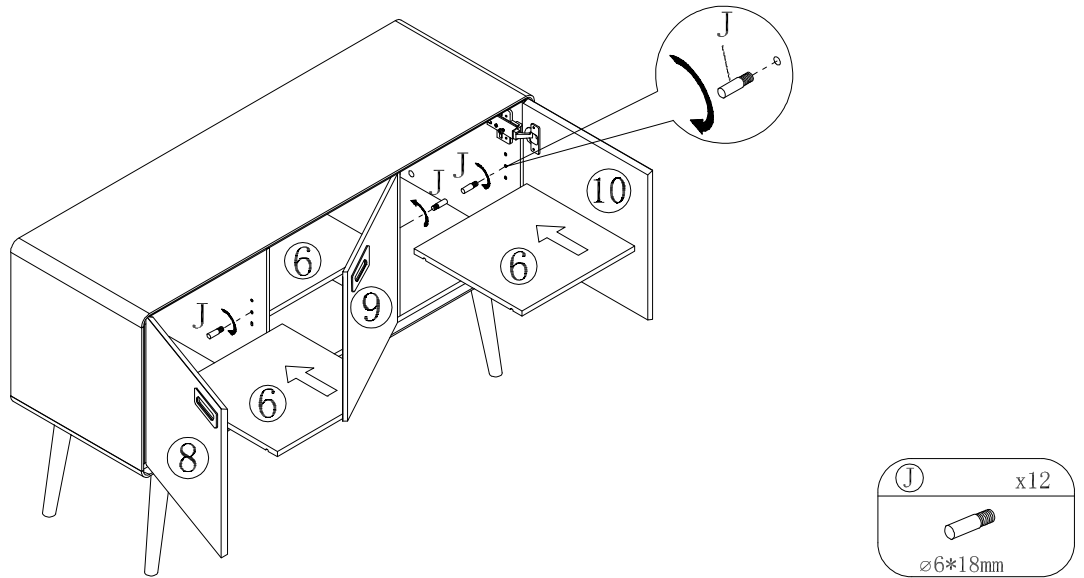
7 ▷



8 ▷



9 ▷



10 ▷

