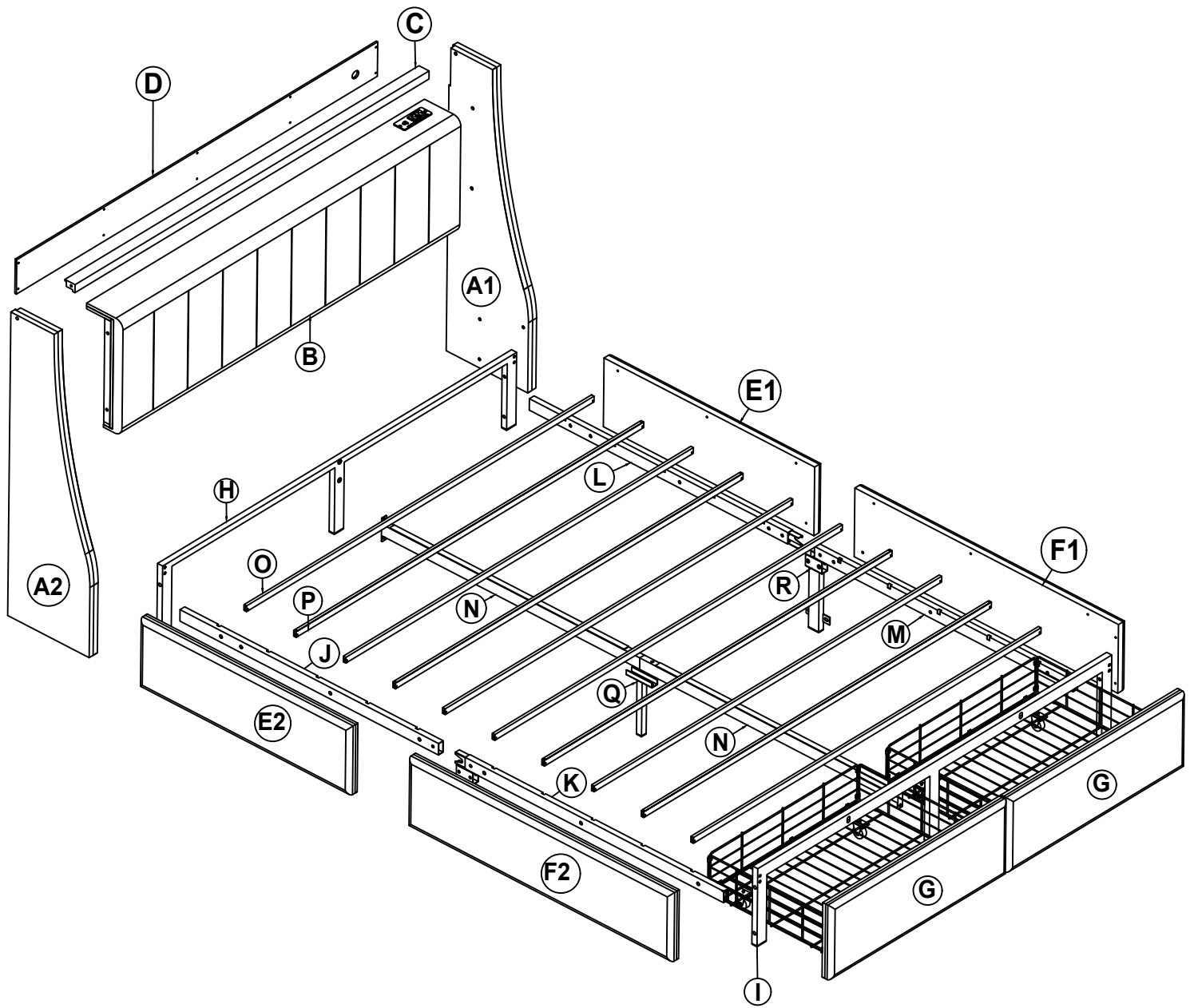
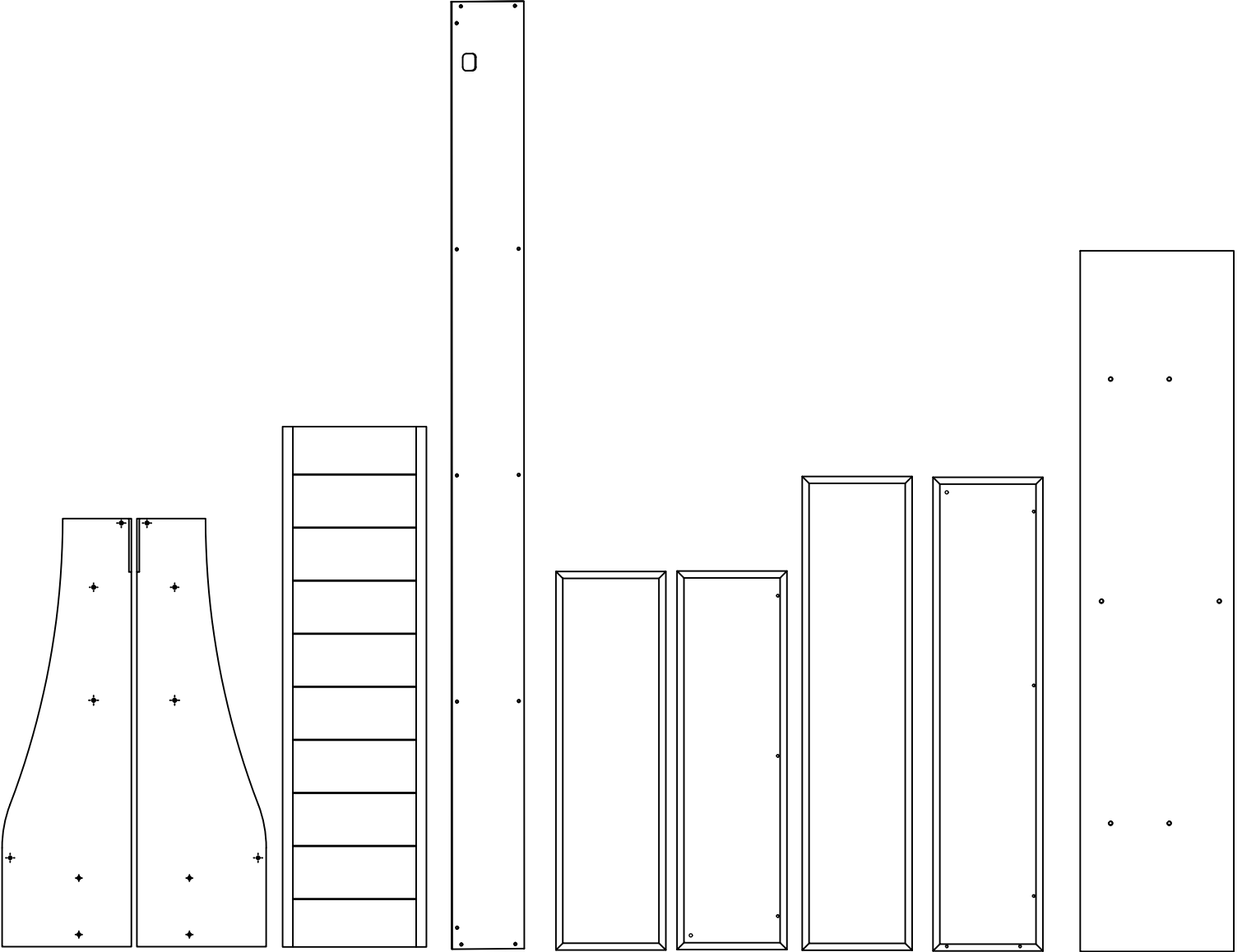


PRODUCT GUIDE AND INSTALLATION MANUAL



Parts List:



A2

1pcs

A1

1pcs

B

1pcs

D

1pcs

E1

1pcs

E2

1pcs

F1

1pcs

F2

1pcs

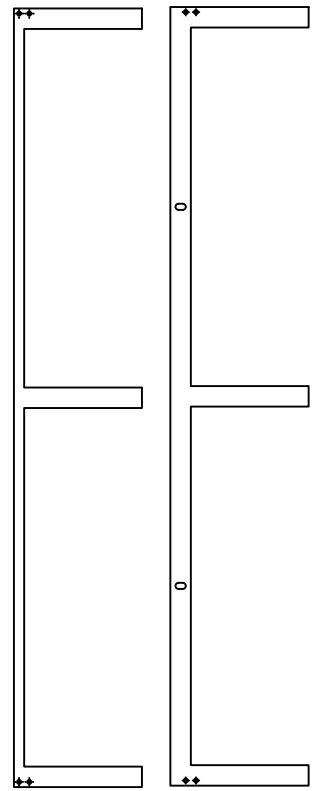
G

2pcs

Parts List:

Double-sided tape

EVA

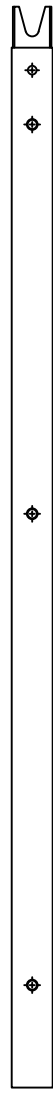


(H)
1pcs

(I)
1pcs



(J)
1pcs



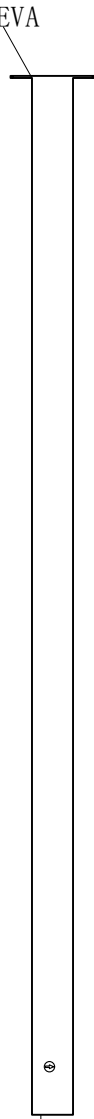
(K)
1pcs



(L)
1pcs



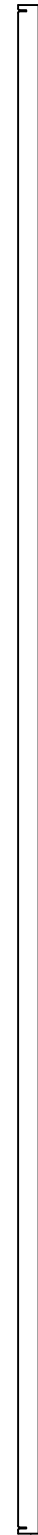
(M)
1pcs



(N)
2pcs



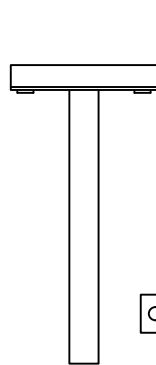
(O)
6pcs



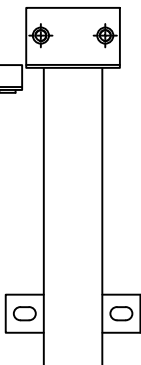
(P)
4pcs



(C)
1pcs

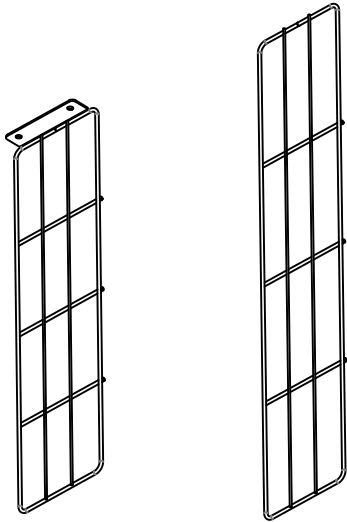


(Q)
1pcs



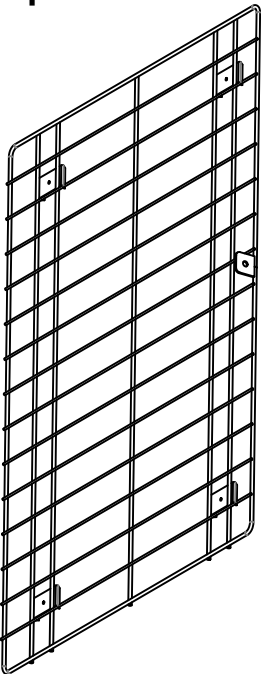
(R)
2pcs

Parts List:

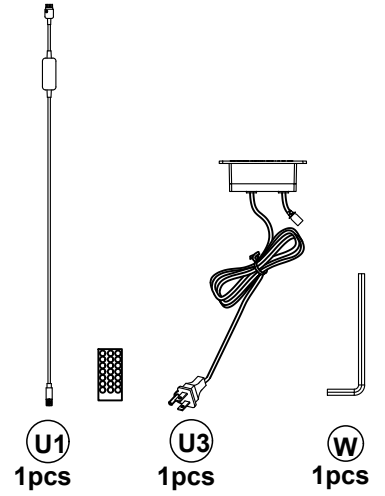


Z2
4pcs

Z3
2pcs



Z4
2pcs



U1
1pcs

U3
1pcs

W
1pcs



Washer Ø 6xØ 18mm

X
2pcs



M6x40mm

M6x45mm

M6x55mm

T3
4pcs

T4
4pcs

T5
8pcs

M4x15mm

M6x15mm

M6x30mm

V
16pcs

T1
14pcs

T2
12pcs

M8x35mm

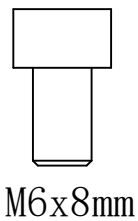
M8x55mm

M8x15mm

Y1
12pcs

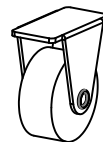
Y2
2pcs

Y3
4pcs

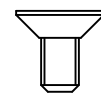


M6x8mm

Z8
2pcs

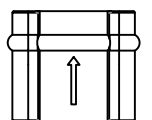


Z5
8pcs



M4x6mm

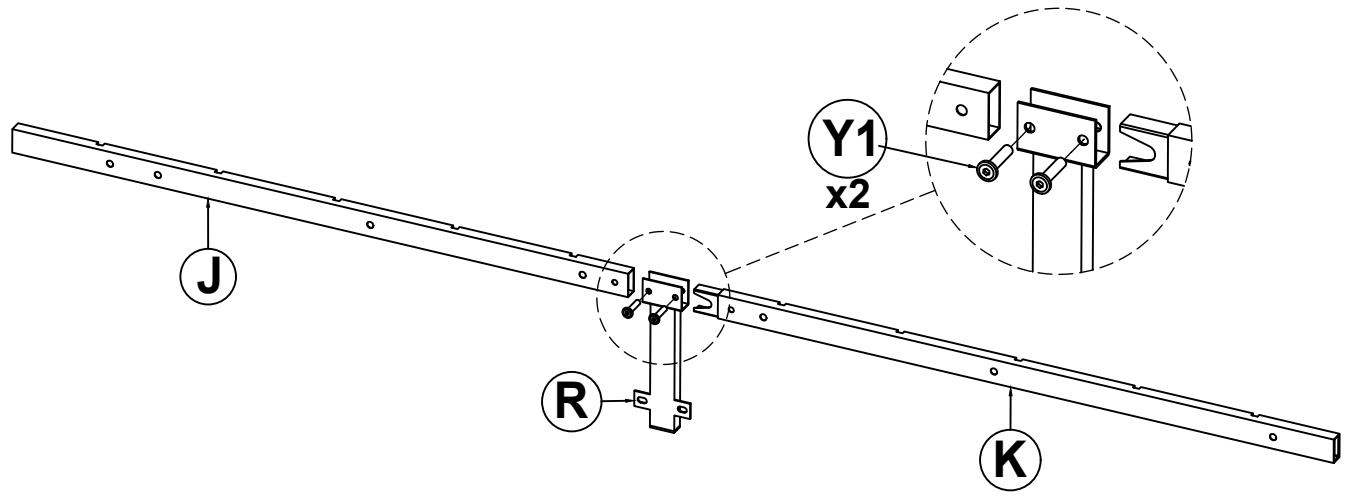
Z6
8pcs



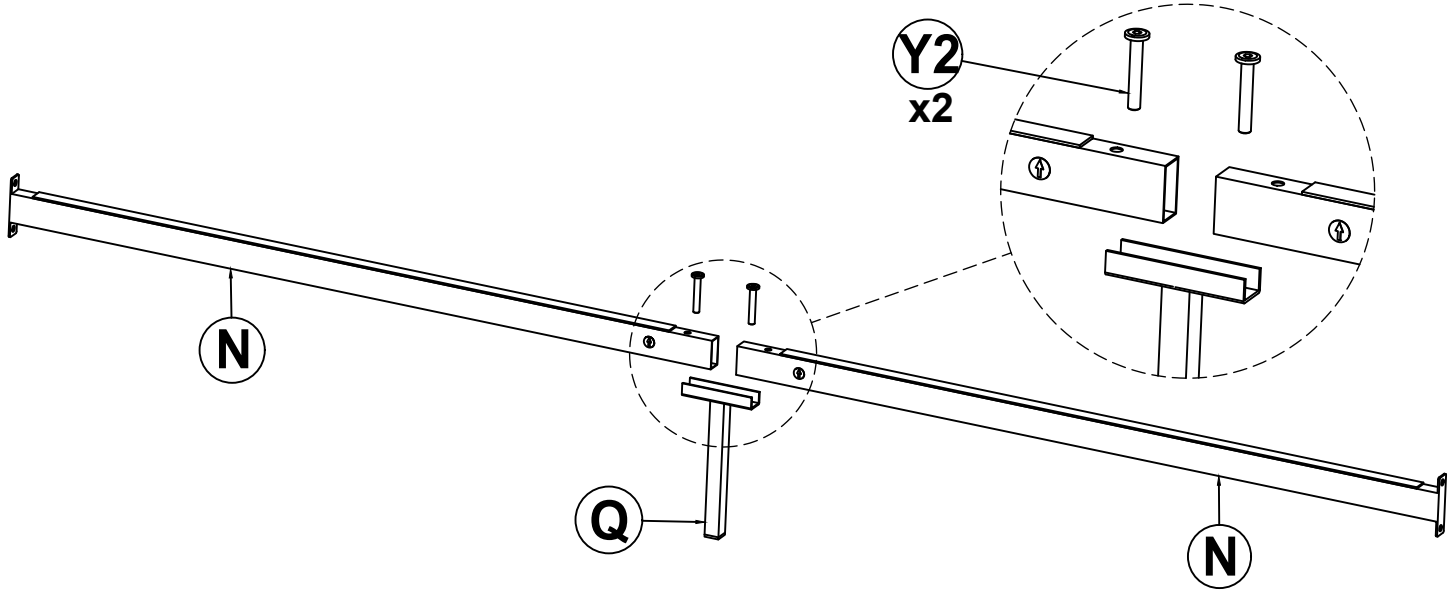
Q1
22pcs

1.1

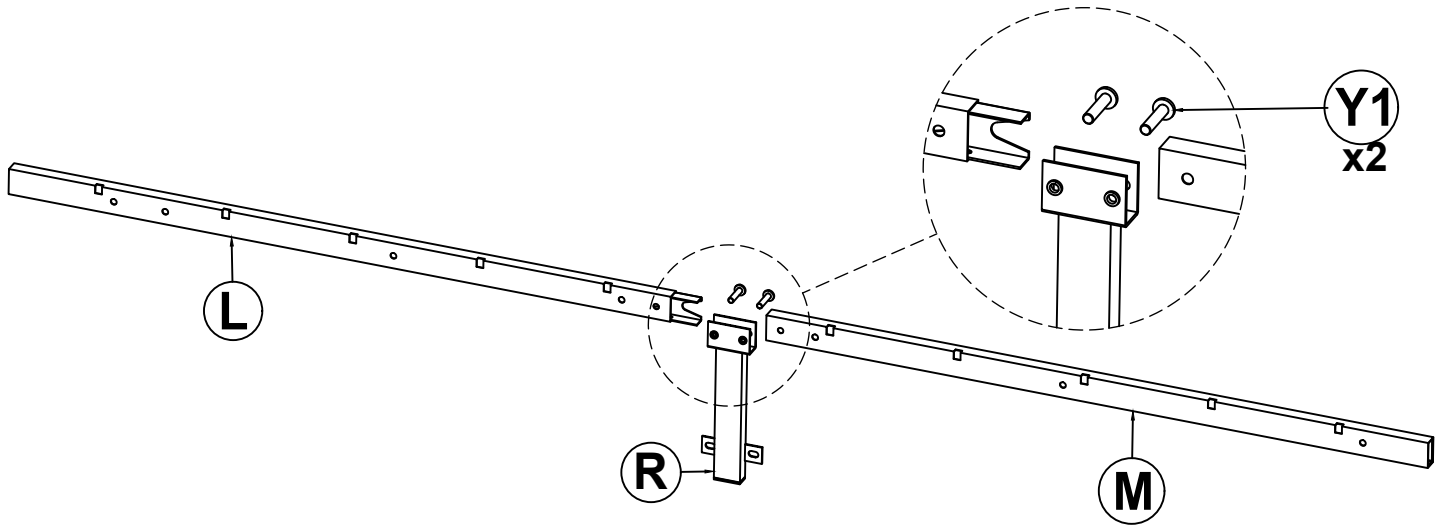
Step 1



1.2

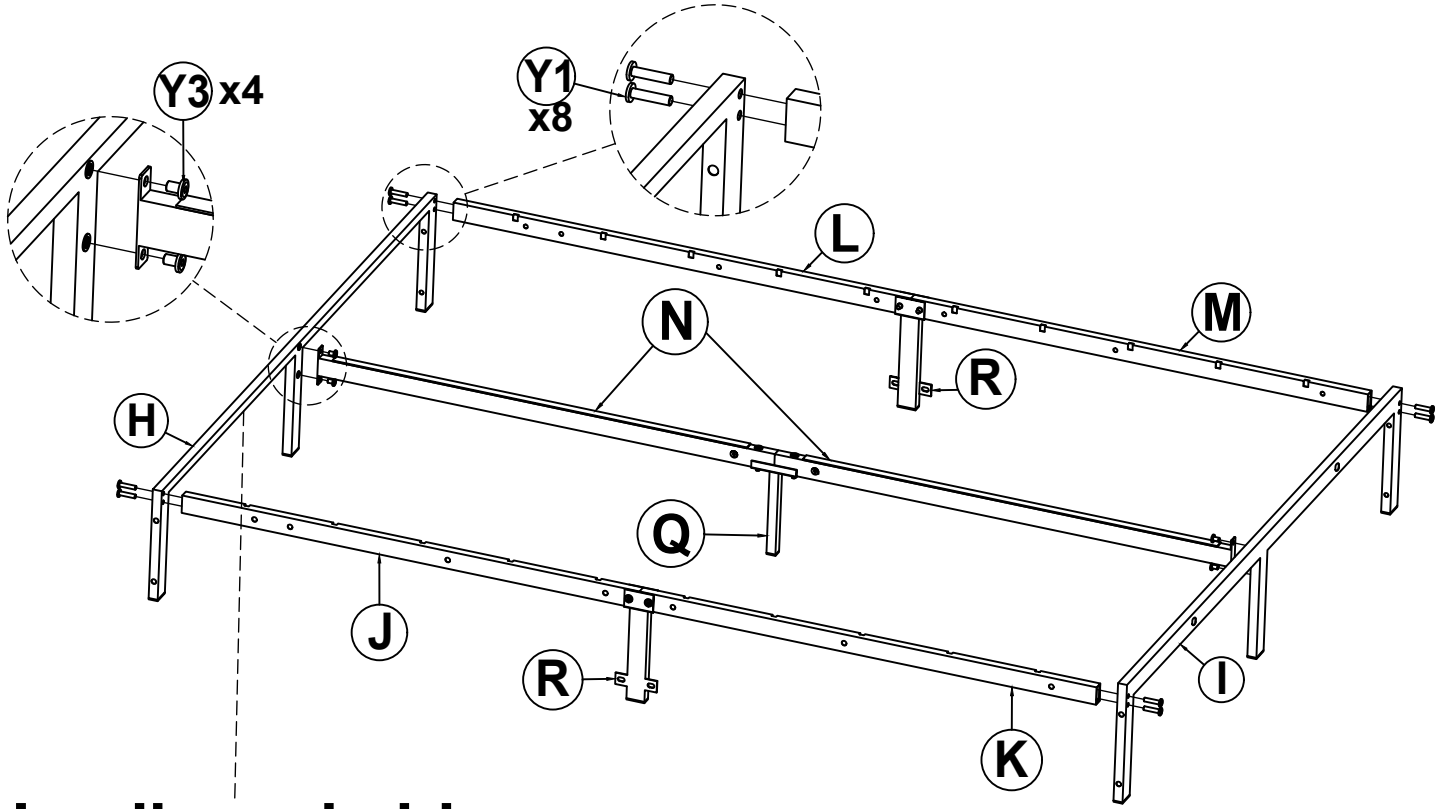


1.3



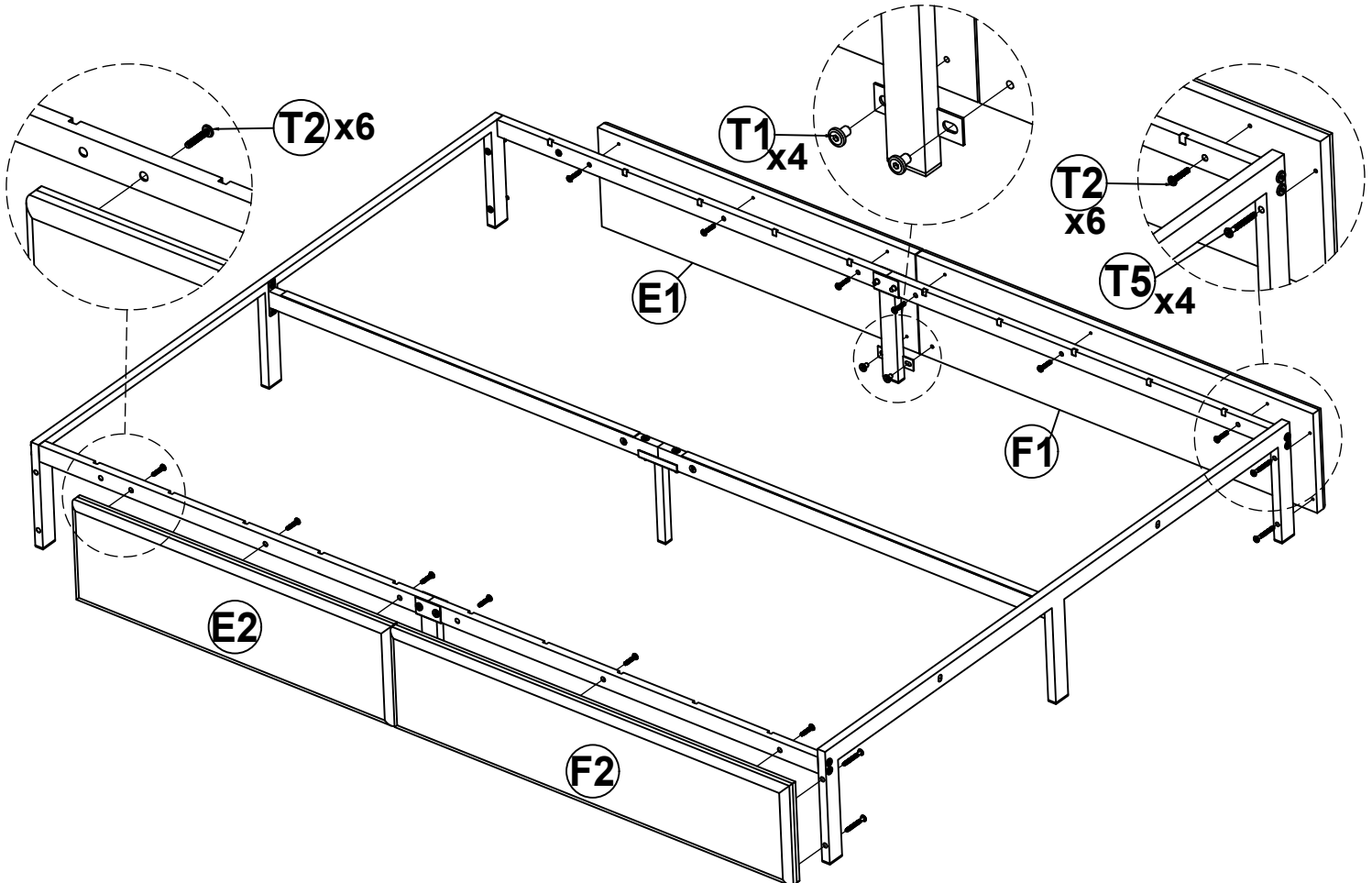
2.1

Step 2



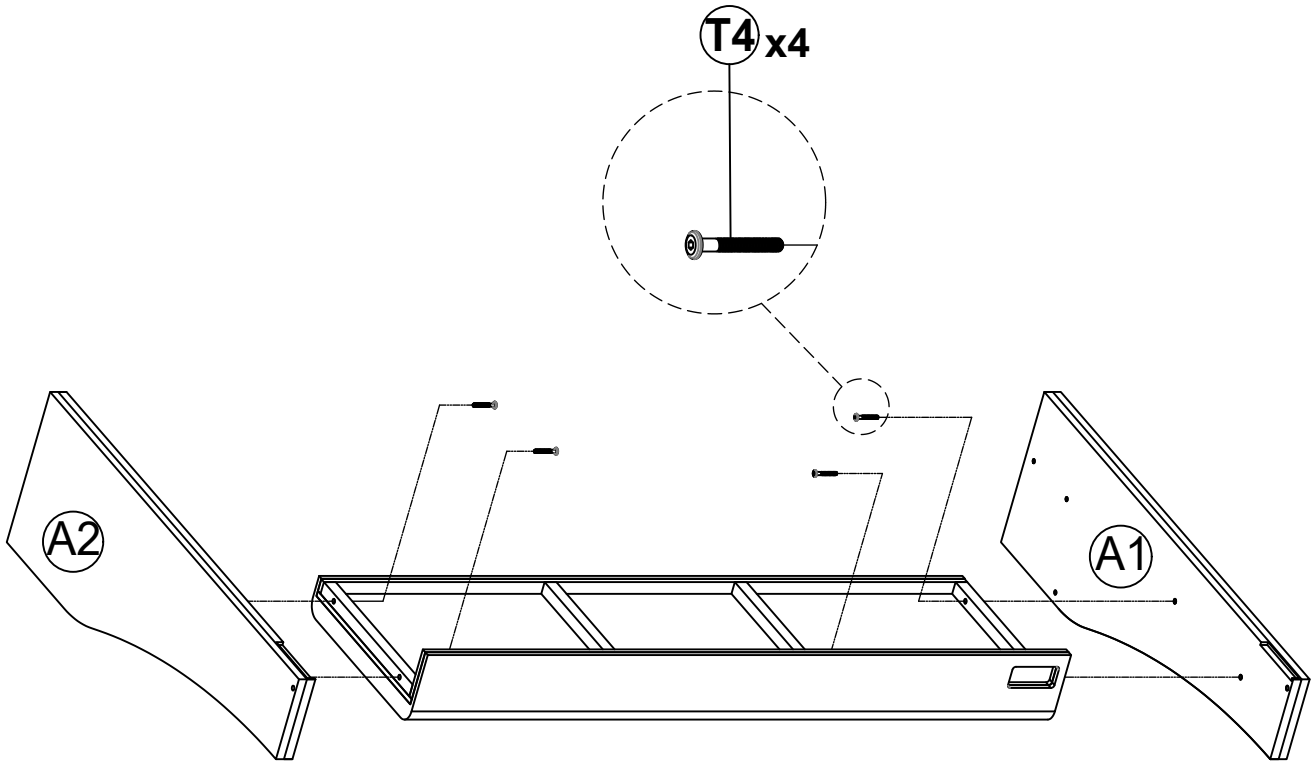
Headboard side

2.2

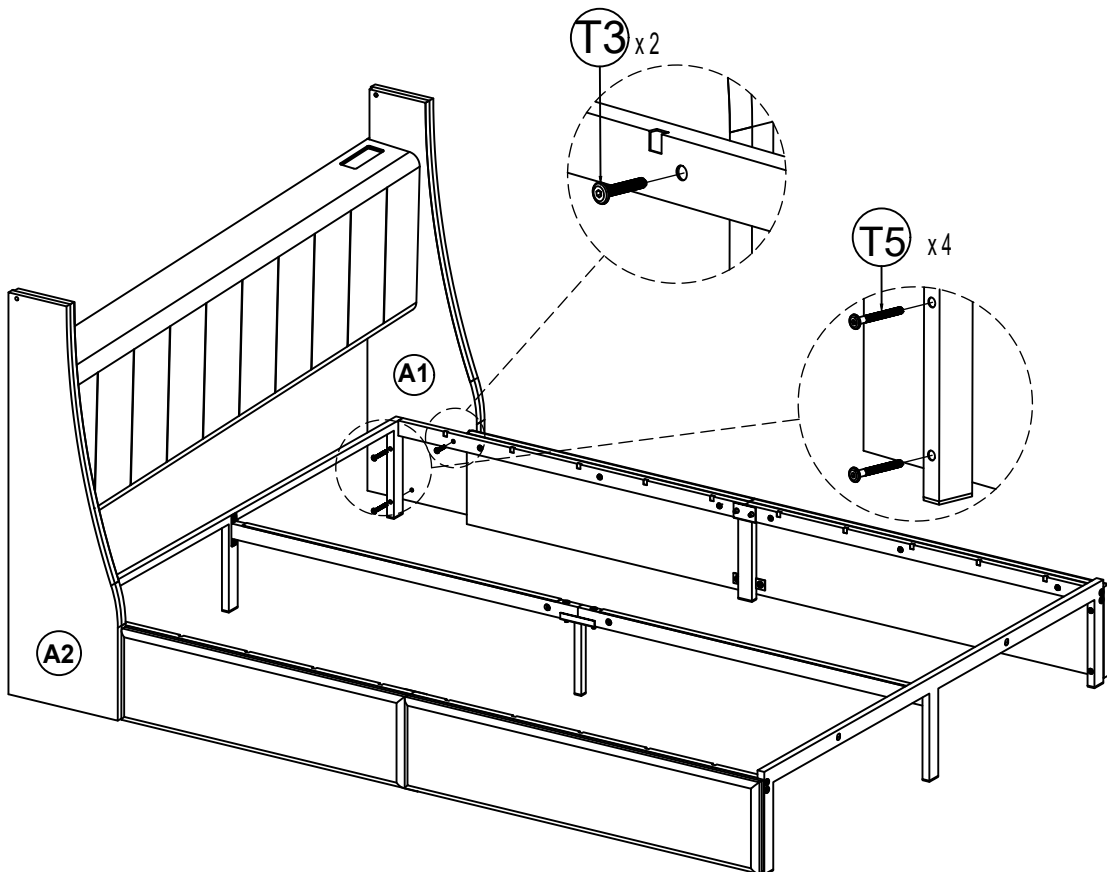


Step 3

3.1

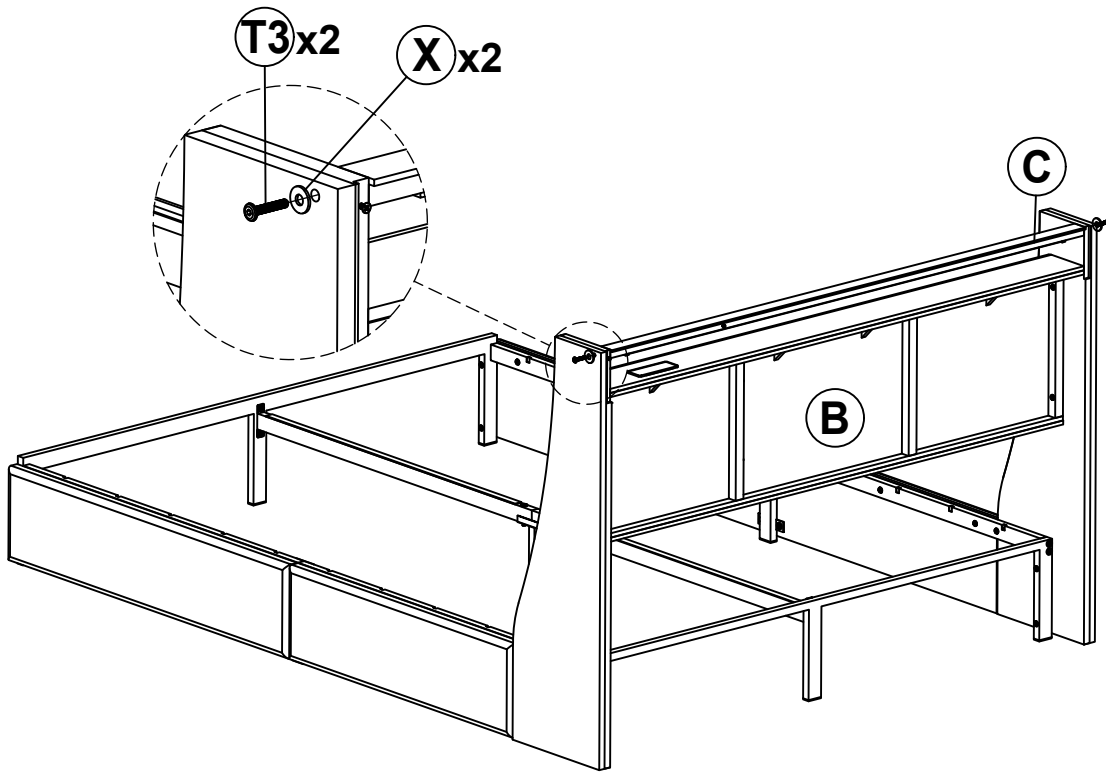


3.2

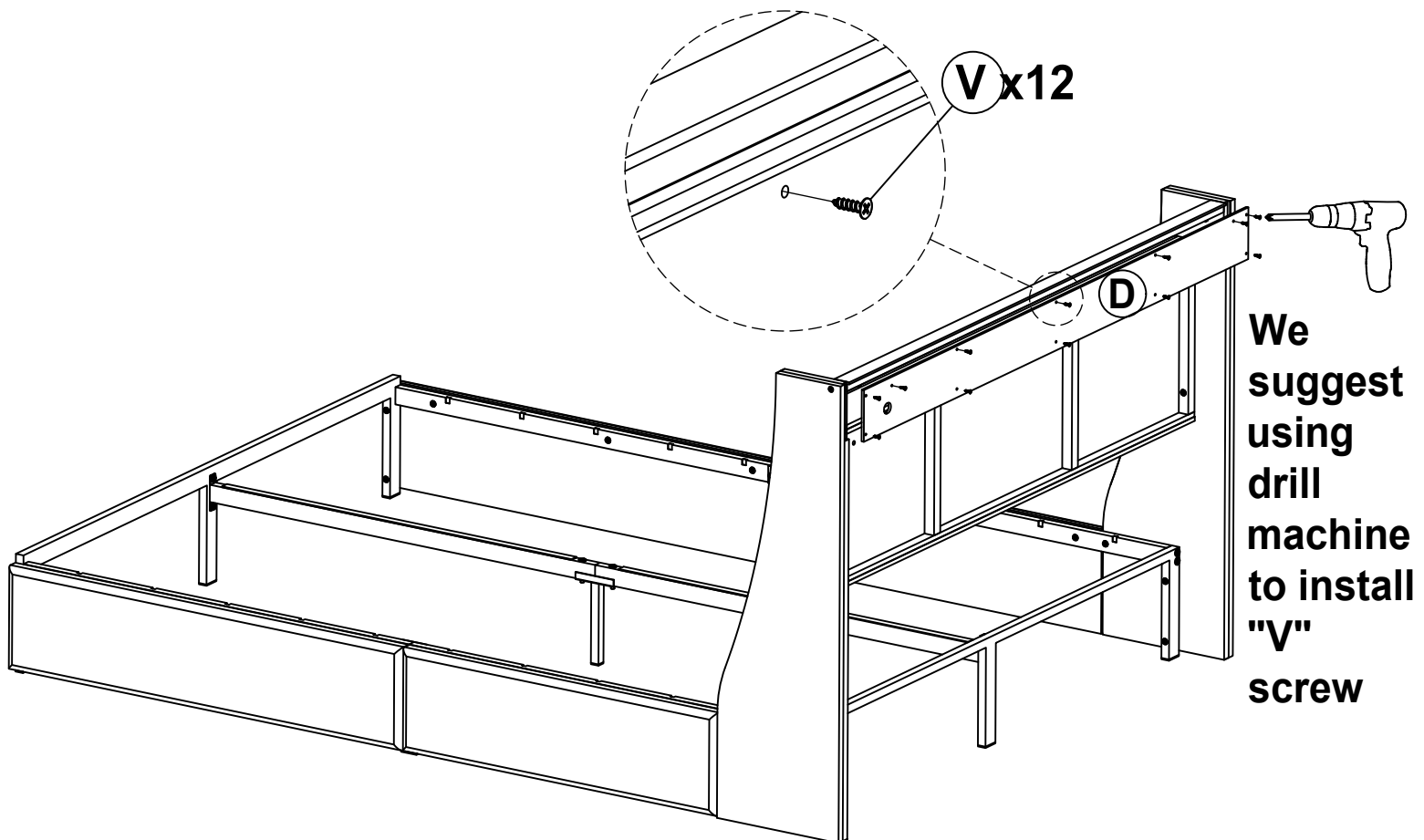


Step 4

4.1



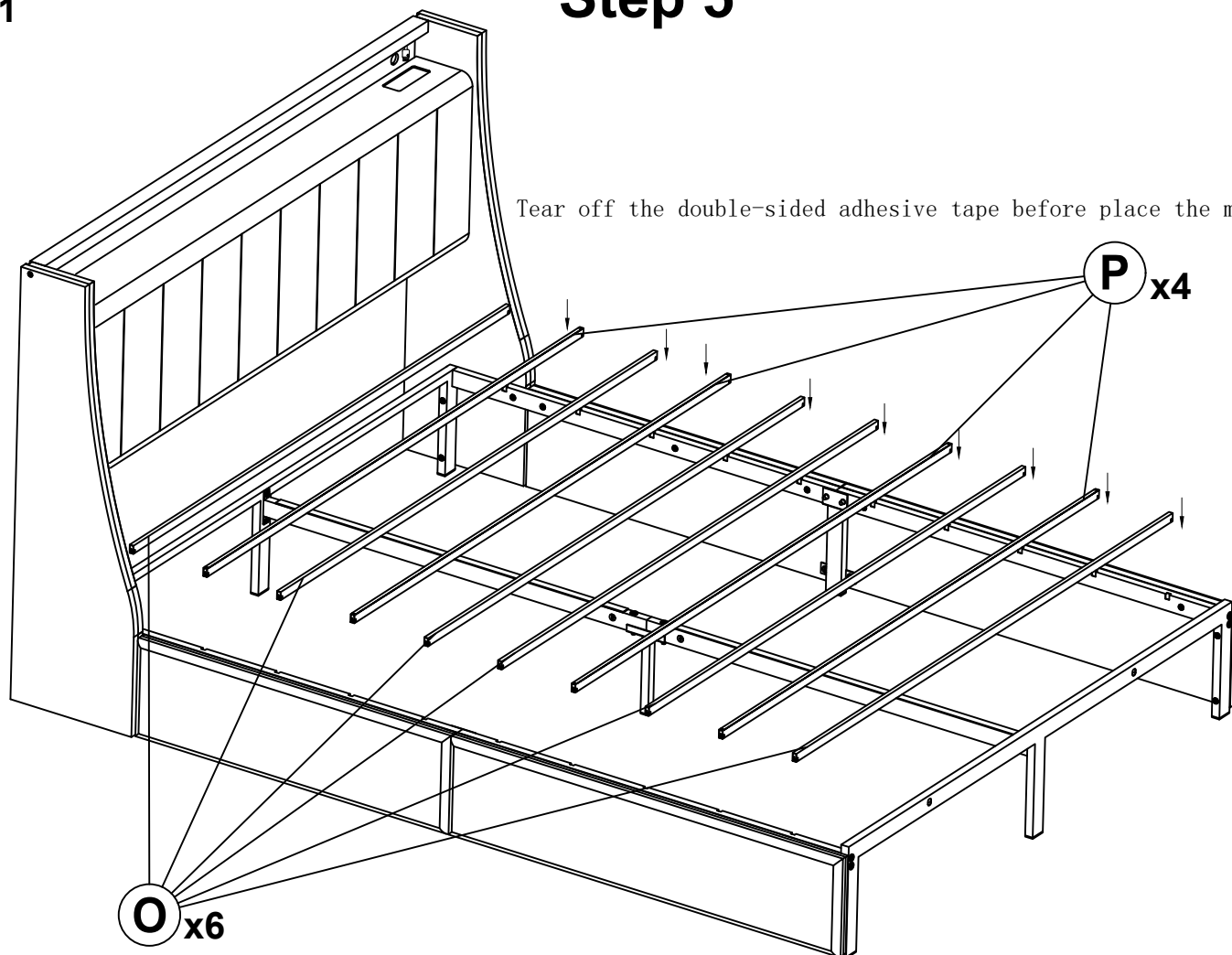
4.2



5.1

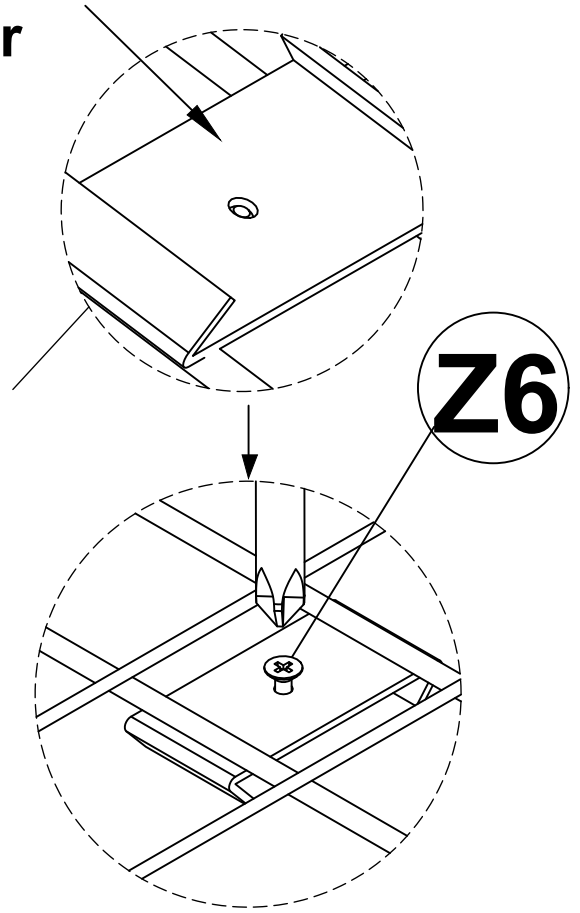
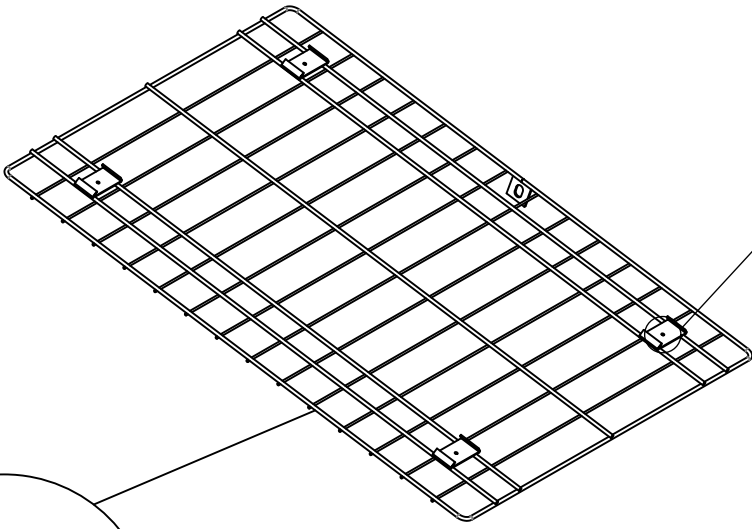
Step 5

Tear off the double-sided adhesive tape before place the mattress.

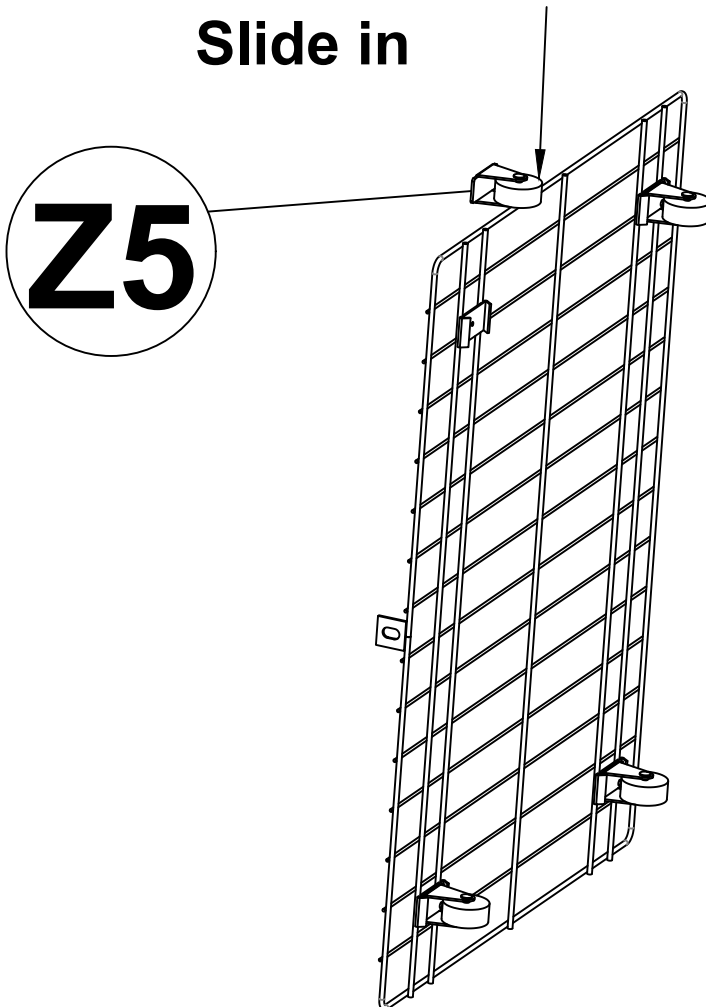


Step 6

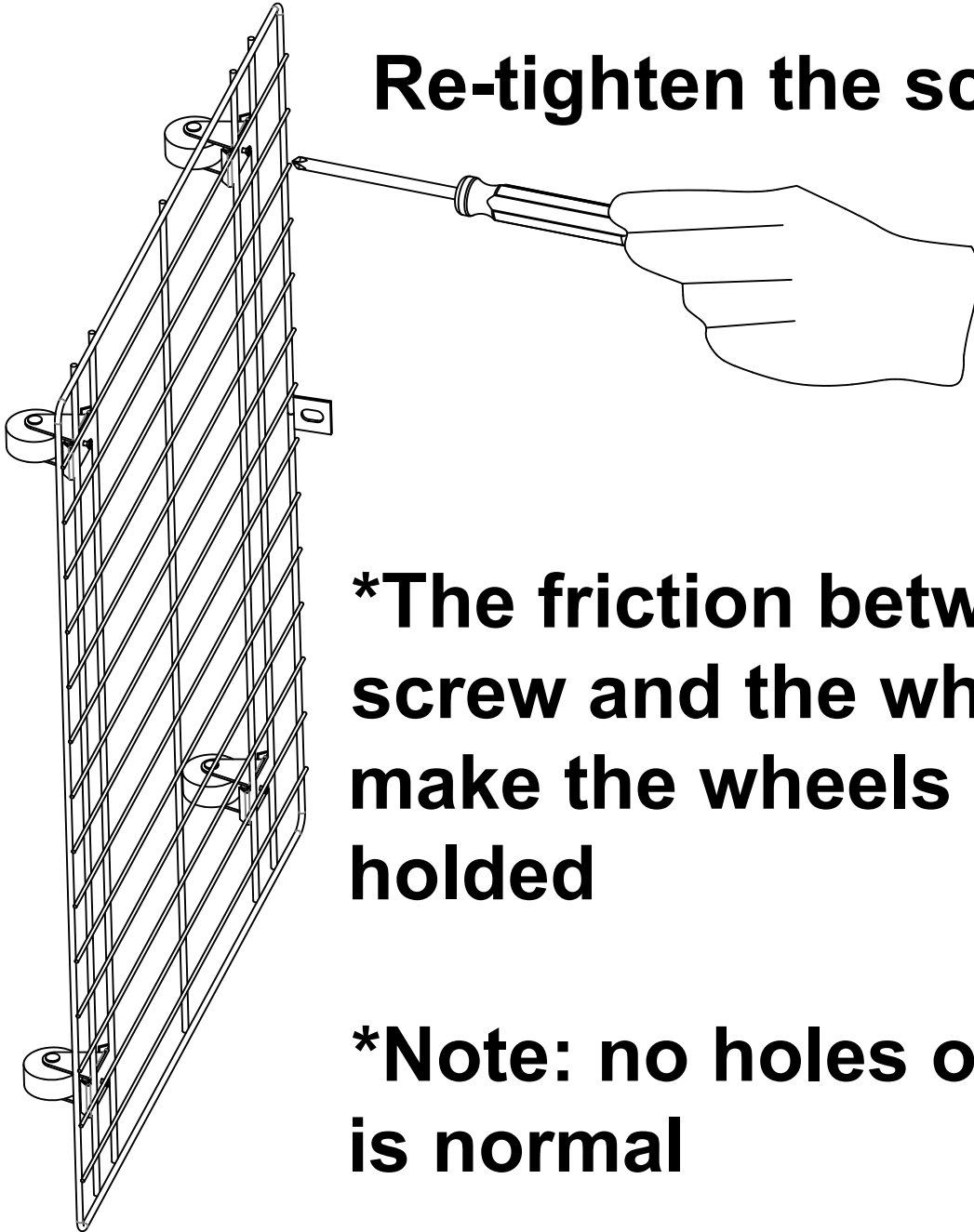
Put all the screw in but not tighten, don't let the screws get through all the wheel's holder



Slide in



Re-tighten the screws

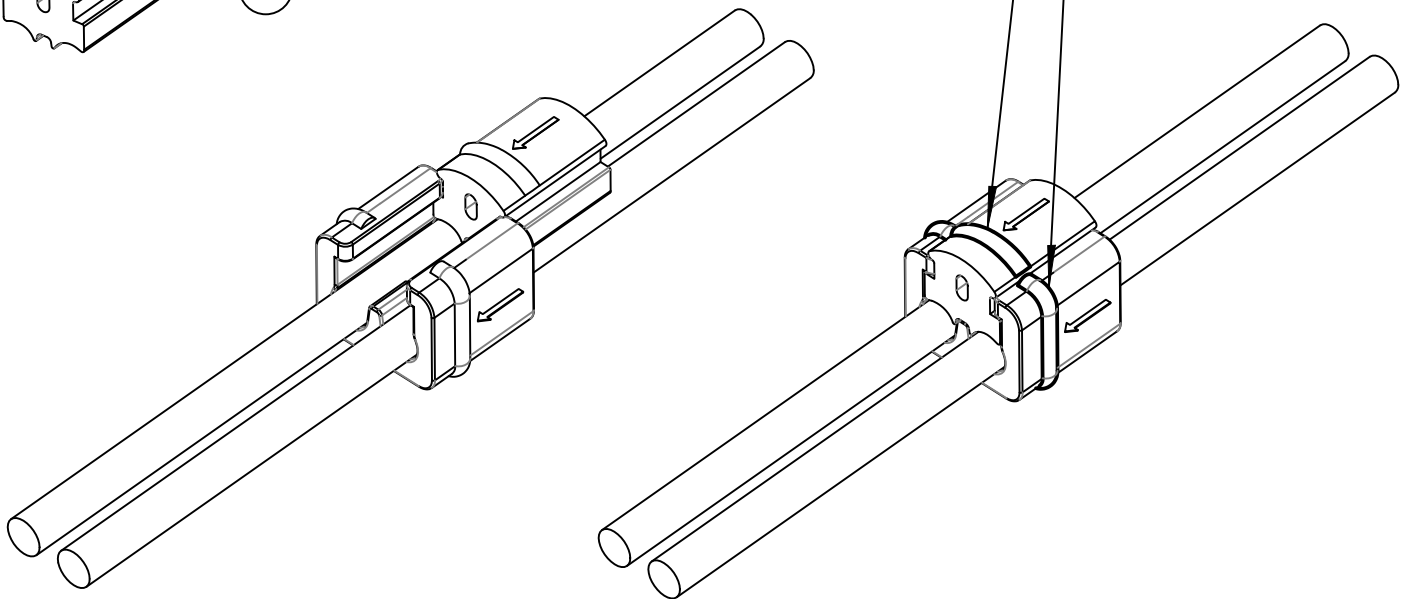
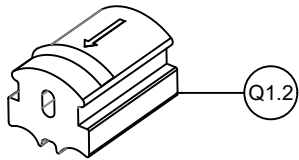
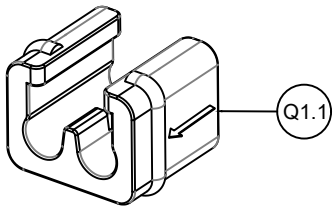


***The friction between the screw and the wheels will make the wheels can be holded**

***Note: no holes on the wheels is normal**

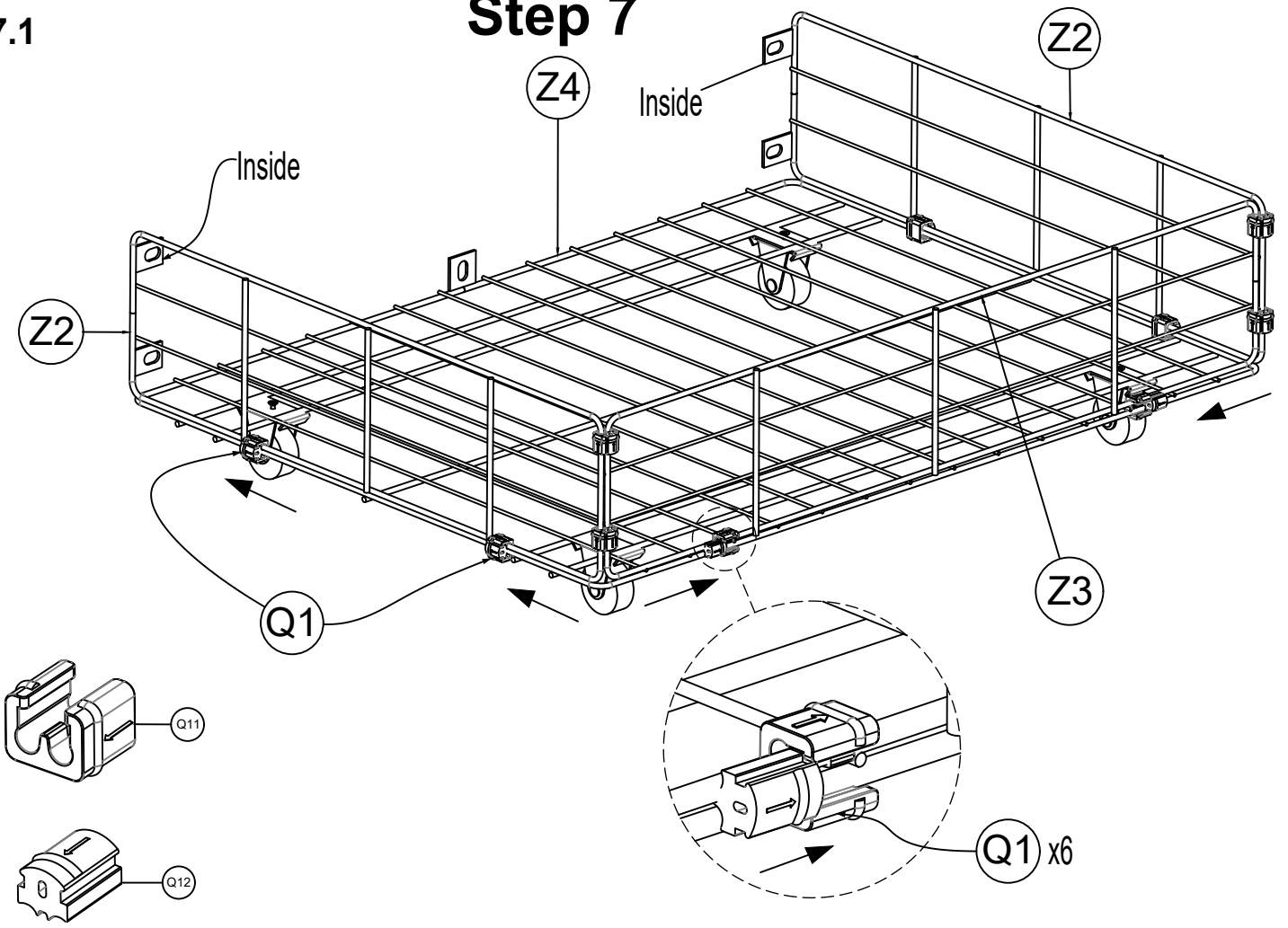
Detailed assembly instructions Q1

these two
lines on Q1.1
and Q1.2 need
to be matched

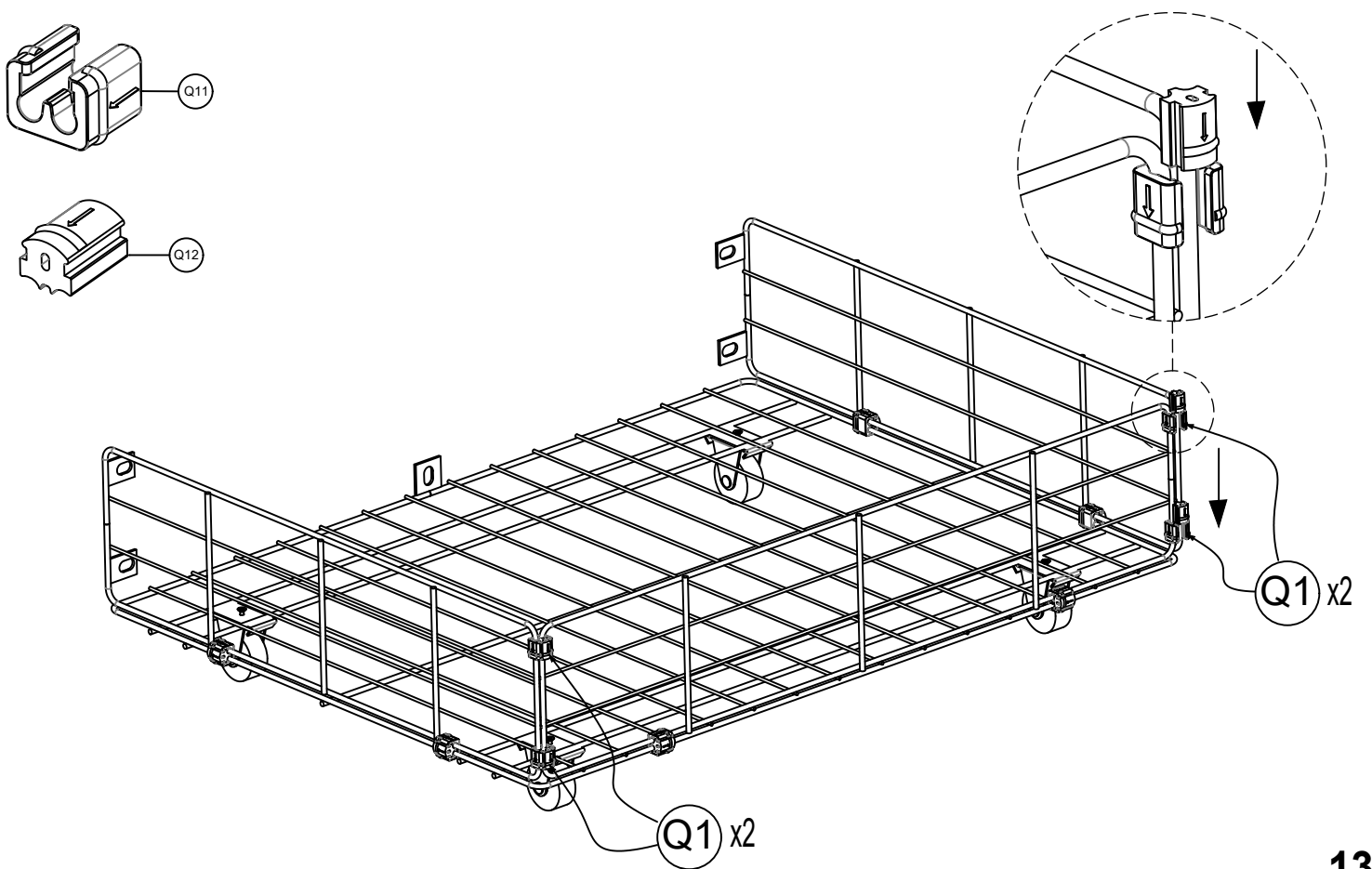


7.1

Step 7

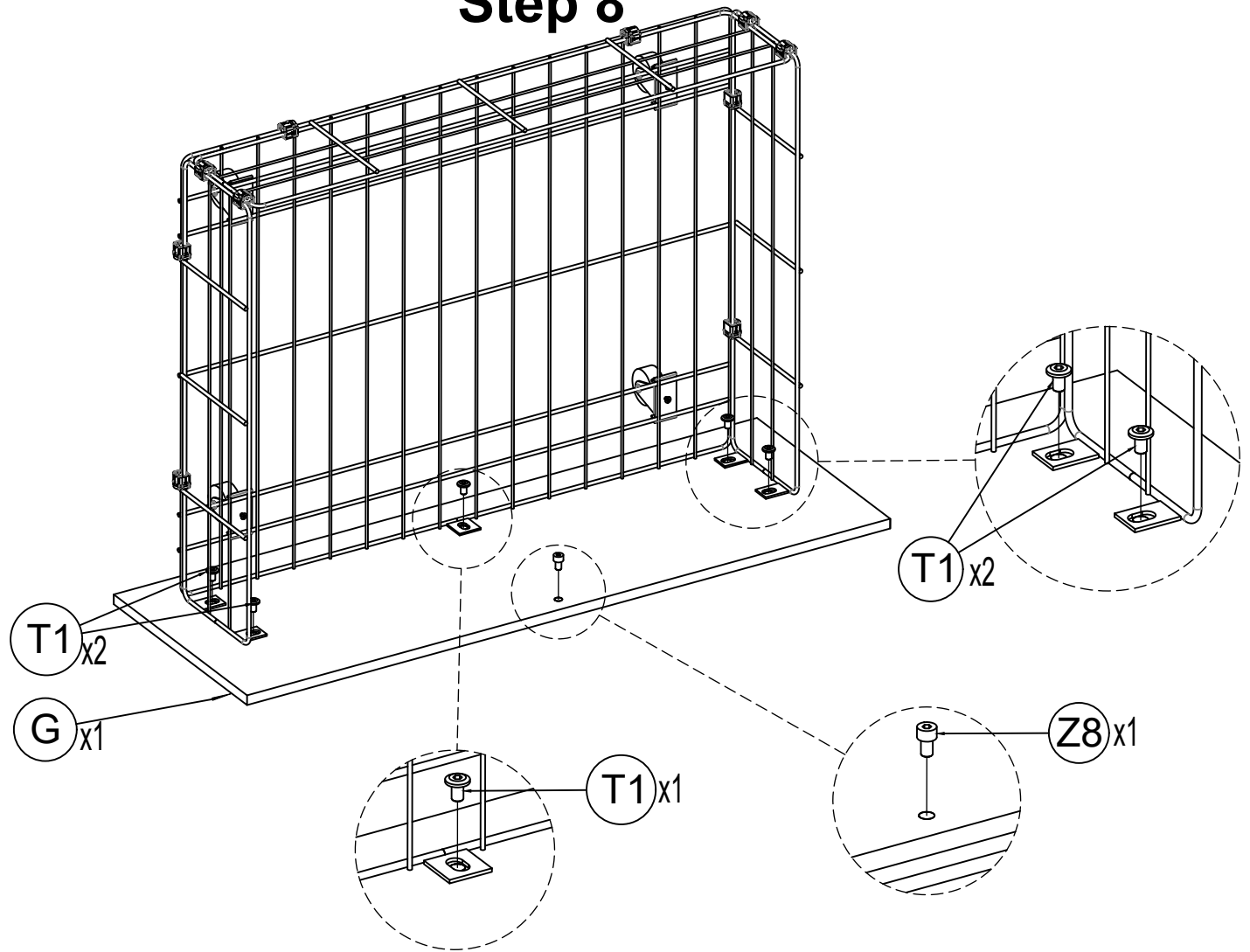


7.2

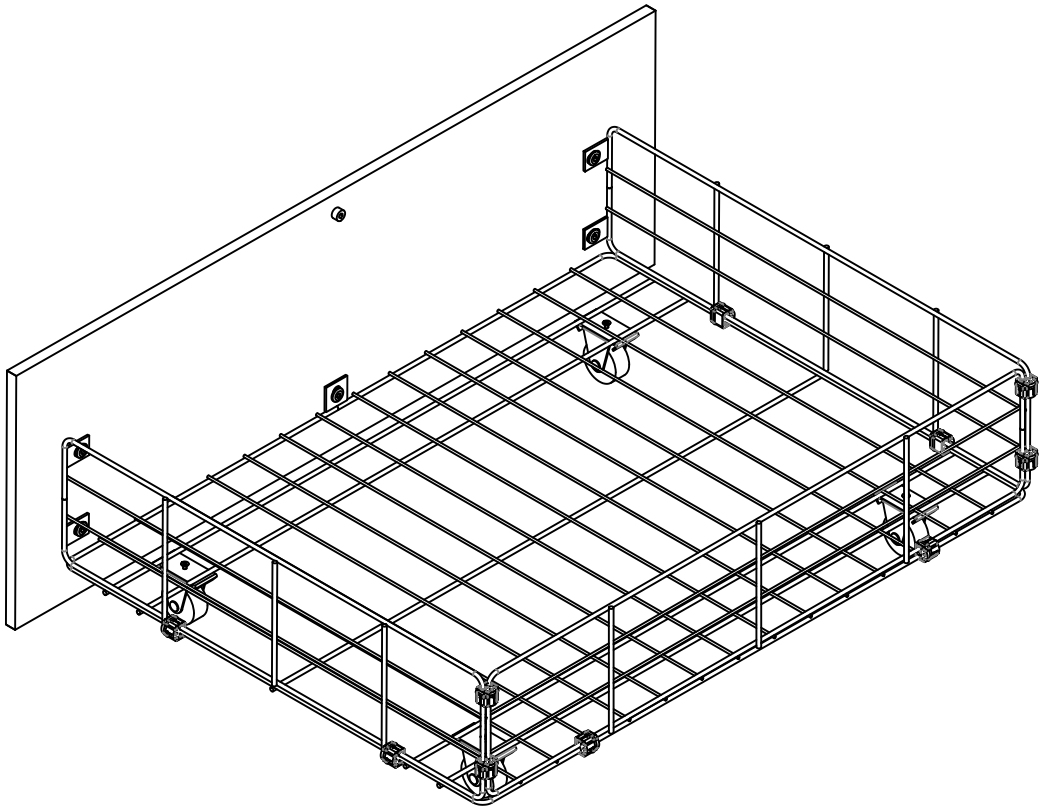


8.1

Step 8

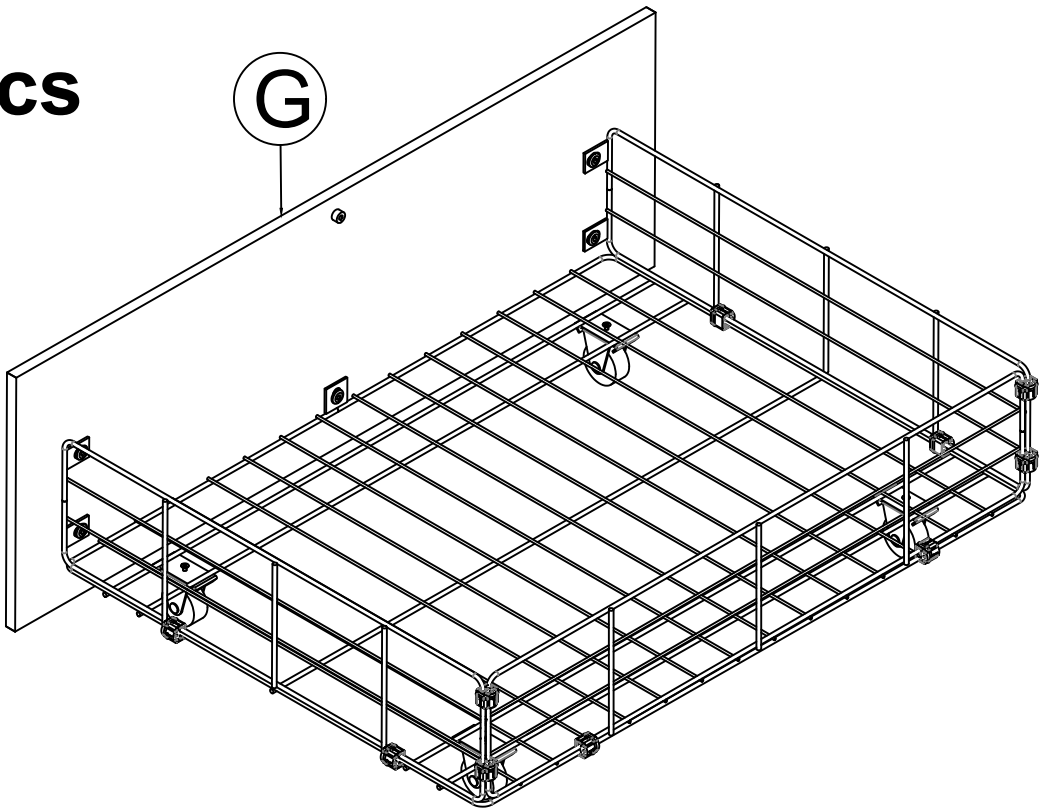


8.2

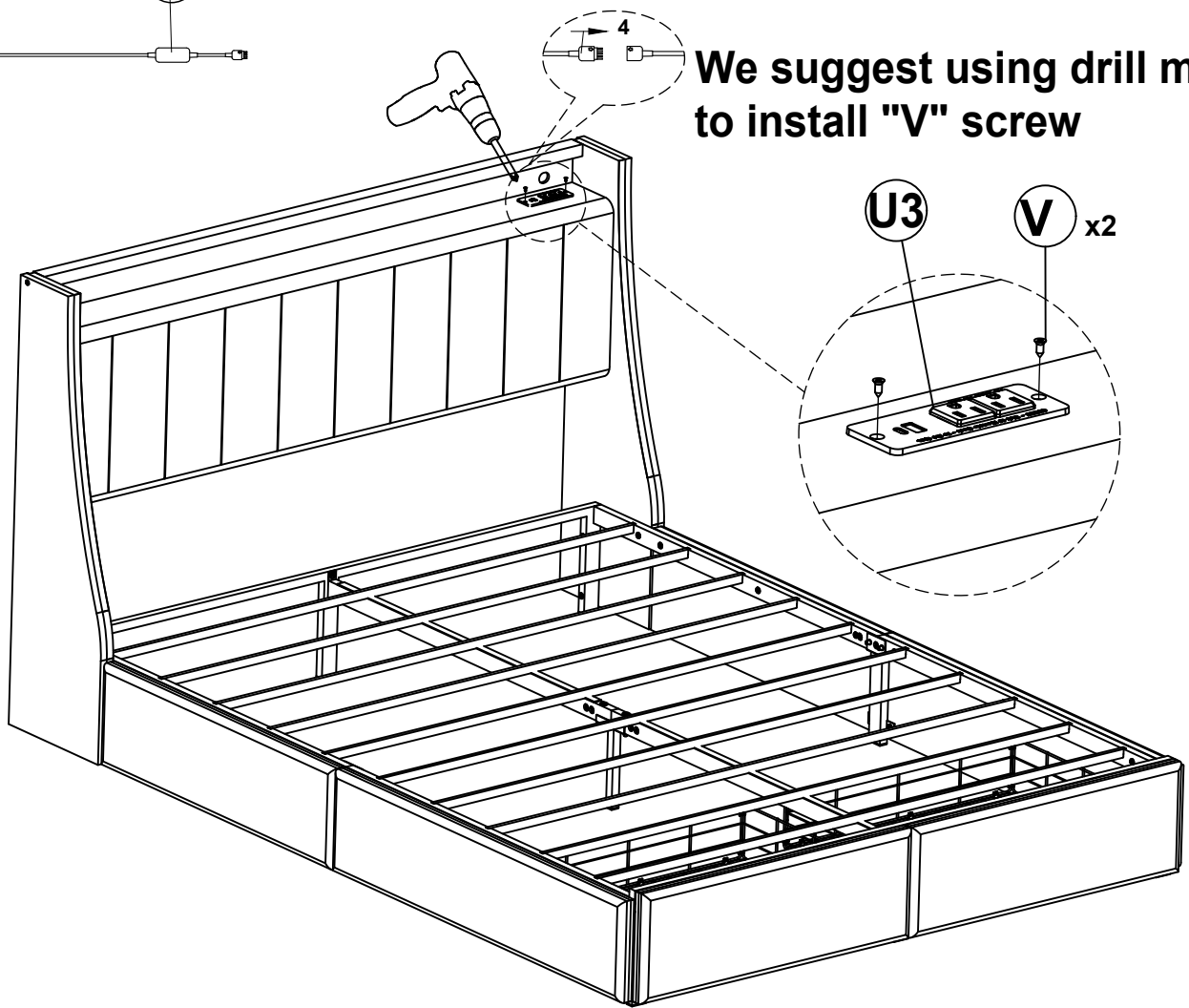


Step 9

2pcs



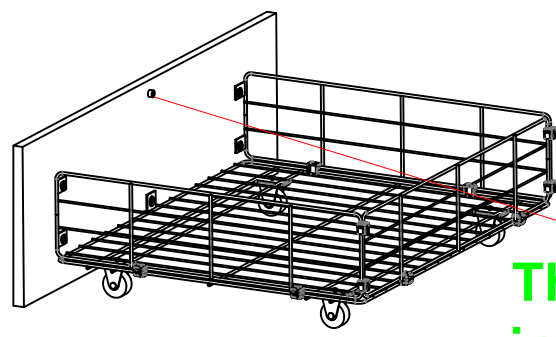
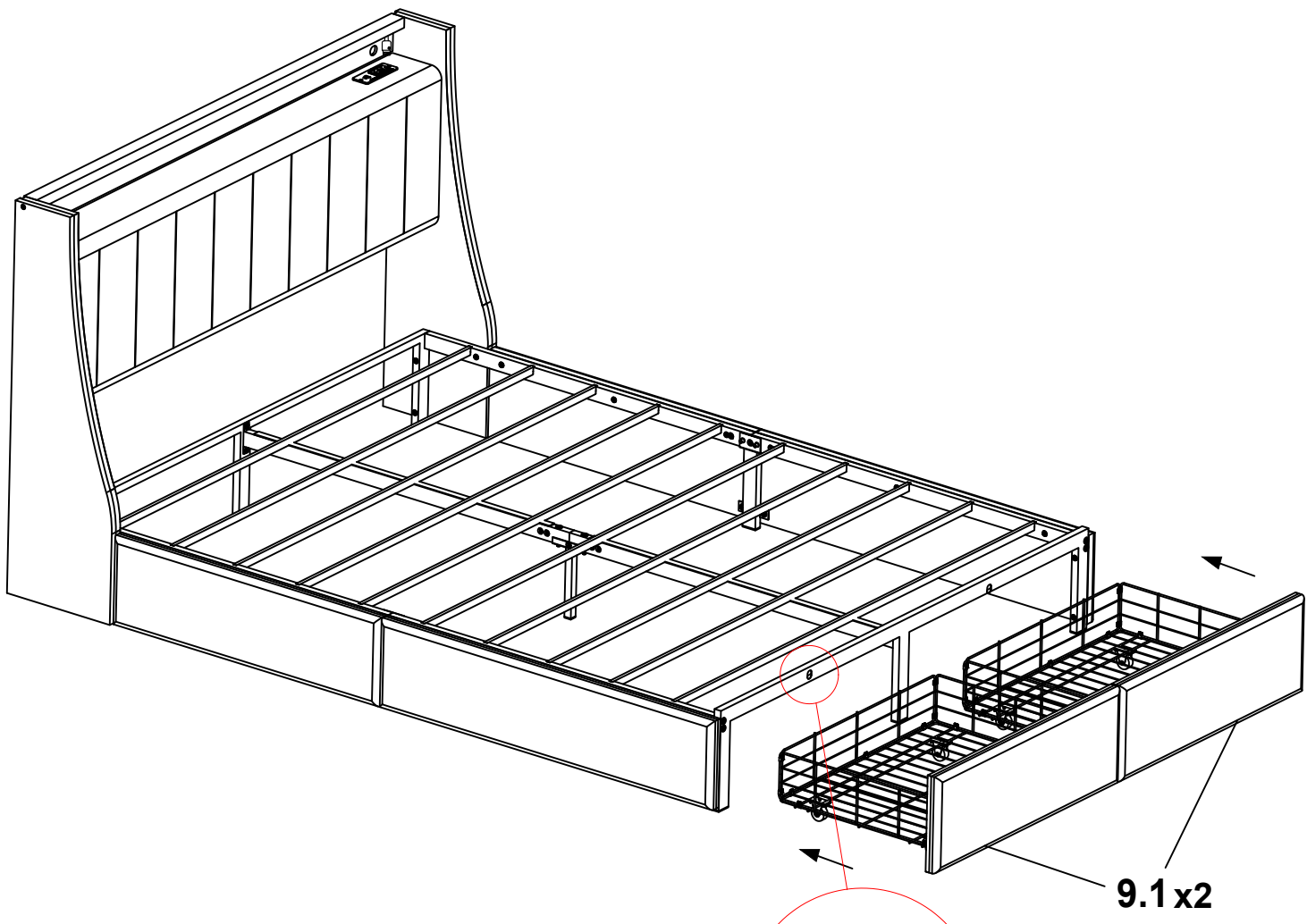
U1 X1



We suggest using drill machine to install "V" screw

U3

V x2



The screw head is inserted into this hole to help fix the drawer

REMOTE CONTROL

