

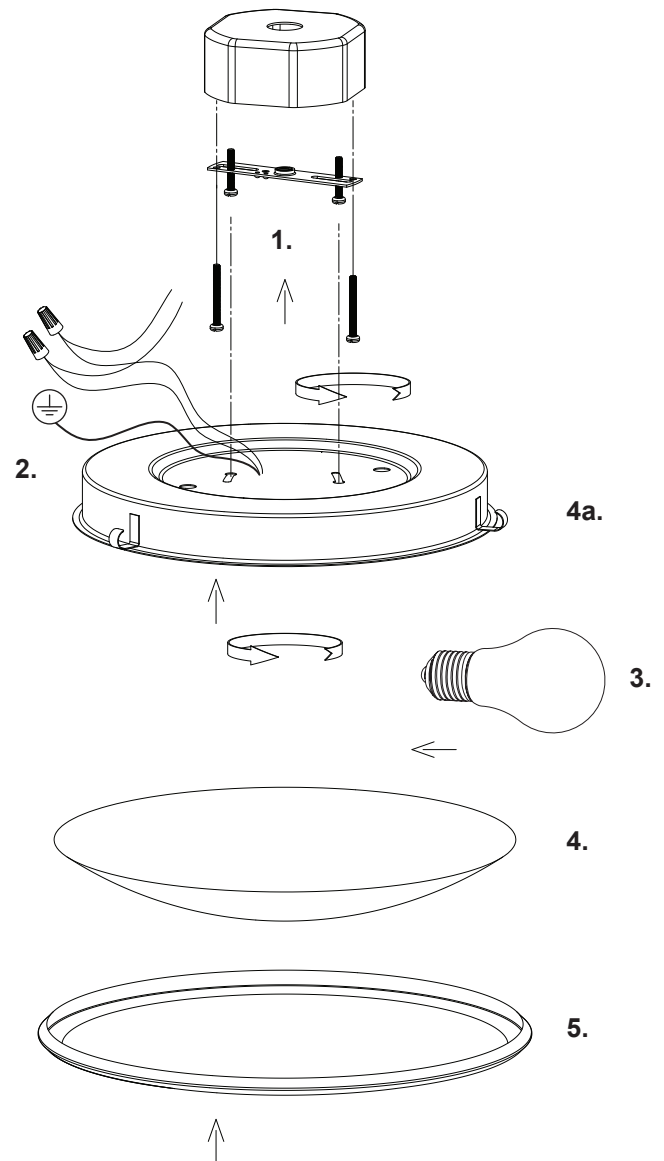
### Two lamp flush mount ceiling fixture

- 1.** Remove the fixture from its original packaging and remove the fixture mounting plate from within the hardware package. Attach the fixture mounting plate to the electrical junction box on the ceiling using the two screws provided in the hardware package.
- 2.** Now attach the fixture to the mounting plate, which is attached to the electrical junction box on the ceiling. First attach all wiring with the provided marrets (white to white "N", black to black "L", ground to ground "G"). Push the screws through the holes in the back of the fixture so they are poking through into the center of the fixture. Once this is complete you can tighten the screws (in a clockwise direction) until the fixture is secured to the ceiling.
- 3.** You can now install the A-19 light bulbs of the correct wattage.
- 4.** Now install the glass cover onto the fixture. **(4a)** The glass cover is installed by hooking the three wire hooks on the side of the fixture to the edge of the glass cover until the glass cover is firmly secured to the fixture.
- 5.** Install the metal ring to the fixture. Gently place the fixture, and the glass, in the center of the metal ring until the metal ring reaches the edge of the glass and fixture. Apply minimal pressure to the ring until you hear a click and feel the ring attach to the side of the canopy. (Please be careful to not apply too much pressure as excessive pressure will cause the fixture glass to crack or break.)
- 6.** You have now completed the installation of your fixture, please enjoy.

#### START FROM HERE

- Make sure power is completely off at the fuse box.
- Have your fixture installed by a qualified licensed electrician
- Prepare everything in clear area.
- Wear gloves at all times during this installation.
- Read instructions carefully before you start assembly.
- Keep this instruction sheet for future reference.

**Technical Support:** 1-855-855-8926



# KUZCO

19054 28th Avenue Surrey, BC Canada V3Z 6M3  
 T: 604 538 7162 TF: 1-855 85 KUZCO F: 604 538 7196  
 W: kuzcolighting.com  
 20181127