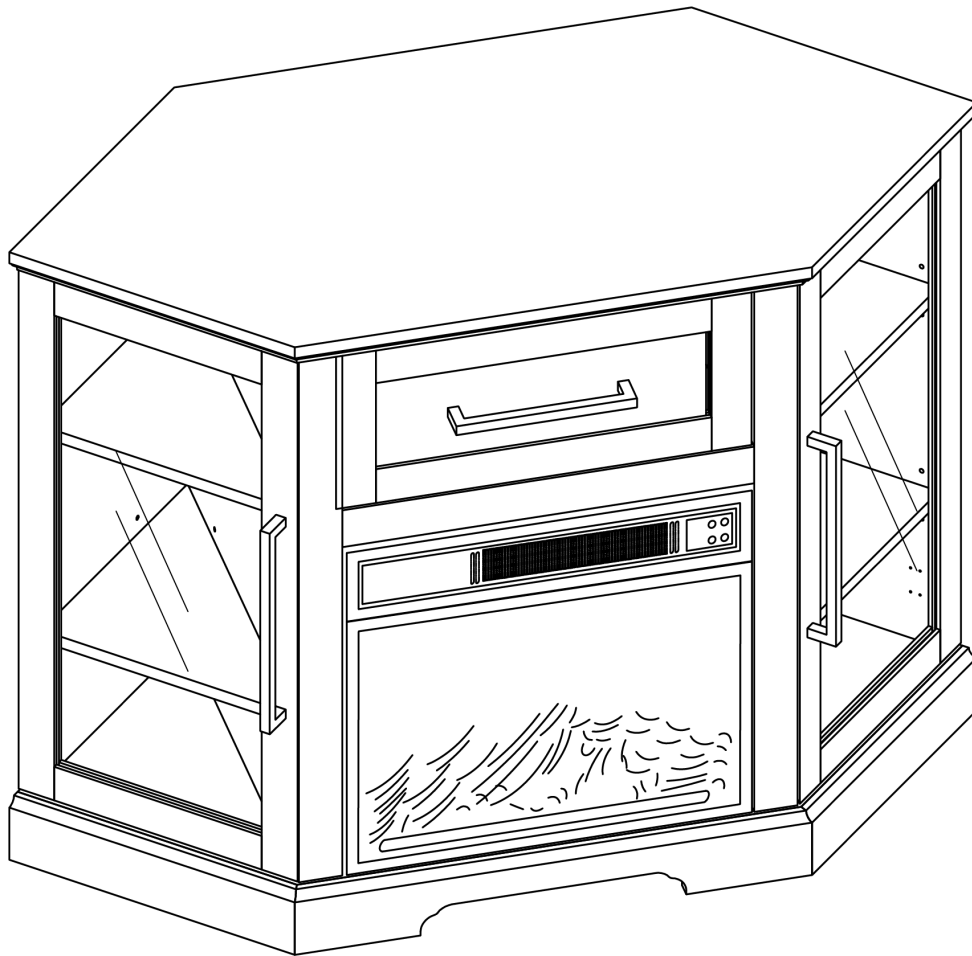


TV Stand with Fireplace



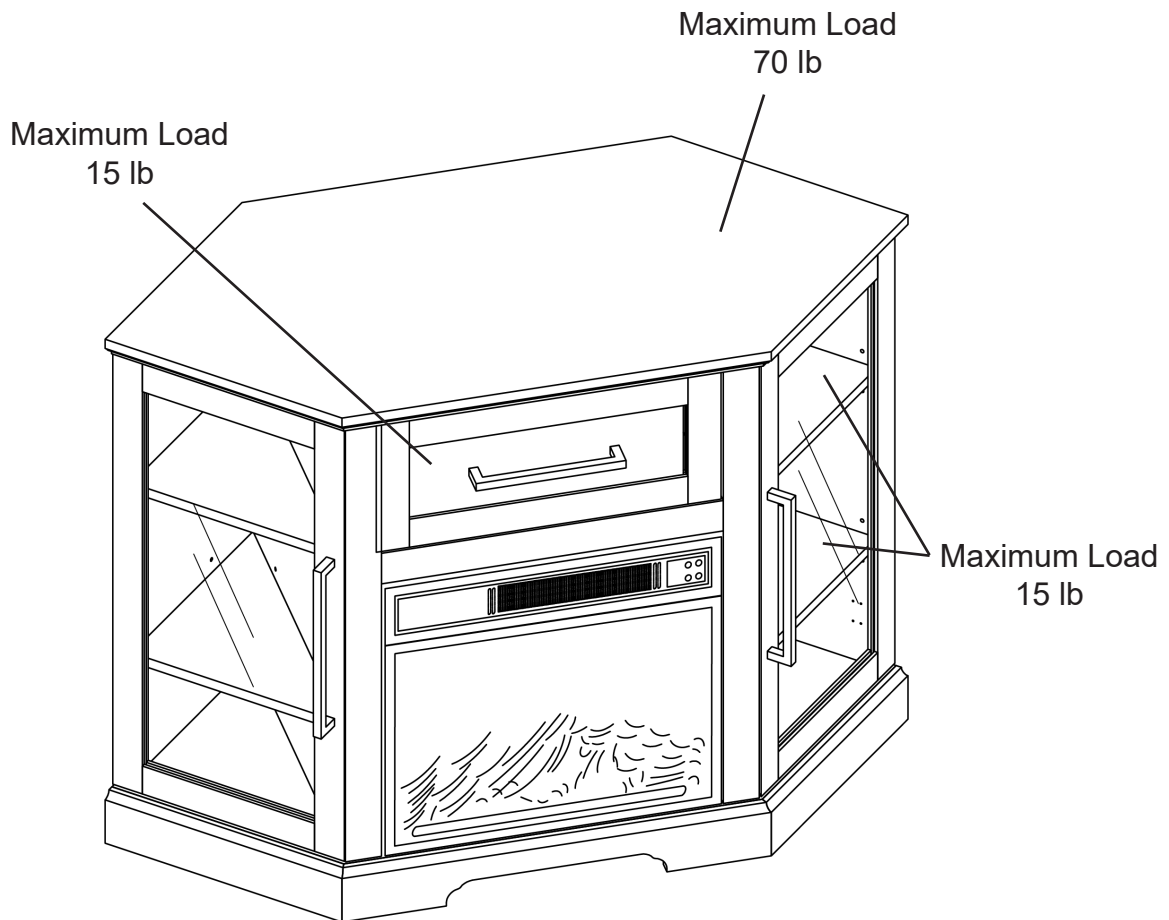


Estimated time for assembly:

60 mins



Weight limitations are as follows:





Assemble the furniture on an empty carton, carpet, or rug to prevent scratches or damage.

For safety, please keep pets and children away from the assembly area.

Ensure the product is fully assembled before use. If you are missing any hardware or products, do not use it until you have restored the missing parts.



This furniture requires 2 people for assembly.

Read this instruction manual prior to assembly to familiarize yourself with the various steps.

Lay out all components and hardware separately on a flat surface and make sure that no parts are missing or damaged before assembly. Do not destroy or discard any packaging until you are certain that you have all the necessary parts for assembly.

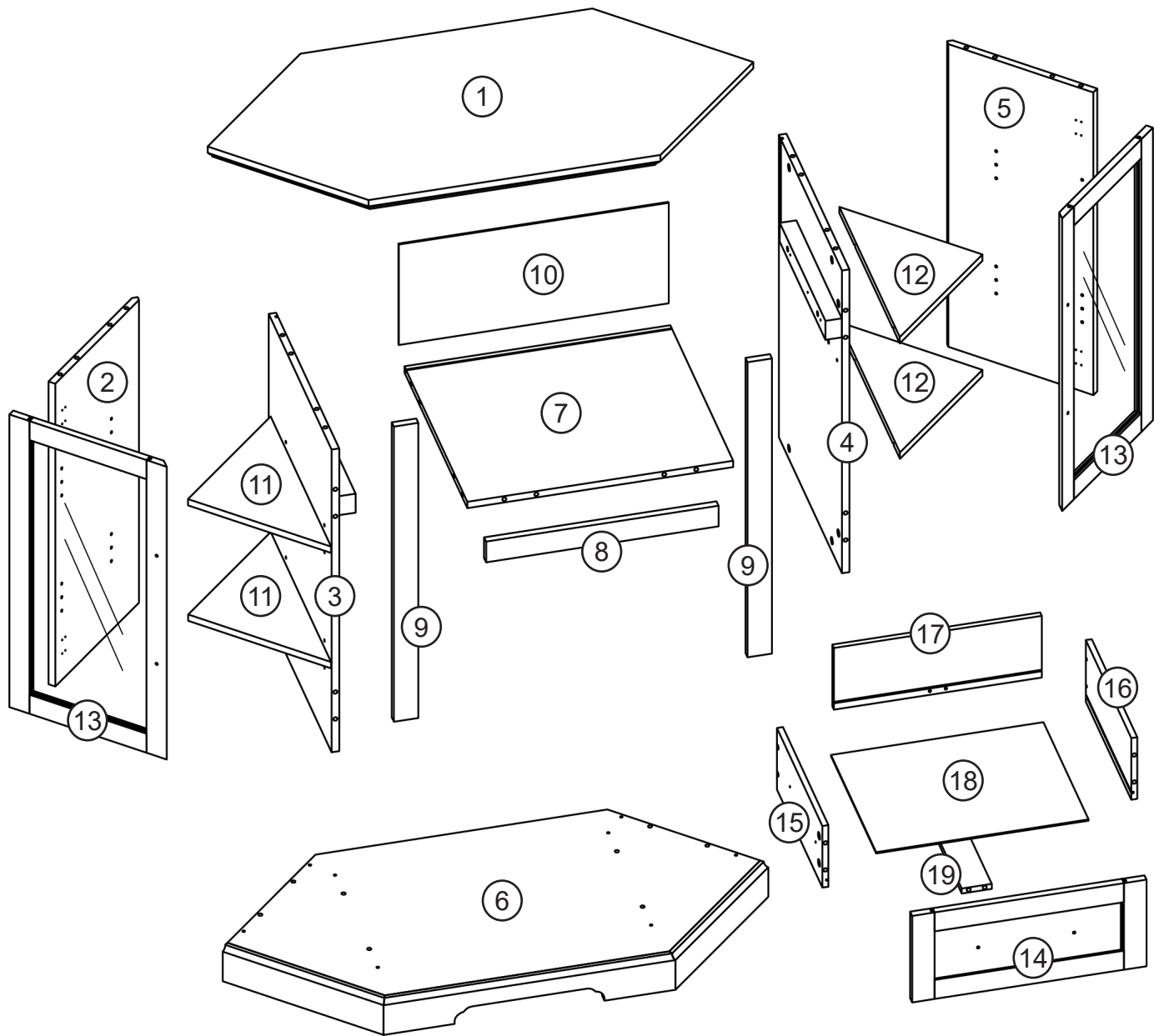
Hand tight all hardware and careful not to over tighten to avoid damaging the product.

CAUTION

There are small components used in the construction of this product. Loose items should be kept away from pets and children to avoid a choking hazard.

Keep all plastic bags and packaging film away from pets and children to avoid suffocation.

PACKAGE CONTENTS



PACKAGE CONTENTS

CODE	DESCRIPTION	QTY
1	Top Panel	1
2	Left Panel	1
3	Left Median Panel	1
4	Right Median Panel	1
5	Right Panel	1
6	Base	1
7	Center Storage Shelf Panel	1
8	Fire Mantel Trim Top Panel	1
9	Fire Mantel Side Trim Panel	2
10	Back Panel	1
11	Left Storage Shelf Panel	2
12	Right Storage Shelf Panel	2
13	Cabinet Door	2
14	Drawer Front Panel	1
15	Drawer Left Panel	1
16	Drawer Right Panel	1
17	Drawer Back Panel	1
18	Drawer Bottom Panel	1
19	Drawer Support Bar	1

PACKAGE CONTENTS

(A)



31x + 3x

(B)



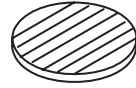
31x + 3x

(C)



27x + 2x

(D)



31x

(E)



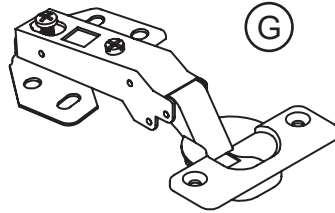
6x

(F)



24x + 2x

(G)



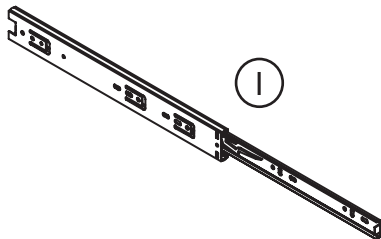
4x

(H)



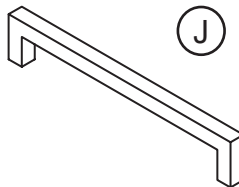
12x + 1x

(I)



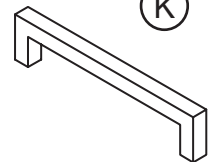
2x

(J)



2x

(K)

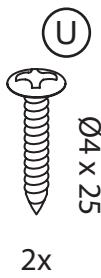
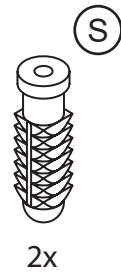
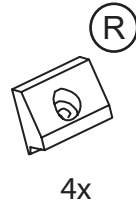
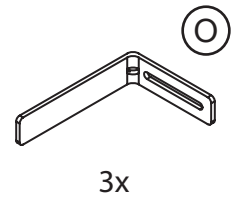
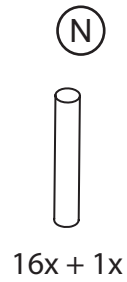


1x



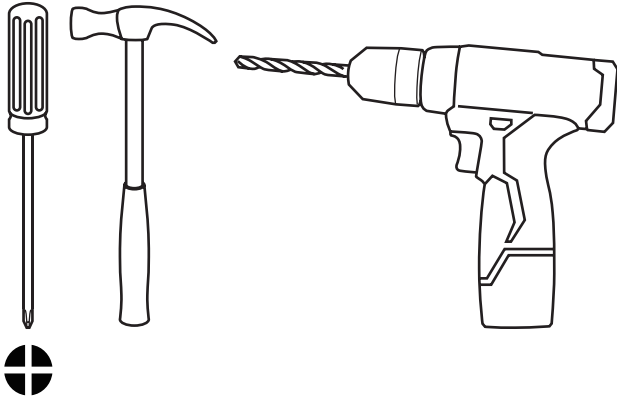
Install all hardware perpendicular to the opening.

PACKAGE CONTENTS

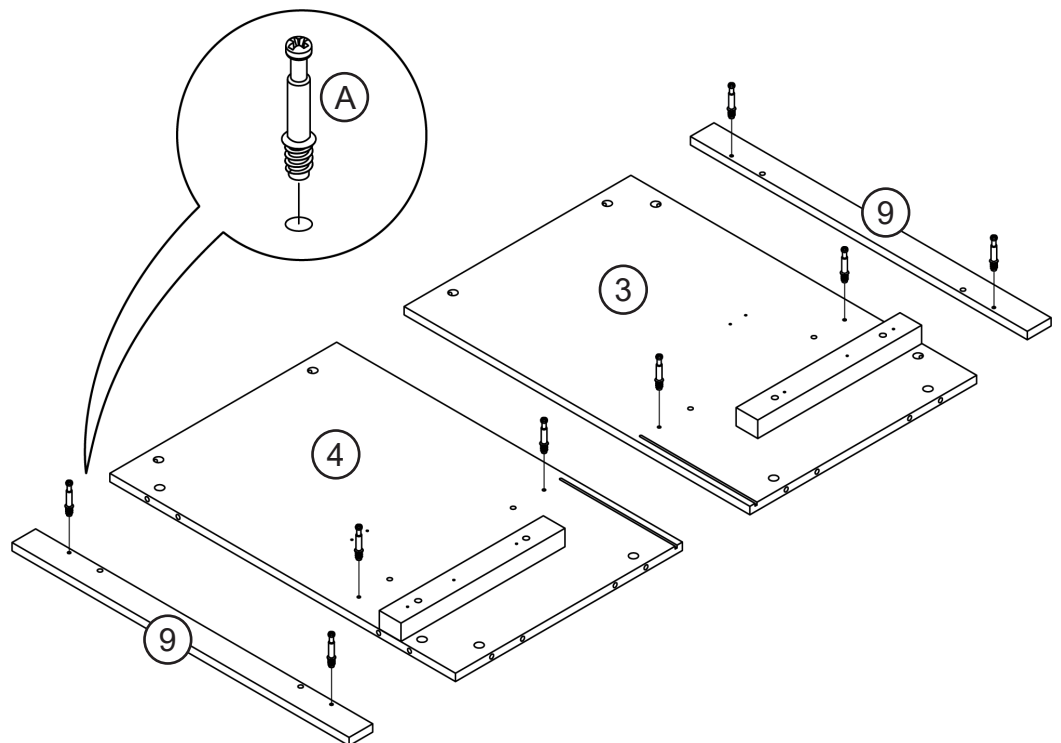
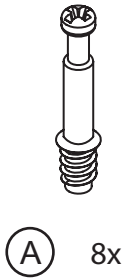


Install all hardware perpendicular to the opening.

Required tools for assembly (Not included)

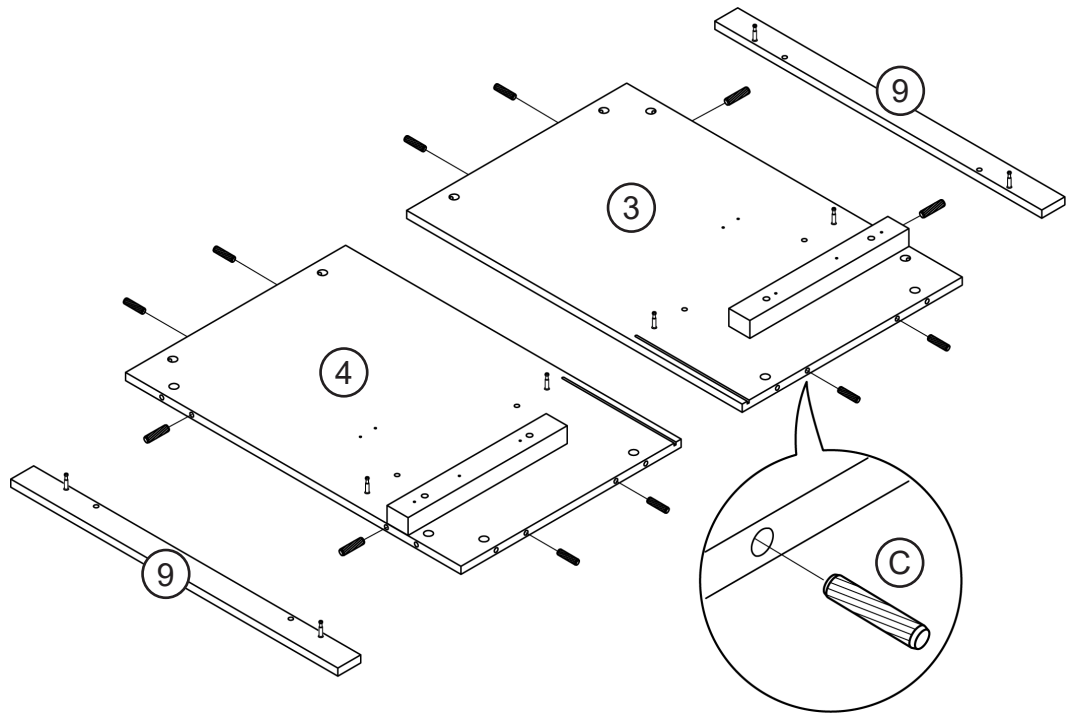
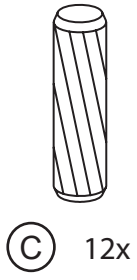


1 Attach cam bolts on the median panels and on the fire mantel side trim panels.



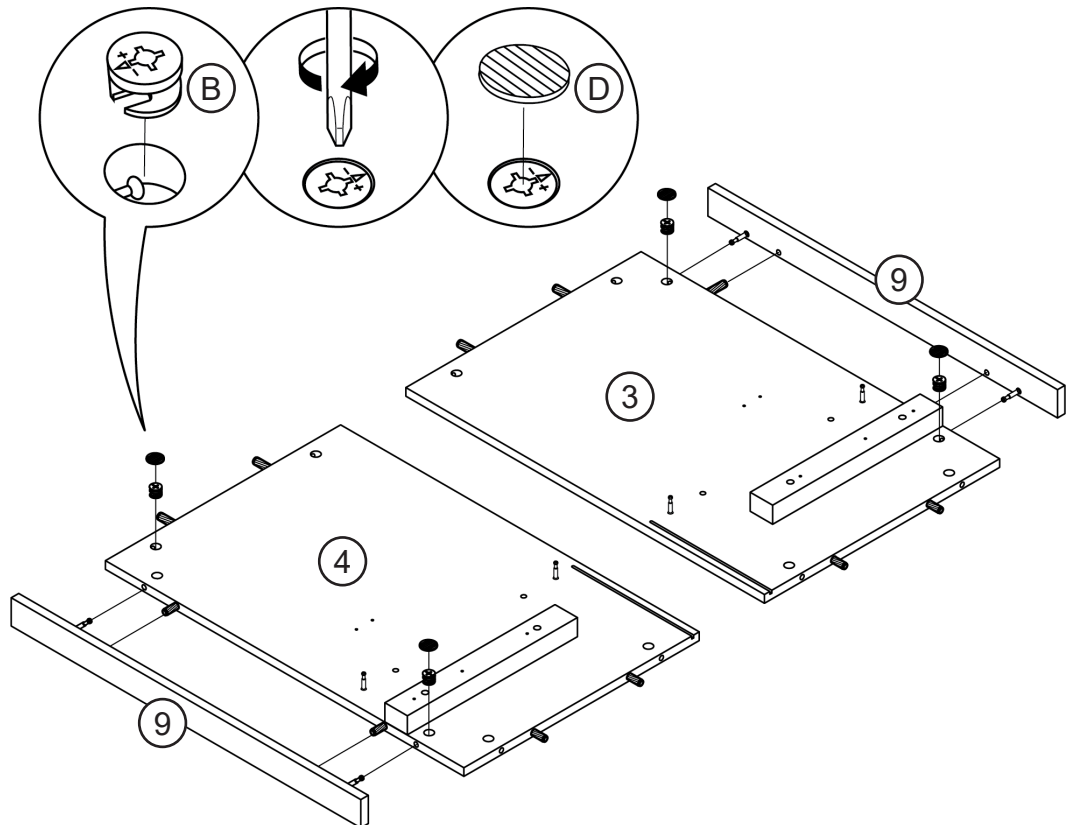
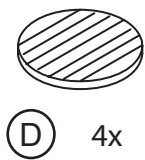
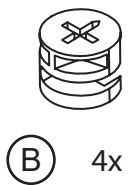
2

Insert wood dowels to the median panels.



3

Attach the fire mantel side trim panels to the median panels.

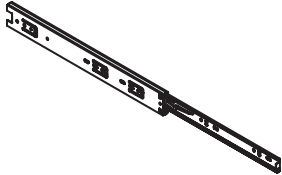


4

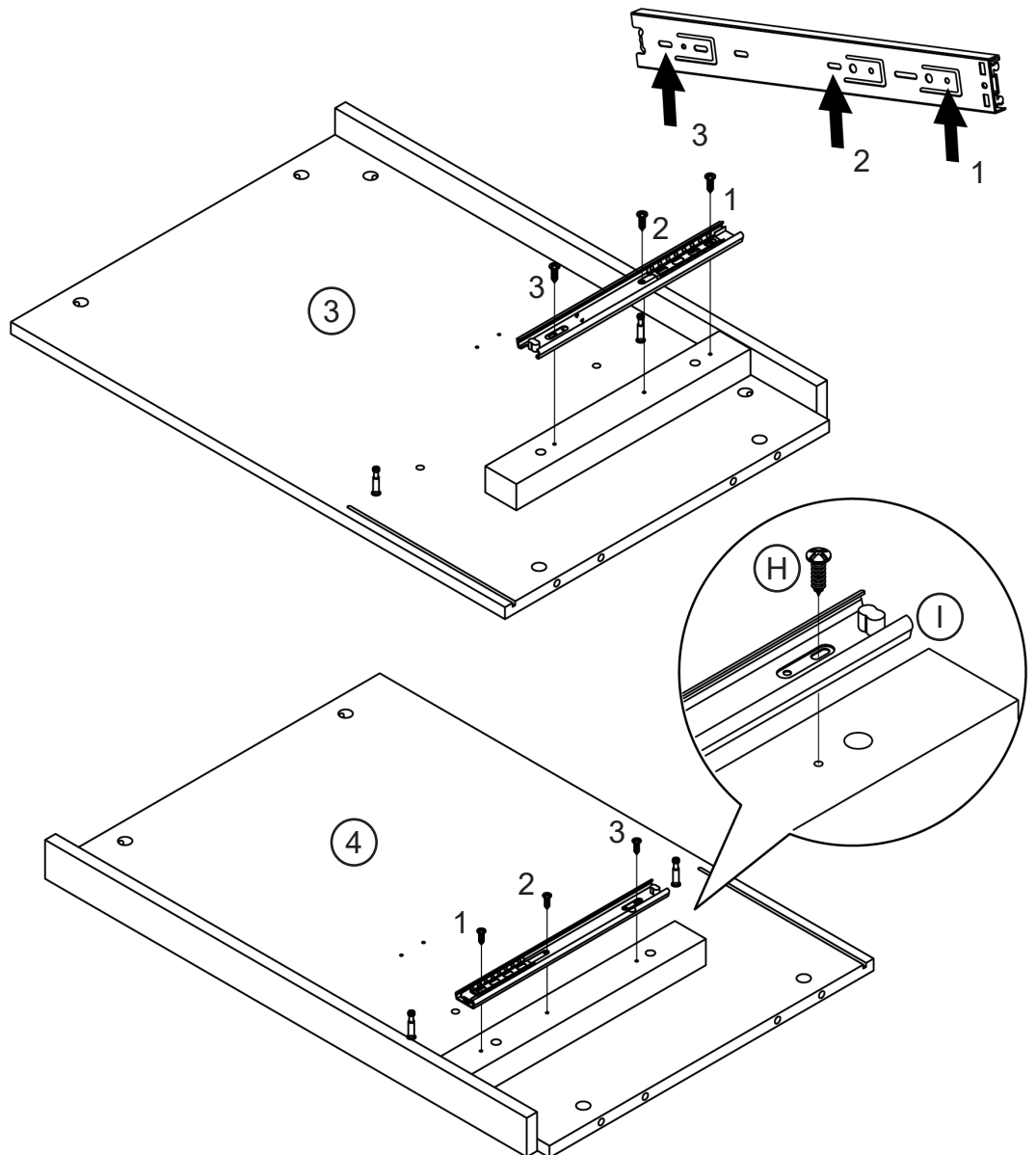
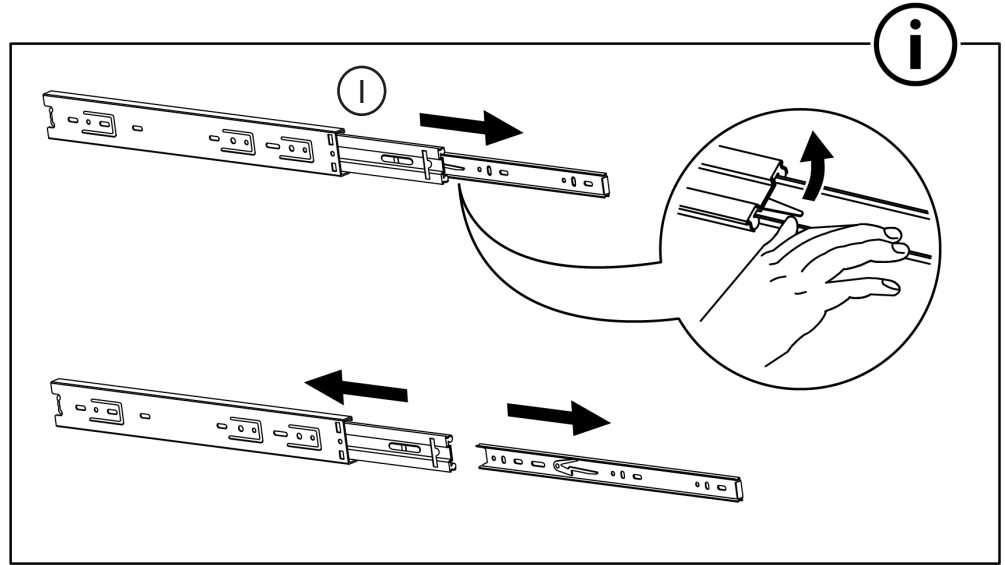
Attach drawer slide mounting brackets to the median panels.



(H) 6x

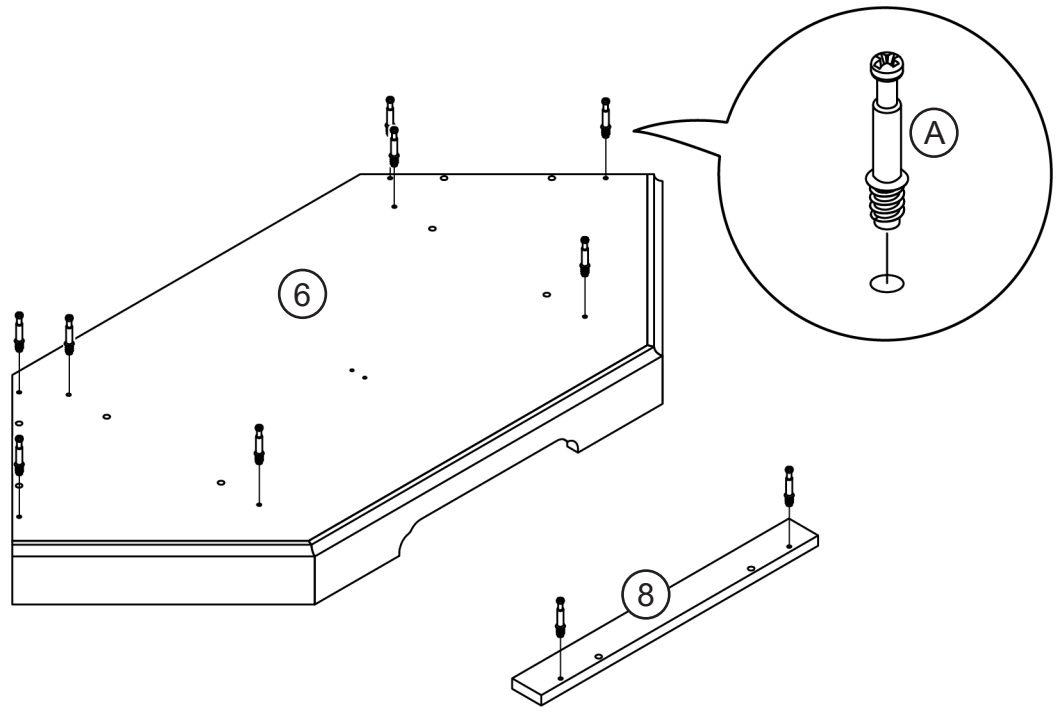
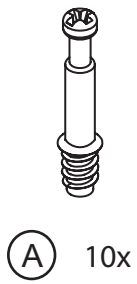


(I) 2x



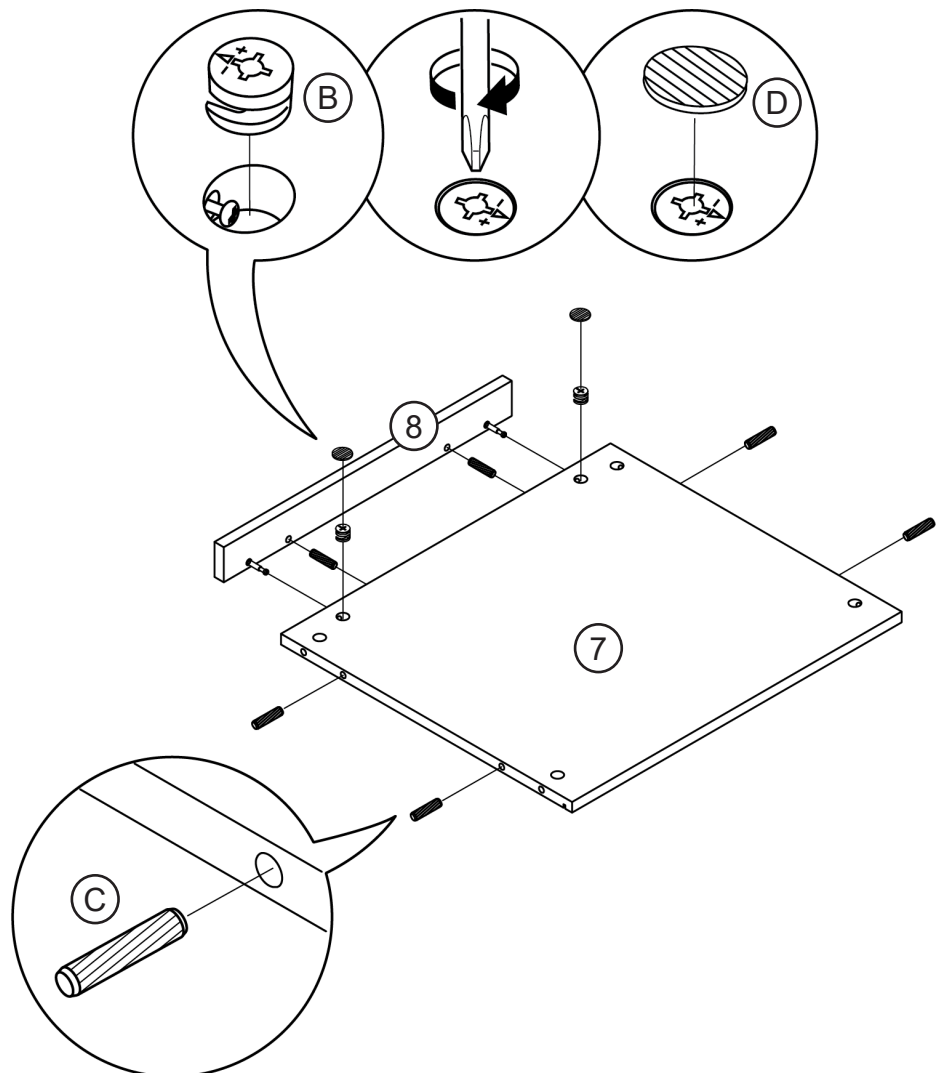
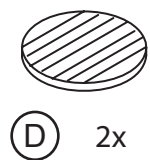
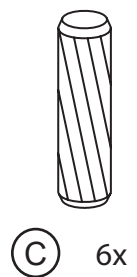
5

Attach cam bolts to the base and the fire mantel top trim panel.



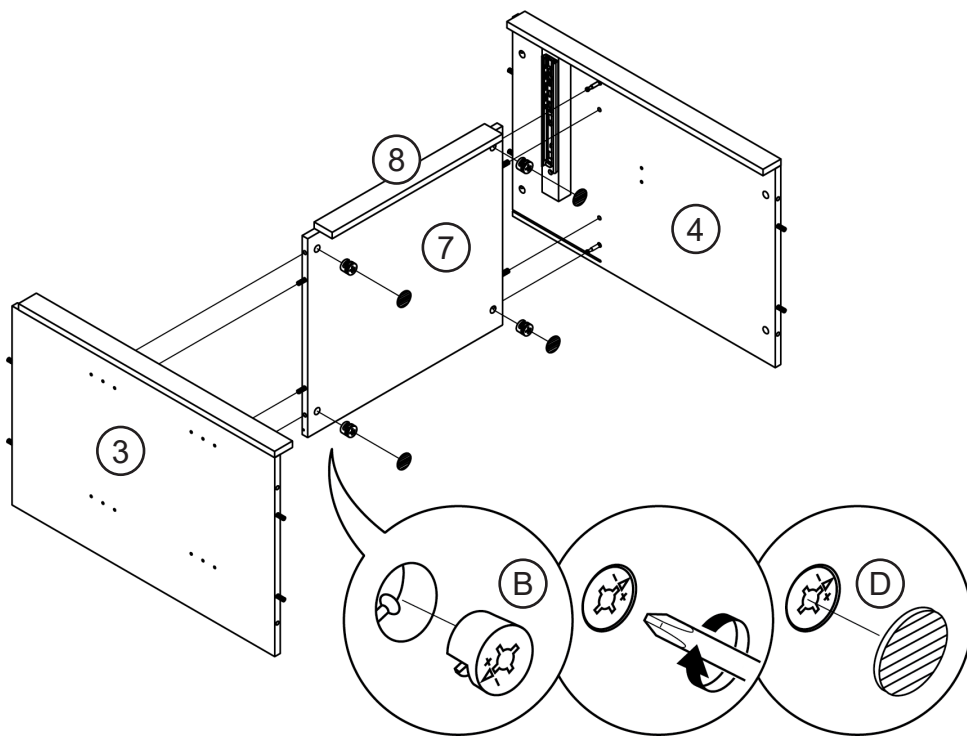
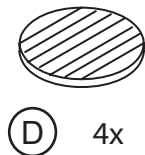
6

Insert wood dowels to the center storage shelf panel, and attach the fire mantel top trim panel to it.



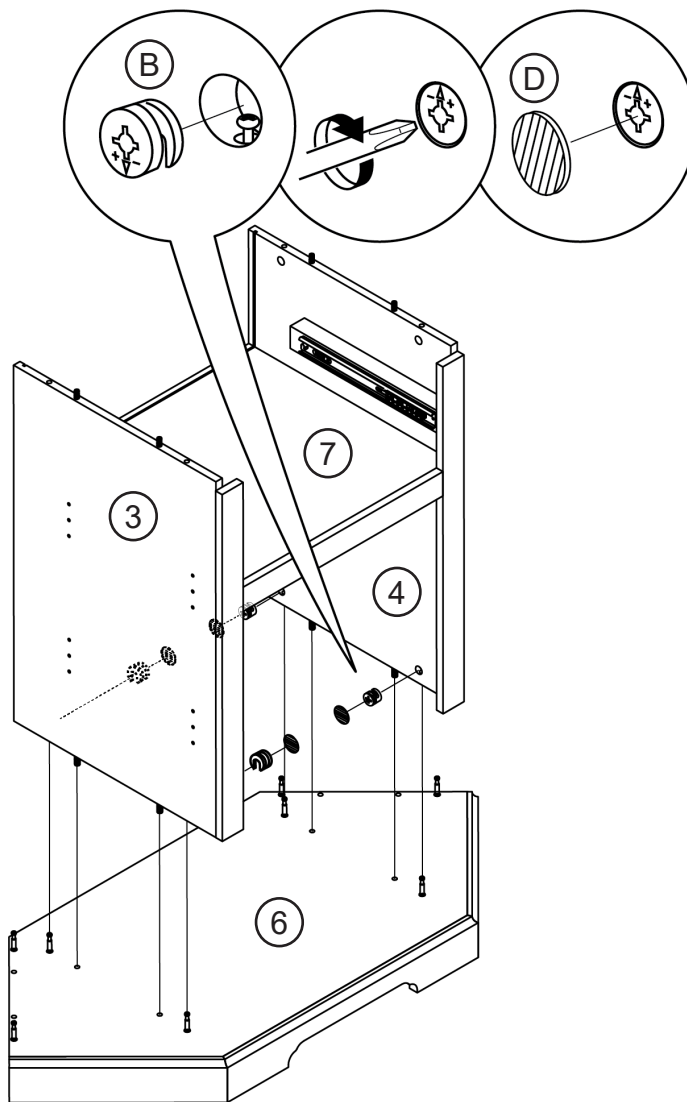
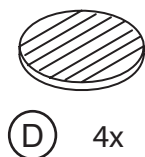
7

Attach center storage shelf panel between the two median panels.



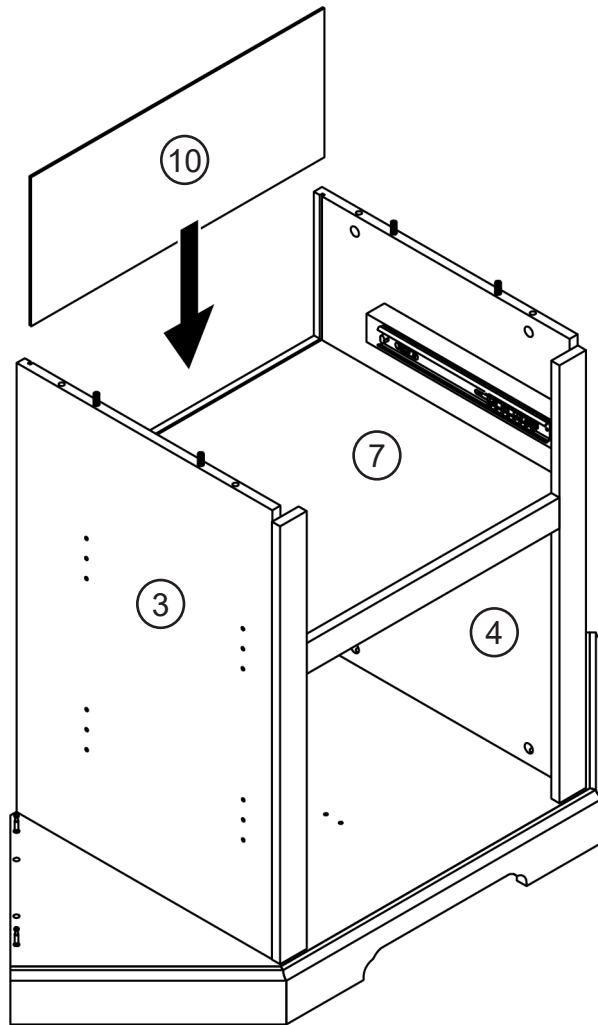
8

Assemble the median panels on top of the base.



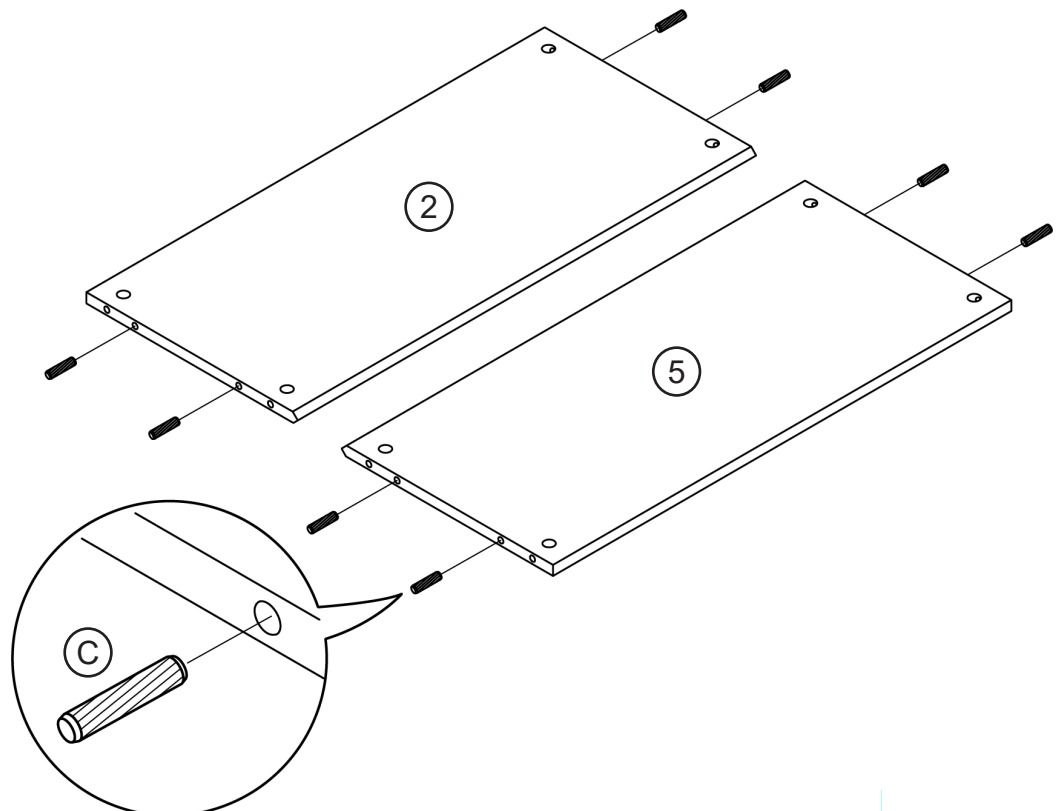
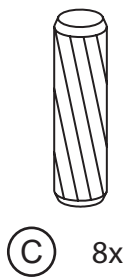
9

Slide in the back panel.



10

Insert wood dowels to the left and right panel.

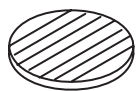


11

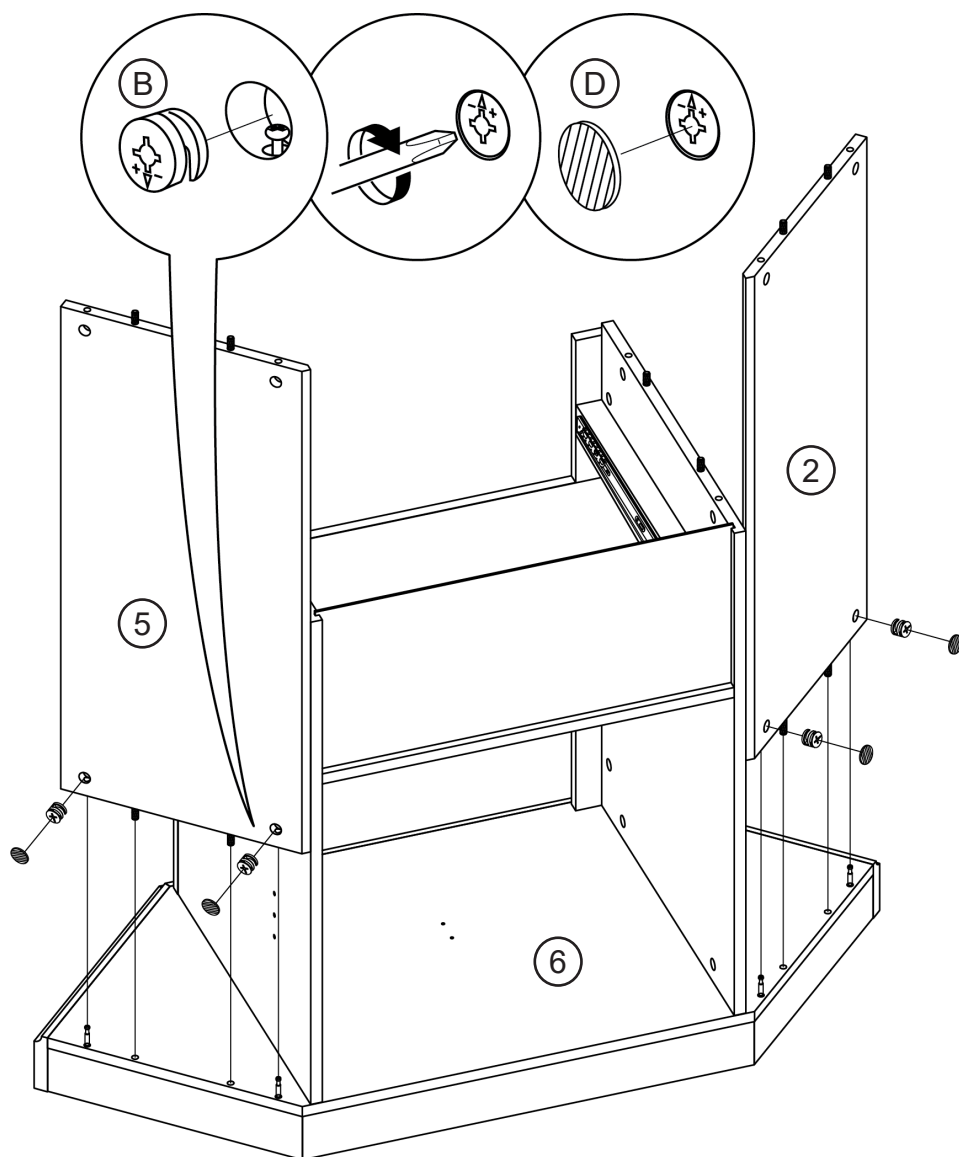
Assemble the left and right panel to the base.



(B) 4x



(D) 4x

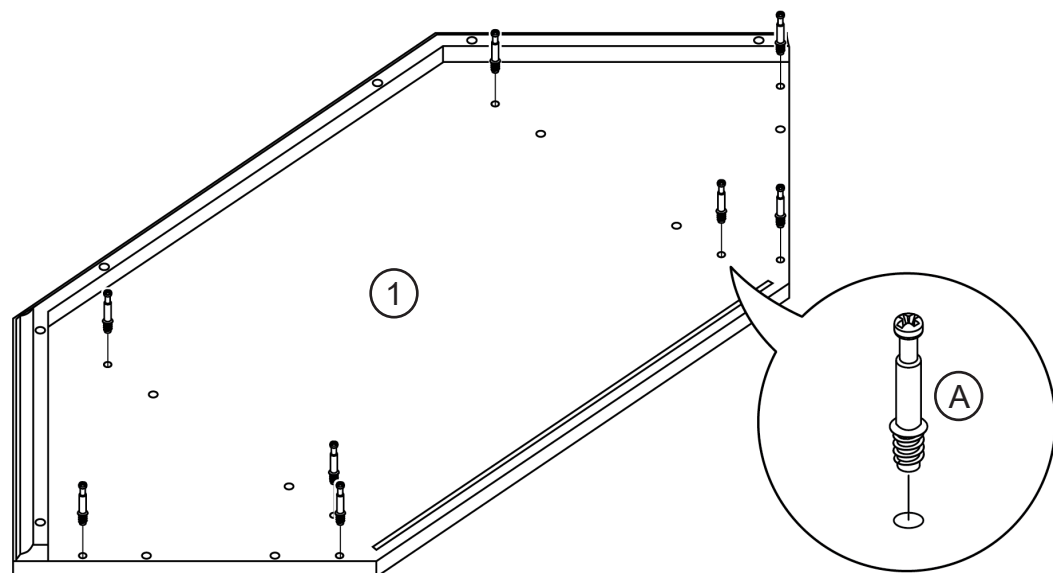


12

Attach cam bolts on the under side of the top panel.



(A) 8x

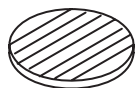


13

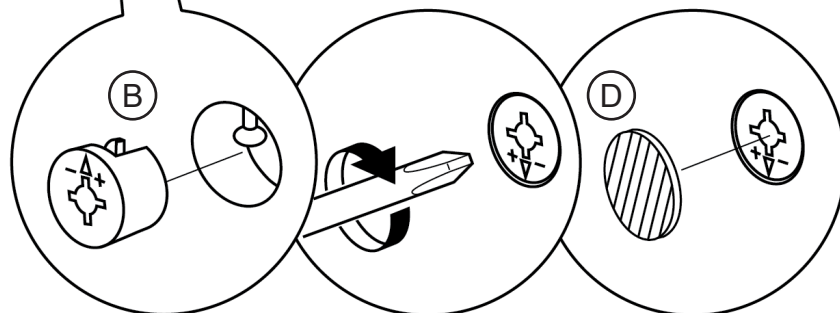
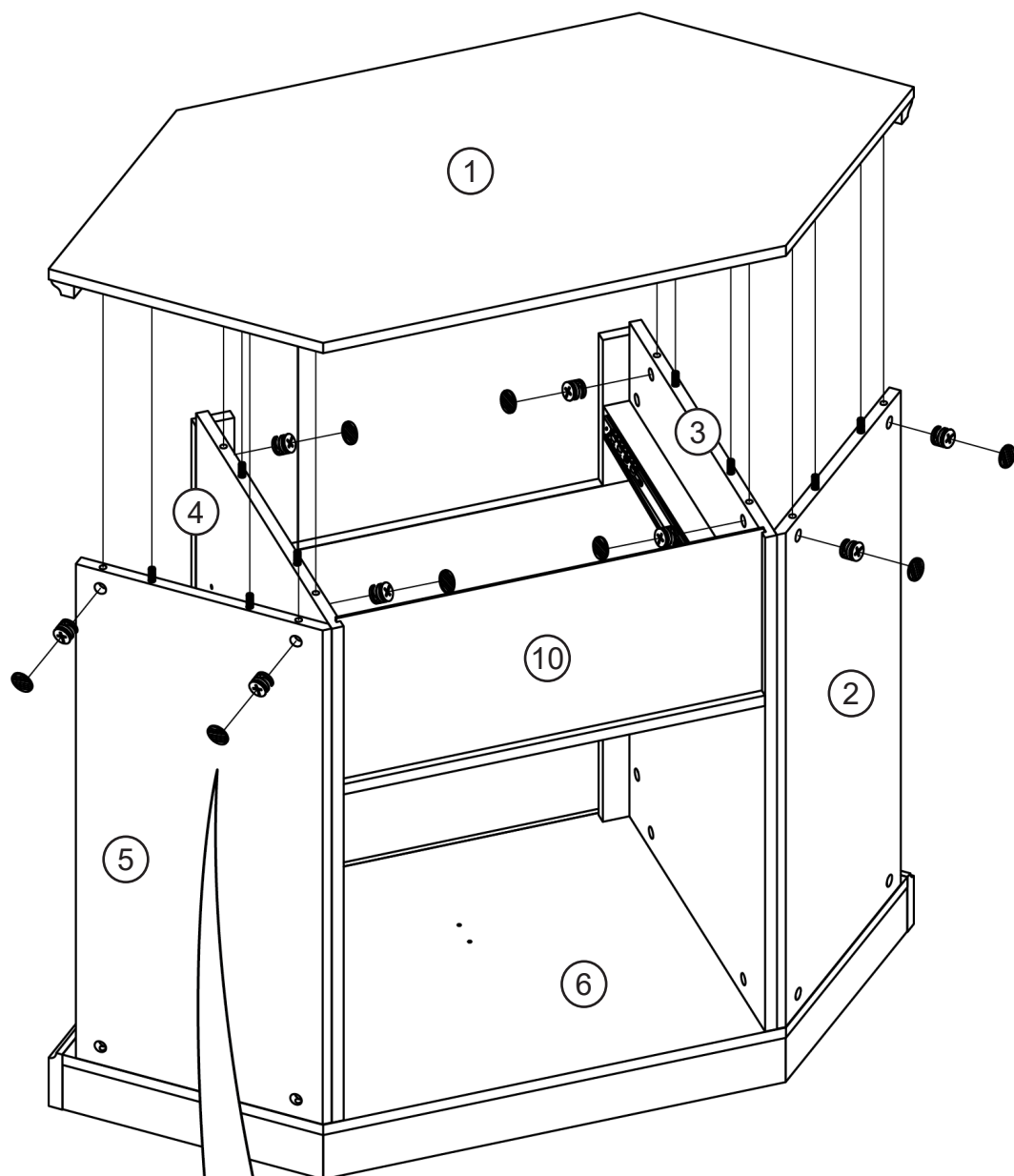
Assemble the top panel on top of the assembly.



(B) 8x



(D) 8x



14

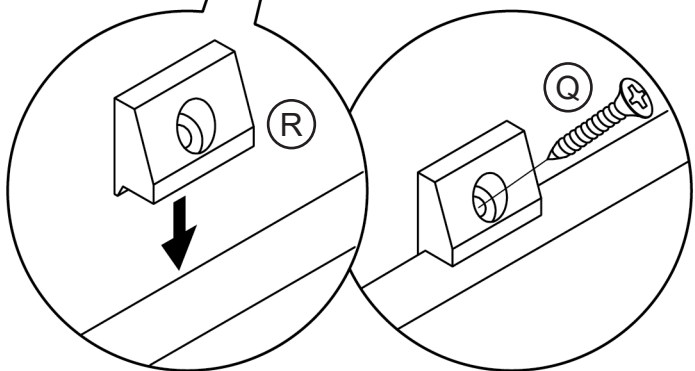
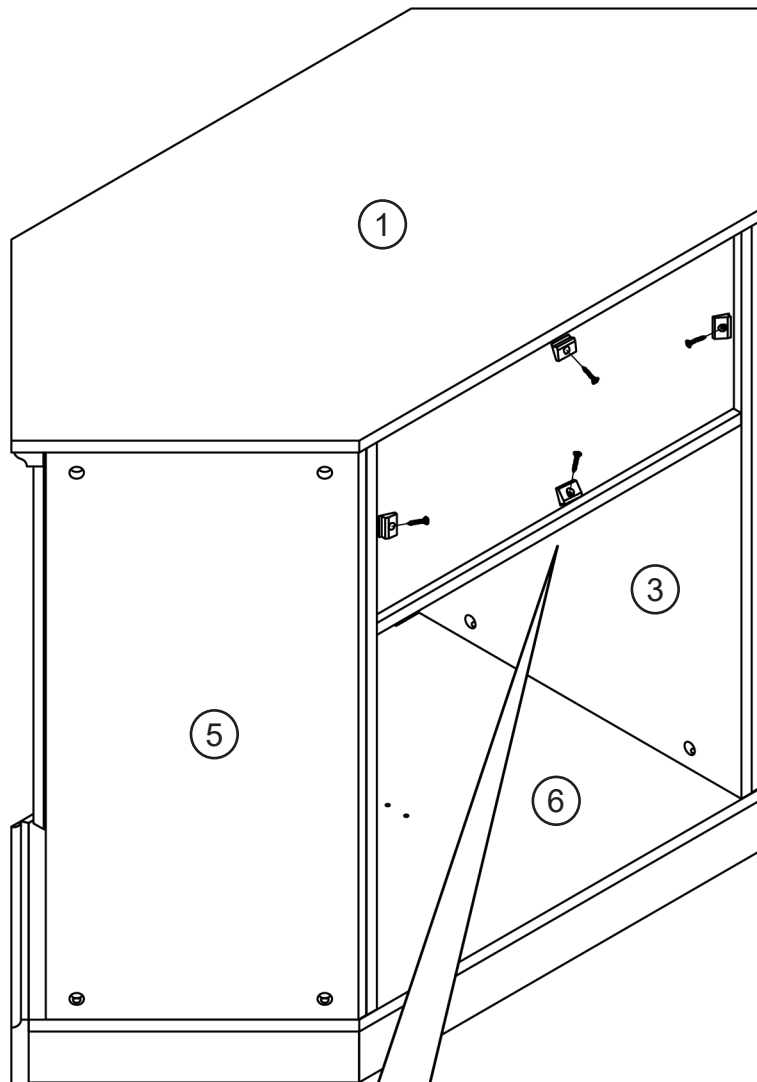
Secure the back panel in place



Q 4x

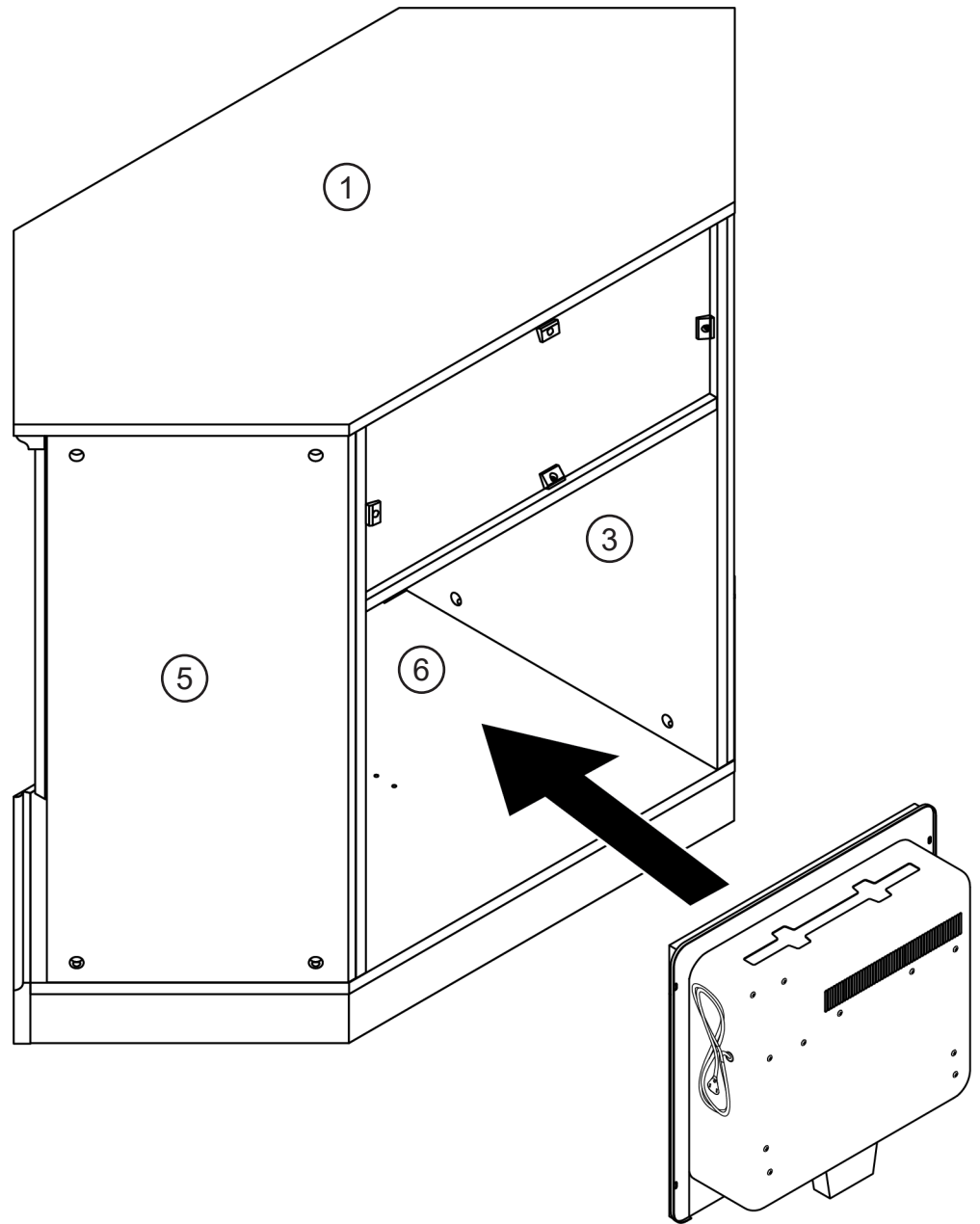


R 4x



15

Set the fireplace inside the fire mantel.



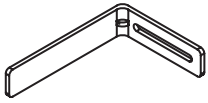
Set the fireplace from the back of the fire mantel and center it in the opening.

For the exact instruction, please refer to the user's manual provided with the fireplace.

NOTE: Do not attempt to install the fireplace from the front of the fire mantel. It will not fit.

16

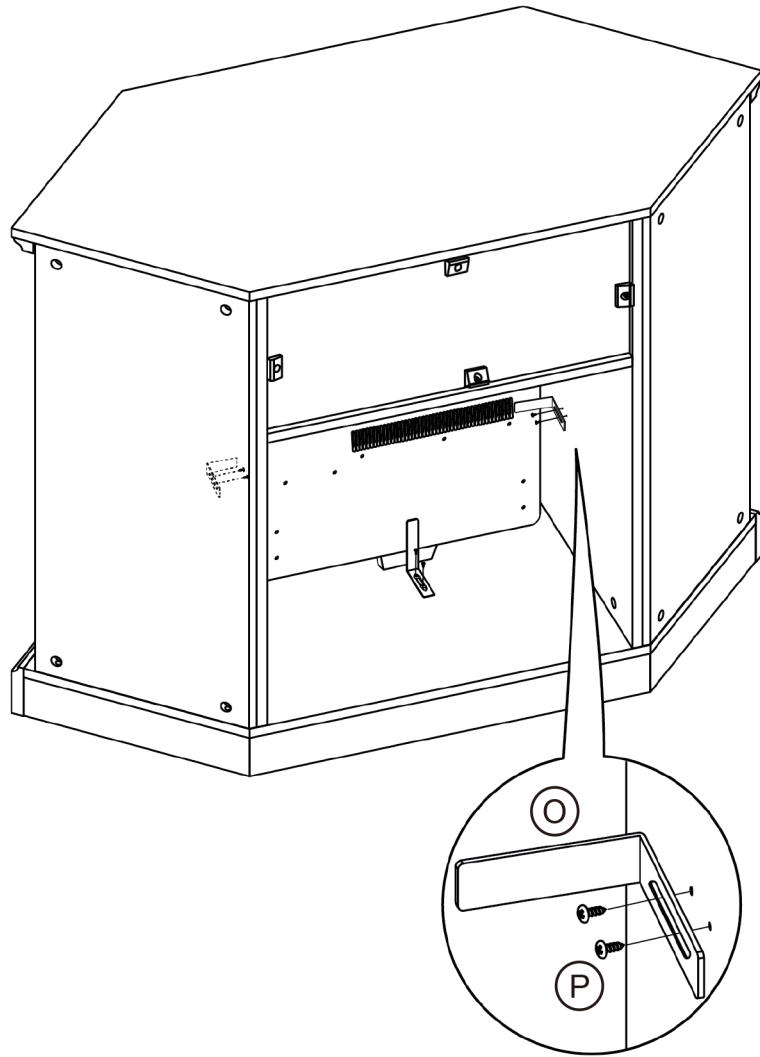
Secure the fireplace in place with metal brackets.



(O) 3x



(P) 6x

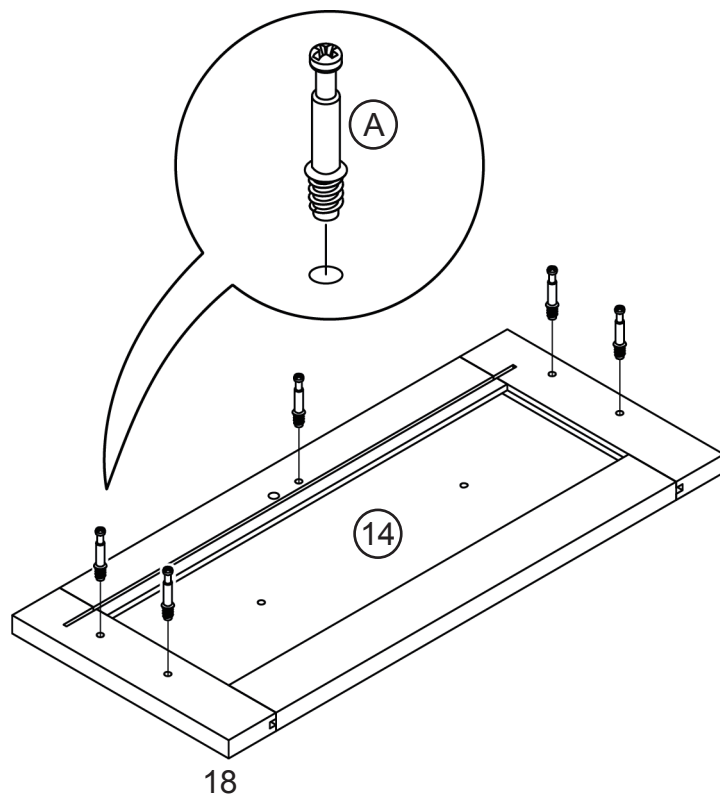


17

Attach cam bolts on the back side of the drawer front panel.



(A) 5x

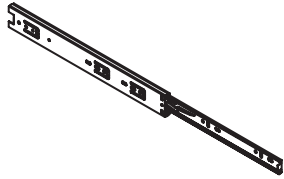


18

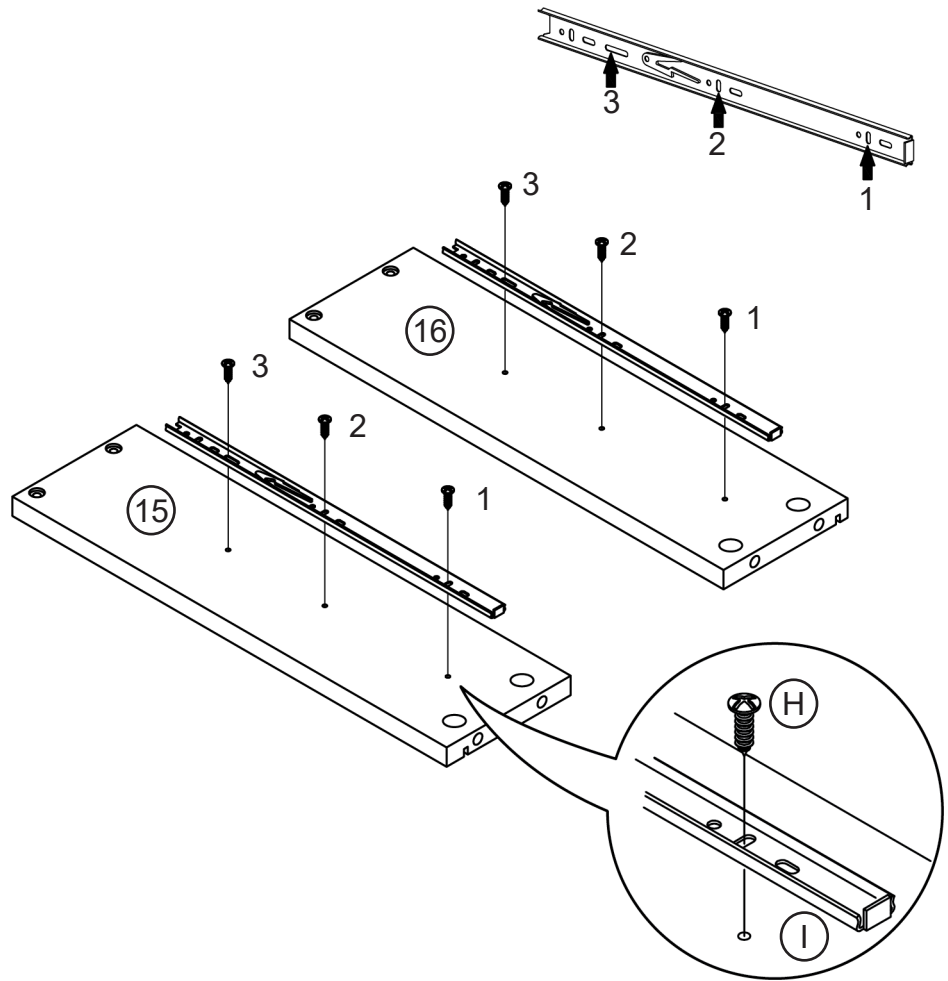
Attach drawer slides to the drawer side panels.



(H) 6x



(I) 2x

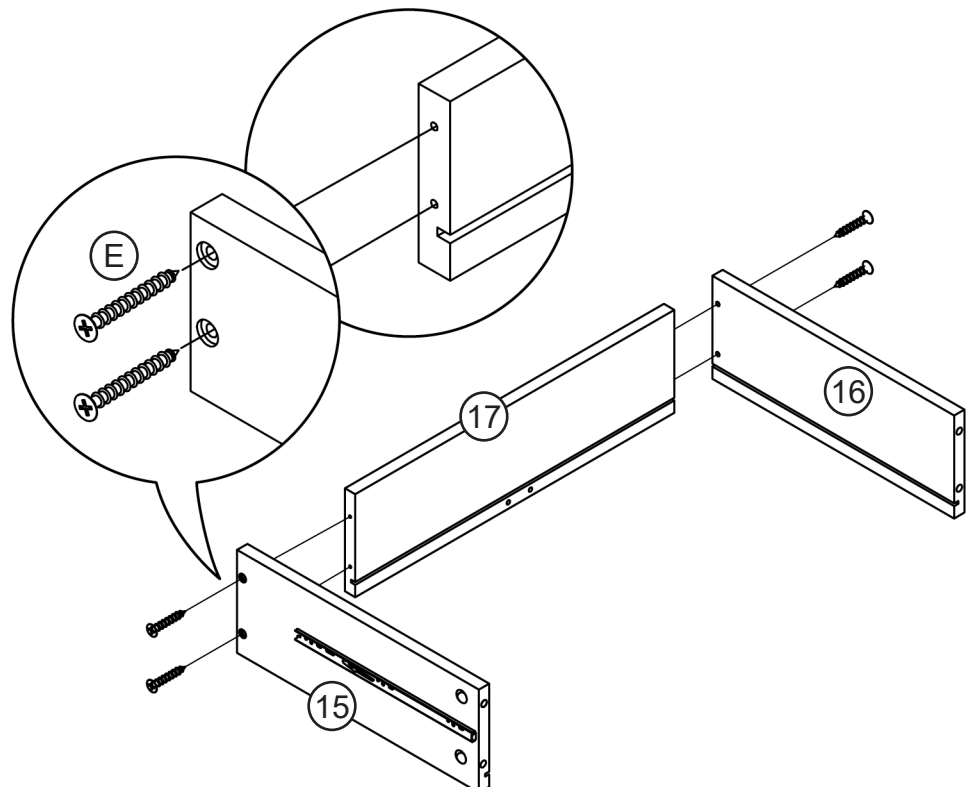


19

Assemble the drawer back panel between the drawer side panels.

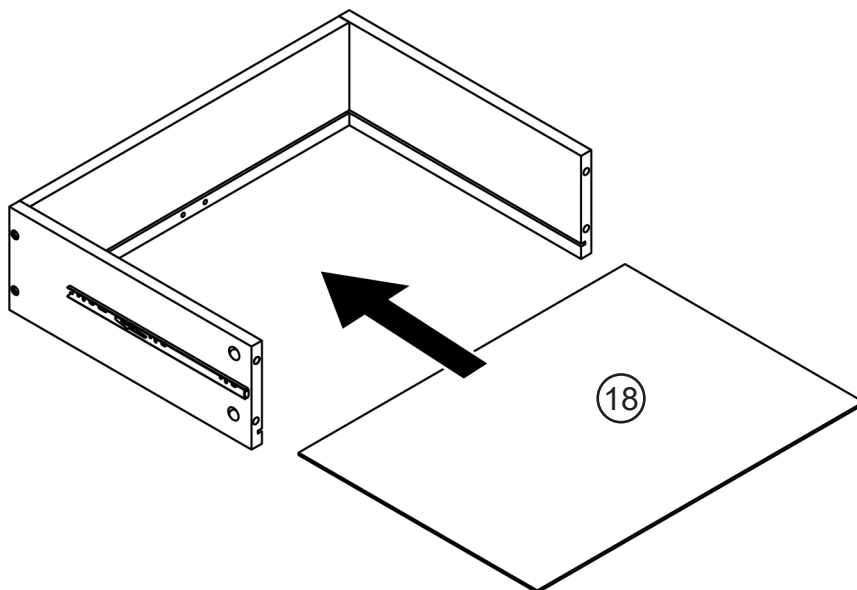


(E) 4x



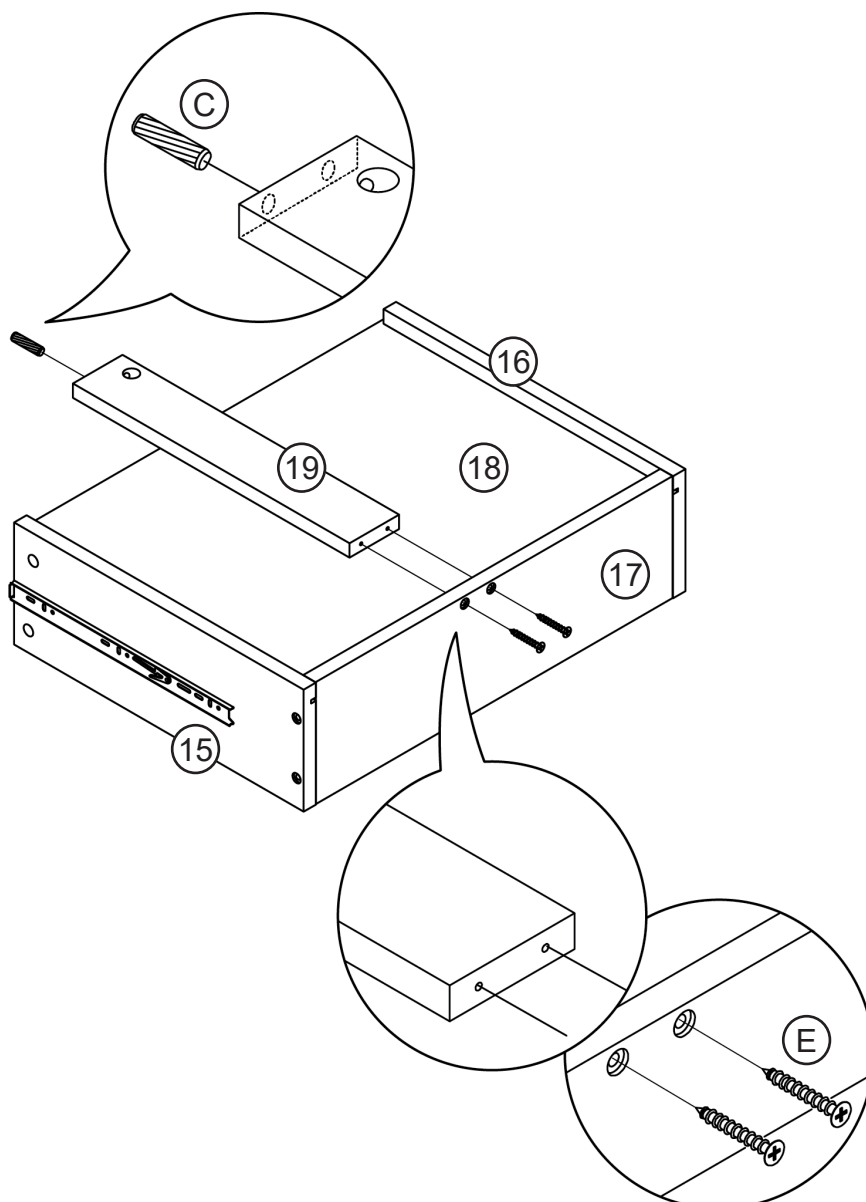
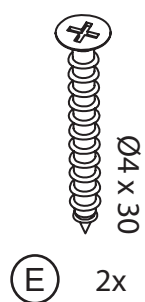
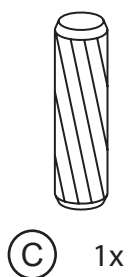
20

Slide in the drawer bottom panel.



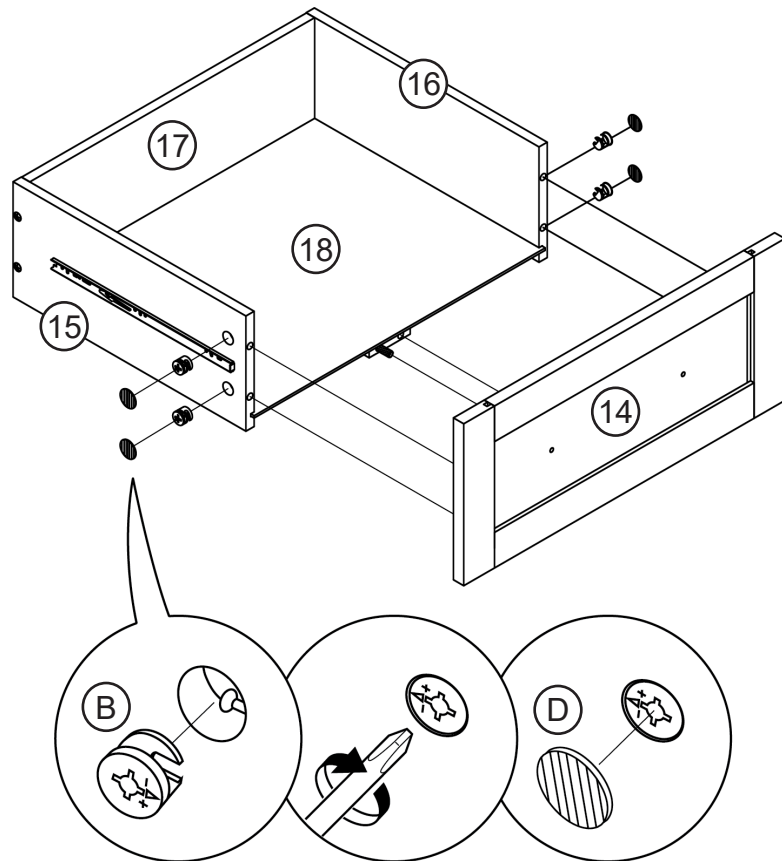
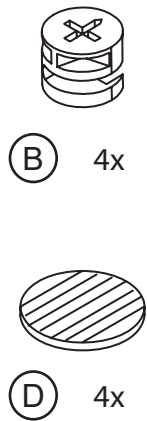
21

Assemble the drawer support bar to the drawer assembly.



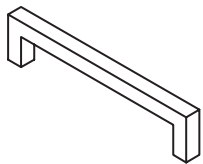
22

Assemble the drawer front panel to the drawer assembly.



23

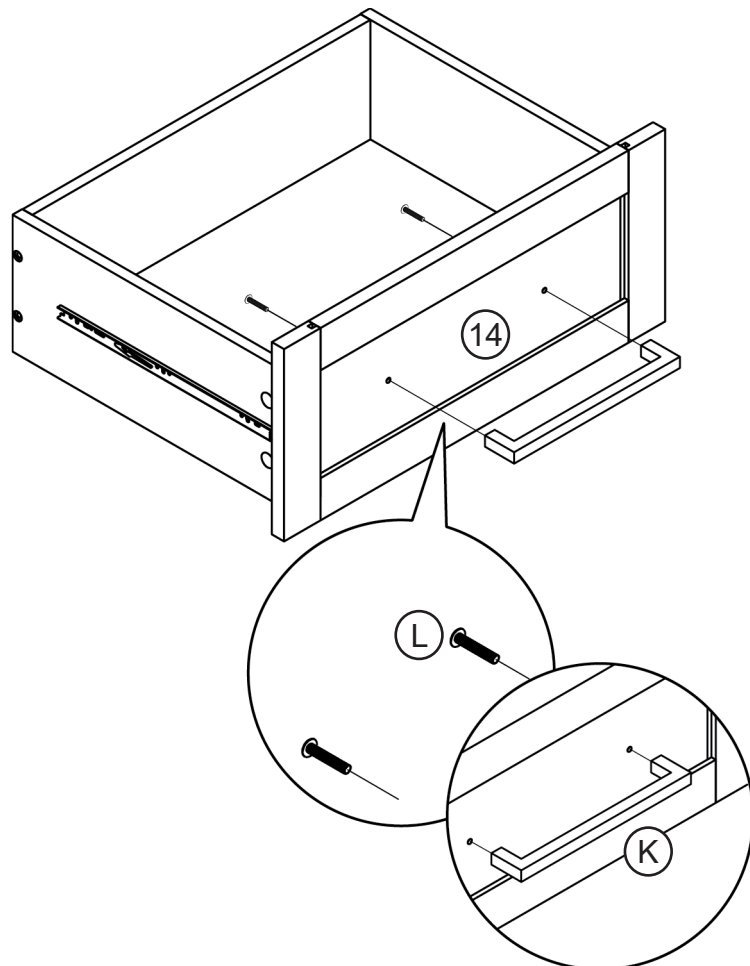
Attach the drawer handle to the drawer.



(K) 1x

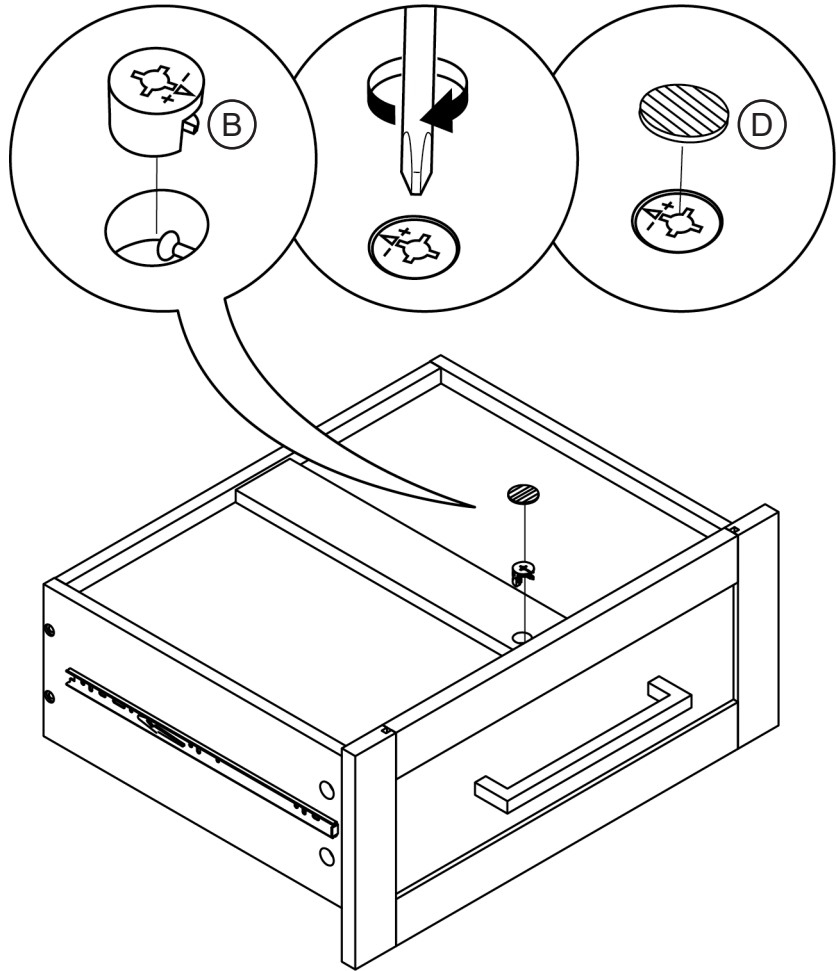
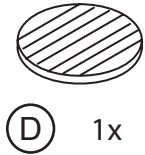


(L) 2x



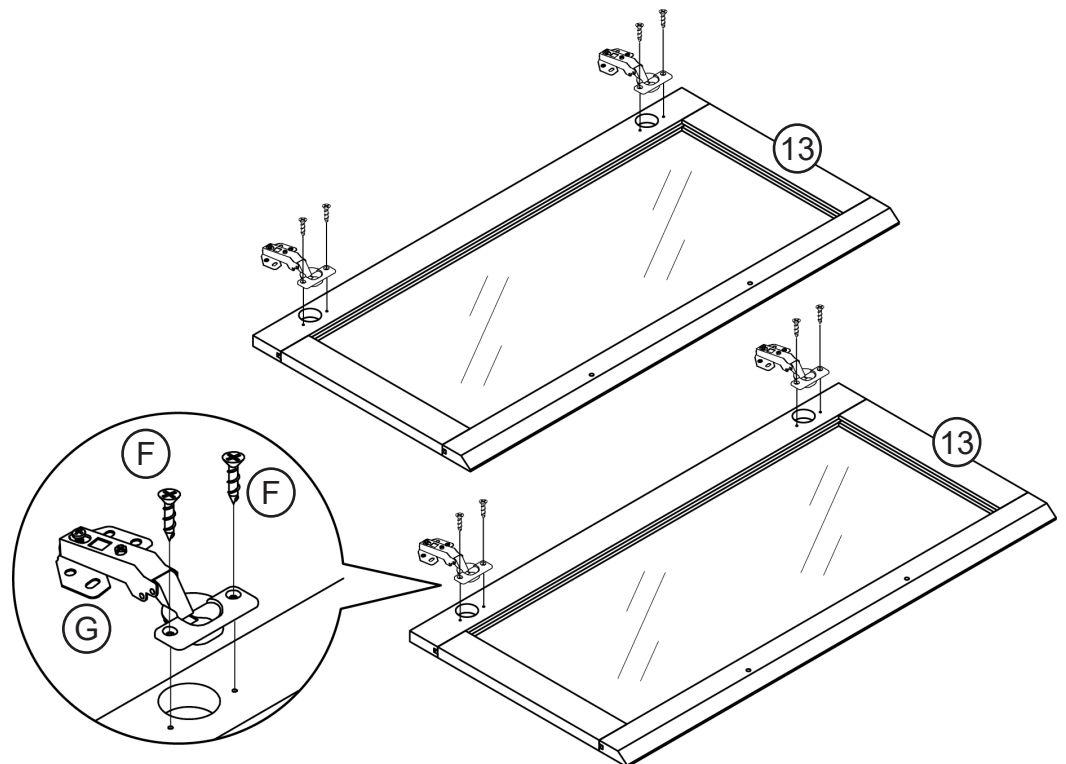
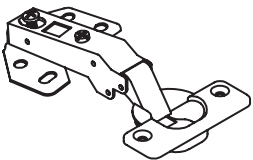
24

Secure the drawer support bar to the drawer front panel.



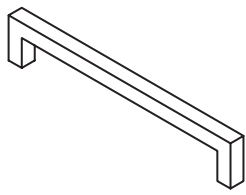
25

Attach door hinges on the cabinet doors.



26

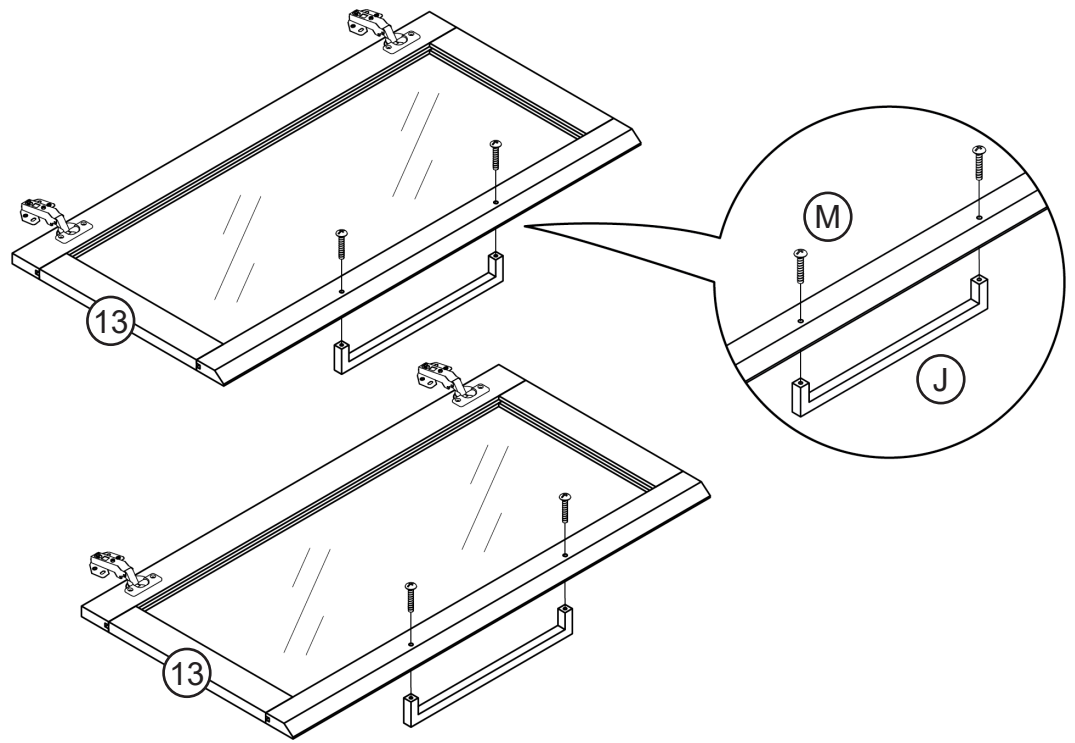
Attach door handles on the cabinet doors.



(J) 2x

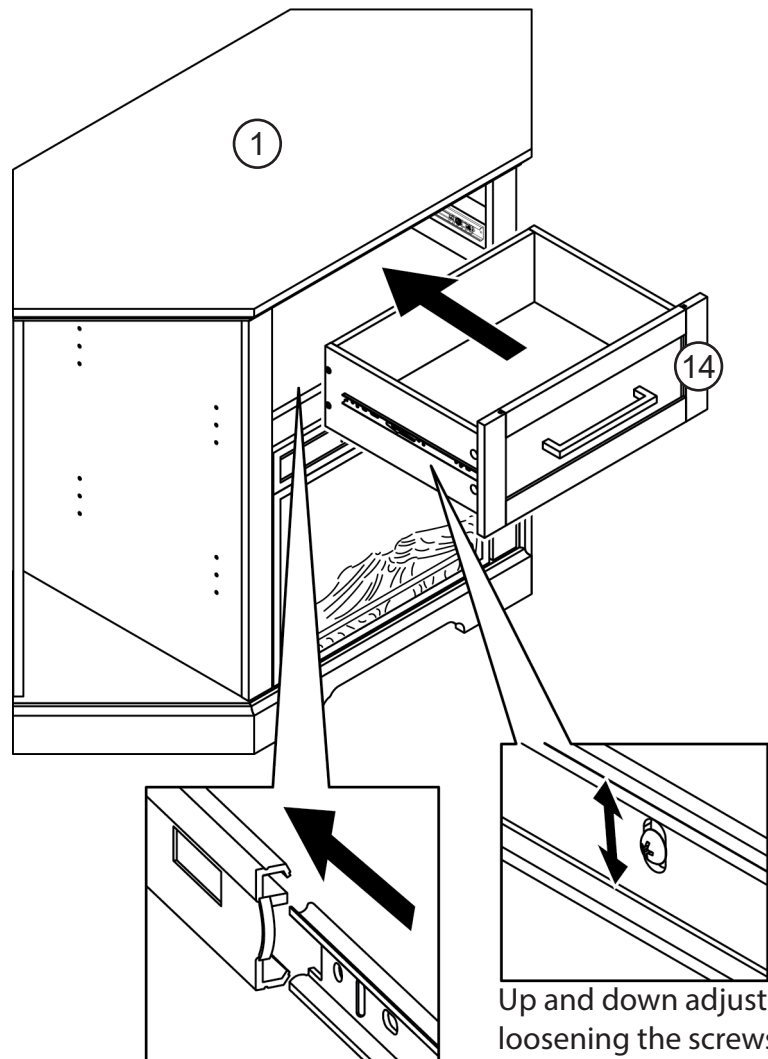


(M) 4x



27

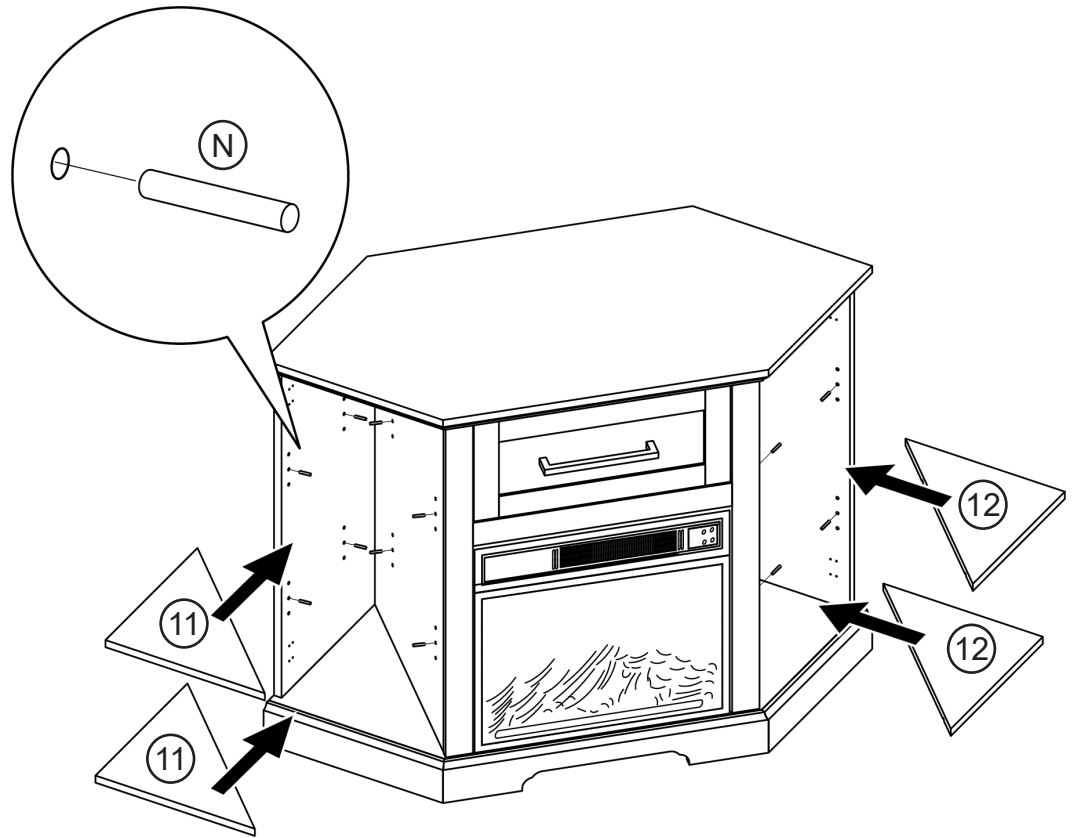
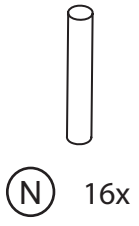
Slide drawer into the TV stand.



Up and down adjustment by loosening the screws on the drawer slide.

28

Insert shelf pegs into the TV stand and put on the storage shelf panel.

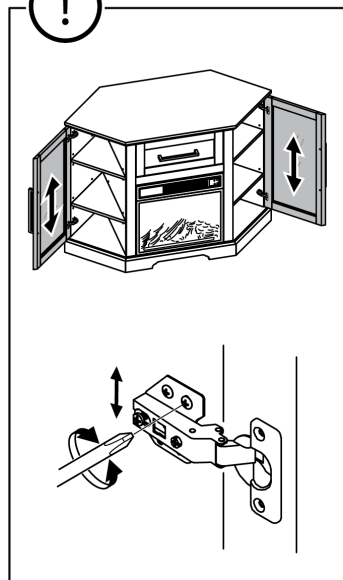
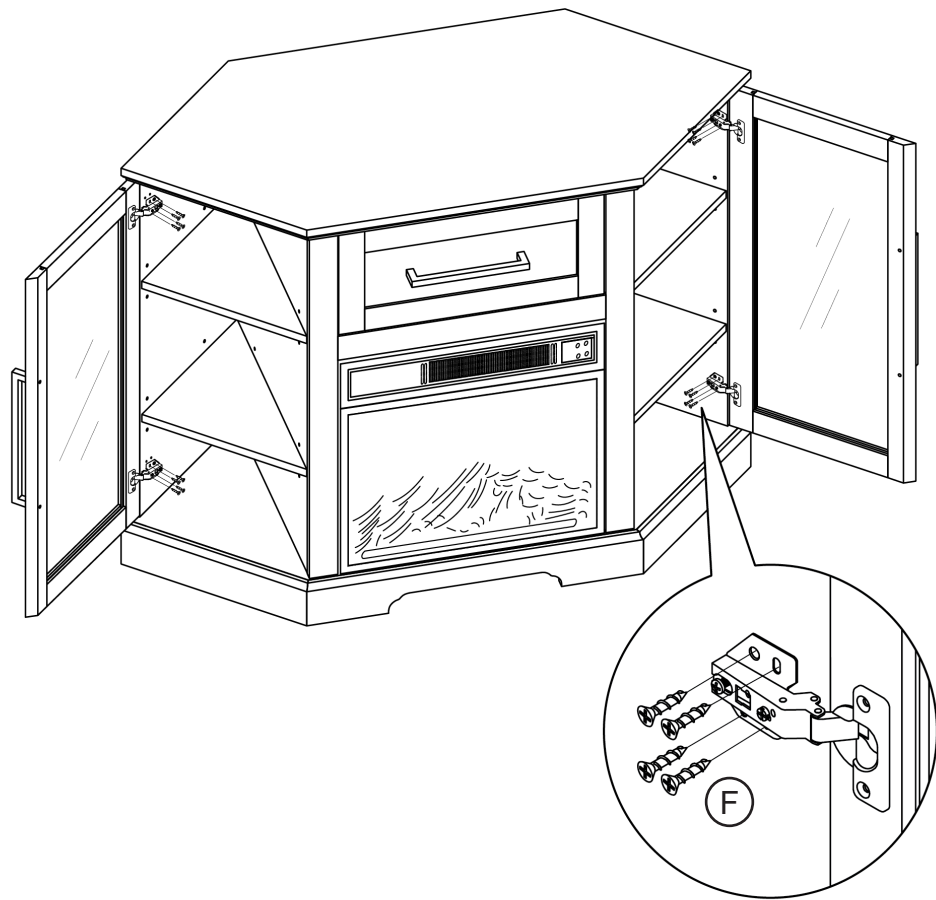


29

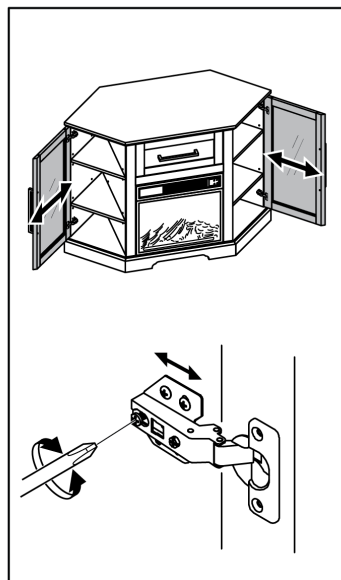
Assemble cabinet doors to the TV stand.



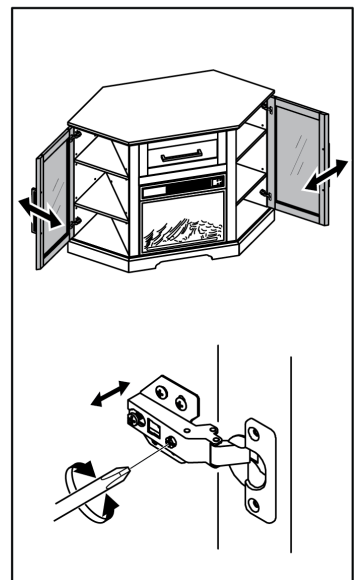
(F) 16x



Up and down adjustment by loosening the screws on the mounting plate.



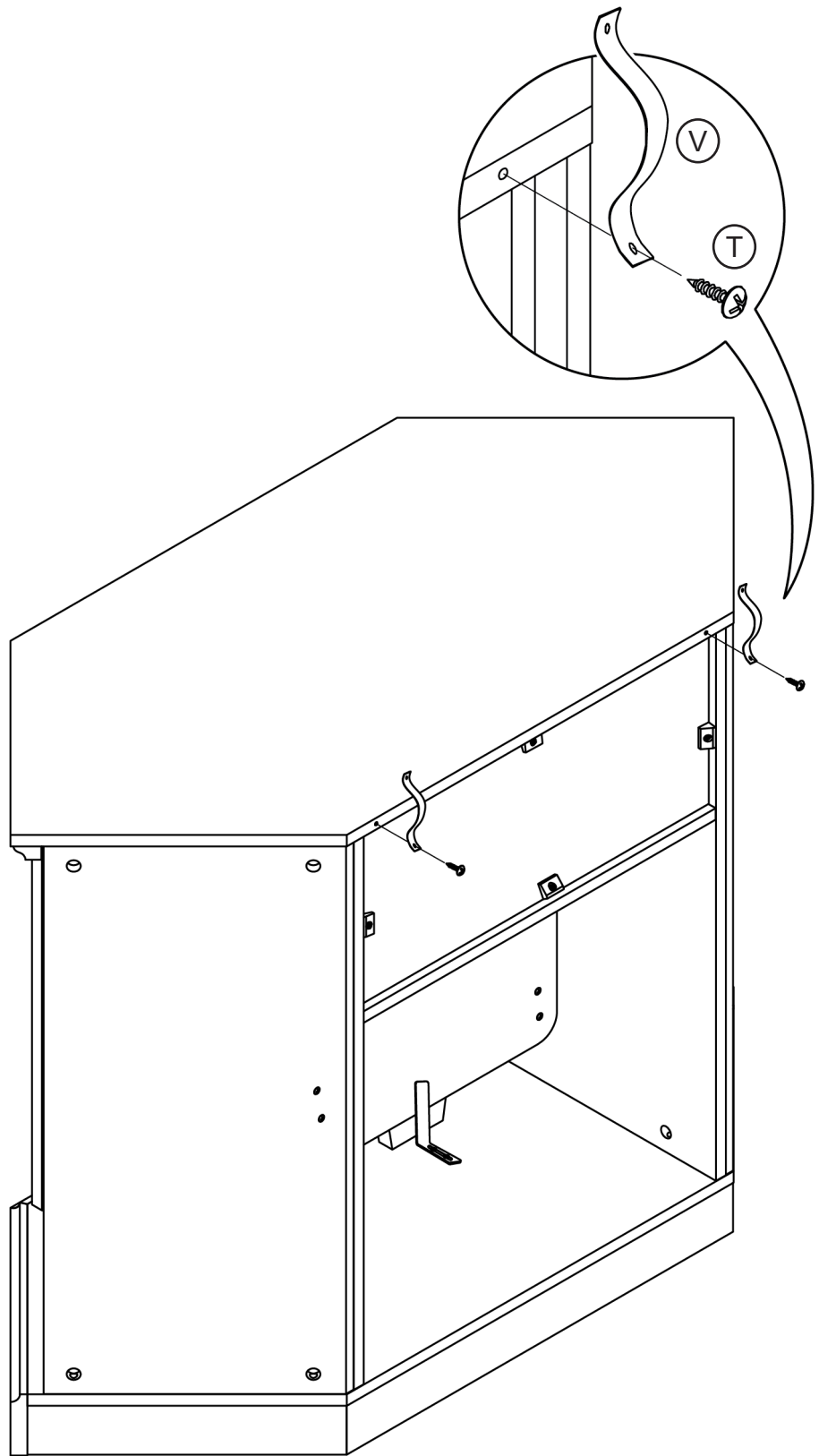
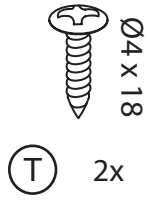
In and out adjustment by loosening the screws on the hinge arm.



Side to side adjustment using the front adjustment screw on the hinge.

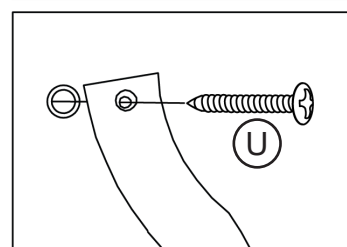
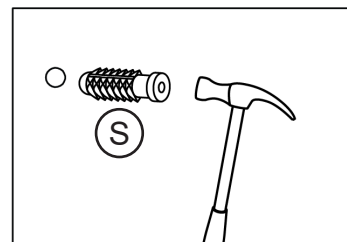
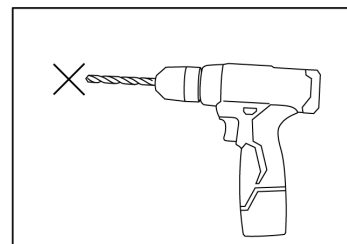
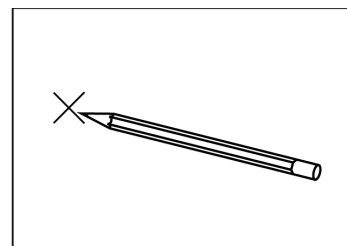
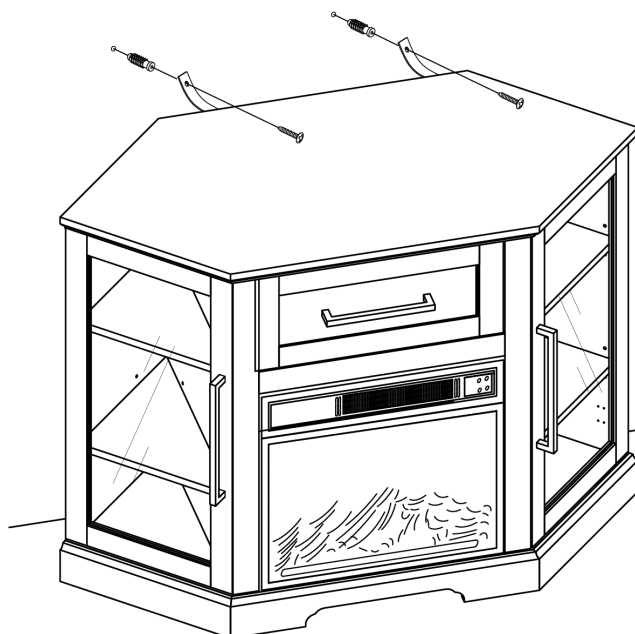
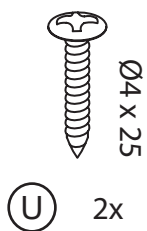
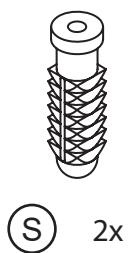
30

Attach anti-strap behind the fire mantel.



31

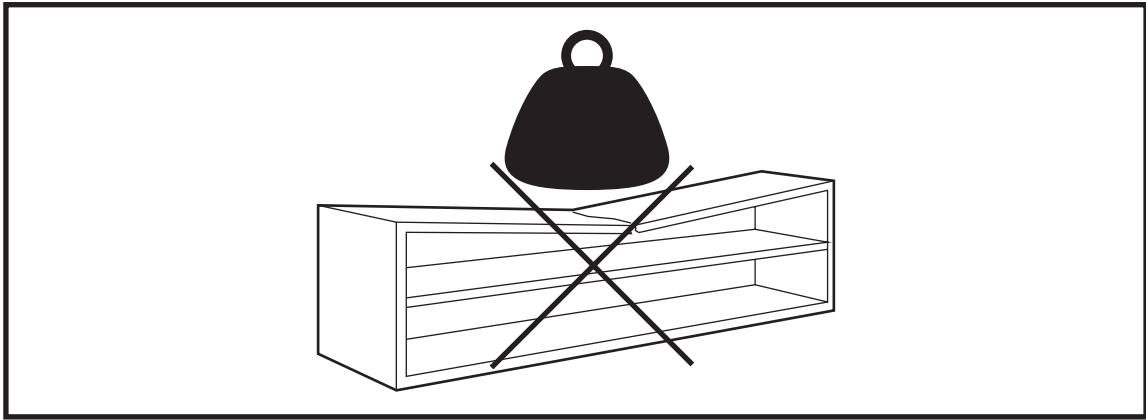
Affix the TV stand to the wall.



Furniture must permanently fixed to the wall stud with included anti-tipping device to prevent the furniture from tipping over.

- Mark the drill position on the wall with a pencil.
- Drill a small hole on the marked position.
- Insert a wall anchor into the drilled hole.
- Fixed the anti-tipping strap to the wall with provided screws.

YOU'RE FINISHED!

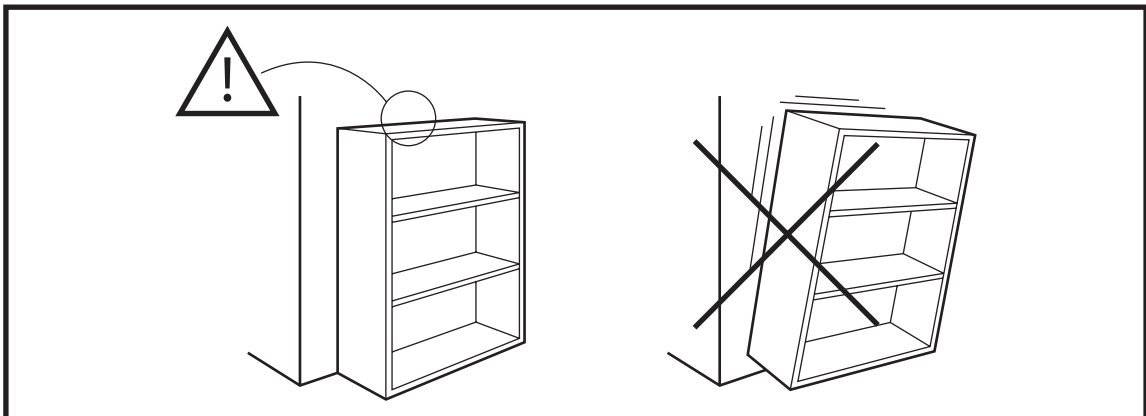


Warning

Only place items on top of the product if they meet the recommended size and weight limits.

Climbing on, stepping on, or placing overweighted objects on the product may cause property damage and/or injuries.

Items placed onto this product must be resting on a support surface without hanging over the edges.



Warning

Serious or fatal crushing injuries may occur if the furniture tip-over. Furniture must permanently affixed to the wall with included anti-tipping device in order to prevent the furniture from tipping over.

Different wall materials requires different types of wall anchors or screws. Use a suitable wall anchors or screws for your specific wall in order to secure the stability and load bearing capacity of the furniture. If you are uncertain about which type of device to use, please contact us or your local hardware store.

WARNING

For use with televisions weighing 70lbs (31.7kg) or less. Use with heavier televisions may result in instability, causing tip over resulting in death or serious injury.

Death or serious injury may occur when children climb on audio and/or video equipment furniture. A remote control or toys placed on the furnishing may encourage a child to climb on the furnishing and as a result the furnishing may tip over on to the child.

Relocating audio and/or video equipment to furniture not specifically designed to support audio and/or video equipment may result in death or serious injury due to the furnishing collapsing or over turning onto a child.

NOTICE

This product is designed for flat panel TVs only.

FURNITURE CARE AND MAINTENANCE

Medium - Density Fiberboard

Thank you for your purchase. We want your item to last as long as possible. To ensure the product gives you years of longevity, please follow the recommendations in this care and maintenance guide.



MAINTENANCE

- Tighten all bolts and screws again within the first 2 weeks of assembly.
- Check the tightness of all bolts every 2 months and tighten them if necessary.



CLEANING

- Clean the surface of the MDF (medium - density fiberboard) with a lightly dampened cloth.
- A small amount of mild soap can be used if necessary.
- Dry the surface immediately after cleaning.

⚠ DO NOT use bleach or alcohol to clean the surface.

⚠ DO NOT apply wood treatment on parts made with MDF.

MDF will swell and distort when exposed to water damage. Make sure to dry the furniture immediately after cleaning.

⚠ WARNING

The manufacturer and seller are not responsible for any and all liability relating to personal injury, property damage or losses, whether direct, indirect, or incidental, resulting from the incorrect attachment, improper use, inadequate maintenance, unapproved modification or neglect of this product.

WARRANTY

Our products come with a 1-year warranty from the date of delivery. **Register your product on our website to enjoy our limited lifetime warranty!**



Encounter any difficulties or missing parts?



Contact us



We will send you replacement.



Hassle free!
No need to worry about repackaging and sending your item back.