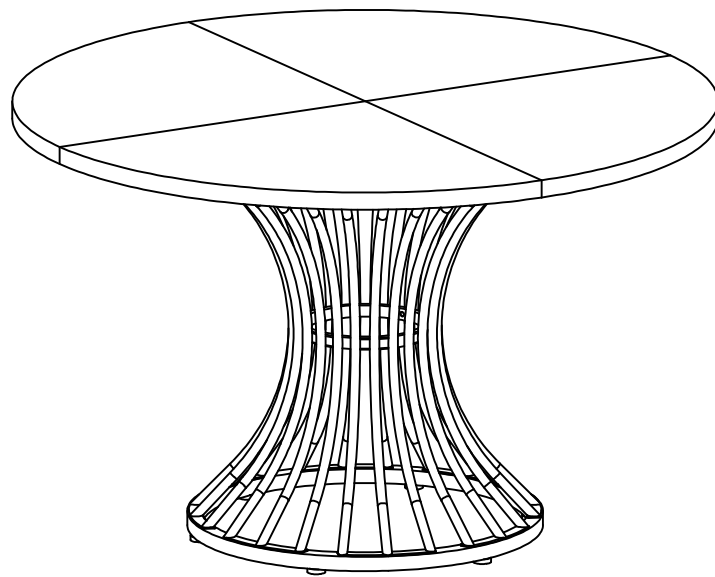
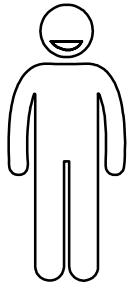


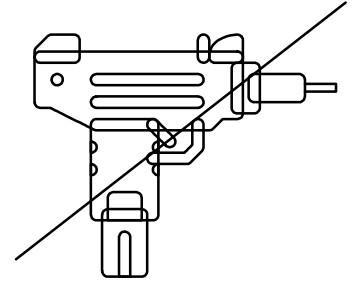
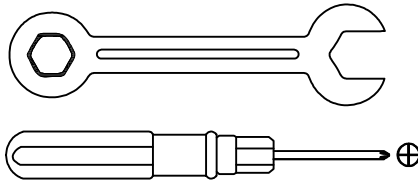
Assembly Instructions



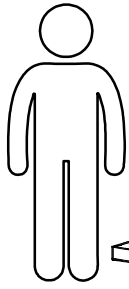
Table



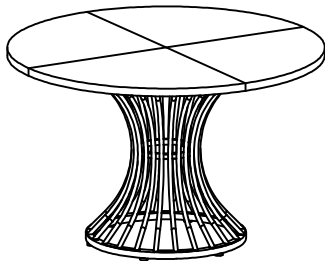
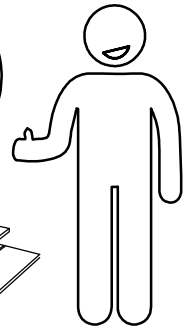
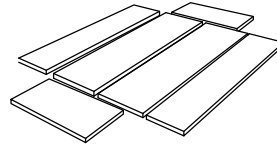
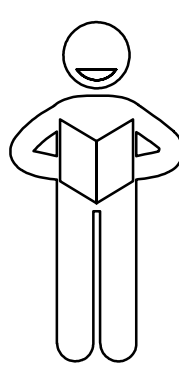
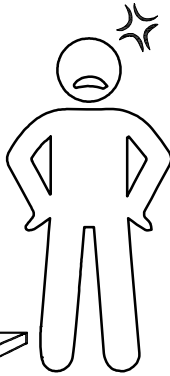
X2



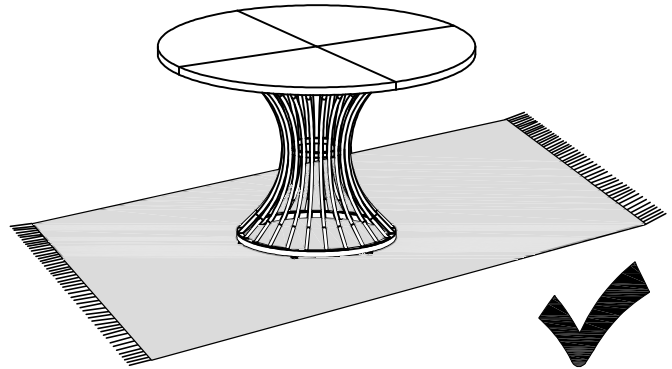
When using the electric screwdriver ,
Reduce the power and torque to avoid damaging the furniture



?

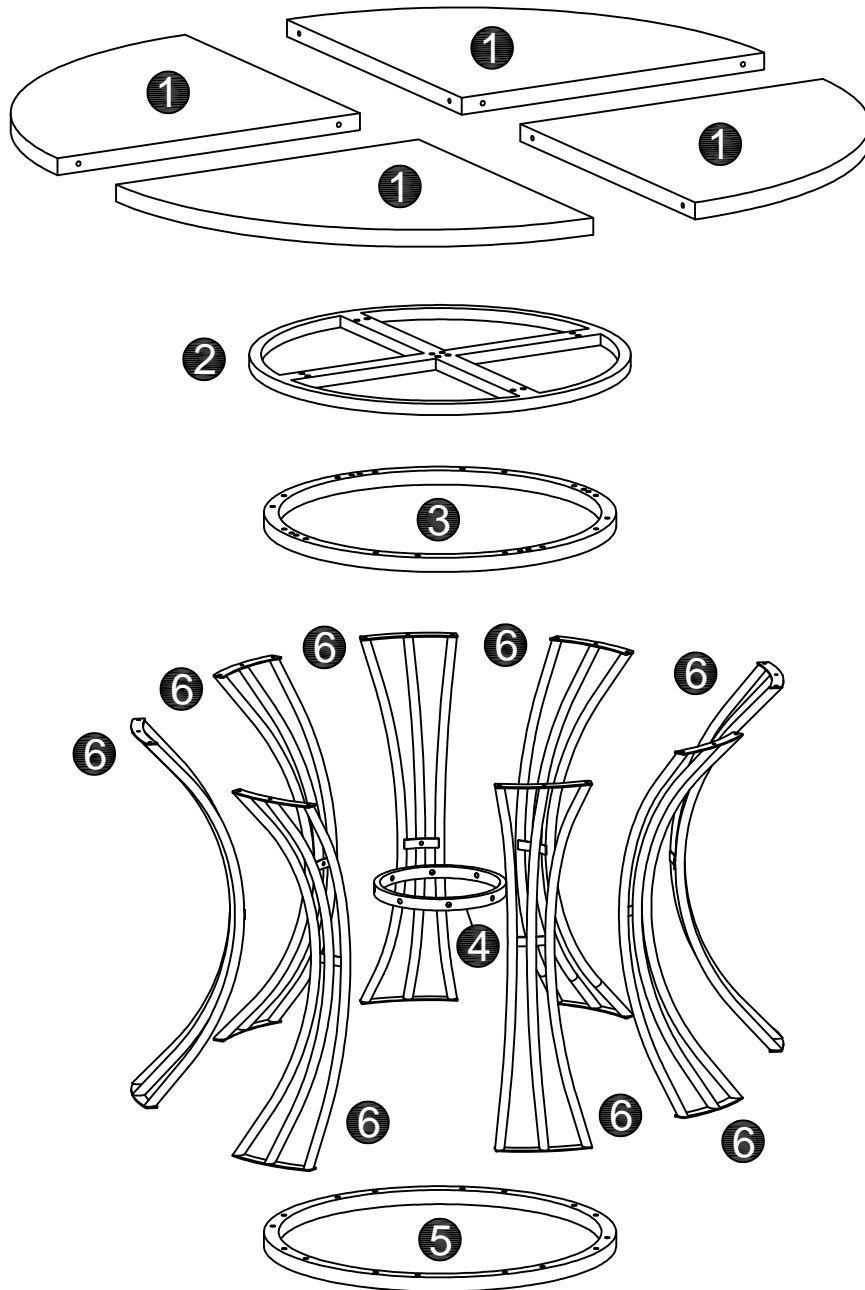


X



✓

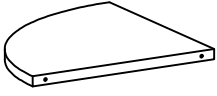
the risk of tip-over.



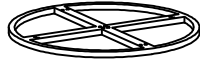
⚠ Caution

Make sure all parts are included. Most board parts are labeled or stamped on the raw edge. contact us for free replacement if having damaged or missing parts.

Parts & Hardware List



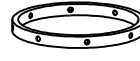
① 4pcs



② 1pc



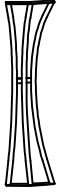
③ 1pc



④ 1pc



⑤ 1pc



⑥ 8pcs

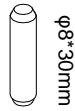
Hardware List



A
8pcs+1pc



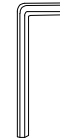
B
52pcs+1pc



C
8pcs+1pc

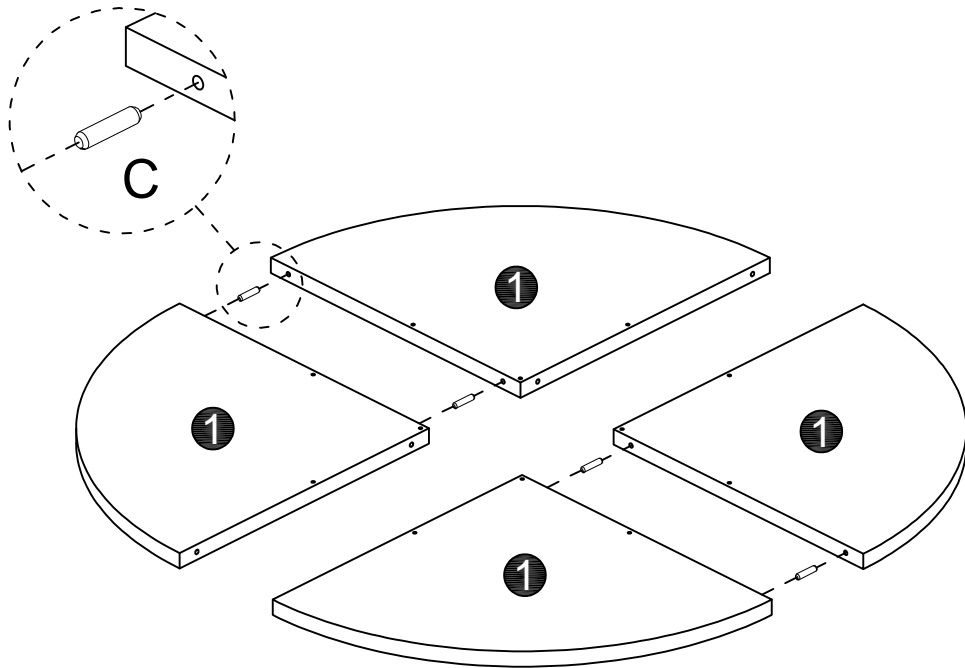


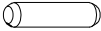
D
6pcs



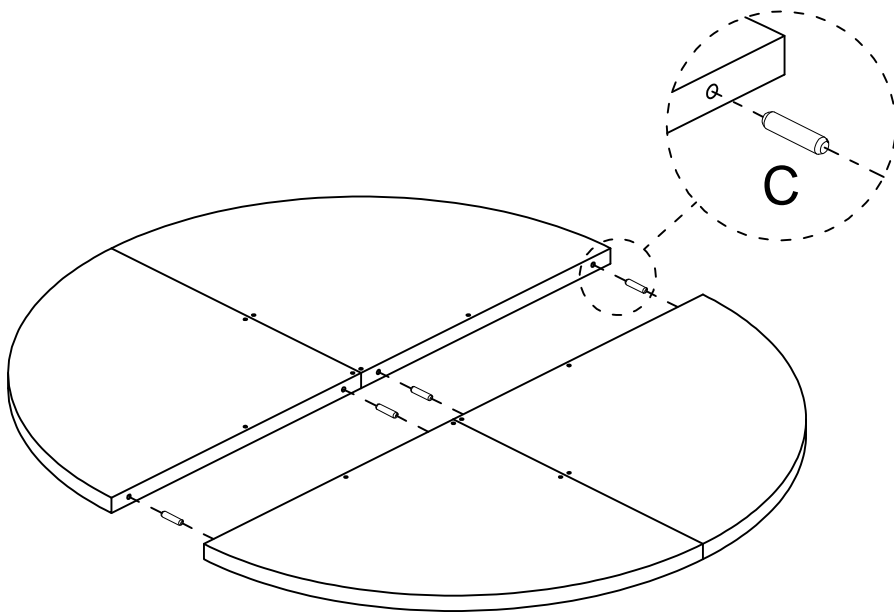
E
1pc

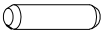
1



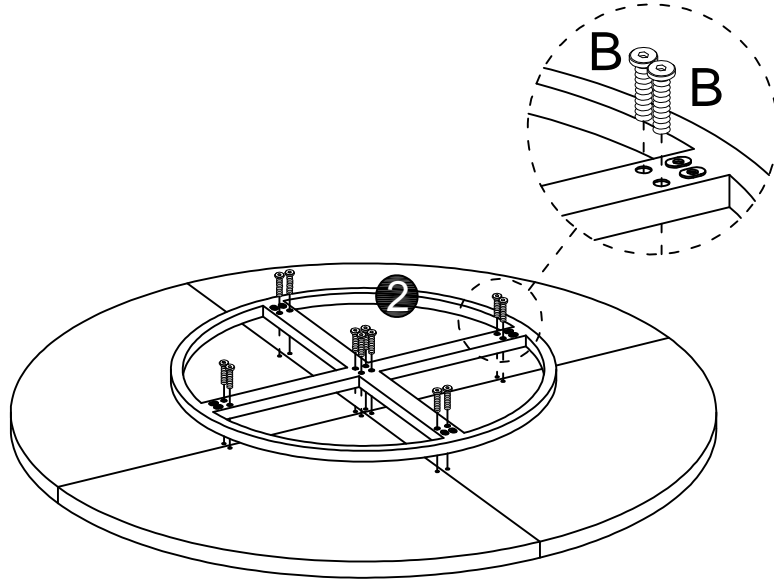

$\varnothing 8 \times 30 \text{mm}$
$\text{C} \times 4 \text{pcs}$

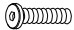
2



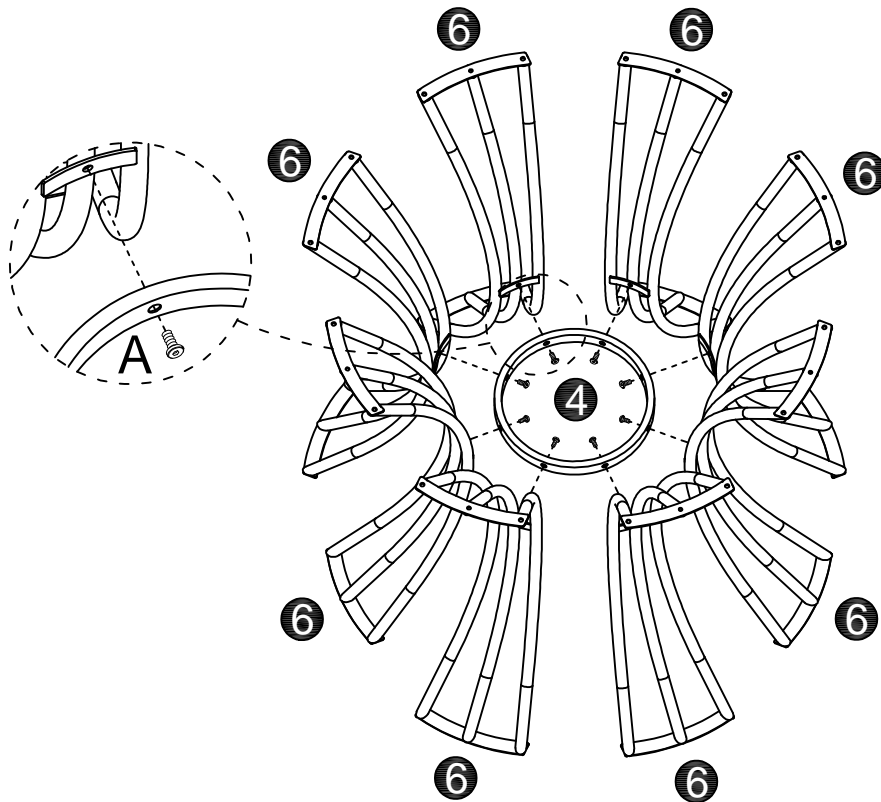

$\varnothing 8 \times 30 \text{mm}$
$\text{C} \times 4 \text{pcs}$

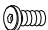
3



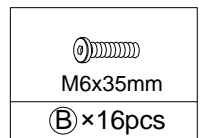
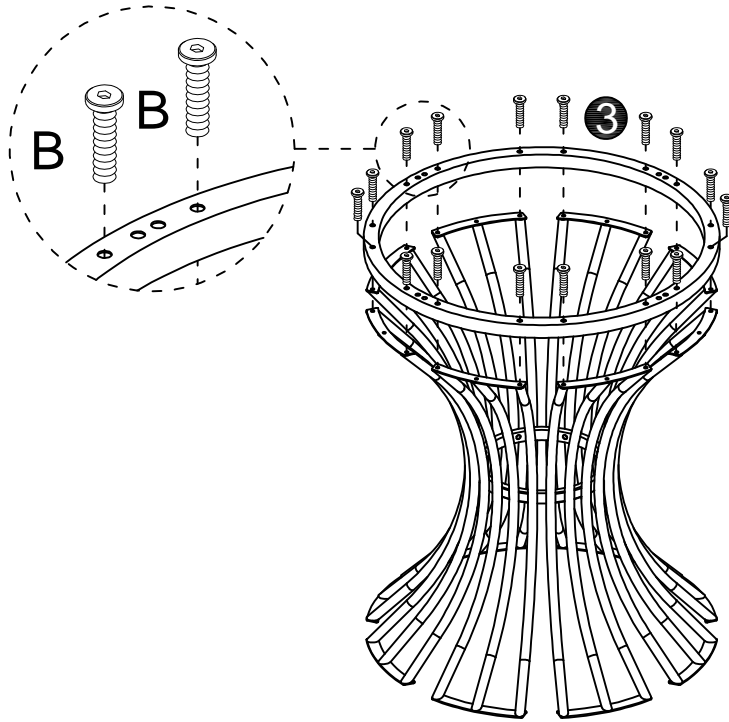
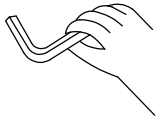

M6x35mm
Ⓑ × 12pcs

4

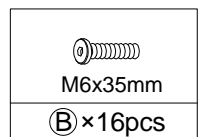
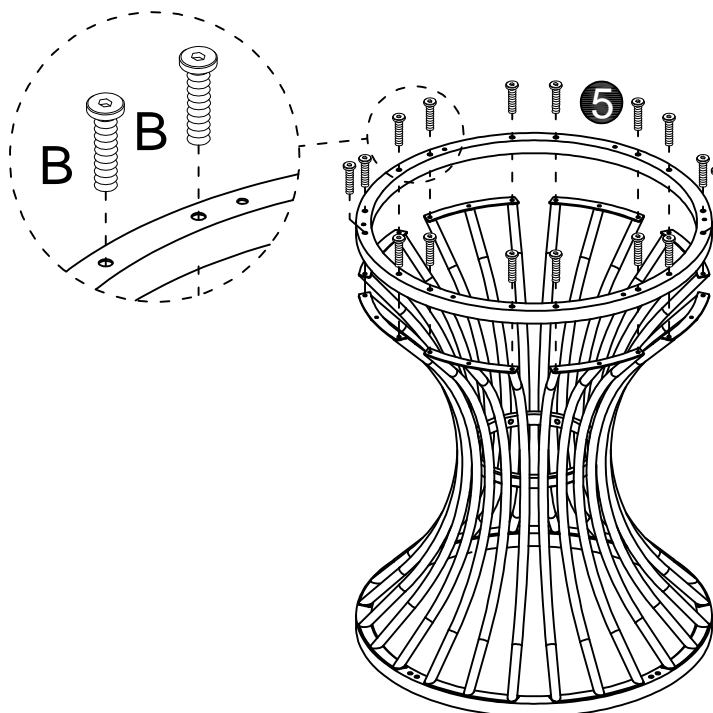
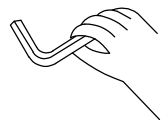



M6x18mm
Ⓐ × 8pcs

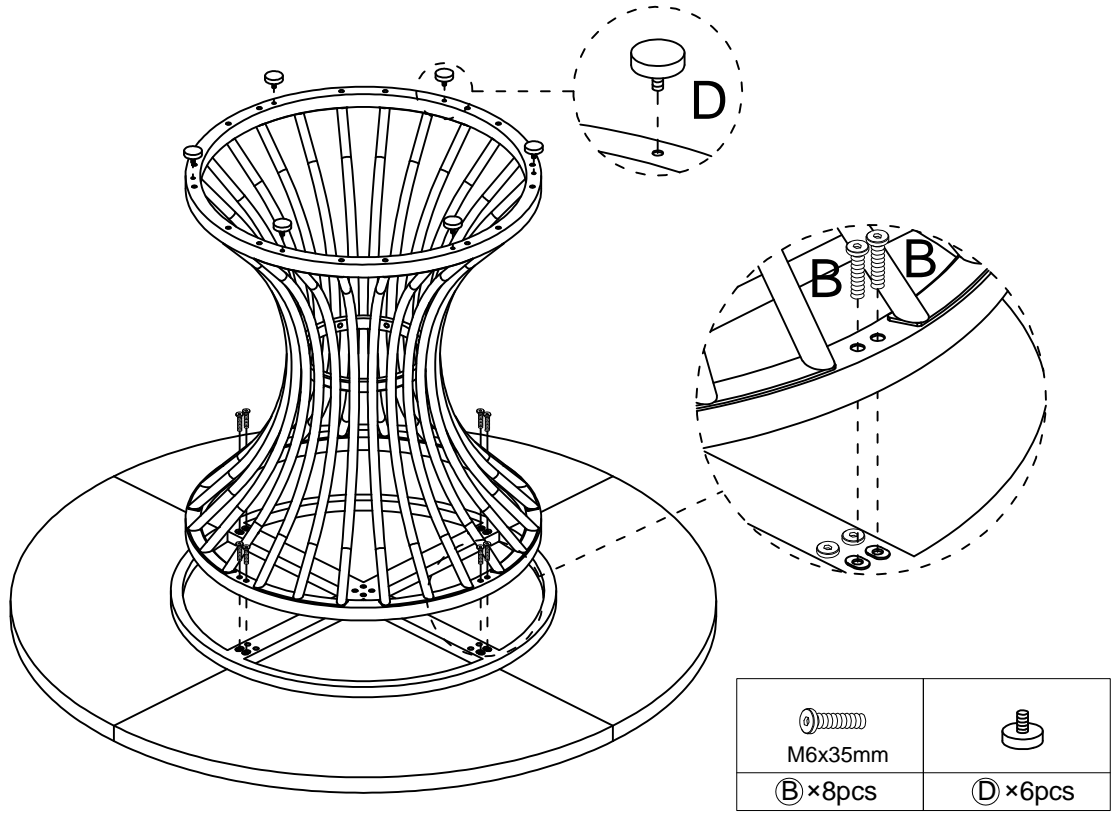
5



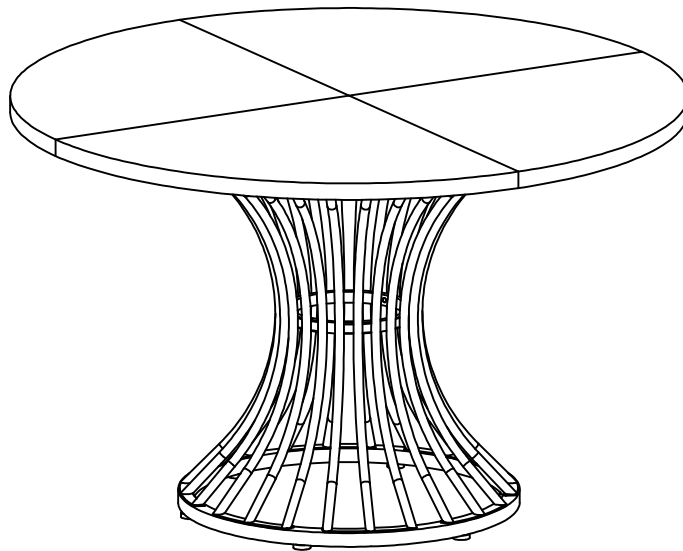
6



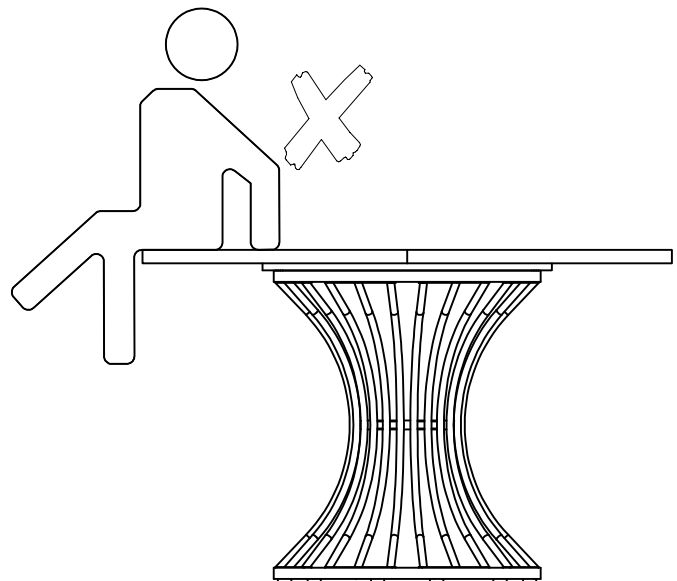
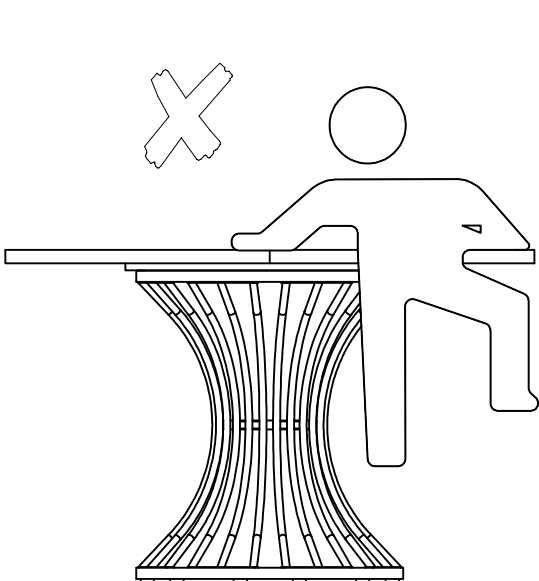
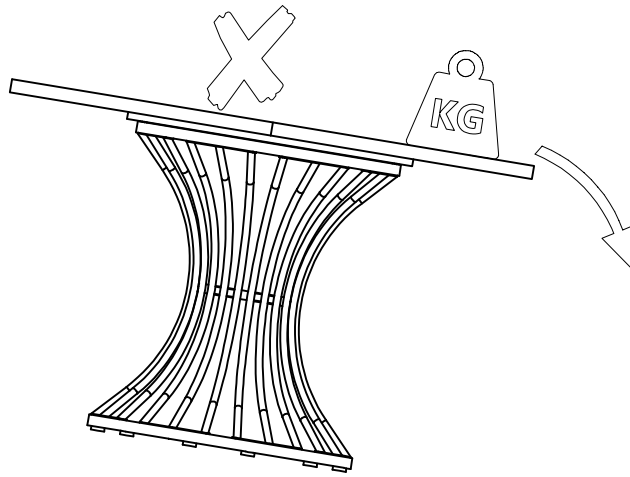
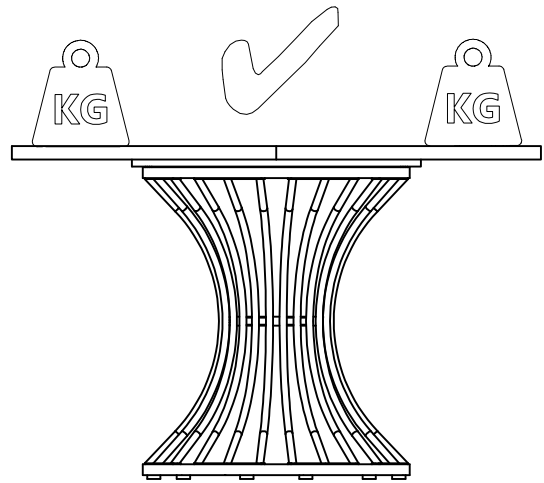
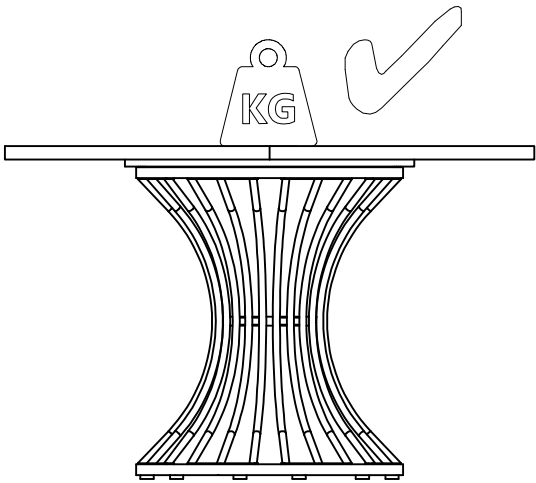
7



8



9



Don't sit or press on the table side.