


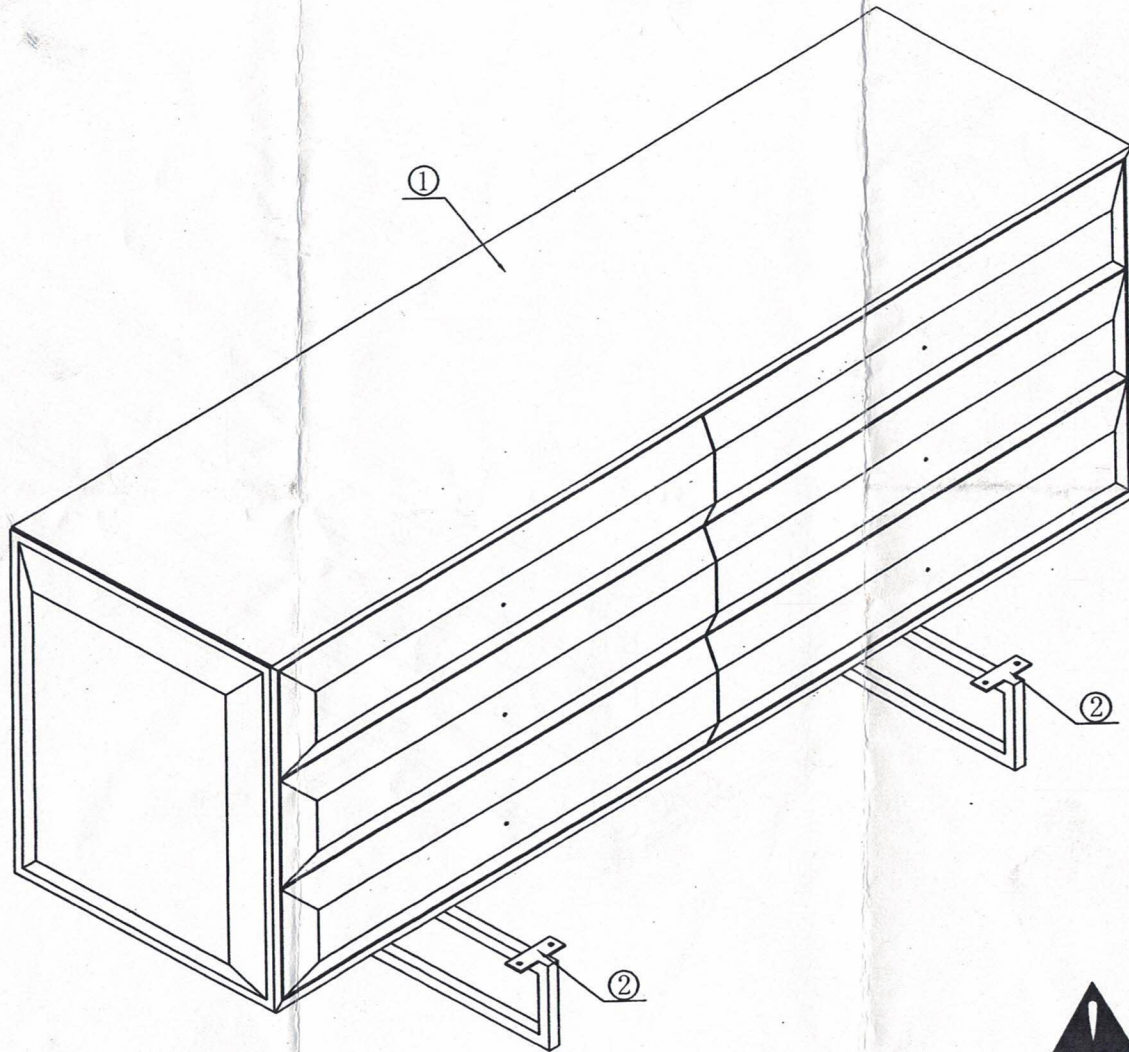


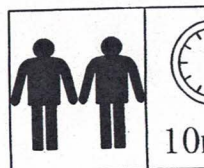
DRESSING TABLE

| No | Part | Qty |
|----|-------------|-----|
| 1 | Night stand | 1 |
| 2 | Steel pipe | 2 |

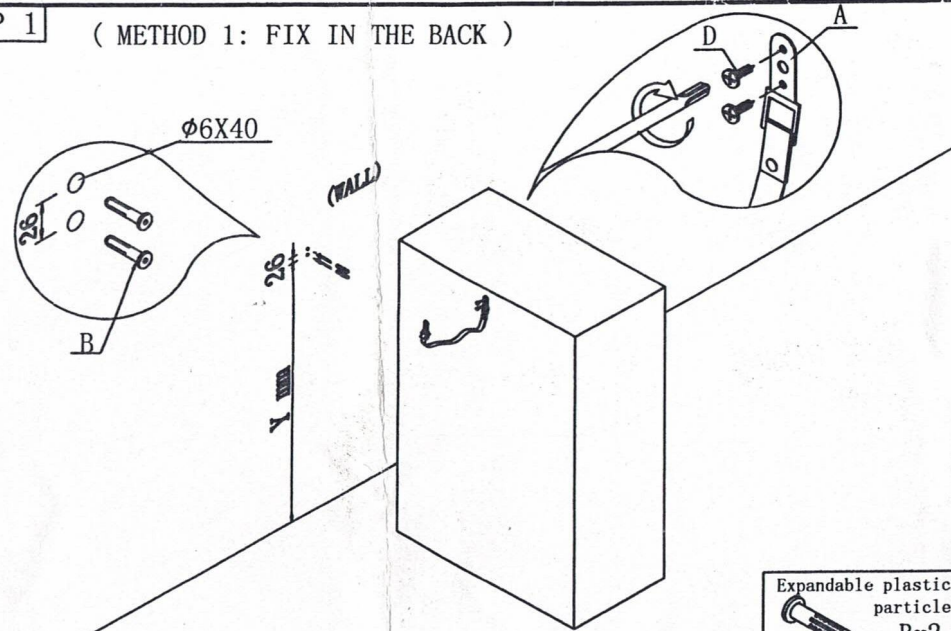
| No | Part | |
|----|---|--|
| A |  Threaded Bolt M8x15 | |
| B |  Gasket M8 | |
| C |  Spanner (5mm) | |



- Please check contents and read instructions before commencing assembly.
- Please use a soft mat to avoid damaging during assembly
- Assemble this article following the enclosed instructions carefully.

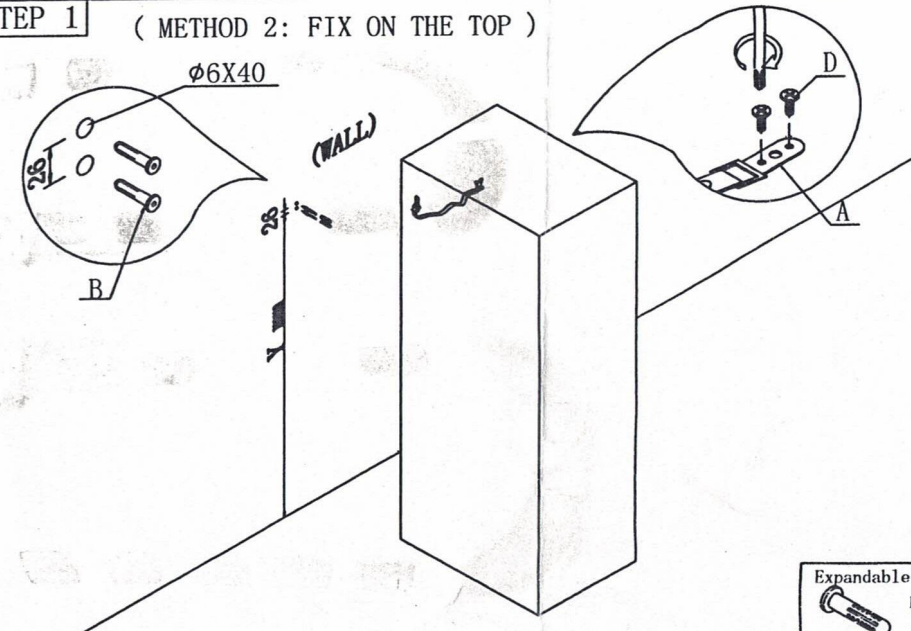


STEP 1 (METHOD 1: FIX IN THE BACK)



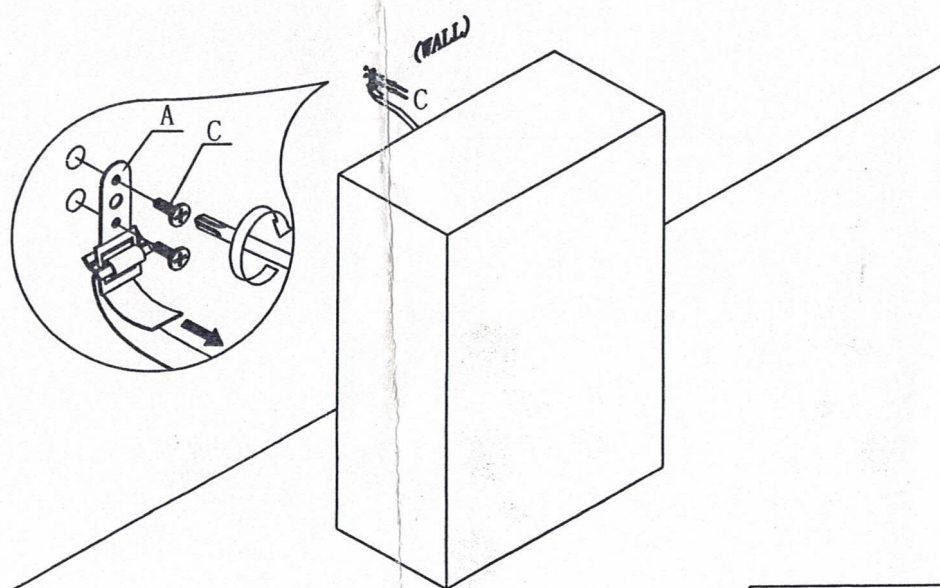
- Furniture safety brackets (500mm) AX1
- Expandable plastic particle Bx2
- Screw $\phi 4 \times 16$ DX2

STEP 1 (METHOD 2: FIX ON THE TOP)



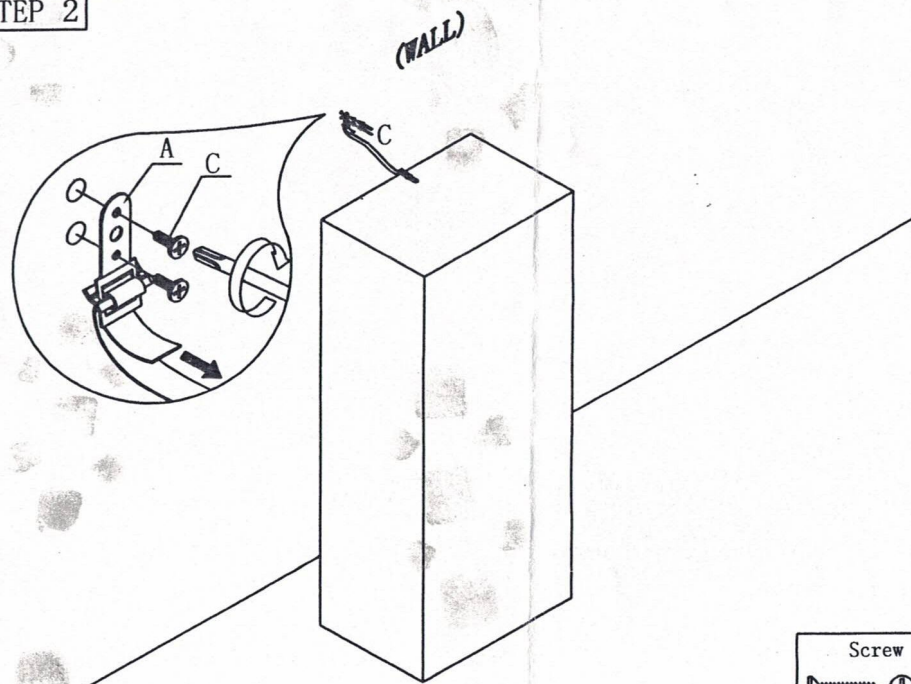
- Furniture safety brackets (500mm) AX1
- Expandable plastic particle Bx2
- Screw $\phi 4 \times 16$ DX2

STEP 2



- Screw $\phi 4 \times 30$ CX2

STEP 2



- Screw $\phi 4 \times 30$ CX2