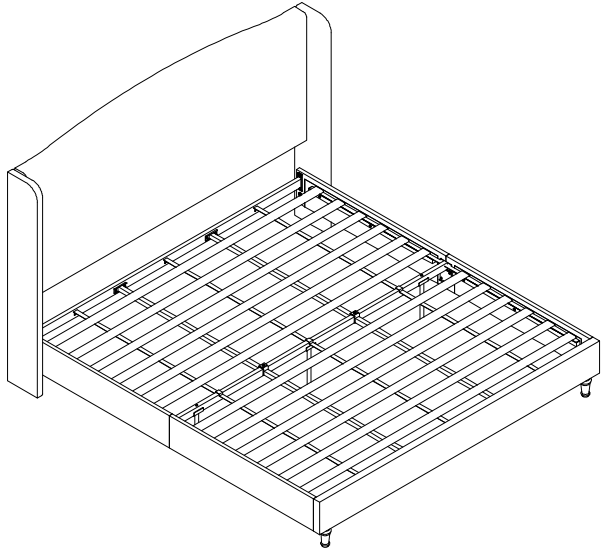
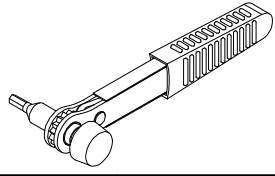


When replacement request, please tell us Component Alphabet and Model Number.

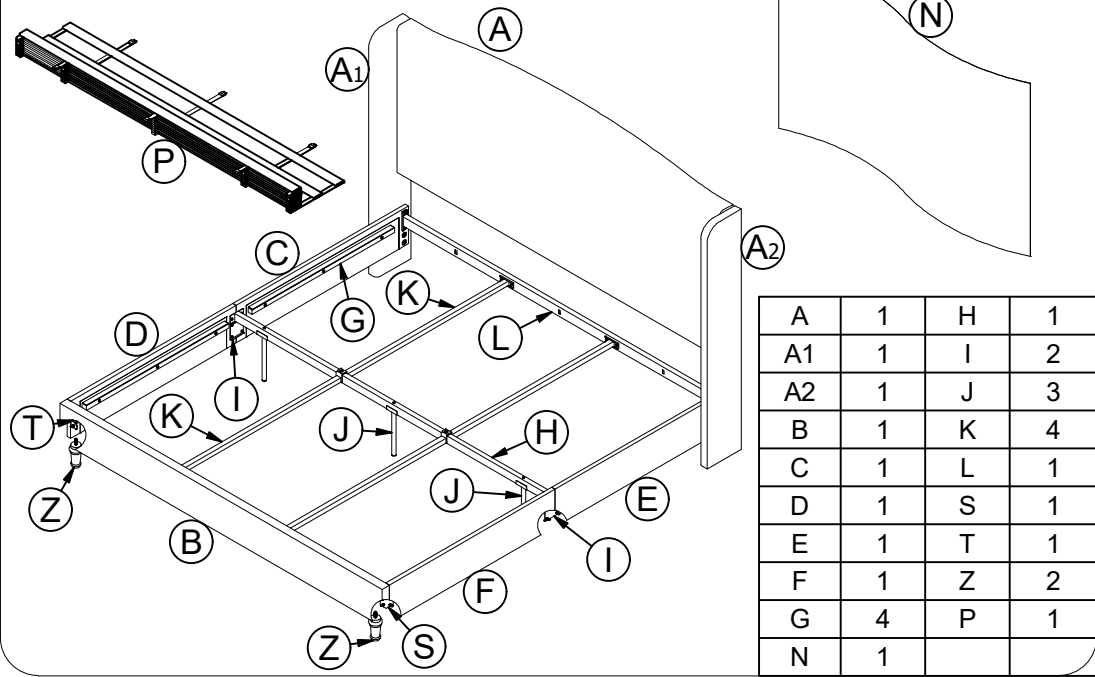
▲ Weight Limit: 1000 LBS / 454 KG



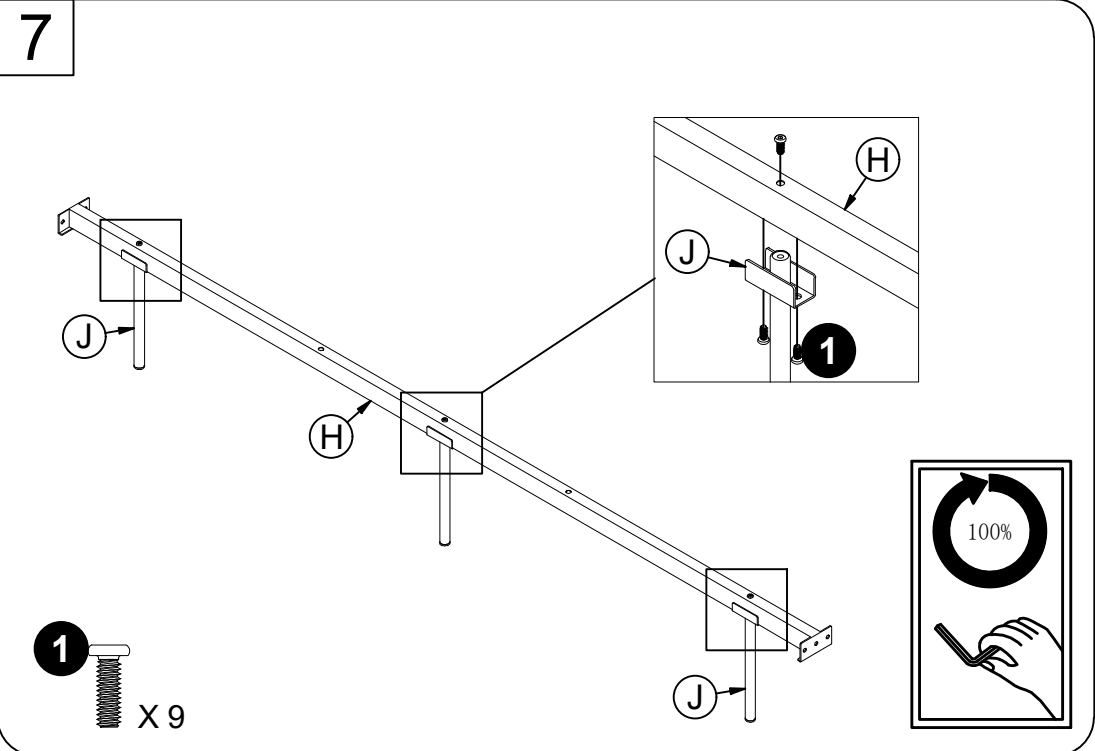
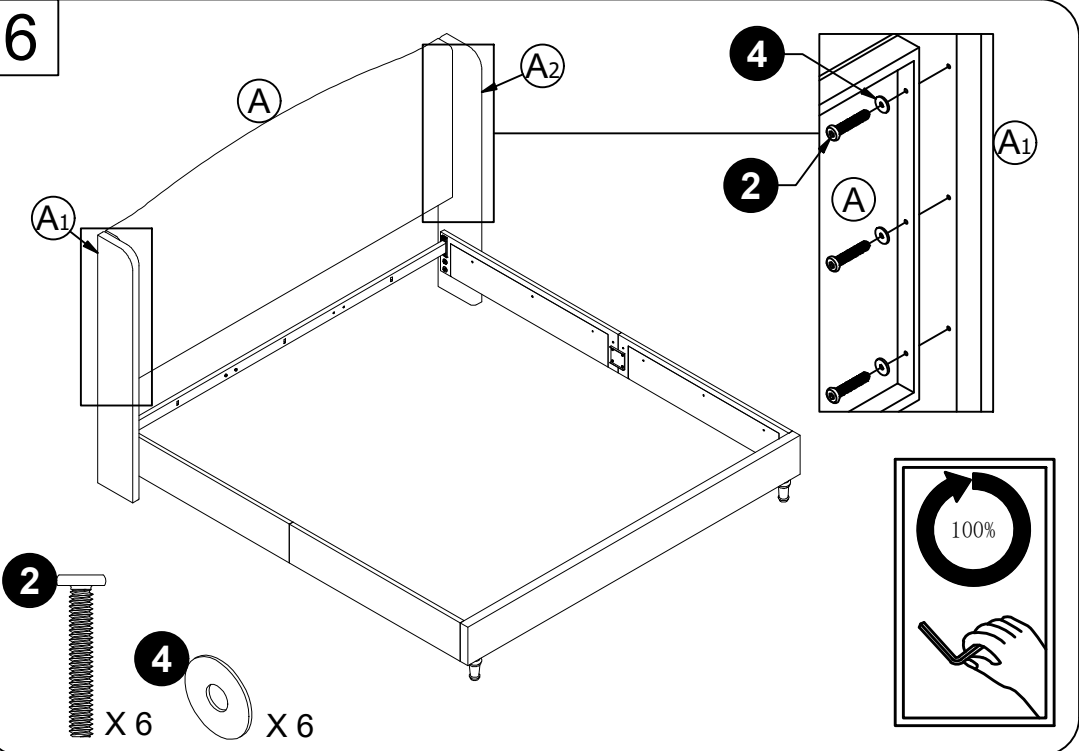
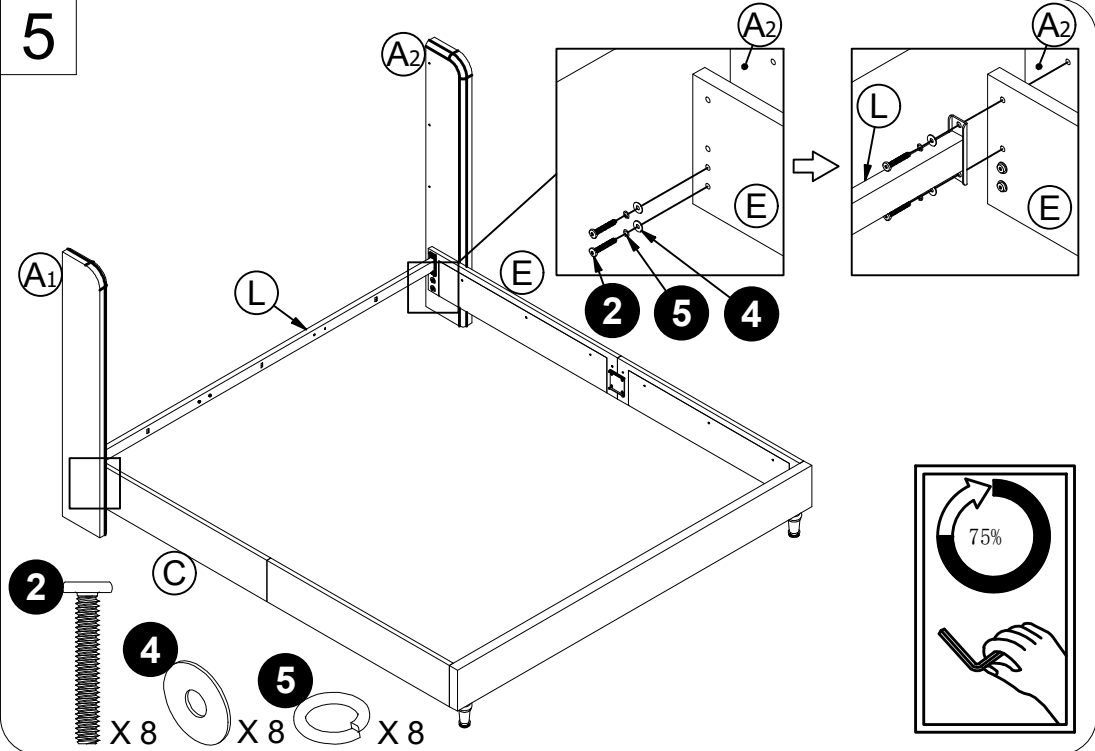
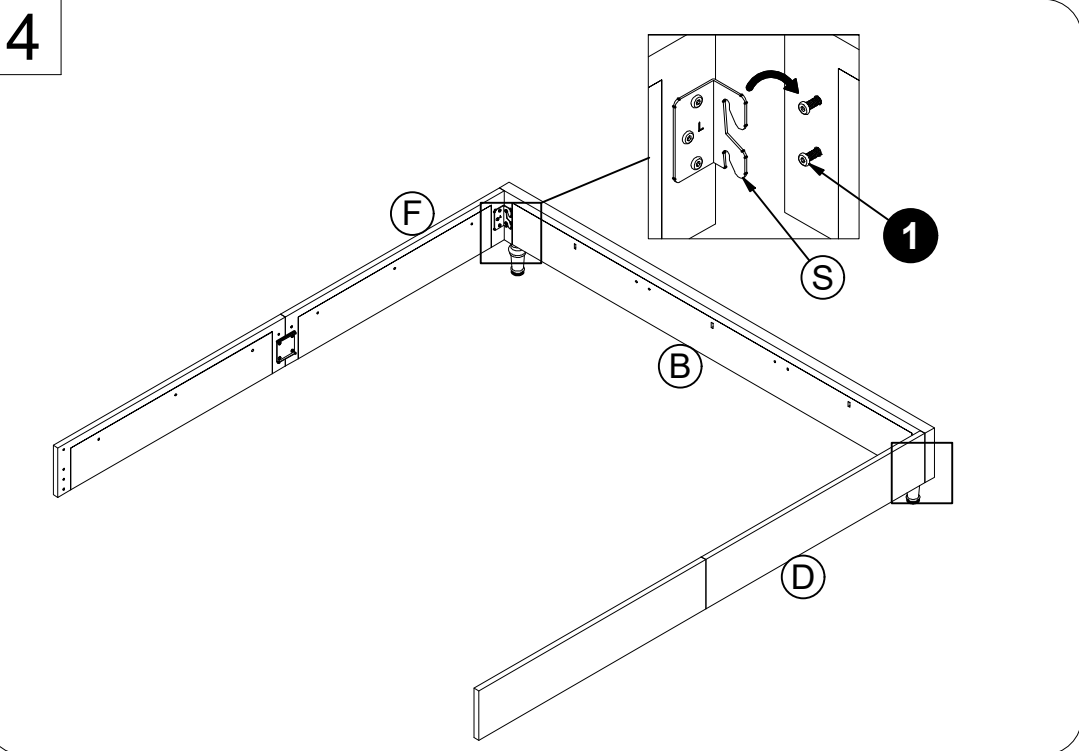
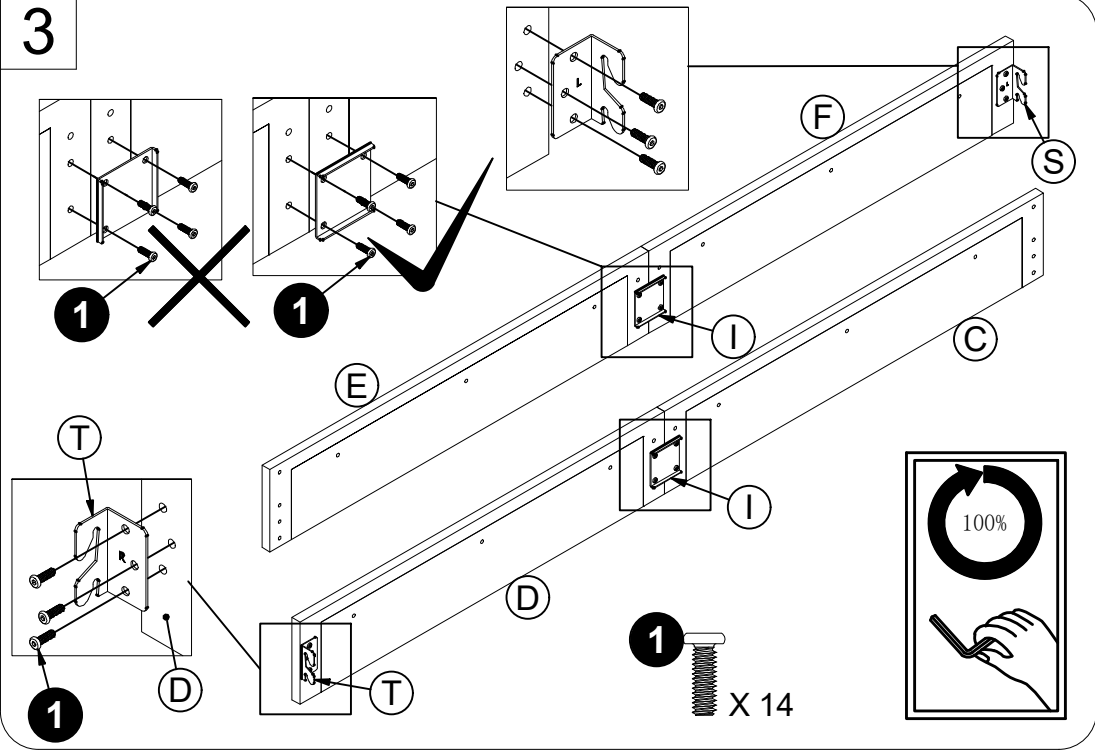
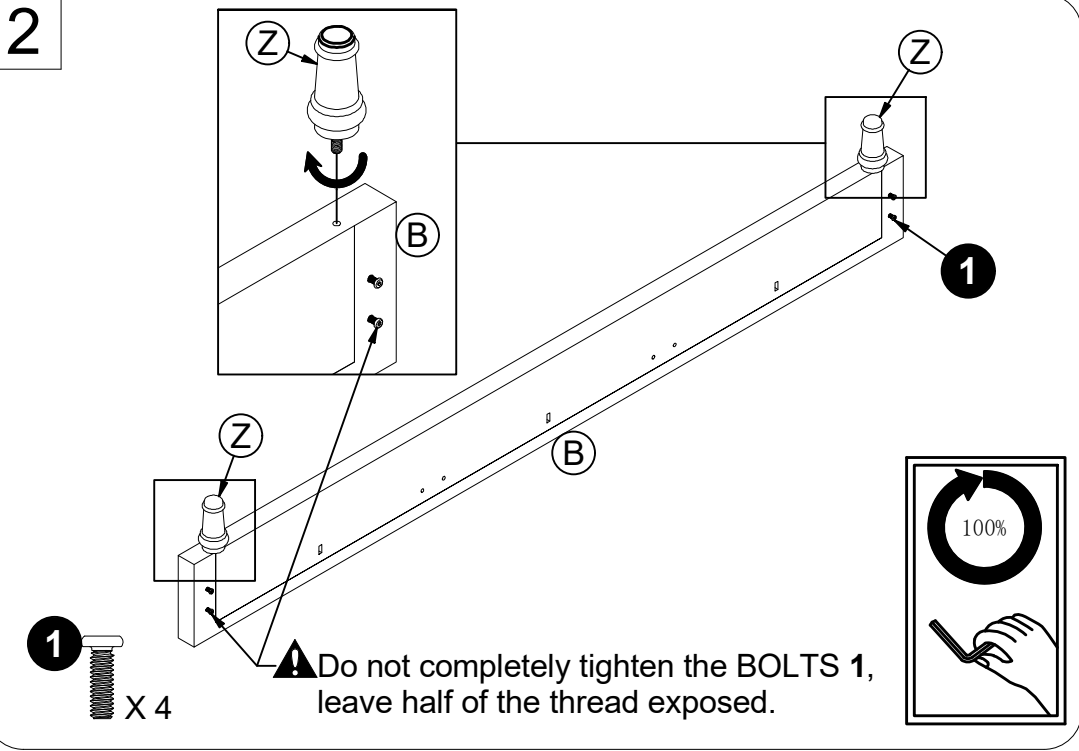
1		1/4" * 3/4"	39
2		1/4" * 1 9/16"	26
3		5/16" * 1 3/16"	2
4		1/4" Washer	14
5		1/4" Spring Washer	8
6		4mm Allen Key	1



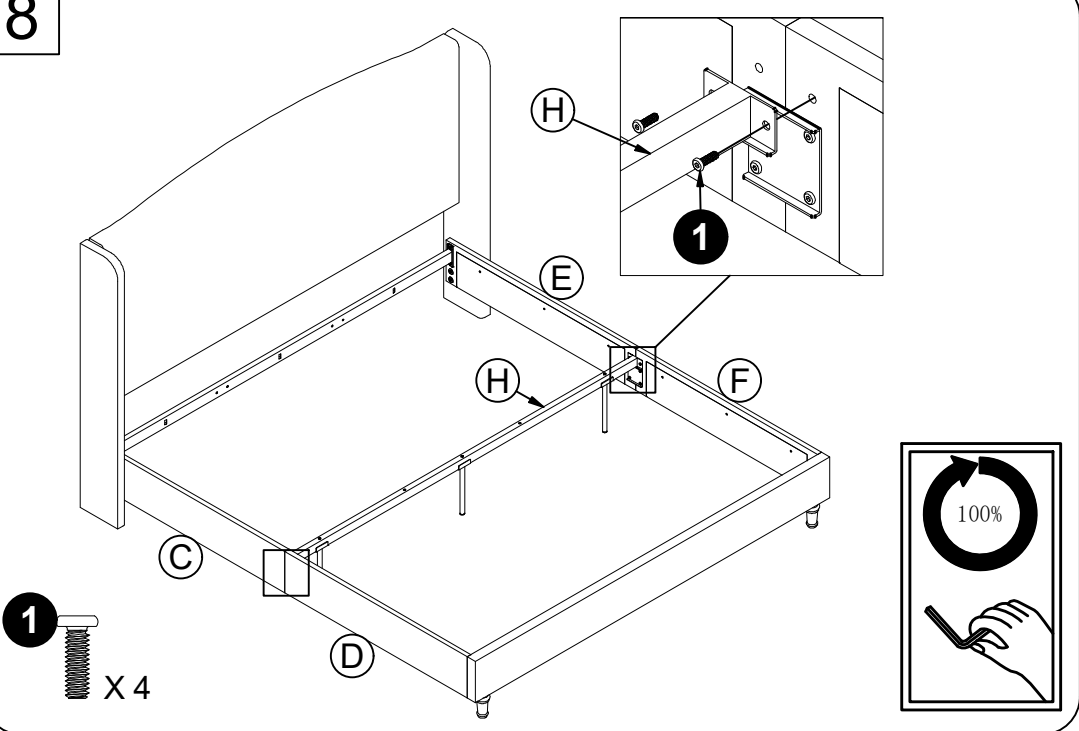
1 Components



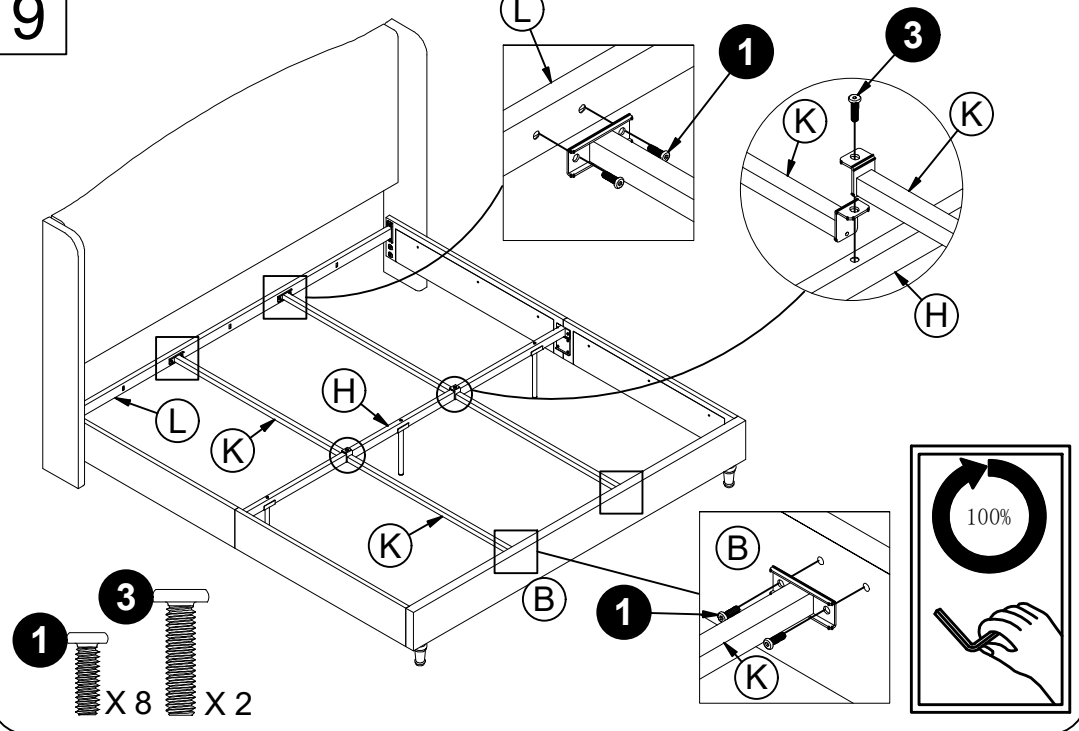
A	1	H	1
A1	1	I	2
A2	1	J	3
B	1	K	4
C	1	L	1
D	1	S	1
E	1	T	1
F	1	Z	2
G	4	P	1
N	1		



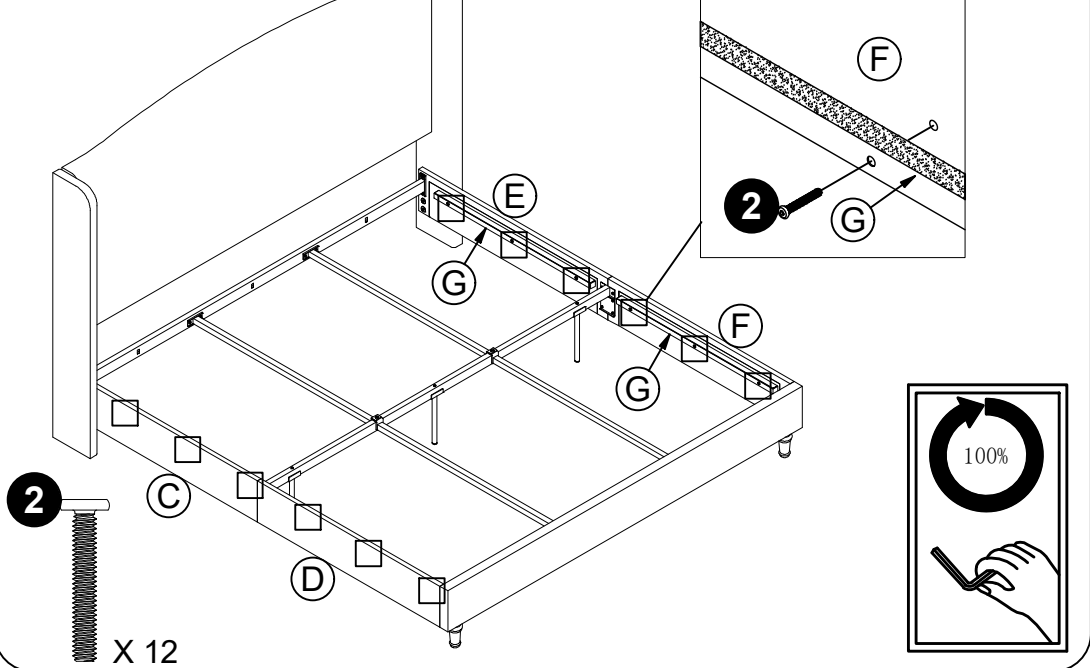
8



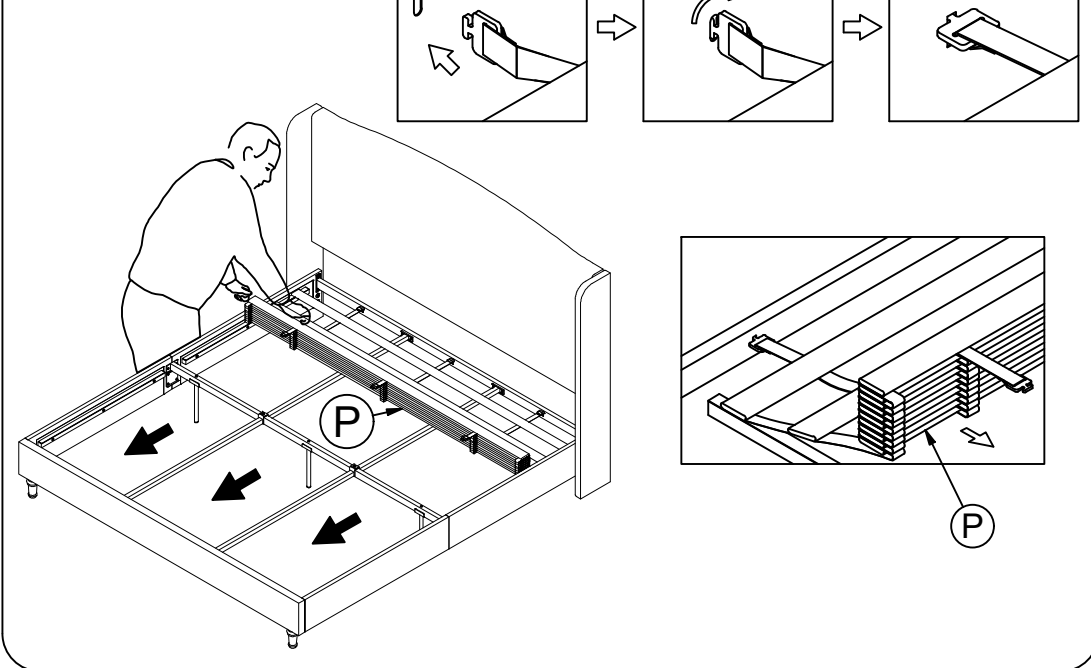
9



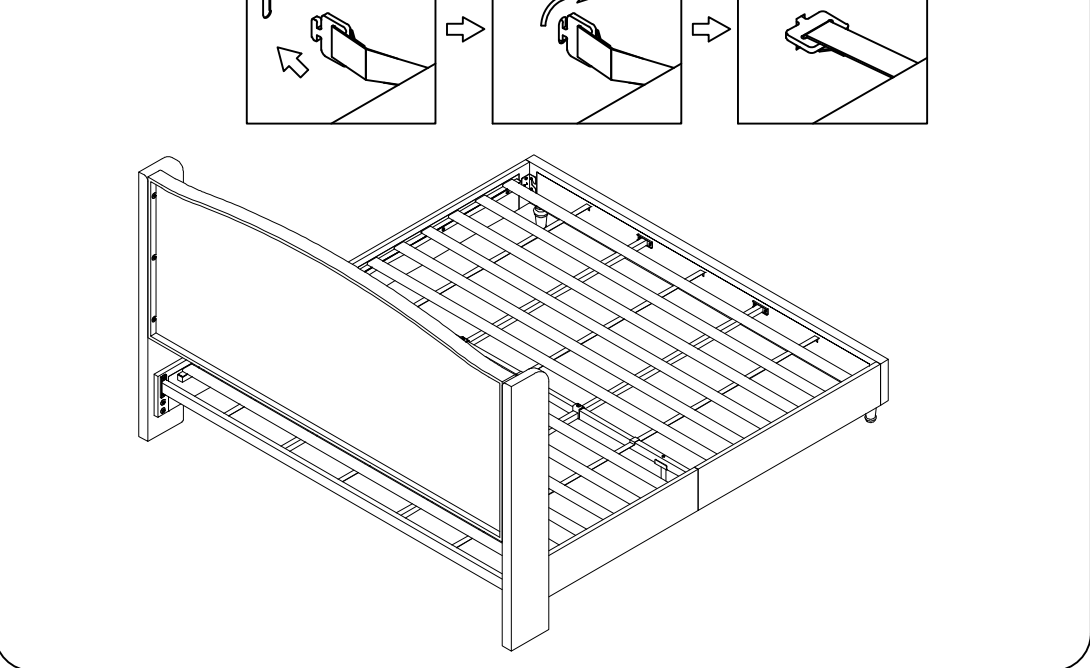
10



11



12



13

