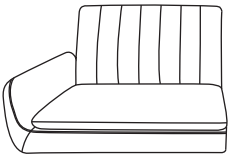


USE AND MAINTENANCE

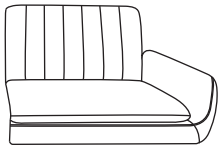
- Use on level surfaces only
- Because this product needs assembly, it is prone to working itself loose from time to time depending on the use. Please take the time to check that all connections are still tight and working properly for safety.
- Only clean using a damp cloth and mild detergent, do not use bleach or abrasive cleaners.

Minimalist Comfort Futon Sofa Bed

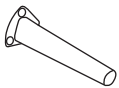
PART LIST



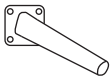
1 - Left Sofa Base x1



2 - Right Sofa Base x1



3 - Side Leg x4



4 - Middle Leg x2

HARDWARE



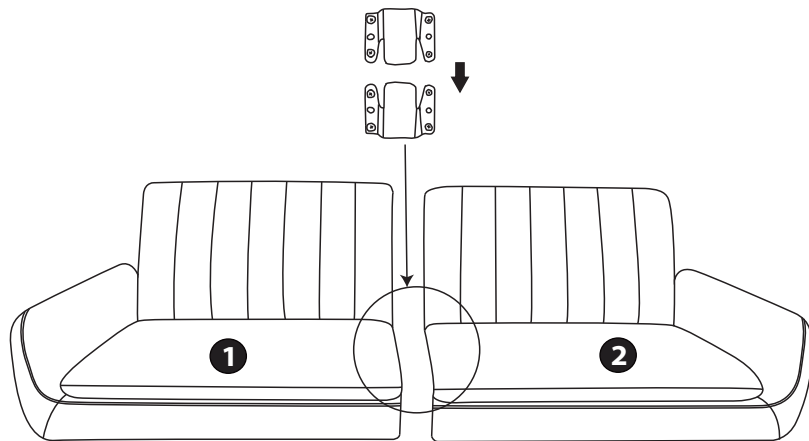
A - Allen Wrench x1



B - Bolt x20+2

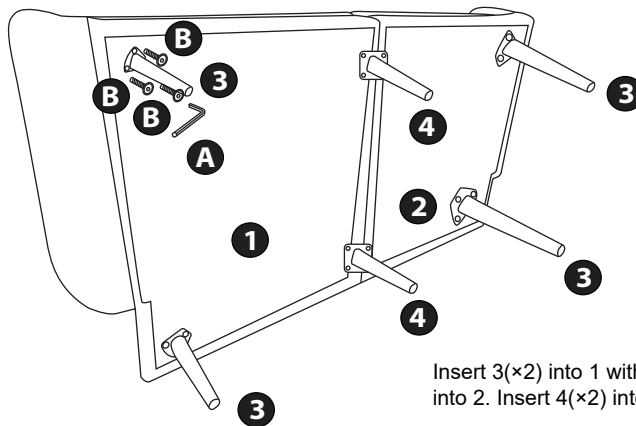
Assembly Instructions

①



Install 1 into 2 with the buckles.

②



Insert 3(x2) into 1 with B(x6). Repeat for 3(x2) into 2. Insert 4(x2) into sofa base with B(x8).

